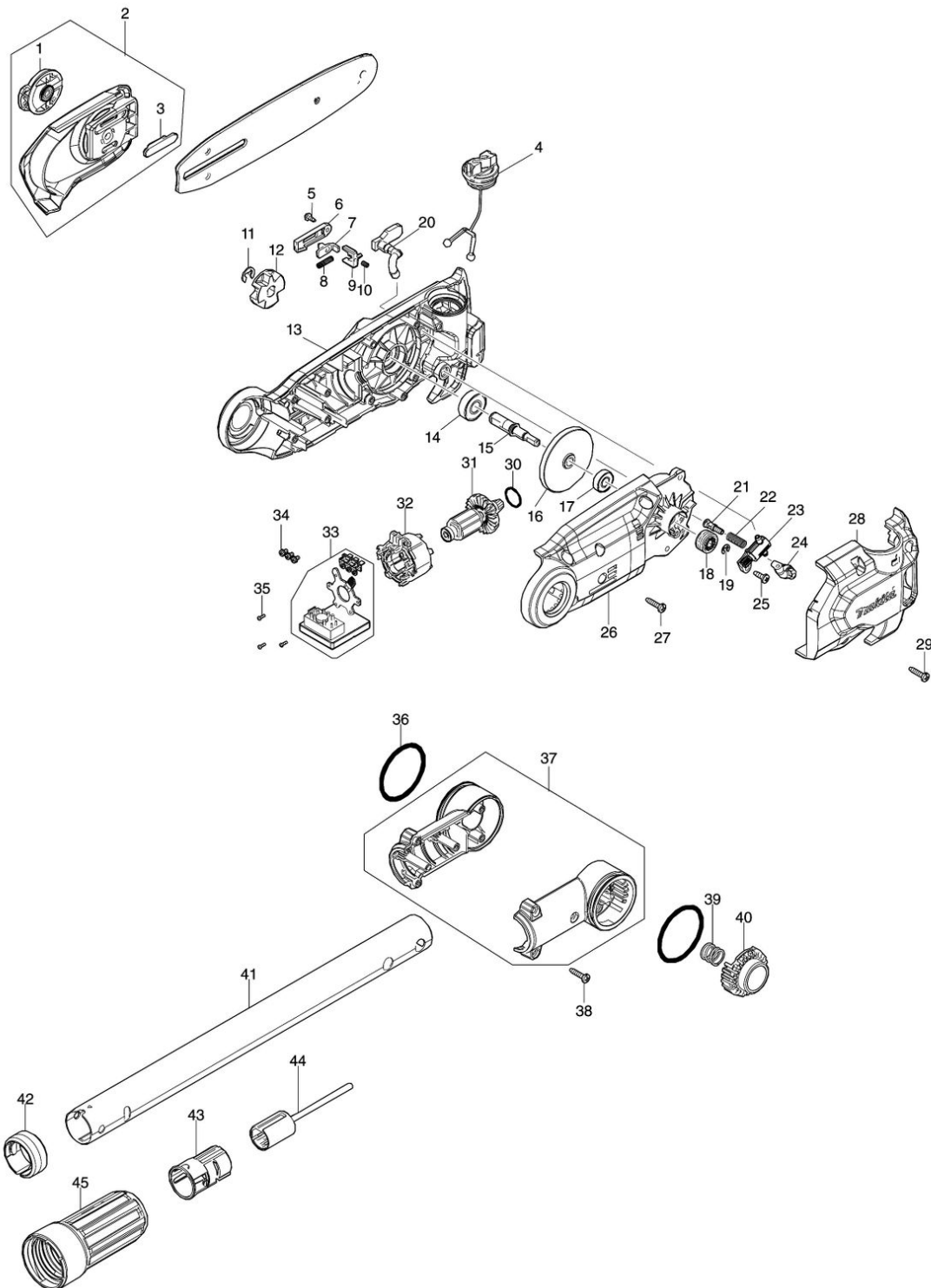


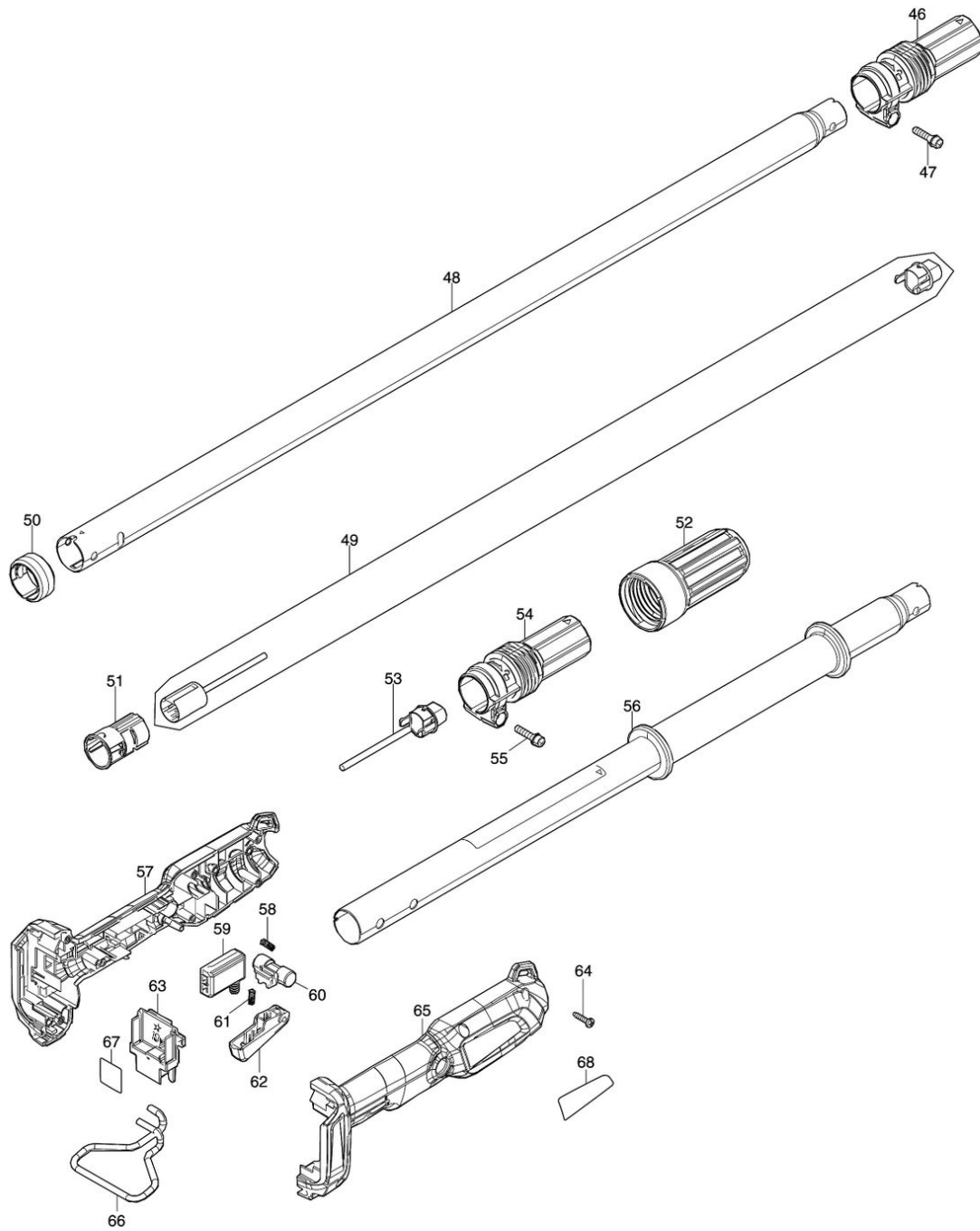
Model No.DUA200 200MM CORDLESS POLE SAW



Nr.	Part nr.	Name
001	1410X3-4	Spanmoerknop DUA200
002	137204-2	Tandwielkap DUA200
003	422833-7	Doorvoer UC016G/017G
004	162A04-7	Tankdop Ea3600 A
004C10	213A11-4	O-Ring 25Mm Ps-352 A
005	266492-5	Tapschroef 3X8Mm Tm3000C P
006	413M03-7	Afdekkap UC100D,DUC101
007	347A69-2	Spanplaat UC100D,DUC101
008	232787-8	Drukveer 4mm UC100D,DUC101
009	413M02-9	Blokkeerschuij UC100D,DUC101
010	233211-4	Drukveer 2 Bfr540/6844
011	961013-5	Stopring E-7
012	227947-5	Kettingwiel 7 DUC306 P
013	1830V8-4	Motorhuisset DUA200
013C10	263005-3	Rubber Pen 6 AC320H P
014	210274-7	Kogellager 6000DDW DUC328
015	327A89-2	As UC100D,DUC101
016	227B67-7	Tandwiel 71 DUA200
017	211166-3	Kogellager 698Ddw
018	226884-0	Wormtandwiel DUC353Z
019	961011-9	Stopring E-4
020	422B78-9	Olieleiding 3-67 DUA200
021	413L02-3	Nippel UC100D,DUC101
022	232774-7	Drukveer 6mm UC100D,DUC101
023	141N25-0	Oliepomp DUA300 A
024	422969-2	Olieleiding 3x25mm DUC101
025	266427-6	Tapschroef 4X12 Ms246.4 P
026	1830V8-4	Motorhuisset DUA200
026C10	263005-3	Rubber Pen 6 AC320H P
027	265B67-9	Tapschr 4x18mm DGA520 A
028	4130P7-3	Motorhuisdeksel R DUA200
029	265B67-9	Tapschr 4x18mm DGA520 A
030	213A05-9	O-ring 16 SP001G
031	619875-2	Anker DUA200
032	629B92-8	Veld DUC101
033	620P39-9	Controller DUA200
034	652069-6	Kruiskop Schroef M3X6
035	266490-9	Parker Ck 2X6Mm DDF483 A
036	213616-4	O-ring 48 DUN461W P
037	1830X0-4	Steelhouder DUA200
038	265B67-9	Tapschr 4x18mm DGA520 A
039	231113-8	Drukveer 12
040	4130P6-5	Ontgrendelknop DUA200
041	327D94-7	Steel A DUA200
042	4130R9-3	Steelbus DUA200
043	687G57-6	Vulring DUA200

<b>Nr.</b>	<b>Part nr.</b>	<b>Name</b>
044	638B00-8	Bedrading A DUA200
045	4130R3-5	Knelmoer DUA200
046	4130R4-3	Knelbus DUA200
046C10	931202-6	Zeskantmoer M5 A
047	922243-3	Inbusbout M5X25mm
048	327D96-3	Steel C DUA200
049	638B02-4	Bedrading C DUA200
050	4130R9-3	Steelbus DUA200
051	687G57-6	Vulring DUA200
052	4130R3-5	Knelmoer DUA200
053	638B01-6	Bedrading B DUA200
054	4130R4-3	Knelbus DUA200
054C10	931202-6	Zeskantmoer M5 A
055	922243-3	Inbusbout M5X25mm
056	1410F3-8	Steel B cpl EU DUA200
056C10	8016N5-5	Label waarsch DUA300
057	1830V7-6	Handgreepset DUA200
057C10	263005-3	Rubber Pen 6 AC320H P
058	231473-8	DRUKVEER 4 P
059	650033-1	Schakelaar C3XA DUH506
060	4130Y0-0	A/U knop A DUA200
061	231473-8	DRUKVEER 4 P
062	4130R8-5	Schakelhendel DUA200
063	643874-2	Aansluitunit Dhp483
064	265B67-9	Tapschr 4x18mm DGA520 A
065	1830V7-6	Handgreepset DUA200
065C10	263005-3	Rubber Pen 6 AC320H P
066	327810-3	Batterijkap DUN461W
067	8147J6-2	Label serienr. DUA200
068	8147J4-6	Label DUA200

Model No.DUA200 200MM CORDLESS POLE SAW



Nr.	Part nr.	Name
001	1410X3-4	Spanmoerknop DUA200
002	137204-2	Tandwielkap DUA200
003	422833-7	Doorvoer UC016G/017G
004	162A04-7	Tankdop Ea3600 A
004C10	213A11-4	O-Ring 25Mm Ps-352 A
005	266492-5	Tapschroef 3X8Mm Tm3000C P
006	413M03-7	Afdekkap UC100D,DUC101
007	347A69-2	Spanplaat UC100D,DUC101
008	232787-8	Drukveer 4mm UC100D,DUC101
009	413M02-9	Blokkeerschuij UC100D,DUC101
010	233211-4	Drukveer 2 Bfr540/6844
011	961013-5	Stopring E-7
012	227947-5	Kettingwiel 7 DUC306 P
013	1830V8-4	Motorhuisset DUA200
013C10	263005-3	Rubber Pen 6 AC320H P
014	210274-7	Kogellager 6000DDW DUC328
015	327A89-2	As UC100D,DUC101
016	227B67-7	Tandwiel 71 DUA200
017	211166-3	Kogellager 698Ddw
018	226884-0	Wormtandwiel DUC353Z
019	961011-9	Stopring E-4
020	422B78-9	Olieleiding 3-67 DUA200
021	413L02-3	Nippel UC100D,DUC101
022	232774-7	Drukveer 6mm UC100D,DUC101
023	141N25-0	Oliepomp DUA300 A
024	422969-2	Olieleiding 3x25mm DUC101
025	266427-6	Tapschroef 4X12 Ms246.4 P
026	1830V8-4	Motorhuisset DUA200
026C10	263005-3	Rubber Pen 6 AC320H P
027	265B67-9	Tapschr 4x18mm DGA520 A
028	4130P7-3	Motorhuisdeksel R DUA200
029	265B67-9	Tapschr 4x18mm DGA520 A
030	213A05-9	O-ring 16 SP001G
031	619875-2	Anker DUA200
032	629B92-8	Veld DUC101
033	620P39-9	Controller DUA200
034	652069-6	Kruiskop Schroef M3X6
035	266490-9	Parker Ck 2X6Mm DDF483 A
036	213616-4	O-ring 48 DUN461W P
037	1830X0-4	Steelhouder DUA200
038	265B67-9	Tapschr 4x18mm DGA520 A
039	231113-8	Drukveer 12
040	4130P6-5	Ontgrendelknop DUA200
041	327D94-7	Steel A DUA200
042	4130R9-3	Steelbus DUA200
043	687G57-6	Vulring DUA200

<b>Nr.</b>	<b>Part nr.</b>	<b>Name</b>
044	638B00-8	Bedrading A DUA200
045	4130R3-5	Knelmoer DUA200
046	4130R4-3	Knelbus DUA200
046C10	931202-6	Zeskantmoer M5 A
047	922243-3	Inbusbout M5X25mm
048	327D96-3	Steel C DUA200
049	638B02-4	Bedrading C DUA200
050	4130R9-3	Steelbus DUA200
051	687G57-6	Vulring DUA200
052	4130R3-5	Knelmoer DUA200
053	638B01-6	Bedrading B DUA200
054	4130R4-3	Knelbus DUA200
054C10	931202-6	Zeskantmoer M5 A
055	922243-3	Inbusbout M5X25mm
056	1410F3-8	Steel B cpl EU DUA200
056C10	8016N5-5	Label waarsch DUA300
057	1830V7-6	Handgreepset DUA200
057C10	263005-3	Rubber Pen 6 AC320H P
058	231473-8	DRUKVEER 4 P
059	650033-1	Schakelaar C3XA DUH506
060	4130Y0-0	A/U knop A DUA200
061	231473-8	DRUKVEER 4 P
062	4130R8-5	Schakelhendel DUA200
063	643874-2	Aansluitunit Dhp483
064	265B67-9	Tapschr 4x18mm DGA520 A
065	1830V7-6	Handgreepset DUA200
065C10	263005-3	Rubber Pen 6 AC320H P
066	327810-3	Batterijkap DUN461W
067	8147J6-2	Label serienr. DUA200
068	8147J4-6	Label DUA200