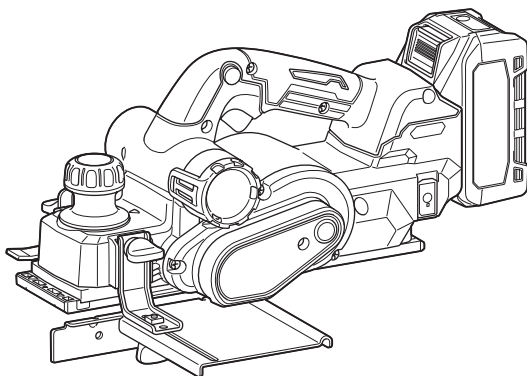




<b>EN</b>	<b>Cordless Planer</b>	<b>INSTRUCTION MANUAL</b>	<b>11</b>
<b>FR</b>	<b>Rabot sans Fil</b>	<b>MANUEL D'INSTRUCTIONS</b>	<b>24</b>
<b>DE</b>	<b>Akku-Hobel</b>	<b>BEDIENUNGSANLEITUNG</b>	<b>38</b>
<b>IT</b>	<b>Piallatrice a batteria</b>	<b>ISTRUZIONI PER L'USO</b>	<b>53</b>
<b>NL</b>	<b>Accuschaaf</b>	<b>GEBRUIKSAANWIJZING</b>	<b>68</b>
<b>ES</b>	<b>Cepillo Inalámbrico</b>	<b>MANUAL DE INSTRUCCIONES</b>	<b>83</b>
<b>PT</b>	<b>Plaina a Bateria</b>	<b>MANUAL DE INSTRUÇÕES</b>	<b>98</b>
<b>DA</b>	<b>Batteridrevet høvl</b>	<b>BRUGSANVISNING</b>	<b>112</b>
<b>EL</b>	<b>Πλάνη μπαταρίας</b>	<b>ΕΓΧΕΙΡΙΔΙΟ ΟΔΗΓΙΩΝ</b>	<b>125</b>
<b>TR</b>	<b>Akülü Planya</b>	<b>KULLANMA KILAVUZU</b>	<b>141</b>

## KP001G



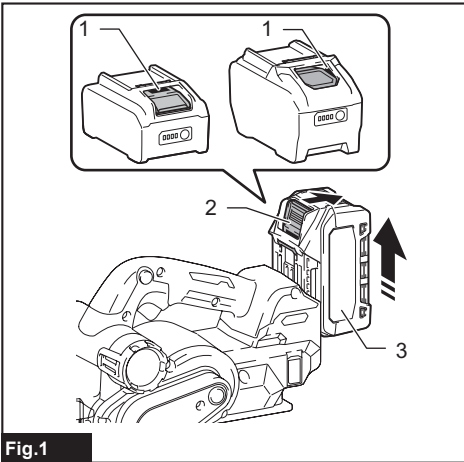


Fig.1

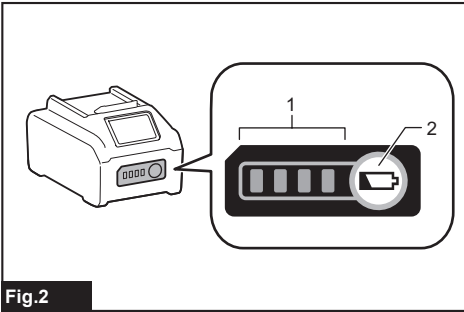


Fig.2

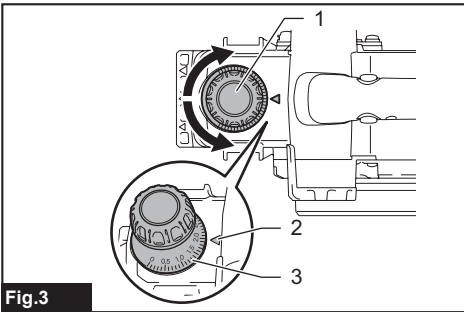


Fig.3

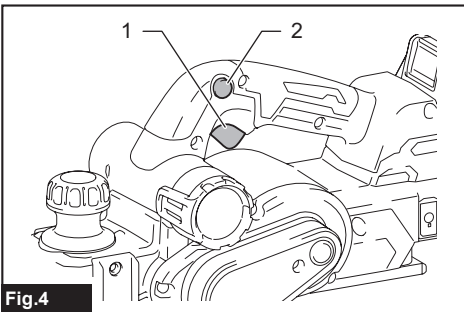


Fig.4

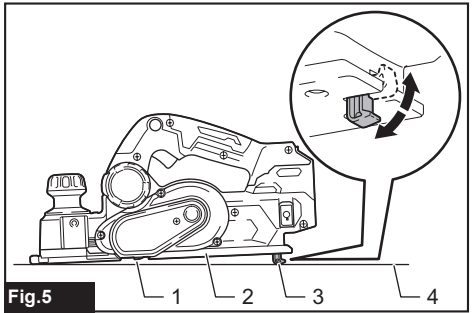


Fig.5

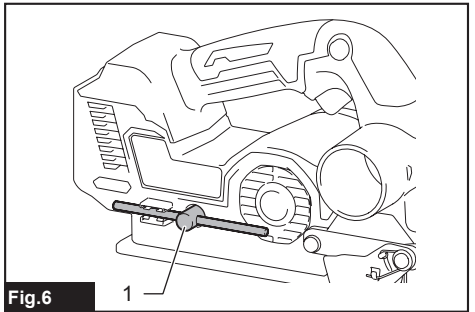


Fig.6

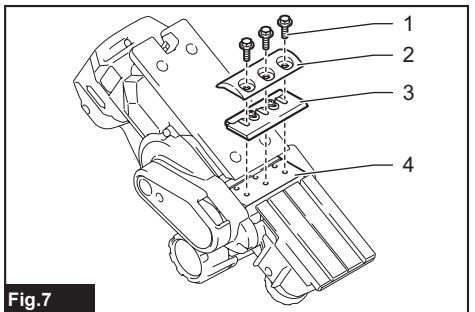


Fig.7

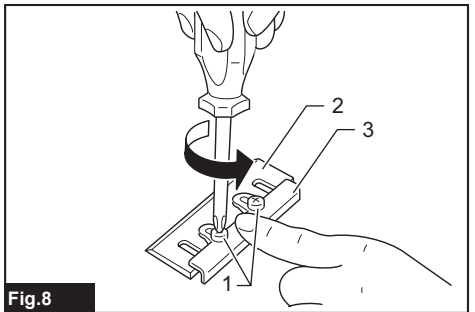


Fig.8

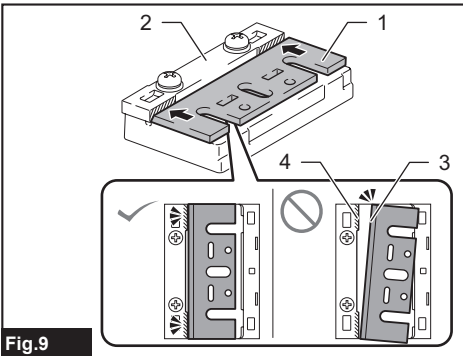


Fig.9

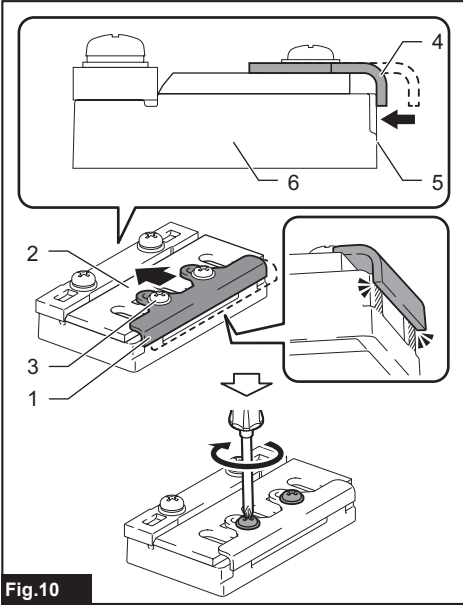


Fig.10

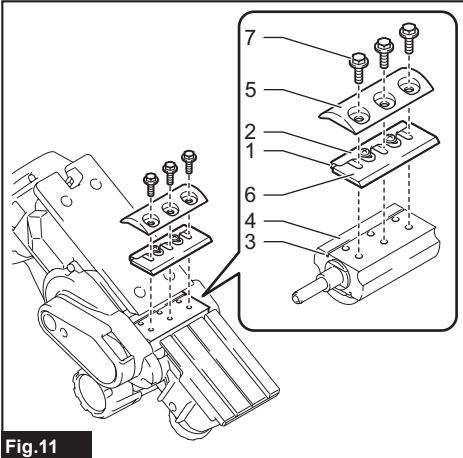


Fig.11

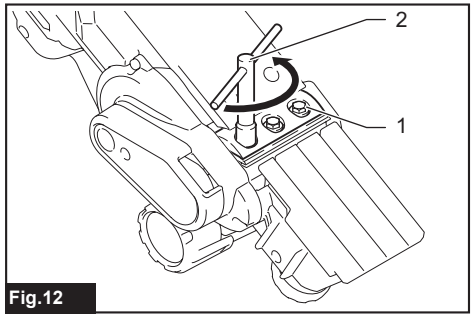


Fig.12

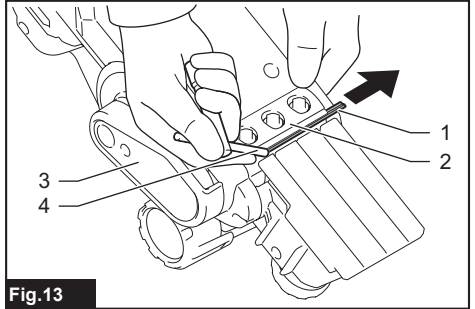


Fig.13

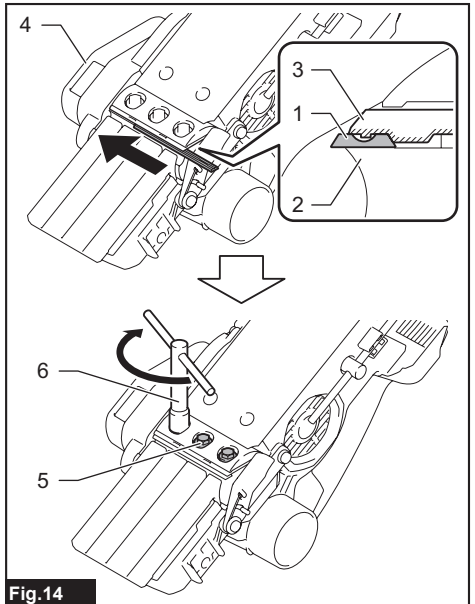


Fig.14

Fig.15

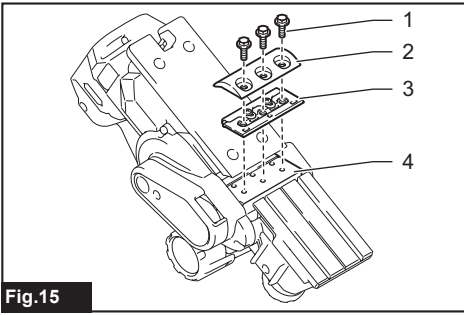


Fig.16

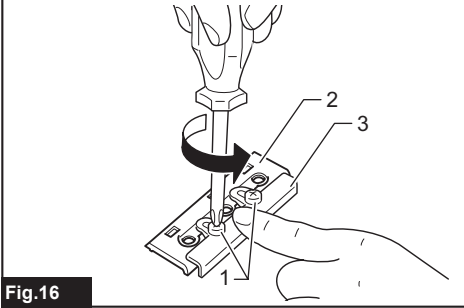


Fig.17

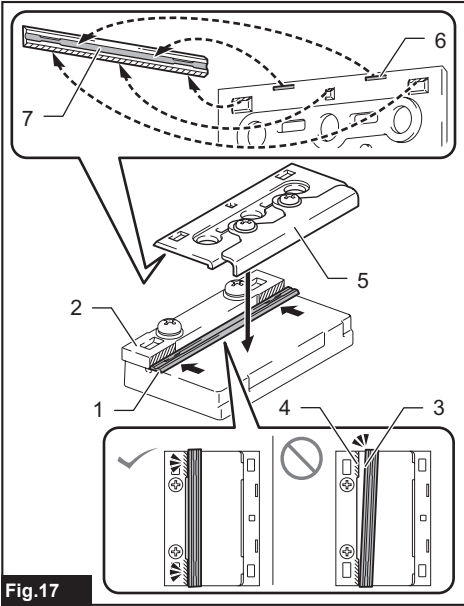


Fig.18

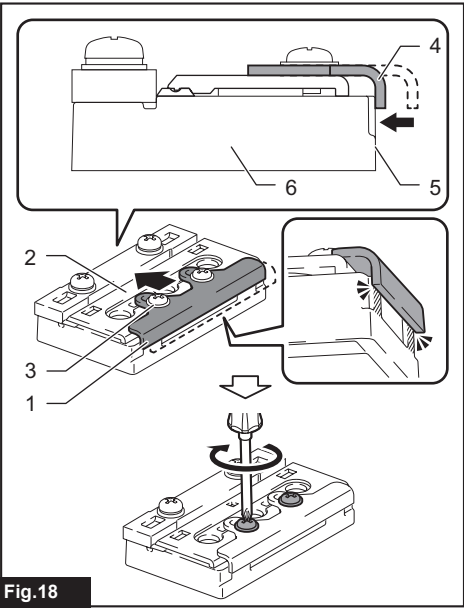
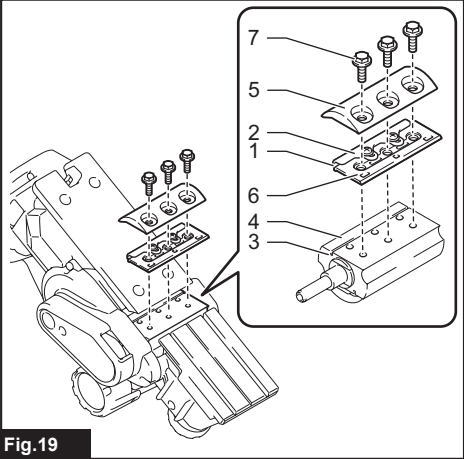


Fig.19





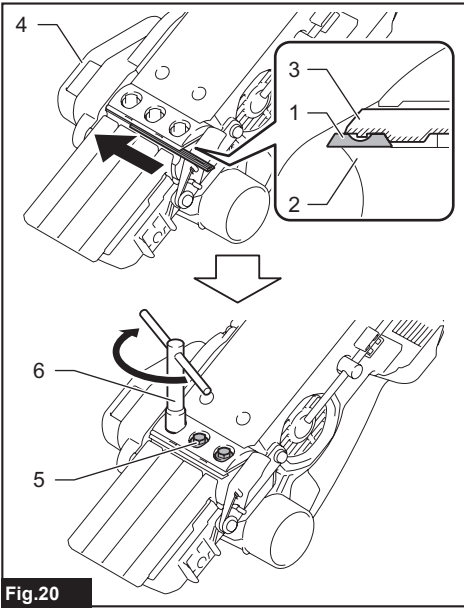


Fig. 20

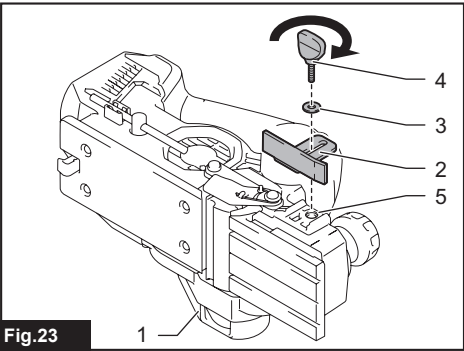


Fig. 23

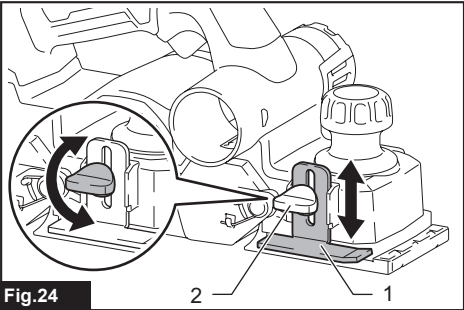


Fig. 24

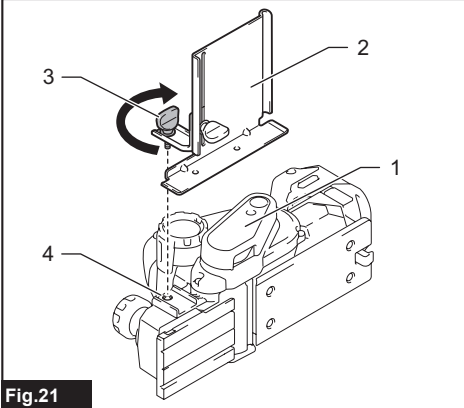


Fig. 21

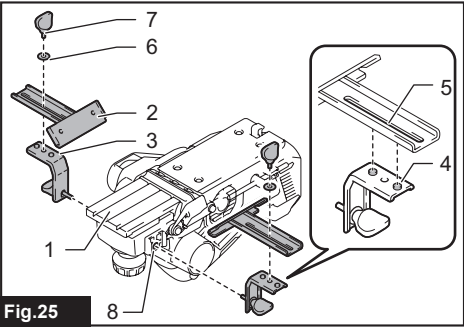


Fig. 25

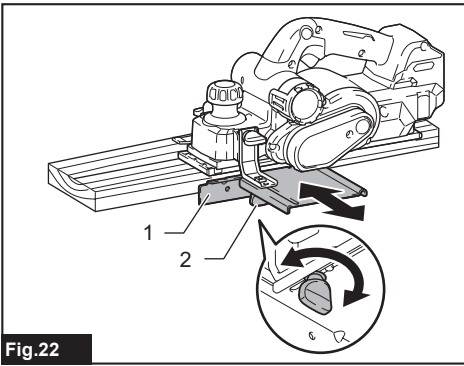


Fig. 22

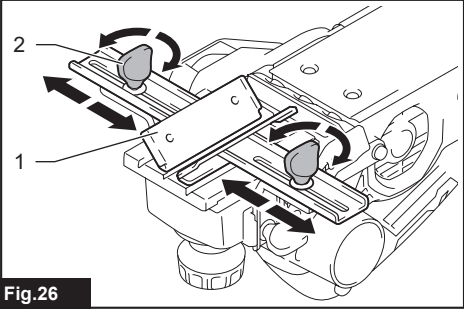
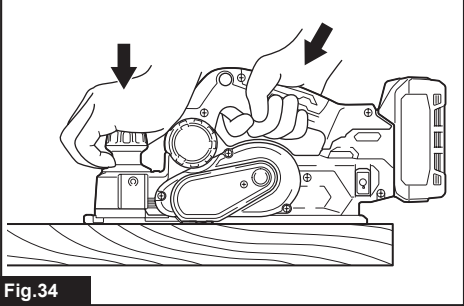
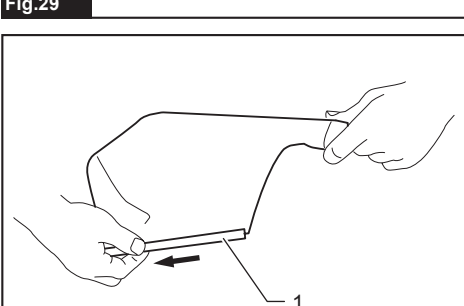
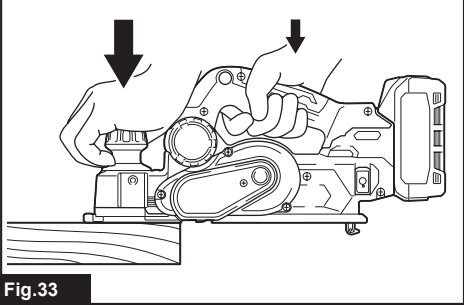
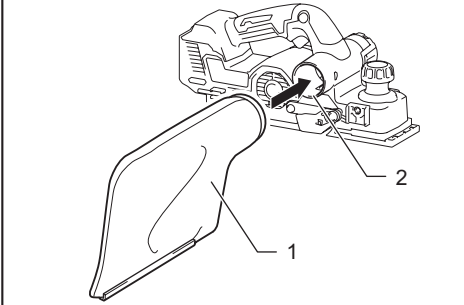
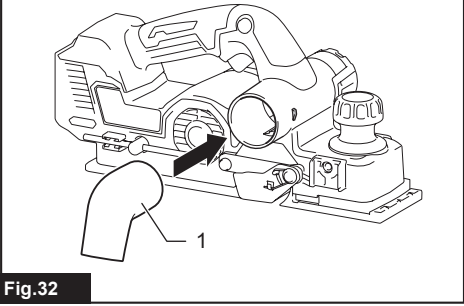
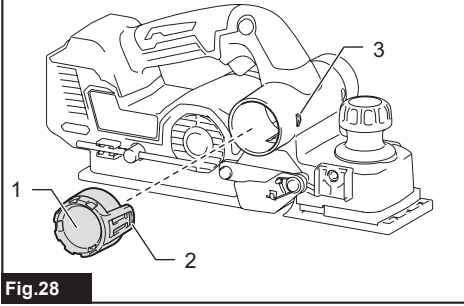
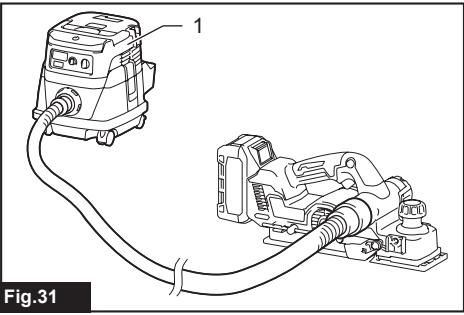
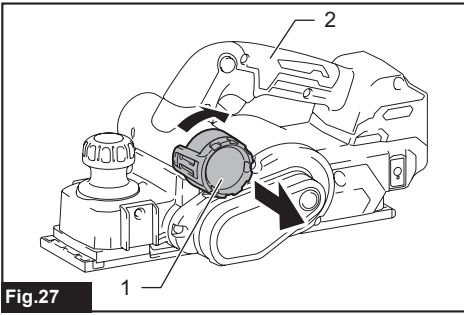


Fig. 26



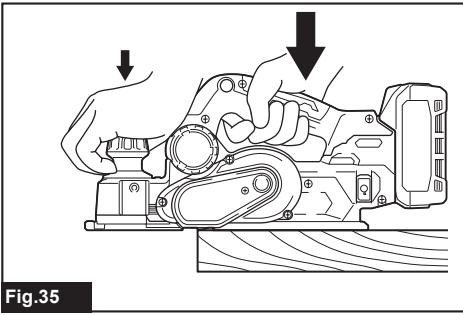


Fig.35

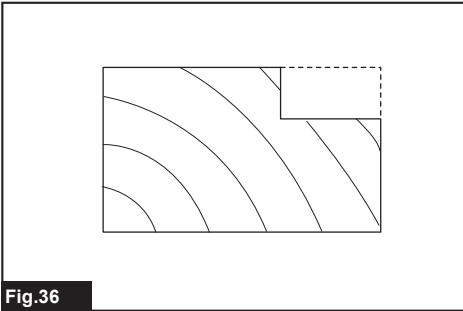


Fig.36

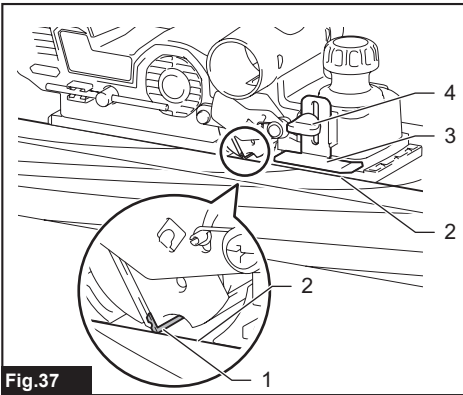


Fig.37

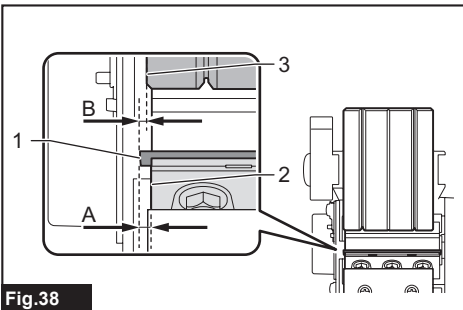


Fig.38

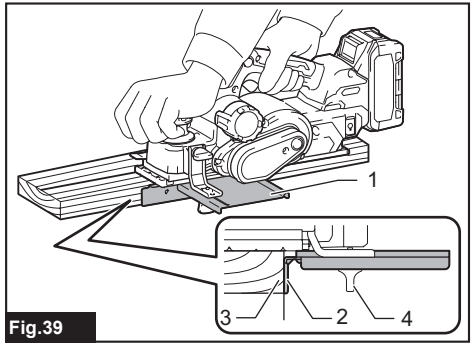


Fig.39

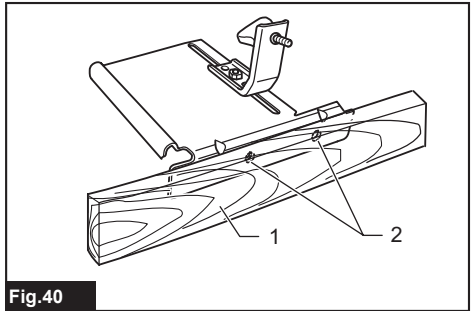


Fig.40

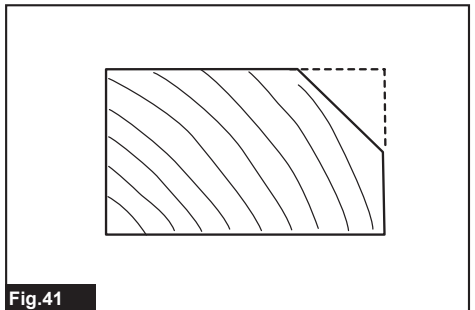


Fig.41

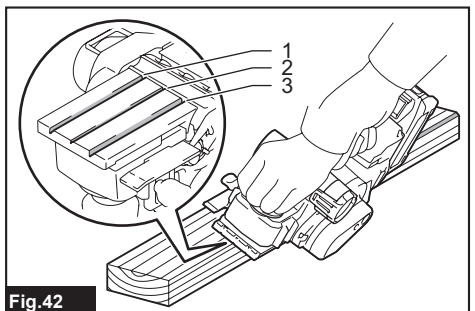


Fig.42

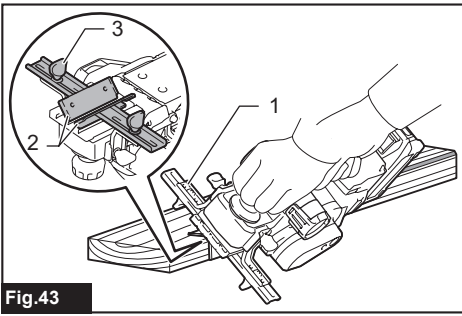


Fig.43

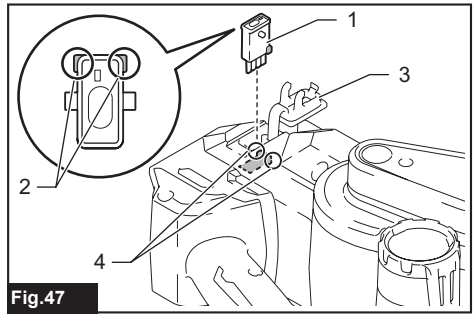


Fig.47

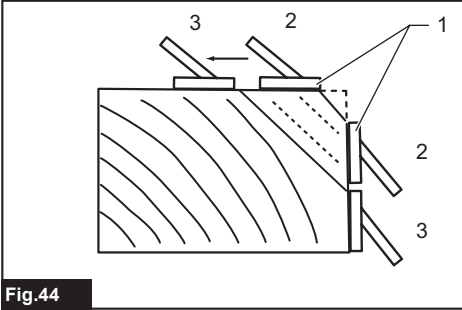


Fig.44

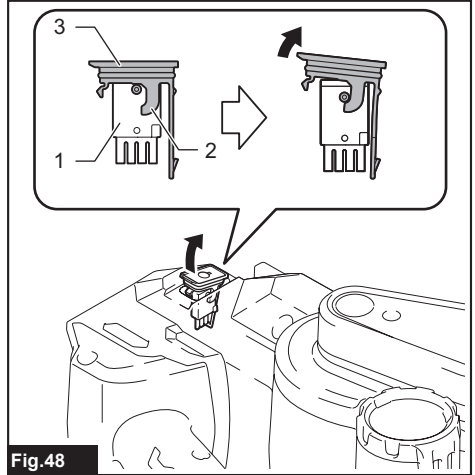


Fig.48

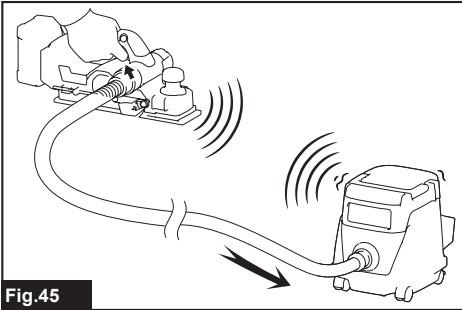


Fig.45

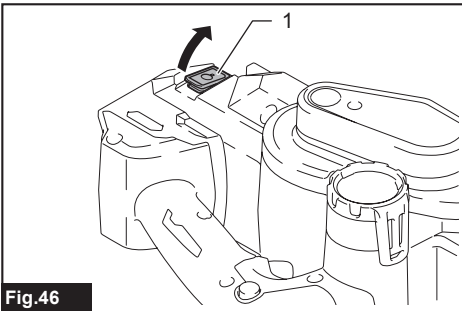


Fig.46

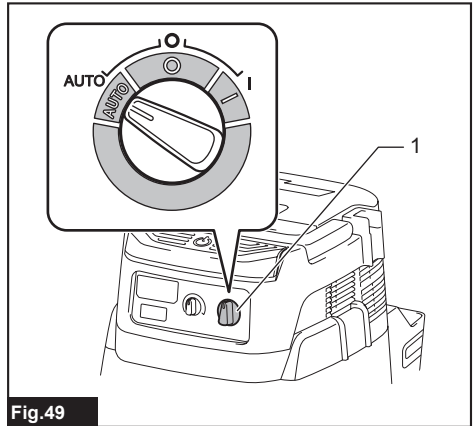


Fig.49

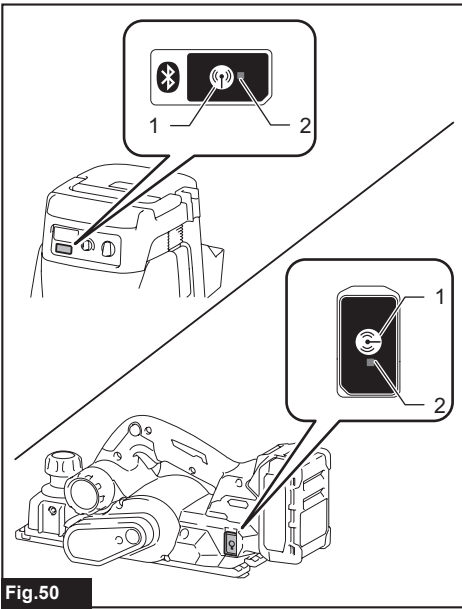


Fig.50

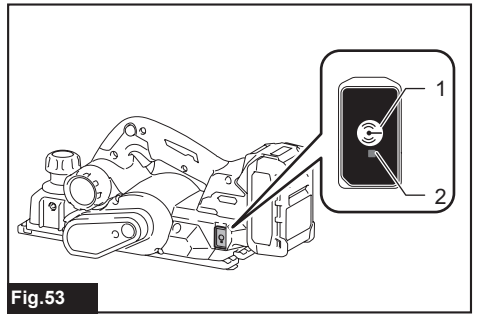


Fig.53

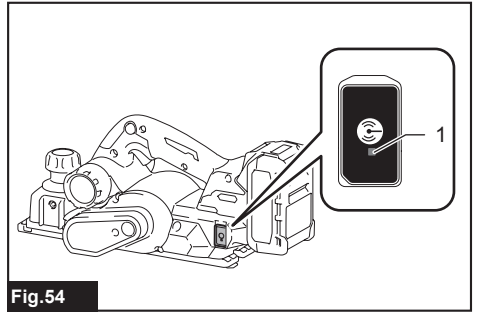


Fig.54

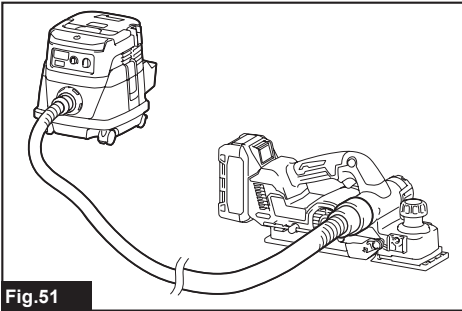


Fig.51

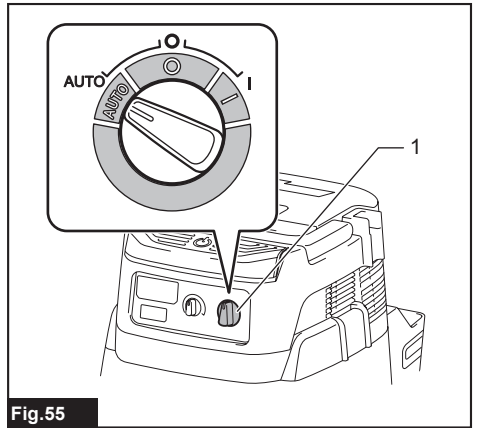


Fig.55

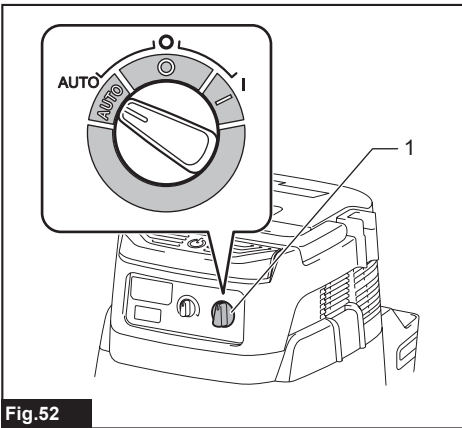


Fig.52

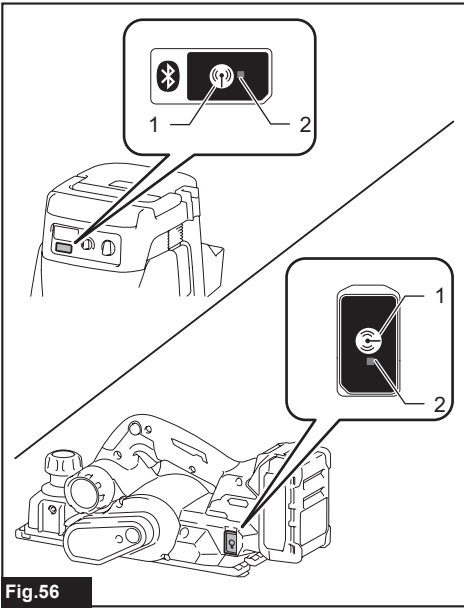


Fig.56

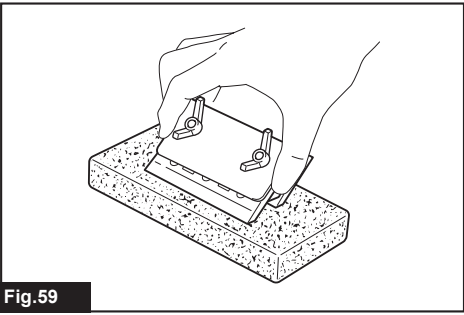


Fig.59

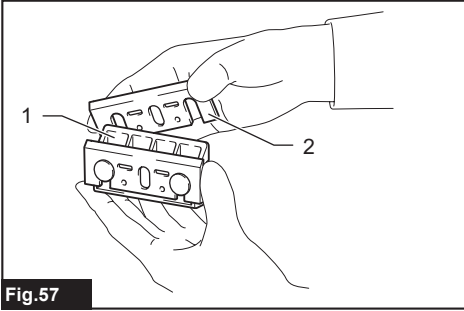


Fig.57

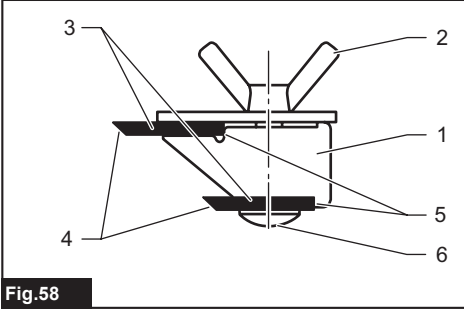


Fig.58

## SPECIFICATIONS

Model:	KP001G
Planing width	82 mm
Planing depth	4 mm
Shiplapping depth	25 mm
No load speed	15,000 min <sup>-1</sup>
Overall length (with BL4040)	385 mm
Rated voltage	D.C. 36 V - 40 V max
Net weight	3.7 - 4.9 kg

- Due to our continuing program of research and development, the specifications herein are subject to change without notice.
- Specifications and battery cartridge may differ from country to country.
- The weight may differ depending on the attachment(s), including the battery cartridge. The lightest and heaviest combinations, according to EPTA-Procedure 01/2014, are shown in the table.

### Applicable battery cartridge and charger

Battery cartridge	BL4020* / BL4025* / BL4040* / BL4050F / BL4080F * : Recommended battery
Charger	DC40RA / DC40RB / DC40RC

- Some of the battery cartridges and chargers listed above may not be available depending on your region of residence.

**⚠ WARNING: Only use the battery cartridges and chargers listed above.** Use of any other battery cartridges and chargers may cause injury and/or fire.

### Intended use

The tool is intended for planing wood.

### Noise

The typical A-weighted noise level determined according to EN62841-2-14:

Sound pressure level ( $L_{pA}$ ) : 90 dB(A)

Sound power level ( $L_{WA}$ ) : 98 dB (A)

Uncertainty (K) : 3 dB(A)

**NOTE:** The declared noise emission value(s) has been measured in accordance with a standard test method and may be used for comparing one tool with another.

**NOTE:** The declared noise emission value(s) may also be used in a preliminary assessment of exposure.

**⚠ WARNING: Wear ear protection.**

**⚠ WARNING: The noise emission during actual use of the power tool can differ from the declared value(s) depending on the ways in which the tool is used especially what kind of workpiece is processed.**

**⚠ WARNING: Be sure to identify safety measures to protect the operator that are based on an estimation of exposure in the actual conditions of use (taking account of all parts of the operating cycle such as the times when the tool is switched off and when it is running idle in addition to the trigger time).**

### Vibration

The vibration total value (tri-axial vector sum) determined according to EN62841-2-14:

Work mode: planing softwood

Vibration emission ( $a_{hv}$ ) : 4.3 m/s<sup>2</sup>

Uncertainty (K) : 1.5 m/s<sup>2</sup>

**NOTE:** The declared vibration total value(s) has been measured in accordance with a standard test method and may be used for comparing one tool with another.

**NOTE:** The declared vibration total value(s) may also be used in a preliminary assessment of exposure.

**⚠ WARNING: The vibration emission during actual use of the power tool can differ from the declared value(s) depending on the ways in which the tool is used especially what kind of workpiece is processed.**

**⚠ WARNING: Be sure to identify safety measures to protect the operator that are based on an estimation of exposure in the actual conditions of use (taking account of all parts of the operating cycle such as the times when the tool is switched off and when it is running idle in addition to the trigger time).**

### Declarations of Conformity

*For European countries only*

The Declarations of conformity are included in Annex A to this instruction manual.

# SAFETY WARNINGS

## General power tool safety warnings

**⚠WARNING:** Read all safety warnings, instructions, illustrations and specifications provided with this power tool. Failure to follow all instructions listed below may result in electric shock, fire and/or serious injury.

## Save all warnings and instructions for future reference.

The term "power tool" in the warnings refers to your mains-operated (corded) power tool or battery-operated (cordless) power tool.

## Cordless Planer Safety Warnings

1. **Wait for the cutter to stop before setting the tool down.** An exposed rotating cutter may engage the surface leading to possible loss of control and serious injury.
2. **Use clamps or another practical way to secure and support the workpiece to a stable platform.** Holding the workpiece by your hand or against the body leaves it unstable and may lead to loss of control.
3. **Rags, cloth, cord, string and the like should never be left around the work area.**
4. **Avoid cutting nails.** Inspect for and remove all nails from the workpiece before operation.
5. **Use only sharp blades.** Handle the blades very carefully.
6. **Be sure the blade installation bolts are securely tightened before operation.**
7. **Hold the tool firmly with both hands.**
8. **Keep hands away from rotating parts.**
9. **Before using the tool on an actual workpiece, let it run for a while.** Watch for vibration or wobbling that could indicate poor installation or a poorly balanced blade.
10. **Make sure the blade is not contacting the workpiece before the switch is turned on.**
11. **Wait until the blade attains full speed before cutting.**
12. **Always switch off and wait for the blades to come to a complete stop before adjusting depth of cut.**
13. **Never stick your finger into the chip chute.** Chute may jam when cutting damp wood. Clean out chips with a stick.
14. **Do not leave the tool running.** Operate the tool only when hand-held.
15. **When replace the blades or some parts on the drum, make sure to replace the parts on both sides of the drum as a set.** Otherwise, the resulting imbalance will cause vibration and shorten tool life.
16. **Use only Makita blades specified in this manual.**
17. **Always use the correct dust mask/respirator for the material and application you are working with.**
18. **Operate the tool on stable condition.** Operation on unstable condition may cause a damage injury.

**⚠WARNING:** DO NOT let comfort or familiarity with product (gained from repeated use) replace strict adherence to safety rules for the subject product.

**MISUSE** or failure to follow the safety rules stated in this instruction manual may cause serious personal injury.

## Important safety instructions for battery cartridge

1. **Before using battery cartridge, read all instructions and cautionary markings on (1) battery charger, (2) battery, and (3) product using battery.**
2. **Do not disassemble or tamper with the battery cartridge.** It may result in a fire, excessive heat, or explosion.
3. **If operating time has become excessively shorter, stop operating immediately.** It may result in a risk of overheating, possible burns and even an explosion.
4. **If electrolyte gets into your eyes, rinse them out with clear water and seek medical attention right away.** It may result in loss of your eyesight.
5. **Do not short the battery cartridge:**
  - (1) **Do not touch the terminals with any conductive material.**
  - (2) **Avoid storing battery cartridge in a container with other metal objects such as nails, coins, etc.**
  - (3) **Do not expose battery cartridge to water or rain.**

**A battery short can cause a large current flow, overheating, possible burns and even a breakdown.**
6. **Do not store and use the tool and battery cartridge in locations where the temperature may reach or exceed 50 °C (122 °F).**
7. **Do not incinerate the battery cartridge even if it is severely damaged or is completely worn out.** The battery cartridge can explode in a fire.
8. **Do not nail, cut, crush, throw, drop the battery cartridge, or hit against a hard object to the battery cartridge.** Such conduct may result in a fire, excessive heat, or explosion.
9. **Do not use a damaged battery.**
10. **The contained lithium-ion batteries are subject to the Dangerous Goods Legislation requirements.** For commercial transports e.g. by third parties, forwarding agents, special requirement on packaging and labeling must be observed. For preparation of the item being shipped, consulting an expert for hazardous material is required. Please also observe possibly more detailed national regulations. Tape or mask off open contacts and pack up the battery in such a manner that it cannot move around in the packaging.
11. **When disposing the battery cartridge, remove it from the tool and dispose of it in a safe place.** Follow your local regulations relating to disposal of battery.

## SAVE THESE INSTRUCTIONS.



12. Use the batteries only with the products specified by Makita. Installing the batteries to non-compliant products may result in a fire, excessive heat, explosion, or leak of electrolyte.
13. If the tool is not used for a long period of time, the battery must be removed from the tool.
14. During and after use, the battery cartridge may take on heat which can cause burns or low temperature burns. Pay attention to the handling of hot battery cartridges.
15. Do not touch the terminal of the tool immediately after use as it may get hot enough to cause burns.
16. Do not allow chips, dust, or soil stuck into the terminals, holes, and grooves of the battery cartridge. It may cause heating, catching fire, burst and malfunction of the tool or battery cartridge, resulting in burns or personal injury.
17. Unless the tool supports the use near high-voltage electrical power lines, do not use the battery cartridge near a high-voltage electrical power lines. It may result in a malfunction or breakdown of the tool or battery cartridge.
18. Keep the battery away from children.

## SAVE THESE INSTRUCTIONS.

**⚠CAUTION:** Only use genuine Makita batteries. Use of non-genuine Makita batteries, or batteries that have been altered, may result in the battery bursting causing fires, personal injury and damage. It will also void the Makita warranty for the Makita tool and charger.

## Tips for maintaining maximum battery life

1. Charge the battery cartridge before completely discharged. Always stop tool operation and charge the battery cartridge when you notice less tool power.
2. Never recharge a fully charged battery cartridge. Overcharging shortens the battery service life.
3. Charge the battery cartridge with room temperature at 10 °C - 40 °C (50 °F - 104 °F). Let a hot battery cartridge cool down before charging it.
4. When not using the battery cartridge, remove it from the tool or the charger.
5. Charge the battery cartridge if you do not use it for a long period (more than six months).

## Important safety instructions for wireless unit

1. Do not disassemble or tamper with the wireless unit.
  2. Keep the wireless unit away from young children. If accidentally swallowed, seek medical attention immediately.
  3. Use the wireless unit only with Makita tools.
  4. Do not expose the wireless unit to rain or wet conditions.
  5. Do not use the wireless unit in places where the temperature exceeds 50 °C (122 °F).
6. Do not operate the wireless unit in places where medical instruments, such as heart pace makers are nearby.
  7. Do not operate the wireless unit in places where automated devices are nearby. If operated, automated devices may develop malfunction or error.
  8. Do not operate the wireless unit in places under high temperature or places where static electricity or electrical noise could be generated.
  9. The wireless unit can produce electromagnetic fields (EMF) but they are not harmful to the user.
  10. The wireless unit is an accurate instrument. Be careful not to drop or strike the wireless unit.
  11. Avoid touching the terminal of the wireless unit with bare hands or metallic materials.
  12. Always remove the battery on the product when installing the wireless unit into it.
  13. When opening the lid of the slot, avoid the place where dust and water may come into the slot. Always keep the inlet of the slot clean.
  14. Always insert the wireless unit in the correct direction.
  15. Do not press the wireless activation button on the wireless unit too hard and/or press the button with an object with a sharp edge.
  16. Always close the lid of the slot when operating.
  17. Do not remove the wireless unit from the slot while the power is being supplied to the tool. Doing so may cause a malfunction of the wireless unit.
  18. Do not remove the sticker on the wireless unit.
  19. Do not put any sticker on the wireless unit.
  20. Do not leave the wireless unit in a place where static electricity or electrical noise could be generated.
  21. Do not leave the wireless unit in a place subject to high heat, such as a car sitting in the sun.
  22. Do not leave the wireless unit in a dusty or powdery place or in a place corrosive gas could be generated.
  23. Sudden change of the temperature may bedew the wireless unit. Do not use the wireless unit until the dew is completely dried.
  24. When cleaning the wireless unit, gently wipe with a dry soft cloth. Do not use benzine, thinner, conductive grease or the like.
  25. When storing the wireless unit, keep it in the supplied case or a static-free container.
  26. Do not insert any devices other than Makita wireless unit into the slot on the tool.
  27. Do not use the tool with the lid of the slot damaged. Water, dust, and dirt come into the slot may cause malfunction.
  28. Do not pull and/or twist the lid of the slot more than necessary. Restore the lid if it comes off from the tool.
  29. Replace the lid of the slot if it is lost or damaged.

## SAVE THESE INSTRUCTIONS.

## FUNCTIONAL DESCRIPTION

**CAUTION:** Always be sure that the tool is switched off and the battery cartridge is removed before adjusting or checking function on the tool.

### Installing or removing battery cartridge

**CAUTION:** Always switch off the tool before installing or removing of the battery cartridge.

**CAUTION:** Hold the tool and the battery cartridge firmly when installing or removing battery cartridge. Failure to hold the tool and the battery cartridge firmly may cause them to slip off your hands and result in damage to the tool and battery cartridge and a personal injury.

► **Fig.1:** 1. Red indicator 2. Button 3. Battery cartridge

To remove the battery cartridge, slide it from the tool while sliding the button on the front of the cartridge.

To install the battery cartridge, align the tongue on the battery cartridge with the groove in the housing and slip it into place. Insert it all the way until it locks in place with a little click. If you can see the red indicator as shown in the figure, it is not locked completely.

**CAUTION:** Always install the battery cartridge fully until the red indicator cannot be seen. If not, it may accidentally fall out of the tool, causing injury to you or someone around you.

**CAUTION:** Do not install the battery cartridge forcibly. If the cartridge does not slide in easily, it is not being inserted correctly.

### Tool / battery protection system

The tool is equipped with a tool/battery protection system. This system automatically cuts off power to the motor to extend tool and battery life. The tool will automatically stop during operation if the tool or battery is placed under one of the following conditions:

#### Overload protection

When the tool/battery is operated in a manner that causes it to draw an abnormally high current, the tool automatically stops. In this situation, turn the tool off and stop the application that caused the tool to become overloaded. Then turn the tool on to restart.

#### Overheat protection

When the tool/battery is overheated, the tool stops automatically. In this situation, let the tool/battery cool before turning the tool on again.

#### Overdischarge protection

When the battery capacity is not enough, the tool stops automatically. In this case, remove the battery from the tool and charge the battery.

## Protections against other causes

Protection system is also designed for other causes that could damage the tool and allows the tool to stop automatically. Take all the following steps to clear the causes, when the tool has been brought to a temporary halt or stop in operation.
















1. Turn the tool off, and then turn it on again to restart.
2. Charge the battery(ies) or replace it/them with recharged battery(ies).
3. Let the tool and battery(ies) cool down.

If no improvement can be found by restoring protection system, then contact your local Makita Service Center.

## Indicating the remaining battery capacity

Press the check button on the battery cartridge to indicate the remaining battery capacity. The indicator lamps light up for a few seconds.

► **Fig.2:** 1. Indicator lamps 2. Check button

Indicator lamps			Remaining capacity
 Lighted	 Off	 Blinking	
			75% to 100%
			50% to 75%
			25% to 50%
			0% to 25%
			Charge the battery.
			The battery may have malfunctioned.

**NOTE:** Depending on the conditions of use and the ambient temperature, the indication may differ slightly from the actual capacity.

**NOTE:** The first (far left) indicator lamp will blink when the battery protection system works.

## Adjusting depth of cut

**CAUTION:** Always switch off and wait for the blades to come to a complete stop before adjusting depth of cut.

**NOTE:** When turning the depth adjustment knob, be sure to hold the handle firmly with the other hand.

The cutting depth can be adjusted by turning the depth adjustment knob on the front of the tool. Turn the knob to align the pointer with your desired cutting depth on the depth scale.

► **Fig.3:** 1. Depth adjustment knob 2. Pointer 3. Depth scale

## Switch action

**⚠ WARNING:** Before installing the battery cartridge into the tool, always check to see that the switch trigger actuates properly and returns to the "OFF" position when released.

**⚠ WARNING:** NEVER defeat the lock-off button by taping down or some other means. A switch with a negated lock-off button may result in unintentional operation and serious personal injury.

**⚠ WARNING:** NEVER use the tool if it runs when you simply pull the switch trigger without pressing the lock-off button. A switch in need of repair may result in unintentional operation and serious personal injury. Return tool to a Makita service center for proper repairs BEFORE further usage.

**NOTICE:** Do not pull the switch trigger hard without pressing in the lock-off button. This can cause switch breakage.

To prevent the switch trigger from being accidentally pulled, the lock-off button is provided. To start the tool, depress and hold the lock-off button, and then pull the switch trigger. Release the switch trigger to stop.

▶ Fig.4: 1. Switch trigger 2. Lock-off button

## Foot

The foot springs out of the rear base when you lift the tool up from work surfaces to avoid the planer blades touching the workpiece directly. It prevents the planer blades from accidental damages when not in use.

The foot springs back into the rear base whenever you place the tool base over work surfaces.

▶ Fig.5: 1. Planer blade 2. Rear base 3. Foot 4. Work surface

## Accidental restart preventive function

If you install the battery cartridge while pulling the switch trigger, the tool does not start. To start the tool, release the switch trigger, and then pull the switch trigger again while depressing the lock-off button.

## Electronic function

The tool is equipped with the following electronic functions for easy operation.

### Electric brake

The tool is equipped with an electric brake. If the tool consistently fails to quickly stop after releasing the switch trigger, have the tool serviced at your local Makita Service Center.

### Soft start feature

The soft-start function minimizes start-up shock, and makes the tool start smoothly.

## ASSEMBLY

**⚠ CAUTION:** Always be sure that the tool is switched off and the battery cartridge is removed before carrying out any work on the tool.

## Box wrench storage

When not in use, store the box wrench as shown in the figure to keep it from being lost.

▶ Fig.6: 1. Box wrench

## Removing and installing planer blades

**⚠ CAUTION:** Tighten the blade installation bolts carefully when attaching the planer blades to the tool. Always check to see they are tightened securely. A loose installation bolt can be dangerous.

**⚠ CAUTION:** Handle the planer blades very carefully. Use gloves or rags to protect your fingers or hands when removing and installing the planer blades.

**⚠ CAUTION:** Use only the Makita wrench provided to remove and install the planer blades. Failure to do so may result in overtightening or insufficient tightening of the installation bolts. This could cause an injury.

**NOTICE:** To install planer blades, clean out all chips or foreign matter adhering to the drum or the planer blades. Use planer blades of the same dimensions and weight, otherwise drum oscillation/vibration, causing poor planing action, and tool breakdown will result.

## For tool with conventional planer blades

**NOTE:** A pair of planer blades are assembled in the drum. Repeat the following procedures for each planer blade.

### Removing conventional planer blades

1. Unscrew the installation bolts from the drum using the box wrench provided.

2. Disassemble the drum plate and conventional planer blade (with adjusting plate) from the drum.

▶ Fig.7: 1. Installation bolt 2. Drum plate  
3. Conventional planer blade (with adjusting plate) 4. Drum

3. Untighten the screws from the conventional planer blade, and then remove the adjusting plate.

▶ Fig.8: 1. Screws 2. Conventional planer blade  
3. Adjusting plate

## Installing conventional planer blades

1. Set a conventional planer blade onto the blade gauge, aligning its cutting edge along the guide wall on the blade gauge horizontally.

► **Fig.9:** 1. Conventional planer blade 2. Blade gauge 3. Cutting edge 4. Guide wall

2. Place the adjusting plate over the conventional planer blade, and then slightly tighten the screws.

3. Push the adjusting plate forwards until its positioning guide neatly and entirely fits along the rear side wall of the blade gauge.

4. Hold the adjusting plate where it is and tighten the screws to secure it in place.

► **Fig.10:** 1. Adjusting plate 2. Conventional planer blade 3. Screw 4. Positioning guide 5. Rear side wall 6. Blade gauge

5. Clean out all the wood chips and foreign matters adhering to the drum and conventional planer blade.

6. Slip the positioning guide of the adjusting plate into the guide groove in the drum, and then place the drum plate over the conventional planer blade (with adjusting plate).

7. Cross-tighten all the installation bolts evenly with the box wrench.

► **Fig.11:** 1. Positioning guide 2. Adjusting plate 3. Guide groove 4. Drum 5. Drum plate 6. Conventional planer blade 7. Installation bolt

## For tool with mini planer blades

**NOTE:** A pair of planer blades are assembled in the drum. Repeat the following procedures for each planer blade.

### Removing mini planer blades

1. Loosen the installation bolts one turn using the box wrench provided.

► **Fig.12:** 1. Installation bolt 2. Box wrench

2. Slide the mini planer blade out of the drum by pushing one end of the blade outwards from the belt cover side.

► **Fig.13:** 1. Mini planer blade 2. Drum 3. Belt cover 4. T-handle of box wrench

**NOTE:** Use the ends of T-handle of the box wrench to slide the mini planer blade out for safer operation and maintenance.

### Installing mini planer blades

1. Clean out all the wood chips and foreign matters adhering to the drum and mini planer blade.

2. Slide a mini planer blade along between the drum and set plate by pushing one end of the blade inwards from the side opposite to the belt cover.

3. Cross-tighten all the installation bolts evenly with the box wrench.

► **Fig.14:** 1. Mini planer blade 2. Drum 3. Set plate 4. Belt cover 5. Installation bolt 6. Box wrench

## Mini planer blade calibration

Perform a calibration on planer blades at regular intervals to optimize work efficiency.

1. Loosen the installation bolts one turn using the box wrench provided.

2. Slide the mini planer blade out of the drum by pushing one end of the blade outwards from the belt cover side.

3. Unscrew the installation bolts from the drum using the box wrench.

4. Disassemble the drum plate and set plate (with adjusting plate) from the drum.

► **Fig.15:** 1. Installation bolt 2. Drum plate 3. Set plate (with adjusting plate) 4. Drum

5. Loosen the screws on the set plate one turn to disengage the adjusting plate.

► **Fig.16:** 1. Screws 2. Set plate 3. Adjusting plate

6. Clean out all the wood chips and foreign matters adhering to the set plate (with adjusting plate) and mini planer blade.

7. Set the mini planer blade onto the blade gauge, aligning its cutting edge along the guide wall on the blade gauge horizontally.

8. Place the set plate (with adjusting plate) over the mini planer blade, aligning the guide ridges on the set plate with guide grooves on the mini planer blade.

► **Fig.17:** 1. Mini planer blade 2. Blade gauge 3. Cutting edge 4. Guide wall 5. Set plate (with adjusting plate) 6. Guide ridge 7. Guide groove

9. Push the adjusting plate forwards until its positioning guide neatly and entirely fits along the rear side wall of the blade gauge.

10. Hold the adjusting plate where it is and tighten the screws to secure it in place.

► **Fig.18:** 1. Adjusting plate 2. Set plate 3. Screw 4. Positioning guide 5. Rear side wall 6. Blade gauge

11. Slip the positioning guide of the adjusting plate into the guide groove in the drum, and then place the drum plate over the set plate (with adjusting plate).

► **Fig.19:** 1. Positioning guide 2. Adjusting plate 3. Guide groove 4. Drum 5. Drum plate 6. Set plate 7. Installation bolt

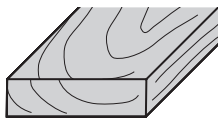
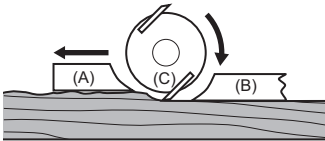
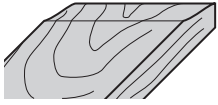
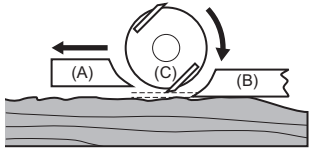
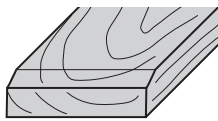
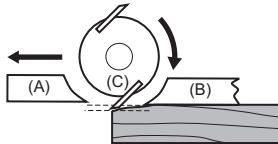
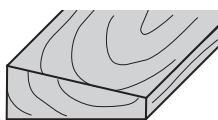
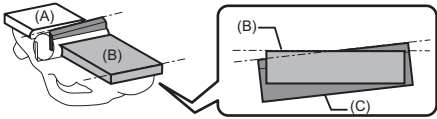
12. Slightly tighten the installation bolts, and slide the mini planer blade along between the drum and set plate by pushing one end of the blade inwards from the side opposite to the belt cover.

13. Cross-tighten all the installation bolts evenly with the box wrench.

► **Fig.20:** 1. Mini planer blade 2. Drum 3. Set plate 4. Belt cover 5. Installation bolt 6. Box wrench

## Planer blade settings

Your planing surface will end up rough and uneven, unless the planer blades are set properly and securely. Install planer blades correctly so the cutting edges sit in a right angle, on an absolute level with the rear baseline, and exactly parallel to the sole of the plane. Read the examples in the table for proper settings.

Planing surface	Blade setting	Cause
<p>Correct setting</p> 		<p>Cutting edges sit on a level with the rear baseline and run side to side parallel to the sole of the plane.</p>
<p>Gouging at start</p> 		<p>Cutting edges underreach the rear baseline.</p>
<p>Gouging at end</p> 		<p>Cutting edges overpass the rear baseline.</p>
<p>Aslope in surface</p> 		<p>Cutting edges sit side to side unparallel to the sole of the plane.</p>

(A): Front base (Adjustable shoe)  
 (B): Rear base (Fixed shoe)  
 (C): Planer blade

## Installing guide rule

1. Lay the tool down with the belt cover facing upwards.
2. Mount the guide rule in place by securing it with the thumb screw into the mounting hole on side of the tool head.
  - **Fig.21:** 1. Belt cover 2. Guide rule 3. Thumb screw 4. Mounting hole

3. Slide the edge fence in and out to your desired planing width, and then tighten the thumb screw to secure it in the required position.

► **Fig.22:** 1. Edge fence 2. Thumb screw

## Installing depth guide

1. Lay the tool down with the belt cover facing downwards.
2. Mount the depth guide in place by securing it with the washer and thumb screw into the mounting hole on side of the tool head.

► **Fig.23:** 1. Belt cover 2. Depth guide 3. Washer 4. Thumb screw 5. Mounting hole

3. Slide the depth guide up and down to your desired planing depth, and then tighten the thumb screw to secure it in the required position.

► **Fig.24:** 1. Depth guide 2. Thumb screw

## Installing chamfering rules

### Optional accessory

1. Lay the tool down with the front base facing upwards.
2. Attach the edge fences to the mounting arms, aligning the projections on the arms with the guide slits in the edge fences, and secure them with the washers and thumb screws.

3. Mount the chamfering rules (sets of edge fences and mounting arms) in place by securing them with the thumb screws into the mounting holes on both sides of the tool head.

► **Fig.25:** 1. Front base 2. Edge fence 3. Mounting arm 4. Projection 5. Guide slit 6. Washer 7. Thumb screw 8. Mounting hole

4. Slide the edge fences in and out to your desired chamfering range, and then tighten the thumb screws to secure them in the required position.

► **Fig.26:** 1. Edge fence 2. Thumb screw

## Dust and wood chip extraction

Dust and wood chip can be released from either left or right side of discharge openings. Cover one of the discharge openings on the side opposed to your preferred dust extraction direction with the stopper.

To detach the stopper from the discharge opening, turn the stopper towards the handle slightly to disengage the lock, and then pull it apart.

► **Fig.27:** 1. Stopper 2. Handle

As for installation, insert the stopper straight into one of the openings aligning the locking slot in the stopper with the guide projection on the opening until it locks in place.

► **Fig.28:** 1. Stopper 2. Locking slot 3. Guide projection

## Dust bag

### Optional accessory

Attach the dust bag onto one of the discharge openings and push firmly as far as it will go. Make sure the dust bag is securely placed over the tapered opening so as not to come off during operation.

► **Fig.29:** 1. Dust bag 2. Discharge opening

When the dust bag is about half full, remove the dust bag from the tool and pull the fastener out. Empty the dust bag. Tap the dust bag lightly to remove particles adhering inside, which might hamper further collection.

► **Fig.30:** 1. Fastener

**NOTE:** If you connect a Makita vacuum cleaner to this tool, more efficient and cleaner operations can be performed.

## Connecting a vacuum cleaner

When you wish to perform clean planing operation, connect a Makita vacuum cleaner to your tool. Connect a hose of the vacuum cleaner to one of the discharge openings as shown in the figure.

► **Fig.31:** 1. Vacuum cleaner

## Elbow

### Optional accessory

Use a dust extractor elbow to condense extraction air flow at preferred angles for cleaner working environment. Attach the elbow into one of the discharge openings and push firmly as far as it will go.

► **Fig.32:** 1. Elbow

## OPERATION

**CAUTION:** Hold the tool firmly with one hand on the switch handle and the other hand on the depth adjustment knob when operating the tool.

## Planing operation

1. Hold the tool firmly with your both hands, one hand on the switch handle and the other on the depth adjustment knob.
2. Place the front base of the tool flat upon the workpiece surface without the planer blades making any contact.
3. Turn the tool on and wait until it attains full speed.
4. Gently move the tool forwards, applying slightly more downwards pressure on the depth adjustment knob at the start so as to keep the entire planer base level and even with the workpiece surface.

► **Fig.33**

5. Use care to apply pressure evenly over the workpiece surface in the middle of operation, and push the tool steadily forwards.

► **Fig.34**

**NOTE:** Balance hand pressure between the switch handle and depth adjustment knob as both the front and rear bases contact the workpiece surface.

6. Apply greater control on the switch handle to avoid overreaching at the end of a pass since the front base will drop off the workpiece surface.

► **Fig.35**

**NOTE:** Planing can be easier if you position the workpiece at a slight forward tilt so you ease up on the pressure to hold the tool during operation.

**NOTE:** Adjust the cutting speed and depth for your desired surface finishes.

For rough finish, set the cutting depth sufficiently deep enough on workpiece.

For neat and fine finish, push the tool slowly with shallow cutting depth and make more passes.

## Shiplapping (Rabbeting)

► **Fig.36**

Use the guide rule to make a stepped cut as shown in the figure.

1. Install the guide rule and depth guide in the tool and secure them with the washers and thumb screws.
2. Adjust the depth guide to the shiplapping depth and secure it in place with the thumb screw.
3. Draw a cutting line on the workpiece and align the blade edge with the cutting line.

► **Fig.37:** 1. Blade edge 2. Cutting line 3. Depth guide 4. Thumb screw

**NOTE:** Make sure that the blade edge comes out of the side end of the drum by 1.6 mm – 1.8 mm for shiplapping. (See "A" in the following figure.)

\* You can opt to let the blade end come out of the side end of the front base by 0.2 mm - 0.4 mm. (See "B" in the following figure.)

► **Fig.38:** 1. Blade edge 2. Side end of drum 3. Side end of front base

4. Slide the edge fence in the guide rule inwards until it comes in contact with the side wall of the workpiece. Then secure it in place with the thumb screw.

► **Fig.39:** 1. Guide rule 2. Edge fence 3. Side wall 4. Thumb screw

5. Perform planning operation by moving the tool with the whole edge fence sliding along the side wall of the workpiece.

**NOTE:** Reaching lengths of the guide fence can be extended by attaching an extra piece of wood to the attachment holes in the guide fence.

► **Fig.40:** 1. Extra piece of wood 2. Attachment holes

## Chamfering

► **Fig.41**

Use the "V" grooves cut in the front base to make a chamfering cut as shown in the figure.

Perform planning operation by moving the tool aligning one of the three "V" grooves in the front base with the corner edge of the workpiece.

► **Fig.42:** 1. V groove for medium chamfers 2. V groove for small chamfers 3. V groove for large chamfers

## Using chamfering rules

### Optional accessory

1. Slide the edge fences in the chamfering rules inwards until they come in contact with the corner walls of the workpiece.

2. Secure the edge fences in place with the thumb screws.

3. Perform planning operation by moving the tool with the whole edge fences sliding along the corner walls of the workpiece.

► **Fig.43:** 1. Chamfering rule 2. Edge fences 3. Thumb screw

**NOTE:** For large chamfers, make many passes of planning, starting from small chamfering to larger chamfering, as shown in the figure.

► **Fig.44:** 1. Edge fences 2. Small chamfering 3. Large chamfering

# WIRELESS ACTIVATION FUNCTION

## What you can do with the wireless activation function

The wireless activation function enables clean and comfortable operation. By connecting a supported vacuum cleaner to the tool, you can run the vacuum cleaner automatically along with the switch operation of the tool.

► **Fig.45**

To use the wireless activation function, prepare following items:

- A wireless unit (optional accessory)
- A vacuum cleaner which supports the wireless activation function

The overview of the wireless activation function setting is as follows. Refer to each section for detail procedures.

1. Installing the wireless unit
2. Tool registration for the vacuum cleaner
3. Starting the wireless activation function

## Installing the wireless unit

### Optional accessory

**CAUTION:** Place the tool on a flat and stable surface when installing the wireless unit.

**NOTICE:** Clean the dust and dirt on the tool before installing the wireless unit. Dust or dirt may cause malfunction if it comes into the slot of the wireless unit.

**NOTICE:** To prevent the malfunction caused by static, touch a static discharging material, such as a metal part of the tool, before picking up the wireless unit.

**NOTICE:** When installing the wireless unit, always be sure that the wireless unit is inserted in the correct direction and the lid is completely closed.

1. Open the lid on the tool as shown in the figure.

► **Fig.46:** 1. Lid

2. Insert the wireless unit to the slot and then close the lid.

When inserting the wireless unit, align the projections with the recessed portions on the slot.

► **Fig.47:** 1. Wireless unit 2. Projection 3. Lid 4. Recessed portion

When removing the wireless unit, open the lid slowly. The hooks on the back of the lid will lift the wireless unit as you pull up the lid.

► **Fig.48:** 1. Wireless unit 2. Hook 3. Lid

After removing the wireless unit, keep it in the supplied case or a static-free container.

**NOTICE:** Always use the hooks on the back of the lid when removing the wireless unit. If the hooks do not catch the wireless unit, close the lid completely and open it slowly again.

## Tool registration for the vacuum cleaner

**NOTE:** A Makita vacuum cleaner supporting the wireless activation function is required for the tool registration.

**NOTE:** Finish installing the wireless unit to the tool before starting the tool registration.

**NOTE:** During the tool registration, do not pull the switch trigger or turn on the power switch on the vacuum cleaner.

**NOTE:** Refer to the instruction manual of the vacuum cleaner, too.



If you wish to activate the vacuum cleaner along with the switch operation of the tool, finish the tool registration beforehand.

1. Install the batteries to the vacuum cleaner and the tool.
2. Set the stand-by switch on the vacuum cleaner to "AUTO".  
► **Fig.49:** 1. Stand-by switch
3. Press the wireless activation button on the vacuum cleaner for 3 seconds until the wireless activation lamp blinks in green. And then press the wireless activation button on the tool in the same way.  
► **Fig.50:** 1. Wireless activation button 2. Wireless activation lamp

If the vacuum cleaner and the tool are linked successfully, the wireless activation lamps will light up in green for 2 seconds and start blinking in blue.

**NOTE:** The wireless activation lamps finish blinking in green after 20 seconds elapsed. Press the wireless activation button on the tool while the wireless activation lamp on the cleaner is blinking. If the wireless activation lamp does not blink in green, push the wireless activation button briefly and hold it down again.

**NOTE:** When performing two or more tool registrations for one vacuum cleaner, finish the tool registration one by one.

## Starting the wireless activation function

**NOTE:** Finish the tool registration for the vacuum cleaner prior to the wireless activation.

**NOTE:** Refer to the instruction manual of the vacuum cleaner, too.

After registering a tool to the vacuum cleaner, the vacuum cleaner will automatically runs along with the switch operation of the tool.

1. Install the wireless unit to the tool.
2. Connect the hose of the vacuum cleaner with the tool.  
► **Fig.51**
3. Set the stand-by switch on the vacuum cleaner to "AUTO".  
► **Fig.52:** 1. Stand-by switch
4. Push the wireless activation button on the tool briefly. The wireless activation lamp will blink in blue.  
► **Fig.53:** 1. Wireless activation button 2. Wireless activation lamp

5. Turn on the tool. Check if the vacuum cleaner runs while the tool is operating.

To stop the wireless activation of the vacuum cleaner, push the wireless activation button on the tool.

**NOTE:** The wireless activation lamp on the tool will stop blinking in blue when there is no operation for 2 hours. In this case, set the stand-by switch on the vacuum cleaner to "AUTO" and push the wireless activation button on the tool again.

**NOTE:** The vacuum cleaner starts/stops with a delay. There is a time lag when the vacuum cleaner detects a switch operation of the tool.

**NOTE:** The transmission distance of the wireless unit may vary depending on the location and surrounding circumstances.










**NOTE:** When two or more tools are registered to one vacuum cleaner, the vacuum cleaner may start running even if you do not turn on your tool because another user is using the wireless activation function.



## Description of the wireless activation lamp status

### ► Fig.54: 1. Wireless activation lamp

The wireless activation lamp shows the status of the wireless activation function. Refer to the table below for the meaning of the lamp status.

Status	Wireless activation lamp				Description
	Color	 On	 Blinking	Duration	
Standby	Blue			2 hours	The wireless activation of the vacuum cleaner is available. The lamp will automatically turn off when no operation is performed for 2 hours.
				When the tool is running.	The wireless activation of the vacuum cleaner is available and the tool is running.
Tool registration	Green			20 seconds	Ready for the tool registration. Waiting for the registration by the vacuum cleaner.
				2 seconds	The tool registration has been finished. The wireless activation lamp will start blinking in blue.
Cancelling tool registration	Red			20 seconds	Ready for the cancellation of the tool registration. Waiting for the cancellation by the vacuum cleaner.
				2 seconds	The cancellation of the tool registration has been finished. The wireless activation lamp will start blinking in blue.
Others	Red			3 seconds	The power is supplied to the wireless unit and the wireless activation function is starting up.
	Off	-		-	The wireless activation of the vacuum cleaner is stopped.

## Cancelling tool registration for the vacuum cleaner

Perform the following procedure when cancelling the tool registration for the vacuum cleaner.

1. Install the batteries to the vacuum cleaner and the tool.
2. Set the stand-by switch on the vacuum cleaner to "AUTO".

### ► Fig.55: 1. Stand-by switch

3. Press the wireless activation button on the vacuum cleaner for 6 seconds. The wireless activation lamp blinks in green and then become red. After that, press the wireless activation button on the tool in the same way.

### ► Fig.56: 1. Wireless activation button 2. Wireless activation lamp

If the cancellation is performed successfully, the wireless activation lamps will light up in red for 2 seconds and start blinking in blue.

**NOTE:** The wireless activation lamps finish blinking in red after 20 seconds elapsed. Press the wireless activation button on the tool while the wireless activation lamp on the cleaner is blinking. If the wireless activation lamp does not blink in red, push the wireless activation button briefly and hold it down again.

## Troubleshooting for wireless activation function

Before asking for repairs, conduct your own inspection first. If you find a problem that is not explained in the manual, do not attempt to dismantle the tool. Instead, ask Makita Authorized Service Centers, always using Makita replacement parts for repairs.

State of abnormality	Probable cause (malfunction)	Remedy
The wireless activation lamp does not light/blink.	The wireless unit is not installed into the tool. The wireless unit is improperly installed into the tool.	Install the wireless unit correctly.
	The terminal of the wireless unit and/or the slot is dirty.	Gently wipe off dust and dirt on the terminal of the wireless unit and clean the slot.
	The wireless activation button on the tool has not been pushed.	Push the wireless activation button on the tool briefly.
	The stand-by switch on the vacuum cleaner is not set to "AUTO".	Set the stand-by switch on the vacuum cleaner to "AUTO".
	No power supply	Supply the power to the tool and the vacuum cleaner.
Cannot finish tool registration / cancelling tool registration successfully.	The wireless unit is not installed into the tool. The wireless unit is improperly installed into the tool.	Install the wireless unit correctly.
	The terminal of the wireless unit and/or the slot is dirty.	Gently wipe off dust and dirt on the terminal of the wireless unit and clean the slot.
	The stand-by switch on the vacuum cleaner is not set to "AUTO".	Set the stand-by switch on the vacuum cleaner to "AUTO".
	No power supply	Supply the power to the tool and the vacuum cleaner.
	Incorrect operation	Push the wireless activation button briefly and perform the tool registration/cancellation procedures again.
	The tool and vacuum cleaner are away from each other (out of the transmission range).	Get the tool and vacuum cleaner closer to each other. The maximum transmission distance is approximately 10 m however it may vary according to the circumstances.
	Before finishing the tool registration/cancellation; - the switch of the tool is turned on or; - the power button on the vacuum cleaner is turned on.	Push the wireless activation button briefly and perform the tool registration/cancellation procedures again.
	The tool registration procedures for the tool or vacuum cleaner have not finished.	Perform the tool registration procedures for both the tool and the vacuum cleaner at the same timing.
	Radio disturbance by other appliances which generate high-intensity radio waves.	Keep the tool and vacuum cleaner away from the appliances such as Wi-Fi devices and microwave ovens.
The vacuum cleaner does not run along with the switch operation of the tool.	The wireless unit is not installed into the tool. The wireless unit is improperly installed into the tool.	Install the wireless unit correctly.
	The terminal of the wireless unit and/or the slot is dirty.	Gently wipe off dust and dirt on the terminal of the wireless unit and clean the slot.
	The wireless activation button on the tool has not been pushed.	Push the wireless activation button briefly and make sure that the wireless activation lamp is blinking in blue.
	The stand-by switch on the vacuum cleaner is not set to "AUTO".	Set the stand-by switch on the vacuum cleaner to "AUTO".
	More than 10 tools are registered to the vacuum cleaner.	Perform the tool registration again. If more than 10 tools are registered to the vacuum cleaner, the tool registered earliest will be cancelled automatically.
	The vacuum cleaner erased all tool registrations.	Perform the tool registration again.
	No power supply	Supply the power to the tool and the vacuum cleaner.
	The tool and vacuum cleaner are away from each other (out of the transmission range).	Get the tool and vacuum cleaner closer each other. The maximum transmission distance is approximately 10 m however it may vary according to the circumstances.
Radio disturbance by other appliances which generate high-intensity radio waves.	Keep the tool and vacuum cleaner away from the appliances such as Wi-Fi devices and microwave ovens.	
The vacuum cleaner runs while the tool is not operating.	Other users are using the wireless activation of the vacuum cleaner with their tools.	Turn off the wireless activation button of the other tools or cancel the tool registration of the other tools.

## MAINTENANCE

**⚠ CAUTION:** Always be sure that the tool is switched off and the battery cartridge is removed before attempting to perform inspection or maintenance.

**NOTICE:** Never use gasoline, benzine, thinner, alcohol or the like. Discoloration, deformation or cracks may result.

To maintain product SAFETY and RELIABILITY, repairs, any other maintenance or adjustment should be performed by Makita Authorized or Factory Service Centers, always using Makita replacement parts.

## Cleaning up chip discharge openings

Clean the chip discharge openings regularly. Use a compressed air to clean the clogged chip discharge openings.

## Sharpening blades

### *For conventional planer blades only*

Always keep your planer blades sharp for the best performance. Use the sharpening holder (optional accessory) to refine the planer blade edges safely and effectively.

► **Fig.57:** 1. Sharpening holder 2. Blade

1. Loosen the two wing nuts in the sharpening holder.

2. Slip the back ends of the planer blades into the mounting slots as far as they will go with the cutting edges to be sharpened facing downwards.

► **Fig.58:** 1. Sharpening holder 2. Wing nut 3. Blades 4. Cutting edges 5. Mounting slots 6. Bolt head

3. Tighten the wing nuts to secure the planer blades in place.

4. Soak a dressing stone in water for 2 or 3 minutes before sharpening.

5. Hold the sharpening holder firmly, and gently place the cutting edges over the surface of the dressing stone.

6. Sharpen the cutting edges by moving the sharpening holder back and forwards.

► **Fig.59**

## OPTIONAL ACCESSORIES

**⚠ CAUTION:** These accessories or attachments are recommended for use with your Makita tool specified in this manual. The use of any other accessories or attachments might present a risk of injury to persons. Only use accessory or attachment for its stated purpose.

If you need any assistance for more details regarding these accessories, ask your local Makita Service Center.

- High-speed steel Planer blade
- Tungsten-carbide Planer blade (For longer blade life)
- Mini planer blade
- Sharpening holder assembly
- Blade gauge assembly
- Set plate set
- Guide rule assembly
- Dressing stone
- Dust bag assembly
- Elbow
- Chamfering rule assembly
- Wireless unit
- Makita genuine battery and charger

**NOTE:** Some items in the list may be included in the tool package as standard accessories. They may differ from country to country.

## SPÉCIFICATIONS

Modèle :	KP001G
Largeur de rabotage	82 mm
Profondeur de rabotage	4 mm
Profondeur de polissage d'angle	25 mm
Vitesse à vide	15 000 min <sup>-1</sup>
Longueur totale (avec BL4040)	385 mm
Tension nominale	C.C. 36 V - 40 V max.
Poids net	3,7 - 4,9 kg

- Étant donné l'évolution constante de notre programme de recherche et de développement, les spécifications contenues dans ce manuel sont sujettes à modification sans préavis.
- Les spécifications et la batterie peuvent être différentes suivant les pays.
- Le poids peut être différent selon les accessoires, notamment la batterie. Les associations la plus légère et la plus lourde, conformément à la procédure EPTA 01/2014, sont indiquées dans le tableau.

### Batterie et chargeur applicables

Batterie	BL4020* / BL4025* / BL4040* / BL4050F / BL4080F * : Batterie recommandée
Chargeur	DC40RA / DC40RB / DC40RC

- Certains chargeurs et batteries répertoriés ci-dessus peuvent ne pas être disponibles selon la région où vous résidez.

**⚠ AVERTISSEMENT : N'utilisez que les batteries et les chargeurs répertoriés ci-dessus.** L'utilisation d'autres batteries et chargeurs peut provoquer des blessures et/ou un incendie.

### Utilisations

L'outil est conçu pour le rabotage du bois.

### Bruit

Niveau de bruit pondéré A typique, déterminé selon EN62841-2-14 :

Niveau de pression sonore ( $L_{pA}$ ) : 90 dB (A)

Niveau de puissance sonore ( $L_{WA}$ ) : 98 dB (A)

Incertitude (K) : 3 dB (A)

**NOTE :** La ou les valeurs d'émission de bruit déclarées ont été mesurées conformément à la méthode de test standard et peuvent être utilisées pour comparer les outils entre eux.

**NOTE :** La ou les valeurs d'émission de bruit déclarées peuvent aussi être utilisées pour l'évaluation préliminaire de l'exposition.

**⚠ AVERTISSEMENT :** Portez un serre-tête antibruit.

**⚠ AVERTISSEMENT :** L'émission de bruit lors de l'usage réel de l'outil électrique peut être différente de la ou des valeurs déclarées, suivant la façon dont l'outil est utilisé, particulièrement selon le type de pièce usinée.

**⚠ AVERTISSEMENT :** Les mesures de sécurité à prendre pour protéger l'utilisateur doivent être basées sur une estimation de l'exposition dans des conditions réelles d'utilisation (en tenant compte de toutes les composantes du cycle d'utilisation, comme par exemple le moment de sa mise hors tension, lorsqu'il tourne à vide et le moment de son déclenchement).

### Vibrations

Valeur totale de vibrations (somme de vecteur triaxial) déterminée selon EN62841-2-14 :

Mode de travail : meulage de surface

Émission de vibrations ( $a_h$ ) : 4,3 m/s<sup>2</sup>

Incertitude (K) : 1,5 m/s<sup>2</sup>

**NOTE :** La ou les valeurs de vibration totales déclarées ont été mesurées conformément à la méthode de test standard et peuvent être utilisées pour comparer les outils entre eux.

**NOTE :** La ou les valeurs de vibration totales déclarées peuvent aussi être utilisées pour l'évaluation préliminaire de l'exposition.

**⚠ AVERTISSEMENT :** L'émission de vibrations lors de l'usage réel de l'outil électrique peut être différente de la ou des valeurs déclarées, suivant la façon dont l'outil est utilisé, particulièrement selon le type de pièce usinée.

**⚠ AVERTISSEMENT :** Les mesures de sécurité à prendre pour protéger l'utilisateur doivent être basées sur une estimation de l'exposition dans des conditions réelles d'utilisation (en tenant compte de toutes les composantes du cycle d'utilisation, comme par exemple le moment de sa mise hors tension, lorsqu'il tourne à vide et le moment de son déclenchement).

## Déclarations de conformité

### Pour les pays européens uniquement

Les déclarations de conformité sont fournies en Annexe A à ce mode d'emploi.

## CONSIGNES DE SÉCURITÉ

### Consignes de sécurité générales pour outils électriques

**⚠️ AVERTISSEMENT :** Veuillez lire les consignes de sécurité, instructions, illustrations et spécifications qui accompagnent cet outil électrique. Le non-respect de toutes les instructions indiquées ci-dessous peut entraîner une électrocution, un incendie et/ou de graves blessures.

### Conservez toutes les mises en garde et instructions pour référence ultérieure.

Le terme « outil électrique » dans les avertissements fait référence à l'outil électrique alimenté par le secteur (avec cordon d'alimentation) ou à l'outil électrique fonctionnant sur batterie (sans cordon d'alimentation).

### Consignes de sécurité pour rabot sans fil

1. Attendez que l'outil de coupe s'arrête avant de poser l'outil. Un outil de coupe en rotation exposé peut pénétrer dans la surface, ce qui peut provoquer une perte de maîtrise et de graves blessures.
2. Utilisez des dispositifs de serrage ou un autre moyen pratique pour fixer et soutenir la pièce sur une plateforme stable. La pièce sera instable et vous risquerez d'en perdre la maîtrise si vous la tenez avec une main ou l'appuyez contre votre corps.
3. Ne laissez jamais de chiffons, linges, cordons, cordes et objets similaires sur la zone de travail.
4. Évitez les clous. Avant de travailler la pièce, inspectez-la et retirez tous les clous.
5. N'utilisez que des lames affûtées. Manipulez les lames avec beaucoup de précaution.
6. Assurez-vous que les boulons de fixation des lames sont bien serrés avant utilisation.
7. Tenez l'outil fermement à deux mains.
8. Gardez les mains à l'écart des pièces en rotation.
9. Avant d'utiliser l'outil sur la pièce, laissez-le tourner à vide un instant. Soyez attentif aux vibrations ou sautilllements pouvant indiquer que la lame n'est pas bien installée ou est mal équilibrée.
10. Assurez-vous que la lame n'entre pas en contact avec la pièce avant de mettre l'outil sous tension.
11. Attendez que la lame atteigne sa pleine vitesse avant de procéder à la coupe.

12. Avant de régler la profondeur de coupe, mettez toujours l'outil hors tension et attendez l'arrêt complet des lames.
13. Ne mettez jamais le doigt dans la goulotte à copeaux. Il se peut qu'elle se bouche lorsque vous coupez du bois humide. Retirez les copeaux avec un bout de bâton.
14. N'abandonnez pas l'outil alors qu'il tourne. Ne faites fonctionner l'outil qu'une fois que vous l'avez bien en main.
15. Lorsque vous remplacez les lames ou certaines pièces sur le tambour, veillez à remplacer les pièces sur les deux côtés du tambour comme un ensemble. Sinon, cela entraînera un déséquilibre qui provoquera des vibrations et réduira la durée de service de l'outil.
16. N'utilisez que les lames Makita spécifiées dans ce manuel.
17. Utilisez toujours un masque anti-poussière ou un masque filtrant approprié au matériau et à l'application.
18. Utilisez l'outil dans des conditions stables. Une utilisation dans des conditions instables peut entraîner des blessures.

### CONSERVEZ CES INSTRUCTIONS.

**⚠️ AVERTISSEMENT :** NE vous laissez PAS tromper (au fil d'une utilisation répétée) par un sentiment d'aisance et de familiarité avec le produit, en négligeant le respect rigoureux des consignes de sécurité qui accompagnent le produit en question.

La MAUVAISE UTILISATION de l'outil ou l'ignorance des consignes de sécurité indiquées dans ce mode d'emploi peut entraîner de graves blessures.

### Consignes de sécurité importantes pour la batterie

1. Avant d'utiliser la batterie, lisez toutes les instructions et précautions relatives (1) au chargeur de batterie, (2) à la batterie, et (3) au produit utilisant la batterie.
2. Ne désassemblez pas et ne modifiez pas la batterie. Cela pourrait entraîner un incendie, une chaleur excessive ou une explosion.
3. Cessez immédiatement l'utilisation si le temps de fonctionnement devient excessivement court. Il y a risque de surchauffe, de brûlures, voire d'explosion.
4. Si l'électrolyte pénètre dans vos yeux, rincez-les à l'eau claire et consultez immédiatement un médecin. Il y a risque de perte de la vue.
5. Ne court-circuitez pas la batterie :
  - (1) Ne touchez les bornes avec aucun matériau conducteur.
  - (2) Évitez de ranger la batterie dans un conteneur avec d'autres objets métalliques, par exemple des clous, des pièces de monnaie, etc.
  - (3) N'exposez pas la batterie à l'eau ou à la pluie.

Un court-circuit de la batterie peut provoquer une intensité de courant élevée, une surchauffe, parfois des brûlures et même une panne.

6. Ne rangez ni n'utilisez l'outil et la batterie dans un endroit où la température risque d'atteindre ou de dépasser 50 °C.
7. Ne jetez pas la batterie au feu même si elle est sérieusement endommagée ou complètement épuisée. La batterie peut exploser au contact du feu.
8. Abstenez-vous de clouer, couper, écraser, jeter, laisser tomber la batterie, ou de la heurter contre un objet dur. Cela pourrait entraîner un incendie, une chaleur excessive ou une explosion.
9. N'utilisez pas la batterie si elle est endommagée.
10. Les batteries au lithium-ion contenues sont soumises aux exigences de la législation sur les marchandises dangereuses. Lors du transport commercial par des tierces parties ou des transitaires par exemple, des exigences spécifiques en matière d'étiquetage et d'emballage doivent être respectées. Pour la préparation de l'article expédié, il est nécessaire de consulter un expert en matériau dangereux. Veuillez également respecter les réglementations nationales susceptibles d'être plus détaillées. Recouvrez les contacts exposés avec du ruban adhésif ou du ruban de masquage et emballez la batterie de telle sorte qu'elle ne puisse pas bouger dans l'emballage.
11. Lors de la mise au rebut de la batterie, retirez-la de l'outil et jetez-la en lieu sûr. Suivez les réglementations locales en matière de mise au rebut des batteries.
12. Utilisez les batteries uniquement avec les produits spécifiés par Makita. L'insertion de batteries dans des produits non conformes peut provoquer un incendie, une chaleur excessive, une explosion ou une fuite de l'électrolyte.
13. Lorsque vous n'utilisez pas l'outil pendant une période prolongée, la batterie doit être retirée de l'outil.
14. Pendant et après l'utilisation, la batterie peut chauffer, ce qui peut entraîner des brûlures, y compris en cas de température relativement basse. Manipulez les batteries chaudes avec précaution.
15. Ne touchez pas la borne de l'outil immédiatement après utilisation car elle peut être assez chaude pour provoquer des brûlures.
16. Évitez que des copeaux, de la poussière ou du sol adhèrent aux bornes, aux trous et aux rainures de la batterie. Cela peut provoquer un échauffement, un incendie, une explosion ou un dysfonctionnement de l'outil ou de la batterie, ce qui peut entraîner des brûlures ou des blessures.
17. À moins que l'outil prenne en charge un tel usage, n'utilisez pas la batterie à proximité de lignes électriques haute tension. Cela pourrait entraîner un dysfonctionnement ou casser l'outil ou la batterie.

18. Conservez la batterie hors de portée des enfants.

## CONSERVEZ CES INSTRUCTIONS.

**⚠ ATTENTION :** N'utilisez que des batteries Makita d'origine. L'utilisation de batteries de marque autre que Makita ou de batteries modifiées peut provoquer l'explosion des batteries, ce qui présente un risque d'incendie, de dommages matériels et corporels. Cela annulera également la garantie Makita pour l'outil et le chargeur Makita.

## Conseils pour assurer la durée de vie optimale de la batterie

1. Chargez la batterie avant qu'elle ne soit complètement déchargée. Arrêtez toujours l'outil et rechargez la batterie quand vous remarquez que la puissance de l'outil diminue.
2. Ne rechargez jamais une batterie complètement chargée. La surcharge réduit la durée de service de la batterie.
3. Chargez la batterie à une température ambiante comprise entre 10 °C et 40 °C. Avant de charger une batterie chaude, laissez-la refroidir.
4. Lorsque vous n'utilisez pas la batterie, retirez-la de l'outil ou du chargeur.
5. Rechargez la batterie si elle est restée inutilisée pendant une période prolongée (plus de six mois).

## Consignes de sécurité importantes pour le connecteur sans fil

1. Ne démontez ni ne modifiez le connecteur sans fil.
2. Conservez le connecteur sans fil hors de portée des jeunes enfants. En cas d'ingestion accidentelle, consultez immédiatement un médecin.
3. Utilisez le connecteur sans fil uniquement avec des outils Makita.
4. N'exposez pas le connecteur sans fil à la pluie ou à l'humidité.
5. N'utilisez pas le connecteur sans fil dans un endroit où la température dépasse 50 °C.
6. Ne faites pas fonctionner le connecteur sans fil dans un endroit où des appareils médicaux comme des simulateurs cardiaques sont utilisés.
7. Ne faites pas fonctionner le connecteur sans fil dans un endroit où des appareils automatiques sont utilisés. Sinon, ces appareils pourraient présenter un dysfonctionnement ou une erreur.
8. N'utilisez pas le connecteur sans fil dans un endroit à température élevée ou dans un endroit susceptible de générer de l'électricité statique ou du bruit électrique.
9. Le connecteur sans fil peut produire des champs électromagnétiques (CEM), mais ceux-ci ne sont pas dangereux pour l'utilisateur.

10. Le connecteur sans fil est un instrument de précision. Évitez de laisser tomber ou de cogner le connecteur sans fil.
11. Évitez de toucher la borne du connecteur sans fil avec les mains nues ou avec des objets métalliques.
12. Retirez toujours la batterie du produit avant d'y installer le connecteur sans fil.
13. Évitez d'ouvrir le couvercle de la fente dans un endroit où de la poussière ou de l'eau pourrait pénétrer dans la fente. Maintenez toujours propre l'entrée de la fente.
14. Insérez toujours le connecteur sans fil dans le bon sens.
15. N'appuyez pas trop fort sur le bouton d'activation sans fil du connecteur sans fil, ni n'appuyez dessus avec un objet pointu.
16. Fermez toujours le couvercle de la fente pendant le fonctionnement.
17. **Ne retirez pas le connecteur sans fil de la fente alors que l'outil est sous tension.** Vous risqueriez de provoquer un dysfonctionnement du connecteur sans fil.
18. **Ne retirez pas l'autocollant du connecteur sans fil.**
19. **Ne placez pas d'autocollant sur le connecteur sans fil.**
20. **Ne laissez pas le connecteur sans fil dans un endroit susceptible de générer de l'électricité statique ou du bruit électrique.**
21. **Ne laissez pas le connecteur sans fil dans un endroit soumis à une forte chaleur, comme une voiture en plein soleil.**
22. **Ne laissez pas le connecteur sans fil dans un endroit poussiéreux ou sablonneux ou dans un endroit susceptible de générer des gaz corrosifs.**
23. **De la condensation peut se former sur le connecteur sans fil en cas de brusque changement de température. N'utilisez pas le connecteur sans fil tant que la condensation n'a pas complètement séché.**
24. **Pour nettoyer le connecteur sans fil, essuyez-le délicatement avec un chiffon doux et sec. N'utilisez pas de benzine, diluant, graisse conductrice ou autre.**
25. **Rangez le connecteur sans fil en le conservant dans l'étui fourni ou dans un récipient anti-statique.**
26. **N'insérez pas d'autres dispositifs que le connecteur sans fil Makita dans la fente sur l'outil.**
27. **N'utilisez pas l'outil si le couvercle de la fente est endommagé.** L'eau, la poussière ou la saleté pourraient pénétrer dans la fente provoquant un dysfonctionnement.
28. **Ne tirez, ni ne tordez plus que nécessaire le couvercle de la fente.** Remettez le couvercle en place s'il se détache de l'outil.
29. **Remplacez le couvercle de la fente si vous le perdez ou l'endommagez.**

## CONSERVEZ CES INSTRUCTIONS.

## DESCRIPTION DU FONCTIONNEMENT

**ATTENTION :** Assurez-vous toujours que l'outil est hors tension et que sa batterie est retirée avant de l'ajuster ou de vérifier son fonctionnement.

### Insertion ou retrait de la batterie

**ATTENTION :** Éteignez toujours l'outil avant de mettre en place ou de retirer la batterie.

**ATTENTION :** Tenez fermement l'outil et la batterie lors de la mise en place ou du retrait de la batterie. Si vous ne tenez pas fermement l'outil et la batterie, ils peuvent vous glisser des mains, et s'abîmer ou vous blesser.

► Fig.1: 1. Indicateur rouge 2. Bouton 3. Batterie

Pour retirer la batterie, faites-la glisser hors de l'outil tout en faisant glisser le bouton à l'avant de la batterie.

Pour mettre la batterie en place, alignez la languette de la batterie avec la rainure du compartiment puis insérez la batterie. Insérez-la entièrement jusqu'à entendre un léger déclic indiquant qu'elle est bien en place. Si vous pouvez voir l'indicateur rouge comme illustré sur la figure, c'est qu'elle n'est pas bien verrouillée.

**ATTENTION :** Insérez toujours complètement la batterie jusqu'à ce que l'indicateur rouge ne soit plus visible. Sinon, elle pourrait tomber accidentellement de l'outil, au risque de vous blesser ou de blesser quelqu'un se trouvant près de vous.

**ATTENTION :** N'insérez pas la batterie de force. Si elle ne glisse pas facilement, c'est que vous ne l'insérez pas correctement.

### Système de protection de l'outil/la batterie

L'outil est équipé d'un système de protection de l'outil/la batterie. Ce système coupe automatiquement l'alimentation vers le moteur pour prolonger la durée de vie de l'outil et de la batterie. Si l'outil ou la batterie se trouve dans l'une des situations suivantes, l'outil cessera automatiquement de fonctionner.

#### Protection contre la surcharge

Lorsque l'outil ou la batterie est utilisé(e) d'une manière provoquant un appel de courant anormalement élevé, l'outil s'arrête automatiquement. Dans ce cas, éteignez l'outil et arrêtez la tâche ayant provoqué la surcharge de l'outil. Puis rallumez l'outil pour reprendre la tâche.

#### Protection contre la surchauffe

En cas de surchauffe de l'outil ou de la batterie, l'outil s'arrête automatiquement. Dans ce cas, laissez l'outil ou la batterie refroidir avant de rallumer l'outil.



## Protection contre la décharge totale de la batterie

Lorsque la charge de la batterie est insuffisante, l'outil s'arrête automatiquement. Dans ce cas, retirez la batterie de l'outil et chargez-la.

## Protections contre d'autres causes

Le système de protection est également conçu pour d'autres causes qui pourraient endommager l'outil et lui permet de s'arrêter automatiquement. Suivez toutes les étapes ci-dessous pour éliminer les causes, lorsque l'outil a été arrêté provisoirement ou a cessé de fonctionner.

1. Éteignez l'outil, puis rallumez-le pour le redémarrer.
2. Chargez la ou les batteries ou remplacez-les par des batteries rechargées.
3. Laissez l'outil et la ou les batteries refroidir.

En l'absence d'amélioration après avoir rétabli le système de protection, contactez votre centre de service Makita local.

## Indication de la charge restante de la batterie

Appuyez sur le bouton de vérification sur la batterie pour indiquer la charge restante de la batterie. Les témoins s'allument pendant quelques secondes.

► **Fig.2:** 1. Témoins 2. Bouton de vérification

Témoins			Charge restante
Allumé	Éteint	Clignotant	
■	□	◐	75 % à 100 %
■	■	□	50 % à 75 %
■	■	□	25 % à 50 %
■	□	□	0 % à 25 %
◐	□	□	Chargez la batterie.
■	■	□	Anomalie possible de la batterie.
□	□	■	

**NOTE :** Selon les conditions d'utilisation et la température ambiante, l'indication peut être légèrement différente de la capacité réelle.

**NOTE :** Le premier témoin (complètement à gauche) clignotera pendant le fonctionnement du système de protection de la batterie.

## Réglage de la profondeur de coupe

**ATTENTION :** Avant de régler la profondeur de coupe, mettez toujours l'outil hors tension et attendez l'arrêt complet des lames.

**NOTE :** Lorsque vous tournez la molette de réglage de la profondeur, veillez à fermement tenir la poignée de l'autre main.

La profondeur de coupe peut être réglée en tournant la molette de réglage de la profondeur sur l'avant de l'outil. Tournez la molette pour aligner l'index sur la profondeur de coupe souhaitée sur l'échelle de profondeur.

- **Fig.3:** 1. Molette de réglage de la profondeur  
2. Index 3. Échelle de profondeur

## Interrupteur

**AVERTISSEMENT :** Avant d'insérer la batterie dans l'outil, vérifiez toujours que la gâchette fonctionne bien et revient en position d'arrêt lorsque vous la relâchez.

**AVERTISSEMENT :** NE bloquez JAMAIS le bouton de sécurité avec du ruban ou de toute autre manière. Une gâchette dont le bouton de sécurité est bloqué comporte un risque d'activation accidentelle pouvant entraîner de graves blessures.

**AVERTISSEMENT :** N'utilisez JAMAIS l'outil s'il se met en marche lorsque vous enclenchez simplement la gâchette sans avoir enfoncé le bouton de sécurité. Une gâchette devant être réparée comporte un risque d'activation accidentelle pouvant entraîner de graves blessures. Confiez l'outil à un centre d'entretien Makita pour le faire réparer AVANT de poursuivre l'utilisation.

**REMARQUE :** Évitez d'appuyer sur la gâchette avec force lorsque le bouton de sécurité n'est pas enfoncé. Vous risqueriez de briser la gâchette.

Le bouton de déverrouillage est prévu pour éviter l'activation accidentelle de la gâchette. Pour démarrer l'outil, maintenez enfoncé le bouton de déverrouillage puis enclenchez la gâchette. Pour l'arrêter, relâchez la gâchette.

► **Fig.4:** 1. Gâchette 2. Bouton de sécurité

## Pied

Le pied jaillit de la semelle arrière lorsque vous soulevez l'outil depuis une surface de travail pour éviter que les lames de rabot touchent directement la pièce. Cela protège les lames de rabot des dommages accidentels lorsqu'elles ne sont pas utilisées.

Le pied revient dans la semelle arrière chaque fois que vous posez la semelle de l'outil sur une surface de travail.

► **Fig.5:** 1. Lame de rabot 2. Semelle arrière 3. Pied 4. Surface de travail



## Fonction de prévention de redémarrage accidentel

Si vous insérez la batterie tout en enclenchant la gâchette, l'outil ne démarrera pas. Pour démarrer l'outil, relâchez la gâchette, puis enclenchez-la à nouveau tout en enfonceant le bouton de déverrouillage.

## Fonctions électroniques

L'outil est doté des fonctions électroniques suivantes pour en faciliter le fonctionnement.

### Frein électrique

L'outil est équipé d'un frein électrique. Si systématiquement l'outil n'arrive pas à s'arrêter rapidement après avoir relâché la gâchette, faites réparer l'outil dans votre centre de service Makita local.

## Fonction de démarrage en douceur

La fonction de démarrage en douceur minimise le choc au démarrage et permet de démarrer l'outil en douceur.

# ASSEMBLAGE

**⚠ ATTENTION :** Assurez-vous toujours que l'outil est hors tension et que sa batterie est retirée avant d'effectuer toute tâche dessus.

## Rangement de la clé à œil

Lorsque vous n'utilisez pas la clé à œil, rangez-la comme illustré sur la figure pour éviter de la perdre.

► **Fig.6:** 1. Clé à œil

## Dépose et pose des lames de rabot

**⚠ ATTENTION :** Serrez avec soin les boulons de fixation des lames lorsque vous fixez les lames de rabot à l'outil. Vérifiez toujours qu'ils sont bien serrés. Un boulon de fixation mal serré représente un danger.

**⚠ ATTENTION :** Manipulez les lames de rabot avec beaucoup de précaution. Portez des gants ou utilisez un chiffon pour protéger vos doigts ou vos mains lors de la dépose et de la pose des lames de rabot.

**⚠ ATTENTION :** N'utilisez que la clé Makita fournie pour déposer et poser les lames de rabot. Autrement, les boulons de fixation risquent d'être trop ou pas assez serrés. Ce qui comporte un risque de blessure.

**REMARQUE :** Pour installer les lames de rabot, retirez tous les copeaux ou corps étrangers collés au tambour ou aux lames de rabot. Utilisez des lames de rabot de dimensions et poids identiques, sinon il se produira une oscillation/vibration du tambour, ce qui peut provoquer un mauvais rabotage et une rupture de l'outil.

## Pour les outils avec lames de rabot standard

**NOTE :** Une paire de lames de rabot est assemblée dans le tambour. Répétez les procédures suivantes pour chaque lame de rabot.

### Dépose des lames de rabot standard

1. Dévissez les boulons de fixation du tambour au moyen de la clé à œil fournie.
2. Désassemblez la plaque du tambour et la lame de rabot standard (avec la plaque de réglage) du tambour.  
► **Fig.7:** 1. Boulon de fixation 2. Plaque du tambour 3. Lame standard (avec plaque de réglage) 4. Tambour
3. Desserrez les vis de la lame de rabot standard, puis retirez la plaque de réglage.  
► **Fig.8:** 1. Vis 2. Lame de rabot standard 3. Plaque de réglage

### Pose des lames de rabot standard

1. Posez une lame de rabot standard sur la jauge de lame, en alignant son tranchant le long de la paroi guide sur la jauge de lame horizontalement.  
► **Fig.9:** 1. Lame de rabot standard 2. Jauge de lame 3. Tranchant 4. Paroi guide
2. Placez la plaque de réglage sur la lame de rabot standard, puis serrez légèrement les vis.
3. Poussez la plaque de réglage vers l'avant jusqu'à ce que son guide de positionnement repose parfaitement et complètement contre la paroi latérale arrière de la jauge de lame.
4. Tenez la plaque de réglage là où elle est et serrez les vis pour la maintenir en place.  
► **Fig.10:** 1. Plaque de réglage 2. Lame de rabot standard 3. Vis 4. Guide de positionnement 5. Paroi latérale arrière 6. Jauge de lame

5. Retirez tous les copeaux de bois et les corps étrangers collés au tambour et à la lame de rabot standard.
6. Glissez le guide de positionnement de la plaque de réglage dans la rainure du guide sur le tambour, puis placez la plaque du tambour sur la lame de rabot standard (avec la plaque de réglage).
7. Serrez en étoile tous les boulons de fixation de manière régulière avec la clé à œil.  
► **Fig.11:** 1. Guide de positionnement 2. Plaque de réglage 3. Rainure de guidage 4. Tambour 5. Plaque du tambour 6. Lame de rabot standard 7. Boulon de fixation

## Pour les outils avec mini-lames de rabot

**NOTE :** Une paire de lames de rabot est assemblée dans le tambour. Répétez les procédures suivantes pour chaque lame de rabot.

## Retrait des mini-lames de rabot

1. Desserrez les boulons de fixation d'un tour au moyen de la clé à œil fournie.

► **Fig.12:** 1. Boulon de fixation 2. Clé à œil

2. Faites glisser la mini-lame de rabot hors du tambour en poussant une extrémité de la lame vers l'extérieur depuis le côté du couvercle de la courroie.

► **Fig.13:** 1. Mini-lame de rabot 2. Tambour  
3. Couvercle de la courroie 4. Poignée en T de la clé à œil

**NOTE :** Utilisez les extrémités de la poignée en T de la clé à œil pour glisser la mini-lame de rabot dehors en vue d'un fonctionnement et d'une maintenance plus sûrs.

## Installation des mini-lames de rabot

1. Retirez tous les copeaux de bois et les corps étrangers collés au tambour et à la mini-lame de rabot.

2. Glissez une mini-lame de rabot entre le tambour et la plaque de fixation en poussant une extrémité de la lame vers l'intérieur depuis le côté opposé vers le couvercle de la courroie.

3. Serrez en étoile tous les boulons de fixation de manière régulière avec la clé à œil.

► **Fig.14:** 1. Mini-lame de rabot 2. Tambour 3. Plaque de fixation 4. Couvercle de la courroie  
5. Boulon de fixation 6. Clé à œil

## Calibrage de la mini-lame de rabot

Procédez au calibrage des lames de rabot à des intervalles réguliers pour optimiser l'efficacité du travail.

1. Desserrez les boulons de fixation d'un tour au moyen de la clé à œil fournie.

2. Faites glisser la mini-lame de rabot hors du tambour en poussant une extrémité de la lame vers l'extérieur depuis le côté du couvercle de la courroie.

3. Dévissez les boulons de fixation du tambour au moyen de la clé à œil.

4. Désassemblez la plaque du tambour et la plaque de fixation (avec la plaque de réglage) du tambour.

► **Fig.15:** 1. Boulon de fixation 2. Plaque du tambour  
3. Plaque de fixation (avec la plaque de réglage) 4. Tambour

5. Desserrez les vis sur la plaque de fixation d'un tour pour libérer la plaque de réglage.

► **Fig.16:** 1. Vis 2. Plaque de fixation 3. Plaque de réglage

6. Retirez tous les copeaux de bois et les corps étrangers collés à la plaque de fixation (avec la plaque de réglage) et la mini-lame de rabot.

7. Posez la mini-lame de rabot sur la jauge de lame, en alignant son tranchant le long de la paroi guide sur la jauge de lame horizontalement.

8. Placez la plaque de fixation (avec la plaque de réglage) sur la mini-lame de rabot, en alignant les encoches du guide sur la plaque de fixation avec les rainures du guide sur la mini-lame de rabot.

► **Fig.17:** 1. Mini-lame de rabot 2. Jauge de lame  
3. Tranchant 4. Paroi guide 5. Plaque de fixation (avec la plaque de réglage)  
6. Encoche du guide 7. Rainure de guidage

9. Poussez la plaque de réglage vers l'avant jusqu'à ce que son guide de positionnement repose parfaitement et complètement contre la paroi latérale arrière de la jauge de lame.

10. Tenez la plaque de réglage là où elle est et serrez les vis pour la maintenir en place.

► **Fig.18:** 1. Plaque de réglage 2. Plaque de fixation  
3. Vis 4. Guide de positionnement 5. Paroi latérale arrière 6. Jauge de lame

11. Glissez le guide de positionnement de la plaque de réglage dans la rainure du guide sur le tambour, puis placez la plaque du tambour sur la plaque de fixation (avec la plaque de réglage).

► **Fig.19:** 1. Guide de positionnement 2. Plaque de réglage 3. Rainure de guidage 4. Tambour  
5. Plaque du tambour 6. Plaque de fixation  
7. Boulon de fixation

12. Serrez légèrement les boulons de fixation et glissez la mini-lame de rabot entre le tambour et la plaque de fixation en poussant une extrémité de la lame vers l'intérieur depuis le côté opposé au couvercle de la courroie.

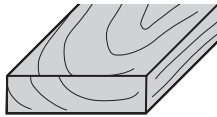
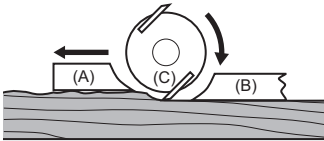
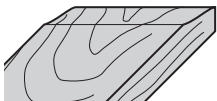
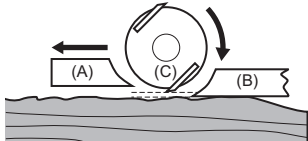
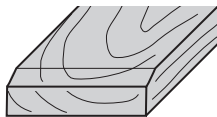
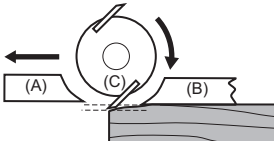
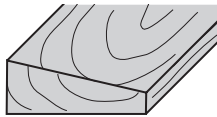
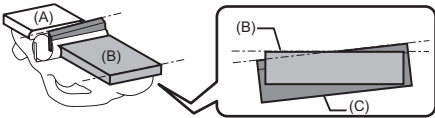
13. Serrez en étoile tous les boulons de fixation de manière régulière avec la clé à œil.

► **Fig.20:** 1. Mini-lame de rabot 2. Tambour 3. Plaque de fixation 4. Couvercle de la courroie  
5. Boulon de fixation 6. Clé à œil

## Réglages de la lame de rabot

La surface rabotée présentera des aspérités et sera inégale si les lames de rabot ne sont pas correctement et solidement fixées.

Posez correctement les lames de rabot de sorte que les tranchants soient en angle droit, sur un niveau absolu avec la ligne de base arrière, et exactement parallèles à la semelle du rabot. Lisez les exemples du tableau pour consulter les réglages corrects.

Surface de rabotage	Fixation de la lame	Cause
Fixation correcte 		Les tranchants sont au même niveau que la ligne de base arrière et parallèles à la semelle du rabot.
Évidage au début 		Les tranchants n'atteignent pas suffisamment la ligne de base arrière.
Évidage à la fin 		Les tranchants dépassent la ligne de base arrière.
Surface penchée 		Les tranchants sont côte à côte, mais pas parallèles à la semelle du rabot.

(A) : Semelle avant (sabot réglable)  
(B) : Semelle arrière (sabot fixe)  
(C) : Lame de rabot

## Installation de la règle de guidage

1. Posez l'outil avec le couvercle de la courroie tourné vers le haut.
2. Montez la règle de guidage en la maintenant en place avec la vis à oreilles dans l'orifice de montage sur le côté de la tête de l'outil.  
► **Fig.21:** 1. Couvercle de la courroie 2. Règle de guidage 3. Vis à oreilles 4. Orifice de montage
3. Faites entrer et sortir le garde latéral à la largeur de rabotage souhaitée, puis serrez la vis à oreilles pour le maintenir en place sur la position requise.  
► **Fig.22:** 1. Garde latéral 2. Vis à oreilles

## Installation du guide de profondeur

1. Posez l'outil avec le couvercle de la courroie tourné vers le bas.
2. Montez le guide de profondeur en le maintenant en place avec la rondelle et la vis à oreilles dans l'orifice de montage sur le côté de la tête de l'outil.  
► **Fig.23:** 1. Couvercle de la courroie 2. Guide de profondeur 3. Rondelle 4. Vis à oreilles 5. Orifice de montage
3. Glissez en haut et en bas le guide de profondeur à la profondeur de rabotage souhaitée, puis serrez la vis à oreilles pour le maintenir en place sur la position requise.  
► **Fig.24:** 1. Guide de profondeur 2. Vis à oreilles

## Installation de la règle de chanfreinage

### Accessoire en option

1. Posez l'outil avec la semelle avant tournée vers le haut.
2. Fixez les gardes latéraux sur les bras de montage, en alignant les parties saillantes sur les bras avec les fentes du guide dans les gardes latéraux, et maintenez-les en place avec les rondelles et les vis à oreilles.
3. Montez les règles de chanfreinage (ensembles de gardes latéraux et de bras de montage) en les maintenant en place avec les vis à oreilles dans les orifices de montage des deux côtés de la tête de l'outil.  
► **Fig.25:** 1. Semelle avant 2. Garde latéral 3. Bras de montage 4. Partie saillante 5. Fente du guide 6. Rondelle 7. Vis à oreilles 8. Orifice de montage

4. Faites entrer et sortir les gardes latéraux selon la plage de chanfreinage souhaitée, puis serrez les vis à oreilles pour les maintenir en place sur la position requise.

► **Fig.26:** 1. Garde latéral 2. Vis à oreilles

## Extraction des poussières et des copeaux de bois

Les poussières et les copeaux de bois peuvent être expulsés du côté gauche ou droit des ouvertures de chute. Couvrez l'une des ouvertures de chute sur le côté opposé à votre sens d'extraction des poussières préféré avec la butée.

Pour retirer la butée de l'ouverture de chute, tournez-la légèrement vers la poignée pour débloquer le verrou, puis sortez-la.

► **Fig.27:** 1. Butée 2. Poignée

Quant à son installation, insérez la butée tout droit dans l'une des ouvertures en alignant la fente de blocage dans la butée avec la partie saillante du guide sur l'ouverture jusqu'à ce qu'elle se verrouille en place.

► **Fig.28:** 1. Butée 2. Fente de blocage 3. Partie saillante du guide

## Sac à poussière

### Accessoire en option

Fixez le sac à poussière sur l'une des ouvertures de chute et poussez fermement à fond. Assurez-vous que le sac à poussière est solidement posé sur l'ouverture conique et qu'il ne se détachera pas en cours de fonctionnement.

► **Fig.29:** 1. Sac à poussière 2. Ouverture de chute

Lorsque le sac à poussière est environ à moitié plein, retirez-le de l'outil et tirez sur la barrette. Videz le sac à poussière. Tapotez légèrement sur le sac à poussière pour retirer les particules qui adhèrent à sa surface intérieure et risqueraient de faire obstacle à la collecte de la poussière par la suite.

► **Fig.30:** 1. Barrette

**NOTE :** Si vous raccordez un aspirateur Makita à cet outil, vous pourrez procéder à des opérations plus efficaces et plus propres.

## Raccordement d'un aspirateur

Pour un rabotage propre, raccordez un aspirateur Makita à votre outil. Raccordez le tuyau de l'aspirateur à l'une des ouvertures de chute comme illustré sur la figure.

► **Fig.31:** 1. Aspirateur

## Coude

### Accessoire en option

Utilisez un coude extracteur de poussière pour concentrer le débit d'air de l'extraction aux angles préférés pour un environnement de travail plus propre. Fixez le coude sur l'une des ouvertures de chute et poussez fermement à fond.

► **Fig.32:** 1. Coude

## UTILISATION

**ATTENTION :** Tenez fermement l'outil avec une main sur la poignée pistolet et l'autre main sur la molette de réglage de la profondeur lorsque vous faites fonctionner l'outil.

## Rabotage

1. Tenez fermement l'outil des deux mains, avec une main sur la poignée pistolet et l'autre sur la molette de réglage de la profondeur.
2. Posez à plat la semelle avant de l'outil sur la surface de la pièce sans que les lames de rabot ne la touchent.
3. Mettez l'outil sous tension et attendez qu'il atteigne sa pleine vitesse.
4. Déplacez délicatement l'outil vers l'avant, en exerçant une pression légèrement supérieure vers le bas sur la molette de réglage de la profondeur au début afin de maintenir l'intégralité de la semelle du rabot au même niveau et uniformément par rapport à la surface de la pièce.

► **Fig.33**

5. Exercez avec précaution une pression uniforme sur la surface de la pièce en plein fonctionnement et poussez l'outil sans à-coups vers l'avant.

► **Fig.34**

**NOTE :** Équilibrez la pression manuelle entre la poignée pistolet et la molette de réglage de la profondeur à mesure que les semelles avant et arrière touchent la surface de la pièce.

6. Augmentez le contrôle sur la poignée pistolet pour éviter de dépasser à la fin d'une passe étant donné que la semelle avant se détachera de la surface de la pièce.

► **Fig.35**

**NOTE :** Le rabotage peut être facilité en plaçant la pièce avec une légère inclinaison avant afin de diminuer la pression de maintien de l'outil pendant le fonctionnement.

**NOTE :** Réglez la vitesse de coupe et la profondeur selon les finitions de surface souhaitées.

Pour une finition grossière, réglez la profondeur de coupe suffisamment loin dans la pièce.

Pour une finition nette et précise, poussez lentement l'outil avec une profondeur de coupe peu profonde et faites plus de passes.

## Polissage d'angle (feuillure)

### ► Fig.36

Utilisez la règle de guidage pour effectuer une feuillure comme illustré sur la figure.

1. Installez la règle de guidage et le guide de profondeur dans l'outil et maintenez-les en place avec les rondelles et les vis à oreilles.

2. Réglez le guide de profondeur sur la profondeur de polissage d'angle et maintenez-le en place avec la vis à oreilles.

3. Dessinez un trait de coupe sur la pièce et alignez le tranchant de la lame sur le trait de coupe.

► **Fig.37:** 1. Tranchant de la lame 2. Ligne de coupe 3. Guide de profondeur 4. Vis à oreilles

**NOTE :** Assurez-vous que le tranchant de la lame sort du côté latéral du tambour de 1,6 mm à 1,8 mm pour le polissage d'angle. (Voir « A » dans la figure suivante.)

\* Vous pouvez choisir de laisser la lame sortir du côté latéral de la semelle avant de 0,2 mm à 0,4 mm. (Voir « B » dans la figure suivante.)

► **Fig.38:** 1. Tranchant de la lame 2. Côté latéral du tambour 3. Côté latéral de la semelle avant

4. Glissez le garde latéral dans la règle de guidage jusqu'à ce qu'il entre en contact avec la paroi latérale de la pièce. Puis, maintenez-le en place avec la vis à oreilles.

► **Fig.39:** 1. Règle de guidage 2. Garde latéral 3. Paroi latérale 4. Vis à oreilles

5. Procédez au rabotage en déplaçant l'outil avec le garde latéral entier glissant le long de la paroi latérale de la pièce.

**NOTE :** Les longueurs de portée du guide peuvent être étendues en fixant un morceau de bois supplémentaire sur les orifices de fixation dans le guide.

► **Fig.40:** 1. Morceau de bois supplémentaire 2. Orifices de fixation

## Chanfreinage

### ► Fig.41

Utilisez la coupe de rainures en « V » dans la semelle avant pour effectuer une coupe de chanfreinage comme illustré sur la figure.

Procédez au rabotage en déplaçant l'outil en alignant l'une des trois rainures en « V » sur la semelle avant avec l'arête de la pièce.

► **Fig.42:** 1. Rainure en V (quantité moyenne de chanfreinage) 2. Rainure en V (petite quantité de chanfreinage) 3. Rainure en V (grande quantité de chanfreinage)

## Utilisation de la règle de chanfreinage

### Accessoire en option

1. Glissez les gardes latéraux dans les règles de chanfreinage vers l'intérieur jusqu'à ce qu'ils entrent en contact avec les parois des coins de la pièce.

2. Fixez les gardes latéraux en place avec les vis à oreilles.

3. Procédez au rabotage en déplaçant l'outil avec les gardes latéraux entiers glissant le long des parois des coins de la pièce.

► **Fig.43:** 1. Règle de chanfreinage 2. Gardes latéraux 3. Vis à oreilles

**NOTE :** Pour les grands chanfreinages, faites plusieurs passes de rabotage, en commençant par un petit chanfreinage jusqu'à un grand chanfreinage, comme illustré sur la figure.

► **Fig.44:** 1. Bord de la règle de chanfreinage 2. Petit chanfreinage 3. Grand chanfreinage

## FONCTION D'ACTIVATION SANS FIL

### À quoi sert la fonction d'activation sans fil

La fonction d'activation sans fil offre un fonctionnement propre et confortable. En raccordant un aspirateur compatible à l'outil, vous pouvez déclencher automatiquement l'aspirateur en utilisant l'interrupteur de l'outil.

### ► Fig.45

Pour utiliser la fonction d'activation sans fil, préparez les éléments suivants :

- Un connecteur sans fil (accessoire en option)
- Un aspirateur compatible avec la fonction d'activation sans fil

Vous trouverez ci-après une vue d'ensemble de la fonction d'activation sans fil. Consultez chaque section pour en savoir plus sur la marche à suivre.

1. Installation du connecteur sans fil
2. Enregistrement de l'outil pour l'aspirateur
3. Démarrage de la fonction d'activation sans fil

## Installation du connecteur sans fil

### Accessoire en option

**⚠ ATTENTION :** Placez l'outil sur une surface plane et stable pour y installer le connecteur sans fil.

**REMARQUE :** Retirez la poussière et la saleté sur l'outil avant d'installer le connecteur sans fil. La poussière ou la saleté peuvent provoquer des dysfonctionnements si elles pénètrent dans la fente sur le connecteur sans fil.

**REMARQUE :** Pour éviter un dysfonctionnement provoqué par l'électricité statique, touchez un matériau conducteur comme la partie métallique de l'outil, avant de prendre dans vos mains le connecteur sans fil.

**REMARQUE :** Lorsque vous installez le connecteur sans fil, veillez toujours à l'insérer dans le bon sens et assurez-vous que le couvercle est complètement fermé.

1. Ouvrez le couvercle sur l'outil comme illustré sur la figure.

► Fig.46: 1. Couvercle

2. Insérez le connecteur sans fil dans la fente, puis refermez le couvercle.

Lors de l'insertion du connecteur sans fil, alignez les parties saillantes avec les parties creuses sur la fente.

► Fig.47: 1. Connecteur sans fil 2. Partie saillante 3. Couvercle 4. Partie creuse

Pour retirer le connecteur sans fil, ouvrez lentement le couvercle. Les crochets au dos du couvercle soulèveront le connecteur sans fil à mesure que vous tirez le couvercle vers le haut.

► Fig.48: 1. Connecteur sans fil 2. Crochet 3. Couvercle

Après avoir retiré le connecteur sans fil, gardez-le dans l'étui fourni ou dans un récipient anti-statique.

**REMARQUE :** Utilisez toujours les crochets au dos du couvercle lorsque vous retirez le connecteur sans fil. Si les crochets ne s'attachent pas au connecteur sans fil, fermez complètement le couvercle, puis rouvrez-le lentement.

## Enregistrement de l'outil pour l'aspirateur

**NOTE :** Un aspirateur Makita compatible avec la fonction d'activation sans fil est nécessaire pour l'enregistrement de l'outil.

**NOTE :** Terminez la mise en place du connecteur sans fil sur l'outil avant de commencer l'enregistrement de l'outil.

**NOTE :** Pendant l'enregistrement de l'outil, n'enclenchez pas la gâchette, ni ne mettez sous tension l'aspirateur.

**NOTE :** Consultez aussi le mode d'emploi de l'aspirateur.

Si vous souhaitez activer l'aspirateur en utilisant l'interrupteur de l'outil, terminez d'abord l'enregistrement de l'outil.

1. Insérez les batteries dans l'aspirateur et l'outil.

2. Placez le bouton de veille de l'aspirateur sur « AUTO ».

► Fig.49: 1. Bouton de veille

3. Appuyez sur le bouton d'activation sans fil de l'aspirateur pendant 3 secondes jusqu'à ce que le témoin d'activation sans fil clignote en vert. Puis appuyez sur le bouton d'activation sans fil de l'outil de la même façon.

► Fig.50: 1. Bouton d'activation sans fil 2. Témoin d'activation sans fil

Si la liaison entre l'aspirateur et l'outil est réussie, les témoins d'activation sans fil s'allumeront en vert pendant 2 secondes et se mettront à clignoter en bleu.

**NOTE :** Les témoins d'activation sans fil cessent de clignoter en vert au bout de 20 secondes. Appuyez sur le bouton d'activation sans fil de l'outil pendant que le témoin d'activation sans fil de l'aspirateur clignote. Si le témoin d'activation sans fil ne clignote pas en vert, appuyez brièvement sur le bouton d'activation sans fil et maintenez-le à nouveau enfoncé.

**NOTE :** Si vous effectuez plus de deux enregistrements d'outils pour un seul aspirateur, terminez-les l'un après l'autre.

## Démarrage de la fonction d'activation sans fil

**NOTE :** Terminez l'enregistrement de l'outil pour l'aspirateur avant l'activation sans fil.

**NOTE :** Consultez aussi le mode d'emploi de l'aspirateur.

Après avoir enregistré un outil sur l'aspirateur, ce dernier se déclenchera automatiquement en utilisant l'interrupteur de l'outil.

1. Installez le connecteur sans fil sur l'outil.

2. Raccordez le tuyau de l'aspirateur à l'outil.

► Fig.51

3. Placez le bouton de veille de l'aspirateur sur « AUTO ».

► Fig.52: 1. Bouton de veille

4. Appuyez brièvement sur le bouton d'activation sans fil sur l'outil. Le témoin d'activation sans fil clignote en bleu.

► Fig.53: 1. Bouton d'activation sans fil 2. Témoin d'activation sans fil

5. Mettez l'outil sous tension. Vérifiez que l'aspirateur fonctionne pendant le fonctionnement de l'outil.

Pour arrêter l'activation sans fil de l'aspirateur, appuyez sur le bouton d'activation sans fil de l'outil.

**NOTE** : Le témoin d'activation sans fil de l'outil cessera de clignoter en bleu en l'absence d'opérations pendant 2 heures. Dans ce cas, placez le bouton de veille de l'aspirateur sur « AUTO » et appuyez à nouveau sur le bouton d'activation sans fil de l'outil.

**NOTE** : L'aspirateur démarre/s'arrête avec un léger retard. Il y a un décalage lorsque l'aspirateur détecte l'utilisation de l'interrupteur de l'outil.










**NOTE** : La distance de transmission du connecteur sans fil peut varier selon l'emplacement et les conditions environnantes.

**NOTE** : Si plus de deux outils sont enregistrés sur un aspirateur, ce dernier peut se mettre en marche sans que vous le mettiez sous tension, car un autre utilisateur emploie la fonction d'activation sans fil.

## Description du statut du témoin d'activation sans fil

### ► Fig.54: 1. Témoin d'activation sans fil

Le témoin d'activation sans fil indique le statut de la fonction d'activation sans fil. Consultez le tableau ci-dessous pour la signification du statut du témoin.

Statut	Témoin d'activation sans fil			Description	
	Couleur	 Allumé	 Clignotant		Durée
Veille	Bleu			2 heures	L'activation sans fil de l'aspirateur est disponible. Le témoin s'éteint automatiquement en l'absence d'opérations pendant 2 heures.
				Pendant le fonctionnement de l'outil.	L'activation sans fil de l'aspirateur est disponible et l'outil fonctionne.
Enregistrement de l'outil	Vert			20 secondes	Prêt pour l'enregistrement de l'outil. En attente d'enregistrement par l'aspirateur.
				2 secondes	L'enregistrement de l'outil est terminé. Le témoin d'activation sans fil se met à clignoter en bleu.
Annulation de l'enregistrement de l'outil	Rouge			20 secondes	Prêt pour l'annulation de l'enregistrement de l'outil. En attente d'annulation par l'aspirateur.
				2 secondes	L'annulation de l'enregistrement de l'outil est terminée. Le témoin d'activation sans fil se met à clignoter en bleu.
Autres	Rouge			3 secondes	Le connecteur sans fil est alimenté en électricité et la fonction d'activation sans fil démarre.
	Éteint	-		-	L'activation sans fil de l'aspirateur est arrêtée.

## Annulation de l'enregistrement de l'outil pour l'aspirateur

Procédez comme indiqué ci-après pour annuler l'enregistrement de l'outil pour l'aspirateur.

1. Insérez les batteries dans l'aspirateur et l'outil.
2. Placez le bouton de veille de l'aspirateur sur « AUTO ».

► Fig.55: 1. Bouton de veille

3. Appuyez sur le bouton d'activation sans fil de l'aspirateur pendant 6 secondes. Le témoin d'activation sans fil clignote en vert, puis devient rouge. Après cela, appuyez sur le bouton d'activation sans fil de l'outil de la même façon.

► Fig.56: 1. Bouton d'activation sans fil 2. Témoin d'activation sans fil

Si l'annulation est réussie, les témoins d'activation sans fil s'allumeront en rouge pendant 2 secondes et se mettront à clignoter en bleu.

**NOTE** : Les témoins d'activation sans fil arrêtent de clignoter en rouge au bout de 20 secondes. Appuyez sur le bouton d'activation sans fil de l'outil pendant que le témoin d'activation sans fil de l'aspirateur clignote. Si le témoin d'activation sans fil ne clignote pas en rouge, appuyez brièvement sur le bouton d'activation sans fil et maintenez-le à nouveau enfoncé.

## Guide de dépannage de la fonction d'activation sans fil

Avant de faire une demande de réparation, effectuez d'abord vous-même une inspection. Si vous rencontrez un problème non documenté dans le mode d'emploi, n'essayez pas de démonter l'outil. Demandez plutôt à un centre de service après-vente Makita agréé d'effectuer la réparation au moyen de pièces de rechange Makita.

État d'anomalie	Cause probable (dysfonctionnement)	Solution
Le témoin d'activation sans fil ne s'allume pas ou ne clignote pas.	Le connecteur sans fil n'est pas installé sur l'outil. Le connecteur sans fil est mal installé sur l'outil.	Installez correctement le connecteur sans fil.
	La borne du connecteur sans fil et/ou la fente sont sales.	Essayez délicatement la poussière et la saleté sur la borne du connecteur sans fil et nettoyez la fente.
	Le bouton d'activation sans fil de l'outil n'a pas été enfoncé.	Appuyez brièvement sur le bouton d'activation sans fil sur l'outil.
	Le bouton de veille de l'aspirateur n'est pas placé sur « AUTO ».	Placez le bouton de veille de l'aspirateur sur « AUTO ».
	Pas d'alimentation électrique	Mettez sous tension l'outil électrique et l'aspirateur.
Impossible de terminer correctement l'enregistrement de l'outil/l'annulation de l'enregistrement de l'outil.	Le connecteur sans fil n'est pas installé sur l'outil. Le connecteur sans fil est mal installé sur l'outil.	Installez correctement le connecteur sans fil.
	La borne du connecteur sans fil et/ou la fente sont sales.	Essayez délicatement la poussière et la saleté sur la borne du connecteur sans fil et nettoyez la fente.
	Le bouton de veille de l'aspirateur n'est pas placé sur « AUTO ».	Placez le bouton de veille de l'aspirateur sur « AUTO ».
	Pas d'alimentation électrique	Mettez sous tension l'outil électrique et l'aspirateur.
	Fonctionnement incorrect	Appuyez brièvement sur le bouton d'activation sans fil et recommencez l'enregistrement de l'outil/l'annulation de l'enregistrement de l'outil.
	L'outil et l'aspirateur sont éloignés l'un de l'autre (hors de la portée de transmission).	Rapprochez l'outil de l'aspirateur. La distance de transmission maximum est d'environ 10 m, toutefois elle peut varier selon les circonstances.
	Avant de terminer l'enregistrement/l'annulation de l'outil ; - l'interrupteur de l'outil est en position de marche ou ; - le bouton d'alimentation de l'aspirateur est placé sur Marche.	Appuyez brièvement sur le bouton d'activation sans fil et recommencez l'enregistrement de l'outil/l'annulation de l'enregistrement de l'outil.
	Les procédures d'enregistrement de l'outil pour l'outil ou l'aspirateur ne sont pas terminées.	Procédez à l'enregistrement de l'outil à la fois pour l'outil et l'aspirateur en même temps.
L'aspirateur ne se met pas en marche avec l'utilisation de l'interrupteur de l'outil.	Le connecteur sans fil n'est pas installé sur l'outil. Le connecteur sans fil est mal installé sur l'outil.	Installez correctement le connecteur sans fil.
	La borne du connecteur sans fil et/ou la fente sont sales.	Essayez délicatement la poussière et la saleté sur la borne du connecteur sans fil et nettoyez la fente.
	Le bouton d'activation sans fil de l'outil n'a pas été enfoncé.	Appuyez brièvement sur le bouton d'activation sans fil et assurez-vous que le témoin d'activation sans fil clignote en bleu.
	Le bouton de veille de l'aspirateur n'est pas placé sur « AUTO ».	Placez le bouton de veille de l'aspirateur sur « AUTO ».
	Plus de 10 outils sont enregistrés sur l'aspirateur.	Recommencez l'enregistrement de l'outil. Si plus de 10 outils sont enregistrés sur l'aspirateur, l'outil enregistré le plus tôt sera automatiquement annulé.
	L'aspirateur a effacé tous les enregistrements d'outils.	Recommencez l'enregistrement de l'outil.
	Pas d'alimentation électrique	Mettez sous tension l'outil électrique et l'aspirateur.
	L'outil et l'aspirateur sont éloignés l'un de l'autre (hors de la portée de transmission).	Rapprochez l'outil de l'aspirateur. La distance de transmission maximum est d'environ 10 m, toutefois elle peut varier selon les circonstances.
	Interférence radio d'autres appareils qui génèrent des ondes radio puissantes.	Maintenez l'outil et l'aspirateur à l'écart des appareils comme des appareils Wi-Fi et des fours à micro-ondes.
L'aspirateur fonctionne alors que l'outil ne fonctionne pas.	D'autres utilisateurs emploient la fonction d'activation sans fil de l'aspirateur avec leurs outils.	Placez le bouton d'activation sans fil des autres outils sur Arrêt ou annulez l'enregistrement de l'outil des autres outils.



## ENTRETIEN

**⚠ ATTENTION :** Assurez-vous toujours que l'outil est hors tension et que la batterie est retirée avant d'y effectuer tout travail d'inspection ou d'entretien.

**REMARQUE :** N'utilisez jamais d'essence, benzine, diluant, alcool ou autre produit similaire. Cela risquerait de provoquer la décoloration, la déformation ou la fissuration de l'outil.

Pour assurer la SÉCURITÉ et la FIABILITÉ du produit, toute réparation, tout travail d'entretien ou de réglage doivent être effectués par un centre d'entretien Makita agréé, avec des pièces de rechange Makita.

## Nettoyage des ouvertures de chute des copeaux

Nettoyez régulièrement les ouvertures de chute des copeaux. Utilisez de l'air comprimé pour nettoyer les ouvertures de chute des copeaux si elles sont bouchées.

## Affûtage des lames

### *Pour les lames de rabot standard uniquement*

Gardez toujours vos lames de rabot bien affûtées pour une performance optimale. Utilisez le support d'affûtage (accessoire en option) pour affiner en sécurité et efficacement les tranchants des lames de rabot.

► **Fig.57:** 1. Support d'affûtage 2. Lame

1. Desserrez les deux écrous à oreilles dans le support d'affûtage.
2. Glissez les extrémités arrière des lames de rabot dans les fentes de montage à fond avec les tranchants à affûter tournés vers le bas.  
► **Fig.58:** 1. Support d'affûtage 2. Écrou à oreilles 3. Lame 4. Tranchant 5. Fentes de montage 6. Tête de boulon

3. Serrez les écrous à oreilles pour maintenir en place les lames de rabot.
4. Faites tremper une pierre d'affûtage dans l'eau pendant 2 ou 3 minutes avant d'affûter.
5. Tenez fermement le support d'affûtage et posez délicatement les tranchants sur la surface de la pierre d'affûtage.
6. Affûtez les tranchants en déplaçant d'avant en arrière le support d'affûtage.  
► **Fig.59**

## ACCESSOIRES EN OPTION

**⚠ ATTENTION :** Ces accessoires ou pièces complémentaires sont recommandés pour l'utilisation avec l'outil Makita spécifié dans ce mode d'emploi. L'utilisation de tout autre accessoire ou pièce complémentaire peut comporter un risque de blessure. N'utilisez les accessoires ou pièces complémentaires qu'aux fins auxquelles ils ont été conçus.

Si vous désirez obtenir plus de détails concernant ces accessoires, veuillez contacter votre centre de service après-vente Makita local.

- Lame de rabot en acier grande vitesse
- Lame de rabot en carbure de tungstène (pour une durée de vie plus longue des lames)
- Mini-lame de rabot
- Ensemble du support d'affûtage
- Ensemble de la jauge de lame
- Ensemble de la plaque de fixation
- Ensemble de la règle de guidage
- Pierre d'affûtage
- Ensemble du sac à poussière
- Coude
- Ensemble de la règle de chanfreinage
- Connecteur sans fil
- Batterie et chargeur Makita d'origine

**NOTE :** Il se peut que certains éléments de la liste soient compris dans l'emballage de l'outil en tant qu'accessoires standard. Ils peuvent varier d'un pays à l'autre.

## TECHNISCHE DATEN

Modell:	KP001G
Hobelbreite	82 mm
Hobeltiefe	4 mm
Überfällungstiefe	25 mm
Leerlaufdrehzahl	15.000 min <sup>-1</sup>
Gesamtlänge (mit BL4040)	385 mm
Nennspannung	Gleichstrom 36 V - 40 V max.
Nettogewicht	3,7 - 4,9 kg

- Wir behalten uns vor, Änderungen der technischen Daten im Zuge der Entwicklung und des technischen Fortschritts ohne vorherige Ankündigung vorzunehmen.
- Die technischen Daten und der Akku können von Land zu Land unterschiedlich sein.
- Das Gewicht kann abhängig von dem Aufsatz (den Aufsätzen), einschließlich des Akkus, unterschiedlich sein. Die leichteste und die schwerste Kombination, gemäß dem EPTA-Verfahren 01/2014, sind in der Tabelle angegeben.

### Zutreffende Akkus und Ladegeräte

Akku	BL4020* / BL4025* / BL4040* / BL4050F / BL4080F * : Empfohlener Akku
Ladegerät	DC40RA / DC40RB / DC40RC

- Einige der oben aufgelisteten Akkus und Ladegeräte sind je nach Ihrem Wohngebiet eventuell nicht erhältlich.

**⚠️ WARNUNG:** Verwenden Sie nur die oben aufgeführten Akkus und Ladegeräte. Bei Verwendung irgendwelcher anderer Akkus und Ladegeräte besteht Verletzungs- und/oder Brandgefahr.

### Vorgesehene Verwendung

Das Werkzeug ist zum Hobeln von Holz vorgesehen.

### Geräusch

Typischer A-bewerteter Geräuschpegel ermittelt gemäß EN62841-2-14:

Schalldruckpegel (L<sub>pA</sub>): 90 dB (A)

Schallleistungspegel (L<sub>WA</sub>): 98 dB (A)

Messunsicherheit (K): 3 dB (A)

**HINWEIS:** Der (Die) angegebene(n) Schallemissionswert(e) wurde(n) im Einklang mit der Standardprüfmethode gemessen und kann (können) für den Vergleich zwischen Werkzeugen herangezogen werden.

**HINWEIS:** Der (Die) angegebene(n) Schallemissionswert(e) kann (können) auch für eine Vorbewertung des Gefährdungsgrads verwendet werden.

**⚠️ WARNUNG:** Einen Gehörschutz tragen.

**⚠️ WARNUNG:** Die Schallemission während der tatsächlichen Benutzung des Elektrowerkzeugs kann je nach der Benutzungsweise des Werkzeugs, und speziell je nach der Art des bearbeiteten Werkstücks, von dem (den) angegebenen Wert(en) abweichen.

**⚠️ WARNUNG:** Identifizieren Sie Sicherheitsmaßnahmen zum Schutz des Benutzers anhand einer Schätzung des Gefährdungsgrads unter den tatsächlichen Benutzungsbedingungen (unter Berücksichtigung aller Phasen des Arbeitszyklus, wie z. B. Ausschalt- und Leerlaufzeiten des Werkzeugs zusätzlich zur Betriebszeit).

### Schwingungen

Schwingungsgesamtwert (Drei-Achsen-Vektorsumme) ermittelt gemäß EN62841-2-14:

Arbeitsmodus: Oberflächenschleifen

Schwingungsemission (a<sub>h</sub>): 4,3 m/s<sup>2</sup>

Messunsicherheit (K): 1,5 m/s<sup>2</sup>

**HINWEIS:** Der (Die) angegebene(n)

Vibrationsgesamtwert(e) wurde(n) im Einklang mit der Standardprüfmethode gemessen und kann (können) für den Vergleich zwischen Werkzeugen herangezogen werden.

**HINWEIS:** Der (Die) angegebene(n)

Vibrationsgesamtwert(e) kann (können) auch für eine Vorbewertung des Gefährdungsgrads verwendet werden.

**⚠️ WARNUNG:** Die Vibrationsemission während der tatsächlichen Benutzung des Elektrowerkzeugs kann je nach der Benutzungsweise des Werkzeugs, und speziell je nach der Art des bearbeiteten Werkstücks, von dem (den) angegebenen Emissionswert(en) abweichen.

**⚠️ WARNUNG:** Identifizieren Sie Sicherheitsmaßnahmen zum Schutz des Benutzers anhand einer Schätzung des Gefährdungsgrads unter den tatsächlichen Benutzungsbedingungen (unter Berücksichtigung aller Phasen des Arbeitszyklus, wie z. B. Ausschalt- und Leerlaufzeiten des Werkzeugs zusätzlich zur Betriebszeit).

## Konformitätserklärungen

### Nur für europäische Länder

Die Konformitätserklärungen sind in Anhang A dieser Betriebsanleitung enthalten.

## SICHERHEITSWARNUNGEN

### Allgemeine Sicherheitswarnungen für Elektrowerkzeuge

**⚠️ WARNUNG:** Lesen Sie alle mit diesem Elektrowerkzeug gelieferten Sicherheitswarnungen, Anweisungen, Abbildungen und technischen Daten durch. Eine Missachtung der unten aufgeführten Anweisungen kann zu einem elektrischen Schlag, Brand und/oder schweren Verletzungen führen.

### Bewahren Sie alle Warnungen und Anweisungen für spätere Bezugnahme auf.

Der Ausdruck „Elektrowerkzeug“ in den Warnhinweisen bezieht sich auf Ihr mit Netzstrom (mit Kabel) oder Akku (ohne Kabel) betriebenes Elektrowerkzeug.

## Sicherheitswarnungen für Akku-Hobel

1. **Warten Sie, bis das Messer zum Stillstand kommt, bevor Sie das Werkzeug ablegen.** Das freiliegende Rotationsmesser könnte sonst in die Oberfläche eingreifen, was zu einem möglichen Verlust der Kontrolle und ernsthaften Verletzungen führen kann.
2. **Verwenden Sie Klemmen oder eine andere praktische Methode, um das Werkstück auf einer stabilen Unterlage zu sichern und abzustützen.** Wenn Sie das Werkstück nur mit der Hand oder gegen Ihren Körper halten, befindet es sich in einer instabilen Lage, die zum Verlust der Kontrolle führen kann.
3. **Lassen Sie niemals Lappen, Tücher, Kabel, Schnüre und dergleichen im Arbeitsbereich herumliegen.**
4. **Vermeiden Sie das Schneiden von Nägeln.** Untersuchen Sie das Werkstück sorgfältig auf Nägel, und entfernen Sie diese vor der Bearbeitung.
5. **Verwenden Sie nur scharfe Messer.** Behandeln Sie die Messer mit größter Sorgfalt.
6. **Vergewissern Sie sich vor der Arbeit, dass die Messerbefestigungsschrauben sicher festgezogen sind.**
7. **Halten Sie das Werkzeug mit beiden Händen fest.**
8. **Halten Sie Ihre Hände von rotierenden Teilen fern.**
9. **Lassen Sie das Werkzeug vor der eigentlichen Bearbeitung eines Werkstücks eine Weile laufen.** Achten Sie auf Vibrationen oder Taumelbewegungen, die Anzeichen für schlechte Montage oder ein schlecht ausgewuchtetes Messer sein können.
10. **Vergewissern Sie sich vor dem Einschalten des Werkzeugs, dass das Messer nicht das Werkstück berührt.**
11. **Warten Sie, bis das Messer die volle Drehzahl erreicht hat, bevor Sie mit dem Schneiden beginnen.**
12. **Schalten Sie das Werkzeug stets aus, und warten Sie, bis die Messer zum vollständigen Stillstand kommen, bevor Sie die Schnitttiefe einstellen.**
13. **Stecken Sie niemals Ihren Finger in den Spanauswurf.** Der Spanauswurf kann blockiert werden, wenn feuchtes Holz gehobelt wird. Entfernen Sie Späne mit einem Stock.
14. **Lassen Sie das Werkzeug nicht unbeaufsichtigt laufen.** Benutzen Sie das Werkzeug nur im handgeführten Einsatz.
15. **Wenn Sie die Messer oder Teile der Trommel austauschen, tauschen Sie unbedingt die Teile auf beiden Seiten der Trommel als Satz aus.** Andernfalls verursacht die resultierende Unwucht Vibrationen und verkürzt die Nutzungsdauer des Werkzeugs.
16. **Verwenden Sie nur die in dieser Anleitung angegebenen Makita-Messer.**
17. **Verwenden Sie stets die korrekte Staubschutz-/Atemmaske für das jeweilige Material und die Anwendung.**

18. **Betreiben Sie das Werkzeug unter stabilen Bedingungen.** Der Betrieb unter instabilen Bedingungen kann zu einer Beschädigung oder Verletzung führen.

## **DIESE ANWEISUNGEN AUFBEWAHREN.**

**⚠️ WARNUNG:** Lassen Sie sich **NICHT** durch **Bequemlichkeit oder Vertrautheit mit dem Produkt** (durch wiederholten Gebrauch erworben) von der **strikten Einhaltung der Sicherheitsregeln für das vorliegende Produkt abhalten.**

**MISSBRAUCH** oder **Missachtung der Sicherheitsvorschriften** in dieser Anleitung können **schwere Verletzungen verursachen.**

### **Wichtige Sicherheitsanweisungen für Akku**

1. **Lesen Sie vor der Benutzung des Akkus alle Anweisungen und Warnhinweise, die an (1) Ladegerät, (2) Akku und (3) Akkuwerkzeug angebracht sind.**
2. **Unterlassen Sie Zerlegen oder Manipulieren des Akkus.** Es kann sonst zu einem Brand, übermäßiger Hitzeentwicklung oder einer Explosion kommen.
3. **Falls die Betriebszeit beträchtlich kürzer geworden ist, stellen Sie den Betrieb sofort ein.** Anderenfalls besteht die Gefahr von Überhitzung, möglichen Verbrennungen und sogar einer Explosion.
4. **Falls Elektrolyt in Ihre Augen gelangt, waschen Sie sie mit sauberem Wasser aus, und begeben Sie sich unverzüglich in ärztliche Behandlung.** Anderenfalls können Sie Ihre Sehkraft verlieren.
5. **Der Akku darf nicht kurzgeschlossen werden:**
  - (1) **Die Kontakte dürfen nicht mit leitfähigem Material berührt werden.**
  - (2) **Lagern Sie den Akku nicht in einem Behälter zusammen mit anderen Metallgegenständen, wie z. B. Nägeln, Münzen usw.**
  - (3) **Setzen Sie den Akku weder Wasser noch Regen aus.****Ein Kurzschluss des Akkus verursacht starken Stromfluss, der Überhitzung, mögliche Verbrennungen und einen Defekt zur Folge haben kann.**
6. **Lagern und benutzen Sie das Werkzeug und den Akku nicht an Orten, an denen die Temperatur 50 °C erreichen oder überschreiten kann.**
7. **Versuchen Sie niemals, den Akku zu verbrennen, selbst wenn er stark beschädigt oder vollkommen verbraucht ist.** Der Akku kann im Feuer explodieren.
8. **Unterlassen Sie Nageln, Schneiden, Zerquetschen, Werfen, Fallenlassen des Akkus oder Schlagen des Akkus mit einem harten Gegenstand.** Eine solche Handlung kann zu einem Brand, übermäßiger Hitzeentwicklung oder einer Explosion führen.

9. **Benutzen Sie keine beschädigten Akkus.**
10. **Die enthaltenen Lithium-Ionen-Akkus unterliegen den Anforderungen der Gefahrgutgesetzgebung.**

Für kommerzielle Transporte, z. B. durch Dritte oder Spediteure, müssen besondere Anforderungen zu Verpackung und Etikettierung beachtet werden.

Zur Vorbereitung des zu transportierenden Artikels ist eine Beratung durch einen Experten für Gefahrgut erforderlich. Bitte beachten Sie möglicherweise ausführlichere nationale Vorschriften. Überkleben oder verdecken Sie offene Kontakte, und verpacken Sie den Akku so, dass er sich in der Verpackung nicht umher bewegen kann.
11. **Entfernen Sie den Akku zum Entsorgen vom Werkzeug, und entsorgen Sie ihn an einem sicheren Ort.** Befolgen Sie die örtlichen Vorschriften bezüglich der Entsorgung von Akkus.
12. **Verwenden Sie die Akkus nur mit den von Makita angegebenen Produkten.** Das Einsetzen der Akkus in nicht konforme Produkte kann zu einem Brand, übermäßiger Hitzebildung, einer Explosion oder Auslaufen von Elektrolyt führen.
13. **Soll das Werkzeug längere Zeit nicht benutzt werden, muss der Akku vom Werkzeug entfernt werden.**
14. **Bei und nach dem Gebrauch kann der Akku heiß werden, was Verbrennungen oder Niedertemperaturverbrennungen verursachen kann.** Beachten Sie die Handhabung von heißen Akkus.
15. **Berühren Sie nicht den Anschlusskontakt des Werkzeugs unmittelbar nach dem Gebrauch, da er heiß genug werden kann, um Verbrennungen zu verursachen.**
16. **Achten Sie darauf, dass sich keine Späne, Staub oder Schmutz in den Anschlusskontakten, Löchern und Nuten des Akkus absetzen.** Es könnte sonst zu Erhitzung, Brandauslösung, Bersten und Funktionsstörungen des Werkzeugs oder des Akkus kommen, was zu Verbrennungen oder Personenschäden führen kann.
17. **Wenn das Werkzeug den Einsatz in der Nähe einer Hochspannungs-Stromleitung nicht unterstützt, benutzen Sie den Akku nicht in der Nähe einer Hochspannungs-Stromleitung.** Dies kann zu einer Funktionsstörung oder Betriebsstörung des Werkzeugs oder des Akkus führen.
18. **Halten Sie die Batterie von Kindern fern.**

## **DIESE ANWEISUNGEN AUFBEWAHREN.**

**⚠️ VORSICHT:** Verwenden Sie nur **Original-Makita-Akkus**. Die Verwendung von Nicht-Original-Makita-Akkus oder von Akkus, die abgeändert worden sind, kann zum Bersten des Akkus und daraus resultierenden Bränden, Personenschäden und Beschädigung führen. Außerdem wird dadurch die Makita-Garantie für das Makita-Werkzeug und -Ladegerät ungültig.

# Hinweise zur Aufrechterhaltung der maximalen Akku-Nutzungsdauer

1. Laden Sie den Akku, bevor er vollkommen erschöpft ist. Schalten Sie das Werkzeug stets aus, und laden Sie den Akku, wenn Sie ein Nachlassen der Werkzeugleistung feststellen.
2. Unterlassen Sie erneutes Laden eines voll aufgeladenen Akkus. Überladen führt zu einer Verkürzung der Nutzungsdauer des Akkus.
3. Laden Sie den Akku bei Raumtemperatur zwischen 10 – 40 °C. Lassen Sie einen heißen Akku abkühlen, bevor Sie ihn laden.
4. Wenn Sie den Akku nicht benutzen, nehmen Sie ihn vom Werkzeug oder Ladegerät ab.
5. Der Akku muss geladen werden, wenn er lange Zeit (länger als sechs Monate) nicht benutzt wird.

## Wichtige Sicherheitsanweisungen für Funk-Adapter

1. Unterlassen Sie Zerlegen oder Manipulieren des Funk-Adapters.
2. Halten Sie den Funk-Adapter von kleinen Kindern fern. Suchen Sie bei versehentlichem Verschlucken sofort ärztliche Behandlung auf.
3. Benutzen Sie den Funk-Adapter nur mit Makita-Werkzeugen.
4. Setzen Sie den Funk-Adapter keinem Regen oder Nässe aus.
5. Benutzen Sie den Funk-Adapter nicht an Orten, wo die Temperatur 50 °C überschreitet.
6. Betreiben Sie den Funk-Adapter nicht an Orten, in deren Nähe sich medizinische Geräte, wie z. B. Herzschrittmacher, befinden.
7. Betreiben Sie den Funk-Adapter nicht an Orten, in deren Nähe sich automatisierte Geräte befinden. Bei Betrieb kann in den automatisierten Geräten eine Funktionsstörung oder ein Fehler entstehen.
8. Betreiben Sie den Funk-Adapter nicht an Orten unter hohen Temperaturen oder an Orten, wo statische Elektrizität oder elektrisches Rauschen erzeugt werden könnte.
9. Der Funk-Adapter kann elektromagnetische Felder (EMF) erzeugen, die aber für den Benutzer nicht gesundheitsschädlich sind.
10. Der Funk-Adapter ist ein Präzisionsinstrument. Achten Sie darauf, dass der Funk-Adapter nicht fallen gelassen oder Stößen ausgesetzt wird.
11. Vermeiden Sie Berühren der Kontakte des Funk-Adapters mit bloßen Händen oder Metallgegenständen.
12. Entfernen Sie stets den Akku vom Produkt, bevor Sie den Funk-Adapter installieren.
13. Öffnen Sie den Deckel des Steckplatzes nicht an Orten, wo Staub und Wasser in den Steckplatz eindringen können. Halten Sie den Einlass des Steckplatzes stets sauber.
14. Führen Sie den Funk-Adapter stets in der korrekten Richtung ein.
15. Drücken Sie nicht zu fest und/oder mit einem scharfkantigen Gegenstand auf die Funk-Aktivierungstaste des Funk-Adapters.
16. Halten Sie den Deckel des Steckplatzes beim Betrieb immer geschlossen.
17. Entfernen Sie den Funk-Adapter nicht aus dem Steckplatz, während das Werkzeug mit Strom versorgt wird. Anderenfalls kann eine Funktionsstörung des Funk-Adapters verursacht werden.
18. Entfernen Sie nicht den Aufkleber vom Funk-Adapter.
19. Kleben Sie keinen anderen Aufkleber auf den Funk-Adapter.
20. Lassen Sie den Funk-Adapter nicht an einem Ort liegen, wo statische Elektrizität oder elektrisches Rauschen erzeugt werden könnte.
21. Lassen Sie den Funk-Adapter nicht an einem Ort liegen, der starker Hitze ausgesetzt ist, wie z. B. in einem in praller Sonne geparkten Auto.
22. Lassen Sie den Funk-Adapter nicht an einem Ort liegen, der Staub oder Puder aufweist, oder an dem ein korrosives Gas erzeugt werden könnte.
23. Plötzliche Temperaturschwankungen können den Funk-Adapter betauen. Benutzen Sie den Funk-Adapter nicht eher, bis der Tau vollständig getrocknet ist.
24. Wischen Sie den Funk-Adapter zum Reinigen sachte mit einem trockenen, weichen Tuch ab. Verwenden Sie kein Waschbenzin, kein leitfähiges Fett, keinen Verdünnner oder dergleichen.
25. Bewahren Sie den Funk-Adapter zur Lagerung in der mitgelieferten Schachtel oder einem statikfreien Behälter auf.
26. Führen Sie keine anderen Geräte außer dem Makita-Funk-Adapter in den Steckplatz des Werkzeugs ein.
27. Benutzen Sie das Werkzeug nicht, wenn der Deckel des Steckplatzes beschädigt ist. Wasser, Staub und Schmutz, die in den Steckplatz eindringen, können eine Funktionsstörung verursachen.
28. Ziehen und/oder verdrehen Sie den Deckel des Steckplatzes nicht mehr als nötig. Bringen Sie den Deckel wieder an, falls er sich vom Werkzeug löst.
29. Ersetzen Sie den Deckel des Steckplatzes, falls er verloren geht oder beschädigt wird.

## BEWAHREN SIE DIESE ANLEITUNG AUF.

# FUNKTIONSBESCHREIBUNG

**⚠ VORSICHT:** Vergewissern Sie sich vor der Durchführung von Einstellungen oder Funktionsprüfungen des Werkzeugs stets, dass das Werkzeug ausgeschaltet und der Akku abgenommen ist.

## Anbringen und Abnehmen des Akkus

**⚠ VORSICHT:** Schalten Sie das Werkzeug stets aus, bevor Sie den Akku anbringen oder abnehmen.

**⚠ VORSICHT:** Halten Sie das Werkzeug und den Akku beim Anbringen oder Abnehmen des Akkus sicher fest. Wenn Sie das Werkzeug und den Akku nicht sicher festhalten, können sie Ihnen aus der Hand rutschen, was zu einer Beschädigung des Werkzeugs und des Akkus und zu Körperverletzungen führen kann.

► **Abb.1:** 1. Rote Anzeige 2. Knopf 3. Akku

Ziehen Sie den Akku zum Abnehmen vom Werkzeug ab, während Sie den Knopf an der Vorderseite des Akkus verschieben.

Richten Sie zum Anbringen des Akkus dessen Führungsfeder auf die Nut im Gehäuse aus, und schieben Sie den Akku hinein. Schieben Sie ihn vollständig ein, bis er mit einem leisen Klicken einrastet. Wenn Sie die rote Anzeige sehen können, wie in der Abbildung gezeigt, ist der Akku nicht vollständig verriegelt.

**⚠ VORSICHT:** Schieben Sie den Akku stets bis zum Anschlag ein, bis die rote Anzeige nicht mehr sichtbar ist. Anderenfalls kann er aus dem Werkzeug herausfallen und Sie oder umstehende Personen verletzen.

**⚠ VORSICHT:** Unterlassen Sie Gewaltanwendung beim Anbringen des Akkus. Falls der Akku nicht reibungslos hineingleitet, ist er nicht richtig ausgerichtet.

## Werkzeug/Akku-Schutzsystem

Das Werkzeug ist mit einem Werkzeug/Akku-Schutzsystem ausgestattet. Dieses System schaltet die Stromversorgung des Motors automatisch ab, um die Lebensdauer von Werkzeug und Akku zu verlängern. Das Werkzeug bleibt während des Betriebs automatisch stehen, wenn das Werkzeug oder der Akku einer der folgenden Bedingungen unterliegt:

### Überlastschutz

Wird das Werkzeug/der Akku auf eine Weise benutzt, die eine ungewöhnlich hohe Stromaufnahme bewirkt, bleibt das Werkzeug automatisch stehen. Schalten Sie in dieser Situation das Werkzeug aus, und brechen Sie die Arbeit ab, die eine Überlastung des Werkzeugs verursacht hat. Schalten Sie dann das Werkzeug wieder ein, um es neu zu starten.

### Überhitzungsschutz

Wenn das Werkzeug/der Akku überhitzt wird, bleibt das Werkzeug automatisch stehen. Lassen Sie das Werkzeug/den Akku in dieser Situation abkühlen, bevor Sie das Werkzeug wieder einschalten.

### Überentladungsschutz

Wenn die Akkukapazität unzureichend wird, bleibt das Werkzeug automatisch stehen. Nehmen Sie in diesem Fall den Akku vom Werkzeug ab, und laden Sie ihn auf.

### Schutz gegen andere Ursachen

Das Schutzsystem ist auch für andere Ursachen ausgelegt, die eine Beschädigung des Werkzeugs bewirken könnten, und ermöglicht automatisches Anhalten des Werkzeugs. Führen Sie alle folgenden Schritte aus, um die Ursachen zu beseitigen, wenn das Werkzeug zu einem vorübergehenden Stillstand oder Betriebsstopp gekommen ist.

1. Schalten Sie das Werkzeug aus und wieder ein, um es neu zu starten.
2. Laden Sie den/die Akku(s) auf, oder tauschen Sie ihn/sie gegen einen aufgeladenen Akku/aufgeladene Akkus aus.
3. Lassen Sie das Werkzeug und den/die Akku(s) abkühlen.

Falls die Wiederherstellung des Schutzsystems keine Besserung bringt, wenden Sie sich an Ihre lokale Makita-Kundendienststelle.

## Anzeigen der Akku-Restkapazität

Drücken Sie die Prüftaste am Akku, um die Akku-Restkapazität anzuzeigen. Die Anzeigelampen leuchten wenige Sekunden lang auf.

► **Abb.2:** 1. Anzeigelampen 2. Prüftaste

Anzeigelampen			Restkapazität
Erleuchtet	Aus	Blinkend	
			75% bis 100%
			50% bis 75%
			25% bis 50%
			0% bis 25%
			Den Akku aufladen.
			Möglicherweise liegt eine Funktionsstörung im Akku vor.

**HINWEIS:** Abhängig von den Benutzungsbedingungen und der Umgebungstemperatur kann die Anzeige geringfügig von der tatsächlichen Kapazität abweichen.

**HINWEIS:** Die erste (äußerste linke) Anzeigelampe blinkt, wenn das Akku-Schutzsystem aktiv ist.



## Einstellen der Schnitttiefe

**⚠ VORSICHT:** Schalten Sie das Werkzeug stets aus, und warten Sie, bis die Messer zum vollständigen Stillstand kommen, bevor Sie die Schnitttiefe einstellen.

**HINWEIS:** Wenn Sie den Tiefeneinstellknopf drehen, halten Sie den Handgriff unbedingt mit der anderen Hand fest.

Die Schnitttiefe kann durch Drehen des Tiefeneinstellknopfes an der Vorderseite des Werkzeugs eingestellt werden. Drehen Sie den Knopf, um den Zeiger auf die gewünschte Schnitttiefe auf der Tiefenskala auszurichten.

► **Abb.3:** 1. Tiefeneinstellknopf 2. Zeiger 3. Tiefenskala

## Einschalten

**⚠ WARNUNG:** Vergewissern Sie sich vor dem Einsetzen des Akkus in das Werkzeug stets, dass der Ein-Aus-Schalter ordnungsgemäß funktioniert und beim Loslassen in die AUS-Stellung zurückkehrt.

**⚠ WARNUNG:** Versuchen Sie NIEMALS, den Einschaltsperrknopf mit Klebeband oder anderen Mitteln unwirksam zu machen. Ein Schalter mit unwirksamen Einschaltsperrknopf kann zu ungewolltem Betrieb und daraus resultierenden schweren Personenschäden führen.

**⚠ WARNUNG:** Betreiben Sie das Werkzeug NIEMALS, wenn es durch einfache Betätigung des Ein-Aus-Schalters eingeschaltet werden kann, ohne den Einschaltsperrknopf zu drücken. Ein reparaturbedürftiger Schalter kann zu ungewolltem Betrieb und daraus resultierenden schweren Personenschäden führen. Lassen Sie das Werkzeug von einer Makita-Kundendienststelle ordnungsgemäß reparieren, BEVOR Sie es weiter benutzen.

**ANMERKUNG:** Betätigen Sie den Ein-Aus-Schalter nicht gewaltsam, ohne den Einschaltsperrknopf hineinzudrücken. Dies kann zu Beschädigung des Schalters führen.

Um versehentliche Betätigung des Auslöseschalters zu verhindern, ist der Einschaltsperrknopf vorgesehen. Zum Starten des Werkzeugs halten Sie den Einschaltsperrknopf gedrückt, und betätigen Sie dann den Auslöseschalter. Zum Ausschalten lassen Sie den Auslöseschalter los.

► **Abb.4:** 1. Auslöseschalter 2. Einschaltsperrknopf

## Fuß

Der Fuß springt aus der hinteren Grundplatte heraus, wenn Sie das Werkzeug von der Arbeitsfläche anheben, damit die Hobelmesser das Werkstück nicht direkt berühren. Dadurch wird verhindert, dass die Hobelmesser versehentlich beschädigt werden, wenn sie nicht benutzt werden. Der Fuß springt in die hintere Grundplatte zurück, wenn Sie die Grundplatte des Werkzeugs auf eine Arbeitsfläche legen.

► **Abb.5:** 1. Hobelmesser 2. Hinterer Gleitschuh 3. Fuß 4. Arbeitsfläche

## Funktion zur Verhütung eines versehentlichen Wiederanlaufs

Das Werkzeug startet nicht, wenn Sie den Akku bei betätigtem Auslöseschalter einsetzen. Zum Starten des Werkzeugs lassen Sie den Auslöseschalter los, und betätigen Sie dann den Auslöseschalter erneut, während Sie den Einschaltsperrknopf gedrückt halten.

## Elektronikfunktionen

Für komfortablen Betrieb ist das Werkzeug mit den folgenden Elektronikfunktionen ausgestattet.

## Elektrische Bremse

Das Werkzeug ist mit einer elektrischen Bremse ausgestattet. Falls das Werkzeug nach dem Loslassen des Auslöseschalters ständig nicht sofort anhält, lassen Sie es von Ihrem lokalen Makita-Servicecenter warten.

## Soft-Start-Funktion

Die Soft-Start-Funktion reduziert Anlaufstöße auf ein Minimum und bewirkt ruckfreies Anlaufen des Werkzeugs.

## MONTAGE

**⚠ VORSICHT:** Vergewissern Sie sich vor der Ausführung von Arbeiten am Werkzeug stets, dass das Werkzeug ausgeschaltet und der Akku abgenommen ist.

## Aufbewahrung des Steckschlüssels

Bewahren Sie den Steckschlüssel bei Nichtgebrauch an der in der Abbildung gezeigten Stelle auf, damit er nicht verloren geht.

► **Abb.6:** 1. Steckschlüssel

## Demontieren und Montieren von Hobelmessern

**⚠ VORSICHT:** Ziehen Sie die Messerbefestigungsschrauben sorgfältig an, wenn Sie die Hobelmesser am Werkzeug anbringen. Vergewissern Sie sich immer, dass sie einwandfrei angezogen sind. Eine lockere Befestigungsschraube kann gefährlich sein.

**⚠ VORSICHT:** Behandeln Sie die Hobelmesser mit größter Sorgfalt. Schützen Sie Ihre Finger oder Hände mit Handschuhen oder Lappen, wenn Sie die Hobelmesser abnehmen oder anbringen.

**⚠ VORSICHT:** Verwenden Sie nur den mitgelieferten Makita-Schraubenschlüssel zum Demontieren und Montieren der Hobelmesser. Anderenfalls besteht die Gefahr, dass die Befestigungsschrauben zu fest oder unzureichend angezogen werden. Dies könnte zu einer Verletzung führen.

**ANMERKUNG:** Um Hobelmesser zu montieren, säubern Sie die Trommel oder die Hobelmesser von jeglichen anhaftenden Spänen oder Fremdkörpern. Verwenden Sie Hobelmesser der gleichen Abmessungen und des gleichen Gewichts, weil anderenfalls Schwingungen/Vibrationen der Trommel eine schlechte Hobelwirkung verursachen und zu einem Ausfall des Werkzeugs führen können.

## Für Werkzeug mit herkömmlichen Hobelmessern

**HINWEIS:** Ein Paar Hobelmesser ist in der Trommel montiert. Wiederholen Sie die folgenden Verfahren für jedes Hobelmesser.

### Demontieren von herkömmlichen Hobelmessern

1. Schrauben Sie die Befestigungsschrauben mit dem mitgelieferten Steckschlüssel von der Trommel ab.
2. Demontieren Sie die Trommelplatte und das herkömmliche Hobelmesser (mit Einstellplatte) von der Trommel.  
▶ **Abb.7:** 1. Befestigungsschraube 2. Trommelplatte 3. Herkömmliches Messer (mit Einstellplatte) 4. Trommel
3. Lösen Sie die Schrauben vom herkömmlichen Hobelmesser, und entfernen Sie dann die Einstellplatte.  
▶ **Abb.8:** 1. Schrauben 2. Herkömmliches Hobelmesser 3. Einstellplatte

### Montieren von herkömmlichen Hobelmessern

1. Setzen Sie ein herkömmliches Hobelmesser auf die Messerlehre, und richten Sie seine Schneidkante entlang der Führungswand an der Messerlehre waagrecht aus.  
▶ **Abb.9:** 1. Herkömmliches Hobelmesser 2. Messerlehre 3. Schneidkante 4. Führungswand
2. Setzen Sie die Einstellplatte auf das herkömmliche Hobelmesser, und ziehen Sie dann die Schrauben geringfügig an.
3. Schieben Sie die Einstellplatte nach vorn, bis ihre Positionierungsführung genau und vollständig an der hinteren Seitenwand der Messerlehre anliegt.
4. Halten Sie die Einstellplatte an Ort und Stelle, und ziehen Sie die Schrauben fest, um sie zu sichern.  
▶ **Abb.10:** 1. Einstellplatte 2. Herkömmliches Hobelmesser 3. Schraube 4. Positionierungsführung 5. Hintere Seitenwand 6. Messerlehre
5. Säubern Sie die Trommel und das herkömmliche Hobelmesser von allen anhaftenden Spänen und Fremdkörpern.
6. Schieben Sie die Positionierungsführung der Einstellplatte in die Führungsnut in der Trommel, und legen Sie dann die Trommelplatte auf das herkömmliche Hobelmesser (mit Einstellplatte).
7. Ziehen Sie alle Befestigungsschrauben mit dem Steckschlüssel gleichmäßig über Kreuz an.  
▶ **Abb.11:** 1. Positionierungsführung 2. Einstellplatte 3. Führungsnut 4. Trommel 5. Trommelplatte 6. Herkömmliches Hobelmesser 7. Befestigungsschraube

## Werkzeuge mit Wendemesser

**HINWEIS:** Ein Paar Hobelmesser ist in der Trommel montiert. Wiederholen Sie die folgenden Verfahren für jedes Hobelmesser.

### Demontieren von Mini-Hobelmessern

1. Lösen Sie die Befestigungsschrauben mit dem mitgelieferten Steckschlüssel um eine Umdrehung.  
▶ **Abb.12:** 1. Befestigungsschraube 2. Steckschlüssel
2. Schieben Sie das Mini-Hobelmesser aus der Trommel, indem Sie das eine Ende des Messers von der Seite der Riemenabdeckung aus nach außen drücken.  
▶ **Abb.13:** 1. Mini-Hobelmesser 2. Trommel 3. Riemenabdeckung 4. T-Handgriff des Steckschlüssels

**HINWEIS:** Verwenden Sie die Enden des T-Handgriffs des Steckschlüssels, um das Mini-Hobelmesser für sicherere Betätigung und Wartung herauszuschieben.

### Montieren von Mini-Hobelmessern

1. Säubern Sie die Trommel und das Mini-Hobelmesser von allen anhaftenden Spänen und Fremdkörpern.
2. Schieben Sie ein Mini-Hobelmesser zwischen Trommel und Anschlagplatte, indem Sie ein Ende des Messers von der der Riemenabdeckung gegenüberliegenden Seite nach innen drücken.
3. Ziehen Sie alle Befestigungsschrauben mit dem Steckschlüssel gleichmäßig über Kreuz an.  
▶ **Abb.14:** 1. Mini-Hobelmesser 2. Trommel 3. Anschlagplatte 4. Riemenabdeckung 5. Befestigungsschraube 6. Steckschlüssel

### Kalibrierung von Mini-Hobelmessern

Führen Sie in regelmäßigen Abständen eine Kalibrierung der Hobelmesser durch, um die Arbeitseffizienz zu optimieren.

1. Lösen Sie die Befestigungsschrauben mit dem mitgelieferten Steckschlüssel um eine Umdrehung.
2. Schieben Sie das Mini-Hobelmesser aus der Trommel, indem Sie das eine Ende des Messers von der Seite der Riemenabdeckung aus nach außen drücken.
3. Schrauben Sie die Befestigungsschrauben mit dem Steckschlüssel von der Trommel ab.
4. Demontieren Sie die Trommelplatte und Anschlagplatte (mit Einstellplatte) von der Trommel.  
▶ **Abb.15:** 1. Befestigungsschraube 2. Trommelplatte 3. Anschlagplatte (mit Einstellplatte) 4. Trommel
5. Lösen Sie die Schrauben an der Anschlagplatte um eine Umdrehung, um die Einstellplatte zu lösen.  
▶ **Abb.16:** 1. Schrauben 2. Anschlagplatte 3. Einstellplatte
6. Säubern Sie die Anschlagplatte (mit Einstellplatte) und das Mini-Hobelmesser von jeglichen anhaftenden Spänen oder Fremdkörpern.



7. Setzen Sie das Mini-Hobelmesser auf die Messerlehre, und richten Sie seine Schneidkante entlang der Führungswand an der Messerlehre waagrecht aus.

8. Legen Sie die Anschlagplatte (mit Einstellplatte) auf das Mini-Hobelmesser, und richten Sie dabei die Führungsstege der Anschlagplatte auf die Führungsnuten des Mini-Hobelmessers aus.

► **Abb.17:** 1. Mini-Hobelmesser 2. Messerlehre  
3. Schneidkante 4. Führungswand  
5. Anschlagplatte (mit Einstellplatte)  
6. Führungsstege 7. Führungsnut

9. Schieben Sie die Einstellplatte nach vorn, bis ihre Positionierungsführung genau und vollständig an der hinteren Seitenwand der Messerlehre anliegt.

10. Halten Sie die Einstellplatte an Ort und Stelle, und ziehen Sie die Schrauben fest, um sie zu sichern.

► **Abb.18:** 1. Einstellplatte 2. Anschlagplatte  
3. Schraube 4. Positionierungsführung  
5. Hintere Seitenwand 6. Messerlehre

11. Schieben Sie die Positionierungsführung der Einstellplatte in die Führungsnut in der Trommel, und legen Sie dann die Trommelplatte auf die Anschlagplatte (mit Einstellplatte).

► **Abb.19:** 1. Positionierungsführung 2. Einstellplatte  
3. Führungsnut 4. Trommel  
5. Trommelplatte 6. Anschlagplatte  
7. Befestigungsschraube

12. Ziehen Sie die Befestigungsschrauben geringfügig an, und schieben Sie das Mini-Hobelmesser zwischen Trommel und Anschlagplatte, indem Sie ein Ende des Messers von der Riemenabdeckung gegenüberliegenden Seite nach innen drücken.

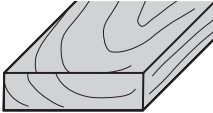
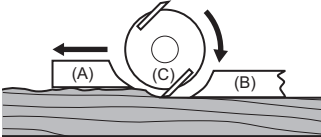
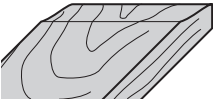
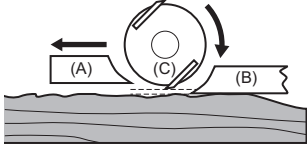
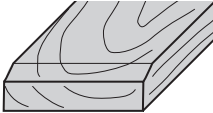
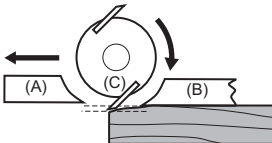
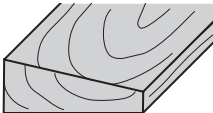
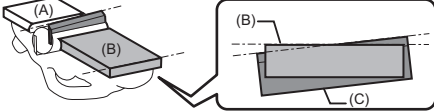
13. Ziehen Sie alle Befestigungsschrauben mit dem Steckschlüssel gleichmäßig über Kreuz an.

► **Abb.20:** 1. Mini-Hobelmesser 2. Trommel  
3. Anschlagplatte 4. Riemenabdeckung  
5. Befestigungsschraube 6. Steckschlüssel

## Hobelmessereinstellungen

Sie werden eine raue und unebene Hobelfläche erhalten, wenn die Hobelmesser nicht ordnungsgemäß und sicher eingestellt sind.

Installieren Sie die Hobelmesser korrekt, so dass die Schneiden im rechten Winkel, auf einer absoluten Höhe mit der hinteren Grundlinie und genau parallel zur Hobelsohle liegen. Lesen Sie die Beispiele in der Tabelle für die richtigen Einstellungen.

Hobelfläche	Messereinstellung	Ursache
Korrekte Einstellung 		Die Schneidkanten liegen auf einer Ebene mit der hinteren Grundlinie und laufen parallel zur Hobelsohle von Seite zu Seite.
Fugen am Anfang 		Die Schneidkanten erreichen die hintere Grundlinie nicht.
Fugen am Ende 		Die Schneidkanten überragen die hintere Grundlinie.
Schräge Oberfläche 		Die Schneidkanten liegen von Seite zu Seite nicht parallel zur Hobelsohle.
<p>(A): Vordere Grundplatte (einstellbarer Schuh) (B): Hintere Grundplatte (feststehender Schuh) (C): Hobelmesser</p>		

## Installieren eines Führungslineals

1. Legen Sie das Werkzeug so hin, dass die Riemenabdeckung nach oben zeigt.
2. Montieren Sie das Führungslineal, indem Sie es mit der Flügelschraube in dem Montageloch an der Seite des Werkzeugkopfs sicher befestigen.  
▶ **Abb.21:** 1. Riemenabdeckung 2. Führungslineal 3. Flügelschraube 4. Montageloch
3. Schieben Sie den Kantenanschlag auf die gewünschte Hobelbreite hinein und heraus, und ziehen Sie dann die Flügelschraube fest, um ihn in der erforderlichen Position zu sichern.  
▶ **Abb.22:** 1. Kantenanschlag 2. Flügelschraube

## Installieren der Tiefenführung

1. Legen Sie das Werkzeug so hin, dass die Riemenabdeckung nach unten zeigt.
2. Montieren Sie die Tiefenführung, indem Sie sie mit der Unterlegscheibe und Flügelschraube in dem Montageloch an der Seite des Werkzeugkopfs sicher befestigen.  
▶ **Abb.23:** 1. Riemenabdeckung 2. Tiefenführung 3. Unterlegscheibe 4. Flügelschraube 5. Montageloch
3. Schieben Sie die Tiefenführung auf die gewünschte Hobeltiefe nach oben und unten, und ziehen Sie dann die Flügelschraube fest, um sie in der erforderlichen Position zu sichern.  
▶ **Abb.24:** 1. Tiefenführung 2. Flügelschraube

## Installieren der Anfasungsführungen

### Sonderzubehör

1. Legen Sie das Werkzeug so hin, dass die vordere Grundplatte nach oben zeigt.
2. Befestigen Sie die Kantenanschlüsse an den Montagearmen, indem Sie die Vorsprünge an den Armen auf die Führungsschlitze in den Kantenanschlüssen ausrichten, und sichern Sie sie mit den Unterlegscheiben und Flügelschrauben.
3. Montieren Sie die Anfasungsführungen (Sätze von Kantenanschlüssen und Montagearmen) an Ort und Stelle, indem Sie sie mit den Flügelschrauben in den Montagelöchern auf beiden Seiten des Werkzeugkopfs sichern.  
▶ **Abb.25:** 1. Vordere Grundplatte 2. Kantenanschlag 3. Montagearm 4. Vorsprung 5. Führungsschlitz 6. Unterlegscheibe 7. Flügelschraube 8. Montageloch
4. Schieben Sie die Kantenanschlüsse auf Ihren gewünschten Fasenbereich hinein und heraus, und ziehen Sie dann die Flügelschrauben fest, um sie in der erforderlichen Position zu sichern.  
▶ **Abb.26:** 1. Kantenanschlag 2. Flügelschraube

## Absaugung von Staub und Holzspänen

Staub und Holzspäne können sowohl von der linken als auch von der rechten Seite der Auswurföffnungen entnommen werden. Decken Sie eine der Auswurföffnungen auf der Seite, die der von Ihnen bevorzugten Staubabsaugrichtung entgegengesetzt ist, mit dem Stopfen ab.

Um den Stopfen von der Auswurföffnung zu lösen, drehen Sie den Stopfen leicht in Richtung Handgriff, um die Verriegelung zu lösen, und ziehen Sie ihn dann ab.  
▶ **Abb.27:** 1. Stopfen 2. Handgriff

Zum Installieren setzen Sie den Stopfen gerade in eine der Öffnungen ein, und richten Sie dabei den Verriegelungsschlitz des Stopfens auf den Führungsvorsprung an der Öffnung aus, bis er einrastet.

▶ **Abb.28:** 1. Stopfen 2. Verriegelungsschlitz 3. Führungsvorsprung

## Staubsack

### Sonderzubehör

Befestigen Sie den Staub sack an einer der Auswurföffnungen und drücken Sie ihn fest bis zum Anschlag hinein. Vergewissern Sie sich, dass der Staub sack sicher über der konischen Öffnung angebracht ist, damit er sich während des Betriebs nicht lösen kann.

▶ **Abb.29:** 1. Staubbeutel 2. Auswurföffnung

Wenn der Staub sack etwa halb voll ist, nehmen Sie ihn vom Werkzeug ab und ziehen den Verschluss heraus. Entleeren Sie den Staub sack. Klopfen Sie leicht auf den Staub sack, um an der Innenwand haftende Partikel, die eine weitere Aufnahme beeinträchtigen könnten, zu lösen.

▶ **Abb.30:** 1. Verschluss

**HINWEIS:** Wenn Sie einen Makita-Staubsauger an das Werkzeug anschließen, können Sie effizienter und sauberer arbeiten.

## Anschließen eines Staubsaugers

Um saubere Hobelarbeiten durchzuführen, schließen Sie ein Makita-Sauggerät an Ihr Werkzeug an. Schließen Sie den Schlauch des Sauggerätes an eine der Auswurföffnungen an, wie in der Abbildung gezeigt.

▶ **Abb.31:** 1. Staubsauger

## Kniestück

### Sonderzubehör

Verwenden Sie ein Staubabsauger-Kniestück, um den Absaugluftstrom in einem bevorzugten Winkel zu bündeln und so eine sauberere Arbeitsumgebung zu schaffen. Befestigen Sie das Kniestück an einer der Auswurföffnungen, und drücken Sie es fest bis zum Anschlag hinein.

▶ **Abb.32:** 1. Bogenrohr

## ARBEIT

**⚠ VORSICHT:** Halten Sie das Werkzeug beim Betätigen mit einer Hand am Schaltergriff und mit der anderen Hand am Tiefeneinstellknopf fest.

### Hobelbetrieb

1. Halten Sie das Werkzeug mit beiden Händen fest, eine Hand am Schaltergriff und die andere am Tiefeneinstellknopf.
2. Setzen Sie die vordere Grundplatte des Werkzeugs flach auf die Werkstückoberfläche, ohne dass die Hobelmesser Kontakt haben.
3. Schalten Sie das Werkzeug ein, und warten Sie, bis es seine volle Drehzahl erreicht.
4. Schieben Sie das Werkzeug sachte nach vorn, und drücken Sie den Tiefeneinstellknopf anfangs etwas stärker nach unten, damit die gesamte Grundplatte des Hobels waagrecht und mit der Werkstückoberfläche bündig bleibt.  
► **Abb.33**
5. Verwenden Sie Sorgfalt, um während des Vorgangs gleichmäßig Druck auf die Werkstückoberfläche auszuüben, und schieben Sie das Werkzeug stetig vorwärts.  
► **Abb.34**

**HINWEIS:** Balancieren Sie den Handdruck zwischen Schaltergriff und Tiefeneinstellknopf aus, da sowohl die vordere als auch die hintere Grundplatte die Werkstückoberfläche berühren.

6. Üben Sie eine stärkere Kontrolle auf den Schaltergriff aus, um zu vermeiden, dass die Grundplatte am Ende eines Durchgangs über die Werkstückoberfläche hinausragt.  
► **Abb.35**

**HINWEIS:** Der Hobelvorgang kann leichter sein, wenn Sie das Werkstück mit einer geringfügigen Vorwärtsneigung positionieren, um den Druck zu verringern, mit dem Sie das Werkzeug während des Vorgangs halten.

**HINWEIS:** Stellen Sie die Schnittgeschwindigkeit und -tiefe für die gewünschte Oberflächengüte ein.

Um eine raue Oberfläche zu erhalten, stellen Sie die Schnitttiefe auf eine ausreichende Tiefe am Werkstück ein.

Um eine saubere und feine Oberfläche zu erhalten, schieben Sie das Werkzeug in mehreren Durchgängen langsam mit geringer Schnitttiefe vor.

## Falzen

### ► **Abb.36**

Verwenden Sie das Führungslinéal, um einen Stufenschnitt durchzuführen, wie in der Abbildung gezeigt.

1. Installieren Sie das Führungslinéal und die Tiefenführung im Werkzeug und sichern Sie sie mit den Unterlegscheiben und Flügelschrauben.
2. Stellen Sie die Tiefenführung auf die Falztiefe ein, und sichern Sie sie mit der Flügelschraube.
3. Zeichnen Sie eine Schnittlinie auf das Werkstück, und richten Sie die Messerkante auf die Schnittlinie aus.  
► **Abb.37:** 1. Messerkante 2. Schnittlinie 3. Tiefenführung 4. Flügelschraube

**HINWEIS:** Vergewissern Sie sich, dass die Messerkante zum Falzen um 1,6 mm - 1,8 mm aus der Seitenkante der Trommel herausragt. (Siehe „A“ in der folgenden Abbildung.)

\* Sie können wählen, das Messerende um 0,2 mm - 0,4 mm von der Seitenkante der vorderen Grundplatte überstehen zu lassen. (Siehe „B“ in der folgenden Abbildung.)

- **Abb.38:** 1. Messerschneide 2. Seitenkante der Trommel 3. Seitenkante der vorderen Grundplatte
4. Schieben Sie den Kantenanschlag im Führungslinéal nach innen, bis er mit der Seitenwand des Werkstücks in Berührung kommt. Sichern Sie ihn dann mit der Flügelschraube.
- **Abb.39:** 1. Führungslinéal 2. Kantenanschlag 3. Seitenwand 4. Flügelschraube
5. Führen Sie den Hobelvorgang durch, indem Sie das Werkzeug mit dem gesamten Kantenanschlag an der Seitenwand des Werkstücks entlang gleitend verschieben.

**HINWEIS:** Die Reichweite des Führungsanschlages kann verlängert werden, indem ein zusätzliches Stück Holz an den Befestigungslöchern des Führungsanschlages befestigt wird.

- **Abb.40:** 1. Zusätzliches Stück Holz 2. Befestigungslöcher

## Anfasen

### ► **Abb.41**

Verwenden Sie die die in die vordere Grundplatte geschnittenen "V"-Nuten, um einen Anfasungsschnitt durchzuführen, wie in der Abbildung gezeigt.

Führen Sie den Hobelvorgang durch, indem Sie das Werkzeug so bewegen, dass eine der drei "V"-Nuten in der vorderen Grundplatte auf die Eckkante des Werkstücks ausgerichtet ist.

- **Abb.42:** 1. V-Nut (mittlerer Anfasungsgrad) 2. V-Nut (geringer Anfasungsgrad) 3. V-Nut (hoher Anfasungsgrad)

## Verwendung von Anfasungsführungen

### Sonderzubehör

1. Schieben Sie die Kantenanschläge in den Anfasungsführungen nach innen, bis sie an den Eckwänden des Werkstücks anliegen.
  2. Sichern Sie die Kantenanschläge mit den Flügelschrauben.
  3. Führen Sie den Hobelvorgang durch, indem Sie das Werkzeug mit den ganzen Kantenanschlügen an den Eckwänden des Werkstücks entlang gleitend verschieben.
- **Abb.43:** 1. Anfasungsführung 2. Kantenanschläge 3. Flügelschraube

**HINWEIS:** Für große Fasen führen Sie mehrere Hobeldurchgänge durch, beginnend mit kleinen Fasen bis hin zu größeren Fasen, wie in der Abbildung gezeigt.

- **Abb.44:** 1. Kante der Anfasungsführung 2. Kleine Fase 3. Große Fase

## FUNK-AKTIVIERUNGSFUNKTION

### Mit der Funk-Aktivierungsfunktion verfügbare Möglichkeiten

Die Funk-Aktivierungsfunktion ermöglicht sauberen und komfortablen Betrieb. Wenn Sie ein unterstütztes Sauggerät an das Werkzeug anschließen, können Sie das Sauggerät automatisch mit der Schalterbetätigung des Werkzeugs betreiben.

► **Abb.45**

Um die Funk-Aktivierungsfunktion zu benutzen, benötigen Sie die folgenden Gegenstände:

- Einen Funk-Adapter (Sonderzubehör)
- Ein Sauggerät, das die Funk-Aktivierungsfunktion unterstützt

Die Übersicht über die Einstellung der Funk-Aktivierungsfunktion ist wie folgt. Ausführliche Verfahren entnehmen Sie bitte dem jeweiligen Abschnitt.

1. Installieren des Funk-Adapters
2. Werkzeugregistrierung für das Sauggerät
3. Starten der Funk-Aktivierungsfunktion

## Installieren des Funk-Adapters

### Sonderzubehör

**⚠ VORSICHT:** Legen Sie das Werkzeug zum Installieren des Funk-Adapters auf eine ebene und stabile Oberfläche.

**ANMERKUNG:** Entfernen Sie Staub und Schmutz vom Werkzeug, bevor Sie den Funk-Adapter installieren. Staub oder Schmutz können eine Funktionsstörung verursachen, falls sie in den Steckplatz des Funk-Adapters gelangen.

**ANMERKUNG:** Um eine durch statische Entladung verursachte Funktionsstörung zu verhindern, berühren Sie ein Statikentladungsmaterial, wie z. B. ein Metallteil des Werkzeugs, bevor Sie den Funk-Adapter anfassen.

**ANMERKUNG:** Achten Sie beim Installieren des Funk-Adapters immer darauf, dass der Funk-Adapter in der korrekten Richtung eingeführt wird und der Deckel vollständig geschlossen ist.

1. Öffnen Sie den Deckel am Werkzeug, wie in der Abbildung gezeigt.
- **Abb.46:** 1. Deckel

2. Führen Sie den Funk-Adapter in den Steckplatz ein, und schließen Sie dann den Deckel.

Wenn Sie den Funk-Adapter einführen, richten Sie die Vorsprünge auf die Vertiefungen des Steckplatzes aus.

- **Abb.47:** 1. Funk-Adapter 2. Vorsprung 3. Deckel 4. Vertiefung

Zum Entfernen des Funk-Adapters öffnen Sie den Deckel langsam. Die Haken an der Rückseite des Deckels heben den Funk-Adapter an, wenn Sie den Deckel hochziehen.

- **Abb.48:** 1. Funk-Adapter 2. Haken 3. Deckel

Bewahren Sie den Funk-Adapter nach der Entnahme in der mitgelieferten Schachtel oder einem statikfreien Behälter auf.

**ANMERKUNG:** Verwenden Sie immer die Haken an der Rückseite des Deckels zum Entfernen des Funk-Adapters. Falls die Haken den Funk-Adapter nicht greifen, schließen Sie den Deckel vollständig, und öffnen Sie ihn dann wieder langsam.

## Werkzeugregistrierung für das Sauggerät

**HINWEIS:** Ein Makita-Sauggerät, das die Funk-Aktivierungsfunktion unterstützt, ist für die Werkzeugregistrierung erforderlich.

**HINWEIS:** Die Installation des Funk-Adapters im Werkzeug muss vollendet sein, bevor mit der Werkzeugregistrierung begonnen wird.

**HINWEIS:** Unterlassen Sie während der Werkzeugregistrierung die Betätigung des Auslöseschalters oder das Einschalten des Ein-Aus-Schalters am Sauggerät.

**HINWEIS:** Nehmen Sie auch auf die Betriebsanleitung des Sauggerätes Bezug.

Wenn Sie das Sauggerät zusammen mit der Schalterbetätigung des Werkzeugs aktivieren möchten, müssen Sie zuvor die Werkzeugregistrierung beenden.

1. Setzen Sie die Akkus in das Sauggerät und das Werkzeug ein.
2. Stellen Sie den Bereitschaftsschalter am Sauggerät auf „AUTO“.  
► **Abb.49:** 1. Bereitschaftsschalter
3. Drücken Sie die Funk-Aktivierungstaste am Sauggerät für 3 Sekunden, bis die Funk-Aktivierungslampe in Grün blinkt. Drücken Sie dann die Funk-Aktivierungstaste am Werkzeug in der gleichen Weise.  
► **Abb.50:** 1. Funk-Aktivierungstaste  
2. Funk-Aktivierungslampe

Wenn Sauggerät und Werkzeug erfolgreich verbunden werden, leuchten die Funk-Aktivierungslampen 2 Sekunden lang in Grün auf und beginnen dann in Blau zu blinken.

**HINWEIS:** Nach Ablauf von 20 Sekunden hören die Funk-Aktivierungslampen auf, in Grün zu blinken. Drücken Sie die Funk-Aktivierungstaste am Werkzeug, während die Funk-Aktivierungslampe am Staubsauger blinkt. Falls die Funk-Aktivierungslampe nicht in Grün blinkt, drücken Sie die Funk-Aktivierungstaste kurz, und halten Sie sie erneut gedrückt.

**HINWEIS:** Wenn Sie zwei oder mehr Werkzeugregistrierungen für ein Sauggerät durchführen, beenden Sie die Werkzeugregistrierungen nacheinander.

## Starten der Funk-Aktivierungsfunktion

**HINWEIS:** Beenden Sie die Werkzeugregistrierung für das Sauggerät vor der Funk-Aktivierung.

**HINWEIS:** Nehmen Sie auch auf die Betriebsanleitung des Sauggerätes Bezug.

Nachdem Sie ein Werkzeug im Sauggerät registriert haben, läuft das Sauggerät automatisch mit der Schalterbetätigung am Werkzeug an.

1. Installieren Sie den Funk-Adapter im Werkzeug.
2. Schließen Sie den Schlauch des Sauggerätes am Werkzeug an.  
► **Abb.51**
3. Stellen Sie den Bereitschaftsschalter am Sauggerät auf „AUTO“.  
► **Abb.52:** 1. Bereitschaftsschalter
4. Drücken Sie die Funk-Aktivierungstaste am Werkzeug kurz. Die Funk-Aktivierungslampe blinkt in Blau.  
► **Abb.53:** 1. Funk-Aktivierungstaste  
2. Funk-Aktivierungslampe

5. Schalten Sie das Werkzeug ein. Prüfen Sie, ob das Sauggerät während des Betriebs des Werkzeugs läuft.

Um die Funk-Aktivierung des Sauggerätes zu stoppen, drücken Sie die Funk-Aktivierungstaste am Werkzeug.

**HINWEIS:** Die Funk-Aktivierungslampe am Werkzeug hört auf, in Blau zu blinken, wenn 2 Stunden lang kein Betrieb erfolgt. Stellen Sie in diesem Fall den Bereitschaftsschalter am Sauggerät auf „AUTO“, und drücken Sie die Funk-Aktivierungstaste am Werkzeug erneut.

**HINWEIS:** Das Sauggerät startet/stoppt mit einer Verzögerung. Es tritt eine Zeitverzögerung auf, wenn das Sauggerät eine Schalterbetätigung des Werkzeugs erkennt.










**HINWEIS:** Die Übertragungreichweite des Funk-Adapters kann abhängig vom Ort und den Umgebungsbedingungen schwanken.

**HINWEIS:** Wenn zwei oder mehr Werkzeuge in einem Sauggerät registriert sind, kann das Sauggerät anlaufen, selbst wenn Sie Ihr Werkzeug nicht einschalten, weil ein anderer Benutzer die Funk-Aktivierungsfunktion benutzt.

## Beschreibung des Zustands der Funk-Aktivierungslampe

### ► Abb.54: 1. Funk-Aktivierungslampe

Die Funk-Aktivierungslampe zeigt den Zustand der Funk-Aktivierungsfunktion an. Die Bedeutung des Lampenzustands ist aus der nachstehenden Tabelle ersichtlich.

Zustand	Funk-Aktivierungslampe				Beschreibung
	Farbe	 Ein	 Blinkend	Dauer	
Bereitschaft	Blau			2 Stunden	Die Funk-Aktivierung des Sauggerätes ist verfügbar. Die Lampe erlischt automatisch, wenn 2 Stunden lang kein Betrieb erfolgt.
				Wenn das Werkzeug läuft.	Die Funk-Aktivierung des Sauggerätes ist verfügbar, und das Werkzeug läuft.
Werkzeugregistrierung	Grün			20 Sekunden	Bereit für die Werkzeugregistrierung. Warten auf die Registrierung durch das Sauggerät.
				2 Sekunden	Die Werkzeugregistrierung ist beendet worden. Die Funk-Aktivierungslampe beginnt, in Blau zu blinken.
Aufheben der Werkzeugregistrierung	Rot			20 Sekunden	Bereit für die Aufhebung der Werkzeugregistrierung. Warten auf die Aufhebung durch das Sauggerät.
				2 Sekunden	Die Aufhebung der Werkzeugregistrierung ist beendet worden. Die Funk-Aktivierungslampe beginnt, in Blau zu blinken.
Sonstiges	Rot			3 Sekunden	Der Funk-Adapter wird mit Strom versorgt, und die Funk-Aktivierungsfunktion wird gestartet.
	Aus	-		-	Die Funk-Aktivierung des Sauggerätes ist gestoppt.

## Aufheben der Werkzeugregistrierung für das Sauggerät

Führen Sie das folgende Verfahren durch, um die Werkzeugregistrierung für das Sauggerät aufzuheben.

1. Setzen Sie die Akkus in das Sauggerät und das Werkzeug ein.
2. Stellen Sie den Bereitschaftsschalter am Sauggerät auf „AUTO“.
3. Drücken Sie die Funk-Aktivierungstaste am Sauggerät für 6 Sekunden. Die Funk-Aktivierungslampe blinkt in Grün und wird dann rot. Drücken Sie danach die Funk-Aktivierungstaste am Werkzeug in der gleichen Weise.

- **Abb.55:** 1. Bereitschaftsschalter
- **Abb.56:** 1. Funk-Aktivierungstaste  
2. Funk-Aktivierungslampe

Wenn die Aufhebung erfolgreich war, leuchten die Funk-Aktivierungslampen 2 Sekunden lang in Rot auf und beginnen dann in Blau zu blinken.

**HINWEIS:** Nach Ablauf von 20 Sekunden hören die Funk-Aktivierungslampen auf, in Rot zu blinken. Drücken Sie die Funk-Aktivierungstaste am Werkzeug, während die Funk-Aktivierungslampe am Staubsauger blinkt. Falls die Funk-Aktivierungslampe nicht in Rot blinkt, drücken Sie die Funk-Aktivierungstaste kurz, und halten Sie sie erneut gedrückt.

## Fehlersuche für Funk-Aktivierungsfunktion

Bevor Sie den Reparaturdienst anrufen, führen Sie zunächst Ihre eigene Inspektion durch. Falls Sie ein Problem finden, das nicht in der Anleitung erläutert wird, versuchen Sie nicht, das Werkzeug zu zerlegen. Wenden Sie sich stattdessen an autorisierte Makita-Kundendienstzentren, und achten Sie darauf, dass stets Makita-Ersatzteile für Reparaturen verwendet werden.

Zustand der Unregelmäßigkeit	Wahrscheinliche Ursache (Funktionsstörung)	Abhilfemaßnahme
Die Funk-Aktivierungslampe leuchtet/blinkt nicht.	Es ist kein Funk-Adapter im Werkzeug installiert. Der Funk-Adapter ist falsch im Werkzeug installiert.	Installieren Sie den Funk-Adapter korrekt.
	Die Kontakte des Funk-Adapters und/oder des Steckplatzes sind verschmutzt.	Wischen Sie Staub und Schmutz an den Kontakten des Funk-Adapters saftig ab, und reinigen Sie den Steckplatz.
	Die Funk-Aktivierungstaste am Werkzeug ist nicht gedrückt worden.	Drücken Sie die Funk-Aktivierungstaste am Werkzeug kurz.
	Der Bereitschaftsschalter am Sauggerät ist nicht auf „AUTO“ eingestellt.	Stellen Sie den Bereitschaftsschalter am Sauggerät auf „AUTO“.
	Keine Stromversorgung	Versorgen Sie Werkzeug und Sauggerät mit Strom.
Die Werkzeugregistrierung/Aufhebung der Werkzeugregistrierung kann nicht erfolgreich beendet werden.	Es ist kein Funk-Adapter im Werkzeug installiert. Der Funk-Adapter ist falsch im Werkzeug installiert.	Installieren Sie den Funk-Adapter korrekt.
	Die Kontakte des Funk-Adapters und/oder des Steckplatzes sind verschmutzt.	Wischen Sie Staub und Schmutz an den Kontakten des Funk-Adapters saftig ab, und reinigen Sie den Steckplatz.
	Der Bereitschaftsschalter am Sauggerät ist nicht auf „AUTO“ eingestellt.	Stellen Sie den Bereitschaftsschalter am Sauggerät auf „AUTO“.
	Keine Stromversorgung	Versorgen Sie Werkzeug und Sauggerät mit Strom.
	Falsche Bedienung	Drücken Sie die Funk-Aktivierungstaste kurz, und führen Sie das Verfahren der Werkzeugregistrierung/Aufhebung der Werkzeugregistrierung erneut durch.
	Der Abstand zwischen Werkzeug und Sauggerät ist zu groß (außerhalb der Übertragungreichweite).	Verkleinern Sie den Abstand zwischen Werkzeug und Sauggerät. Die maximale Übertragungreichweite beträgt ungefähr 10 m, sie kann aber je nach den Umständen schwanken.
	Bevor Sie die Werkzeugregistrierung/Aufhebung der Werkzeugregistrierung beenden: - der Schalter des Werkzeugs wird eingeschaltet, oder; - die Betriebstaste am Sauggerät wird eingeschaltet.	Drücken Sie die Funk-Aktivierungstaste kurz, und führen Sie das Verfahren der Werkzeugregistrierung/Aufhebung der Werkzeugregistrierung erneut durch.
	Die Verfahren der Werkzeugregistrierung sowohl für das Werkzeug als auch das Sauggerät sind nicht beendet.	Führen Sie die Verfahren der Werkzeugregistrierung sowohl für das Werkzeug als auch das Sauggerät zum selben Zeitpunkt durch.
Das Sauggerät läuft bei der Schalterbetätigung des Werkzeugs nicht an.	Es ist kein Funk-Adapter im Werkzeug installiert. Der Funk-Adapter ist falsch im Werkzeug installiert.	Installieren Sie den Funk-Adapter korrekt.
	Die Kontakte des Funk-Adapters und/oder des Steckplatzes sind verschmutzt.	Wischen Sie Staub und Schmutz an den Kontakten des Funk-Adapters saftig ab, und reinigen Sie den Steckplatz.
	Die Funk-Aktivierungstaste am Werkzeug ist nicht gedrückt worden.	Drücken Sie die Funk-Aktivierungstaste kurz, und vergewissern Sie sich, dass die Funk-Aktivierungslampe in Blau blinkt.
	Der Bereitschaftsschalter am Sauggerät ist nicht auf „AUTO“ eingestellt.	Stellen Sie den Bereitschaftsschalter am Sauggerät auf „AUTO“.
	Es sind mehr als 10 Werkzeuge im Sauggerät registriert.	Führen Sie die Werkzeugregistrierung erneut durch. Wenn mehr als 10 Werkzeuge im Sauggerät registriert werden, wird die Registrierung des ersten Werkzeugs automatisch gelöscht.
	Das Sauggerät hat alle Werkzeugregistrierungen gelöscht.	Führen Sie die Werkzeugregistrierung erneut durch.
	Keine Stromversorgung	Versorgen Sie Werkzeug und Sauggerät mit Strom.
	Der Abstand zwischen Werkzeug und Sauggerät ist zu groß (außerhalb der Übertragungreichweite).	Verkleinern Sie den Abstand zwischen Werkzeug und Sauggerät. Die maximale Übertragungreichweite beträgt ungefähr 10 m, sie kann aber je nach den Umständen schwanken.
Funktstörungen durch andere Geräte, die starke Funkwellen erzeugen.	Halten Sie das Werkzeug und das Sauggerät von solchen Geräten wie WLAN-Geräten und Mikrowellenöfen fern.	

Zustand der Unregelmäßigkeit	Wahrscheinliche Ursache (Funktionsstörung)	Abhilfemaßnahme
Das Saugergerät läuft, während das Werkzeug außer Betrieb ist.	Andere Benutzer nutzen die Funk-Aktivierung des Saugergerätes mit ihren Werkzeugen.	Schalten Sie die Funk-Aktivierungstaste der anderen Werkzeuge aus, oder heben Sie die Werkzeugregistrierung der anderen Werkzeuge auf.

## WARTUNG

**⚠ VORSICHT:** Vergewissern Sie sich vor der Durchführung von Inspektions- oder Wartungsarbeiten stets, dass das Werkzeug ausgeschaltet und der Akku abgenommen ist.

**ANMERKUNG:** Verwenden Sie auf keinen Fall Benzin, Waschbenzin, Verdünnern, Alkohol oder dergleichen. Solche Mittel können Verfärbung, Verformung oder Rissbildung verursachen.

Um die SICHERHEIT und ZUVERLÄSSIGKEIT dieses Produkts zu gewährleisten, sollten Reparaturen und andere Wartungs- oder Einstellarbeiten nur von Makita-Vertragswerkstätten oder Makita-Kundendienstzentren unter ausschließlicher Verwendung von Makita-Originalersatzteilen ausgeführt werden.

### Reinigen der Späneauswurföffnungen

Reinigen Sie die Späneauswurföffnungen regelmäßig. Verwenden Sie Druckluft zum Reinigen der verstopften Späneauswurföffnungen.

### Schärfen der Messer

#### Nur für herkömmliche Hobelmesser

Halten Sie Ihre Hobelmesser stets scharf, um die bestmögliche Leistung zu erzielen. Verwenden Sie den Schärfungshalter (Sonderzubehör), um die Hobelmesserschneiden sicher und effektiv zu schärfen.

► **Abb.57:** 1. Schleifvorrichtung 2. Messer

1. Lösen Sie die zwei Flügelmuttern im Schärfungshalter.
2. Schieben Sie die hinteren Enden der Hobelmesser mit den zu schärfenden Schneidkanten nach unten gerichtet bis zum Anschlag in die Montageschlitze.  
► **Abb.58:** 1. Schärfungshalter 2. Flügelmutter  
3. Messer 4. Schneidkante  
5. Montageschlitze 6. Schraubenkopf

3. Ziehen Sie die Flügelmuttern an, um die Hobelmesser zu sichern.
4. Tauchen Sie einen Abziehstein vor dem Schärfen 2 bis 3 Minuten lang in Wasser.
5. Halten Sie den Schärfungshalter fest, und legen Sie die Schneidkanten sachte auf die Oberfläche des Abziehsteins.
6. Schärfen Sie die Schneidkanten, indem Sie den Schärfungshalter vor und zurück bewegen.

► **Abb.59**

## SONDERZUBEHÖR

**⚠ VORSICHT:** Die folgenden Zubehörteile oder Vorrichtungen werden für den Einsatz mit dem in dieser Anleitung beschriebenen Makita-Werkzeug empfohlen. Die Verwendung anderer Zubehörteile oder Vorrichtungen kann eine Verletzungsgefahr darstellen. Verwenden Sie Zubehörteile oder Vorrichtungen nur für ihren vorgesehenen Zweck.

Wenn Sie weitere Einzelheiten bezüglich dieser Zubehörteile benötigen, wenden Sie sich bitte an Ihre Makita-Kundendienststelle vor Ort.

- Hochdrehzahl-Stahlhobelmesser
- Wolframkarbid-Hobelmesser (für längere Messerstandzeit)
- Mini-Hobelmesser
- Schärfungshaltereinheit
- Messerlehreneinheit
- Anschlagplattensatz
- Führungslinialeinheit
- Abziehstein
- Staubsackeinheit
- Kniestück
- Anfasungsführungseinheit
- Funk-Adapter
- Original-Makita-Akku und -Ladegerät

**HINWEIS:** Manche Teile in der Liste können als Standardzubehör im Werkzeugsatz enthalten sein. Sie können von Land zu Land unterschiedlich sein.



## DATI TECNICI

Modello:	KP001G
Larghezza di piallatura	82 mm
Profondità di piallatura	4 mm
Profondità di intaglio per perline	25 mm
Velocità a vuoto	15.000 min <sup>-1</sup>
Lunghezza complessiva (con BL4040)	385 mm
Tensione nominale	C.C. Da 36 V a 40 V max
Peso netto	Da 3,7 a 4,9 kg

- A causa del nostro programma continuativo di ricerca e sviluppo, i dati tecnici sono soggetti a modifiche senza preavviso.
- I dati tecnici e la cartuccia della batteria potrebbero differire da nazione a nazione.
- Il peso può variare a seconda dell'accessorio o degli accessori, inclusa la cartuccia della batteria. La combinazione più leggera e quella più pesante, secondo la procedura EPTA 01/2014, sono indicate nella tabella.

## Cartuccia della batteria e caricabatterie applicabili

Cartuccia della batteria	BL4020* / BL4025* / BL4040* / BL4050F / BL4080F * : Batteria consigliata
Caricabatterie	DC40RA / DC40RB / DC40RC

- Alcune cartucce delle batterie e alcuni caricabatterie elencati sopra potrebbero non essere disponibili a seconda della propria area geografica di residenza.

**⚠AVVERTIMENTO:** Utilizzare solo le cartucce delle batterie e i caricabatterie elencati sopra. L'utilizzo di altre cartucce delle batterie e di altri caricabatterie potrebbe causare lesioni personali e/o un incendio.

## Utilizzo previsto

Questo utensile è destinato alla piallatura del legno.

## Rumore

Livello tipico di rumore pesato A determinato in base allo standard EN62841-2-14:

Livello di pressione sonora ( $L_{pA}$ ): 90 dB (A)

Livello di potenza sonora ( $L_{WA}$ ): 98 dB (A)

Incertezza (K): 3 dB (A)

**NOTA:** Il valore o i valori dichiarati delle emissioni di rumori sono stati misurati in conformità a un metodo standard di verifica, e possono essere utilizzati per confrontare un utensile con un altro.

**NOTA:** Il valore o i valori dichiarati delle emissioni di rumori possono venire utilizzati anche per una valutazione preliminare dell'esposizione.

**⚠AVVERTIMENTO:** Indossare protezioni per le orecchie.

**⚠AVVERTIMENTO:** L'emissione di rumori durante l'utilizzo effettivo dell'utensile elettrico può variare rispetto al valore o ai valori dichiarati, a seconda dei modi in cui viene utilizzato l'utensile e specialmente a seconda di che tipo di pezzo venga lavorato.

**⚠AVVERTIMENTO:** Accertarsi di identificare misure di sicurezza per la protezione dell'operatore che siano basate su una stima dell'esposizione nelle condizioni effettive di utilizzo (tenendo conto di tutte le parti del ciclo operativo, ad esempio del numero di spegnimenti dell'utensile e di quando giri a vuoto, oltre al tempo di attivazione).

## Vibrazioni

Valore totale delle vibrazioni (somma vettoriale triassiale) determinato in base allo standard EN62841-2-14:  
Modalità di lavoro: smerigliatura della superficie  
Emissione di vibrazioni ( $a_{h1}$ ): 4,3 m/s<sup>2</sup>  
Incertezza (K): 1,5 m/s<sup>2</sup>

**NOTA:** Il valore o i valori complessivi delle vibrazioni dichiarati sono stati misurati in conformità a un metodo standard di verifica, e possono essere utilizzati per confrontare un utensile con un altro.

**NOTA:** Il valore o i valori complessivi delle vibrazioni dichiarati possono venire utilizzati anche per una valutazione preliminare dell'esposizione.

**⚠AVVERTIMENTO:** L'emissione delle vibrazioni durante l'utilizzo effettivo dell'utensile elettrico può variare rispetto al valore o ai valori dichiarati, a seconda dei modi in cui viene utilizzato l'utensile, specialmente a seconda di che tipo di pezzo venga lavorato.

**⚠AVVERTIMENTO:** Accertarsi di identificare misure di sicurezza per la protezione dell'operatore che siano basate su una stima dell'esposizione nelle condizioni effettive di utilizzo (tenendo conto di tutte le parti del ciclo operativo, ad esempio del numero di spegnimenti dell'utensile e di quando giri a vuoto, oltre al tempo di attivazione).

## Dichiarazioni di conformità

### *Solo per i paesi europei*

Le Dichiarazioni di conformità sono incluse nell'Allegato A al presente manuale d'uso.

## AVVERTENZE DI SICUREZZA

### Avvertenze generali relative alla sicurezza dell'utensile elettrico

**⚠AVVERTIMENTO:** Leggere tutte le avvertenze di sicurezza, le istruzioni, le illustrazioni e i dati tecnici forniti con il presente utensile elettrico. La mancata osservanza di tutte le istruzioni elencate di seguito potrebbe risultare in scosse elettriche, incendi e/o gravi lesioni personali.

### Conservare tutte le avvertenze e le istruzioni come riferimento futuro.

Il termine "utensile elettrico" nelle avvertenze si riferisce sia all'utensile elettrico (cablato) nel funzionamento alimentato da rete elettrica che all'utensile elettrico (a batteria) nel funzionamento alimentato a batteria.

### Avvertenze di sicurezza relative alla pialla a batteria

1. **Prima di appoggiare l'utensile, attendere che la lama si arresti.** Una lama rotante esposta potrebbe fare presa sulla superficie, portando alla possibile perdita di controllo e a gravi lesioni personali.
2. **Utilizzare delle morse o altri sistemi pratici per fissare e sostenere un pezzo in lavorazione su una piano stabile.** Un pezzo in lavorazione mantenuto in mano o contro il proprio corpo resta instabile, e potrebbe portare a una perdita di controllo.
3. **Non lasciare mai stracci, tessuti, cavi, nastri e oggetti simili in prossimità dell'area di lavoro.**
4. **Evitare di tagliare chiodi.** Prima dell'uso, ispezionare il pezzo in lavorazione e rimuovere da quest'ultimo tutti i chiodi.
5. **Utilizzare solo lame affilate.** Maneggiare le lame con estrema cautela.

6. **Prima dell'uso, accertarsi che i bulloni di installazione della lama siano serrati saldamente.**
7. **Mantenere saldamente l'utensile con entrambe le mani.**
8. **Tenere le mani lontane dalle parti rotanti.**
9. **Prima di utilizzare l'utensile sul pezzo in lavorazione effettivo, lasciarlo funzionare a vuoto per un po' di tempo.** Osservare l'eventuale presenza di vibrazioni od oscillazioni che potrebbero indicare un'installazione errata o un bilanciamento inappropriato della lama.
10. **Prima di attivare l'interruttore, accertarsi che la lama non sia in contatto con il pezzo in lavorazione.**
11. **Prima di effettuare il taglio, attendere che la lama abbia raggiunto la piena velocità.**
12. **Prima di regolare la profondità di taglio, spegnere sempre l'utensile e attendere che le lame si siano arrestate completamente.**
13. **Non infilare mai le dita nello scarico dei trucioli.** Lo scarico potrebbe incepparsi quando si taglia del legno umido. Eliminare i trucioli con un bastoncino.
14. **Non lasciare l'utensile mentre è in funzione.** Far funzionare l'utensile solo mentre viene tenuto in mano.
15. **Quando si sostituiscono le lame o alcune parti sul tamburo, accertarsi di sostituire le parti da entrambi i lati del tamburo come un gruppo.** In caso contrario, lo sbilanciamento che ne deriverebbe causerebbe vibrazioni e ridurrebbe la vita utile dell'utensile.
16. **Utilizzare esclusivamente le lame Makita specificate nel presente manuale.**
17. **Utilizzare sempre la mascherina antipolvere o il respiratore appropriati per il materiale e l'applicazione con cui si intende lavorare.**
18. **Far funzionare l'utensile in condizioni stabili.** Il funzionamento in condizioni instabili potrebbe causare lesioni personali.

## CONSERVARE LE PRESENTI ISTRUZIONI.

**⚠AVVERTIMENTO:** NON lasciare che la comodità o la familiarità d'uso con il prodotto (acquisita con l'uso ripetuto) sostituiscano la stretta osservanza delle norme di sicurezza.

**L'USO IMPROPRIO** o la mancata osservanza delle norme di sicurezza riportate nel presente manuale di istruzioni potrebbero causare lesioni personali gravi.

### Istruzioni di sicurezza importanti per la cartuccia della batteria

1. **Prima di utilizzare la cartuccia della batteria, leggere tutte le istruzioni e le avvertenze riportate (1) sul caricabatteria, (2) sulla batteria e (3) sul prodotto che utilizza la batteria.**
2. **Non smantellare né manomettere la cartuccia della batteria.** In caso contrario, si potrebbe causare un incendio, calore eccessivo o un'esplosione.

3. Qualora il tempo di utilizzo si riduca eccessivamente, interrompere immediatamente l'utilizzo dell'utensile. In caso contrario, si può incorrere nel rischio di surriscaldamento, possibili ustioni e persino un'esplosione.
4. Qualora l'elettrolita entri in contatto con gli occhi, sciacquarli con acqua pulita e richiedere immediatamente assistenza medica. Questa eventualità può risultare nella perdita della vista.
5. Non cortocircuitare la cartuccia della batteria:
  - (1) Non toccare i terminali con alcun materiale conduttivo.
  - (2) Evitare di conservare la cartuccia della batteria in un contenitore insieme ad altri oggetti metallici quali chiodi, monete, e così via.
  - (3) Non esporre la cartuccia della batteria all'acqua o alla pioggia.

Un cortocircuito della batteria può causare un grande flusso di corrente, un surriscaldamento, possibili ustioni e persino un guasto.

6. Non conservare e utilizzare l'utensile e la cartuccia della batteria in ubicazioni in cui la temperatura possa raggiungere o superare i 50 °C.
7. Non incenerire la cartuccia della batteria anche qualora sia gravemente danneggiata o completamente esaurita. La cartuccia della batteria può esplodere se a contatto con il fuoco.
8. Non inchiodare, tagliare, schiacciare, lanciare o far cadere la cartuccia della batteria, né farla urtare con forza contro un oggetto duro. Questi comportamenti potrebbero risultare in un incendio, calore eccessivo o un'esplosione.
9. Non utilizzare una batteria danneggiata.
10. Le batterie a ioni di litio contenute sono soggette ai requisiti del regolamento sul trasporto di merci pericolose (Dangerous Goods Legislation). Per trasporti commerciali, ad esempio da parte di terzi o spedizionieri, è necessario osservare dei requisiti speciali sull'imballaggio e sull'etichetta. Per la preparazione dell'articolo da spedire, è richiesta la consulenza di un esperto in materiali pericolosi. Attenersi anche alle normative nazionali, che potrebbero essere più dettagliate. Nasturare o coprire i contatti aperti e imballare la batteria in modo tale che non si possa muovere liberamente all'interno dell'imballaggio.
11. Quando si intende smaltire la cartuccia della batteria, rimuoverla dall'utensile e smaltirla in un luogo sicuro. Attenersi alle normative locali relative allo smaltimento della batteria.
12. Utilizzare le batterie esclusivamente con i prodotti specificati da Makita. L'installazione delle batterie in prodotti non compatibili potrebbe risultare in incendi, calore eccessivo, esplosioni o perdite di liquido elettrolitico.
13. Se l'utensile non viene utilizzato per un periodo di tempo prolungato, la batteria deve essere rimossa dall'utensile.
14. Durante e dopo l'uso, la cartuccia della batteria potrebbe assorbire calore, che può causare ustioni o ustioni a bassa temperatura. Fare attenzione a come si maneggiano le cartucce delle batterie estremamente calde.

15. Non toccare i terminali dell'utensile subito dopo l'uso, in quanto potrebbero diventare estremamente caldi al punto da causare ustioni.
16. Evitare di far incastrare schegge, polveri o terreno nei terminali, nei fori e nelle scanalature della cartuccia della batteria. In caso contrario, l'utensile o la cartuccia della batteria potrebbero riscaldarsi, prendere fuoco, scoppiare o guastarsi, causando ustioni o lesioni personali.
17. A meno che l'utensile supporti l'uso in prossimità di linee elettriche ad alta tensione, non utilizzare la cartuccia della batteria in prossimità di linee elettriche ad alta tensione. In caso contrario, si potrebbe causare un malfunzionamento o la rottura dell'utensile o della cartuccia della batteria.
18. Tenere la batteria lontana dai bambini.

## CONSERVARE LE PRESENTI ISTRUZIONI.

**ATTENZIONE:** Utilizzare solo batterie originali Makita. L'utilizzo di batterie Makita non originali, o di batterie che siano state alterate, potrebbe risultare nello scoppio della batteria, causando incendi, lesioni personali e danni. Inoltre, ciò potrebbe invalidare la garanzia Makita per l'utensile e il caricabatterie Makita.

## Suggerimenti per preservare la durata massima della batteria

1. Caricare la cartuccia della batteria prima che si scarichi completamente. Smettere sempre di utilizzare l'utensile e caricare la cartuccia della batteria quando si nota che la potenza dell'utensile è diminuita.
2. Non ricaricare mai una cartuccia della batteria completamente carica. La sovraccarica riduce la vita utile della batteria.
3. Caricare la cartuccia della batteria a una temperatura ambiente compresa tra 10 °C e 40 °C. Lasciar raffreddare una cartuccia della batteria prima di caricarla.
4. Quando non si utilizza la cartuccia della batteria, rimuoverla dall'utensile o dal caricabatterie.
5. Caricare la cartuccia della batteria se non la si è utilizzata per un periodo di tempo prolungato (più di sei mesi).

### Istruzioni importanti per la sicurezza dell'unità senza fili

1. Non smontare né manomettere l'unità senza fili.
2. Tenere l'unità senza fili lontana dai bambini piccoli. Qualora venga inghiottita accidentalmente, richiedere immediatamente assistenza medica.
3. Utilizzare l'unità senza fili esclusivamente con utensili Makita.
4. Non esporre l'unità senza fili alla pioggia o a condizioni di bagnato.

5. Non utilizzare l'unità senza fili in luoghi in cui la temperatura superi i 50 °C.
6. Non utilizzare l'unità senza fili in luoghi in cui siano presenti strumenti medici, ad esempio pacemaker, nelle vicinanze.
7. Non utilizzare l'unità senza fili in luoghi in cui siano presenti dispositivi automatizzati nelle vicinanze. In caso contrario, i dispositivi automatizzati potrebbero sviluppare un malfunzionamento o un errore.
8. Non far funzionare l'unità senza fili in ubicazioni con temperatura ambiente elevata o in ubicazioni in cui potrebbero venire generati elettricità statica o disturbi elettrici.
9. L'unità senza fili può produrre campi elettromagnetici (EMF) ma questi ultimi non sono dannosi per l'utente.
10. L'unità senza fili è uno strumento preciso. Fare attenzione a non far cadere e a non colpire l'unità senza fili.
11. Evitare di toccare il terminale dell'unità senza fili a mani nude o con materiali metallici.
12. Rimuovere sempre la batteria sul prodotto quando si intende installare su quest'ultimo l'unità senza fili.
13. Quando si intende aprire il coperchio dell'alloggiamento, evitare ubicazioni in cui polvere e acqua potrebbero penetrare nell'alloggiamento. Mantenere sempre l'apertura di entrata dell'alloggiamento pulita.
14. Inserire sempre l'unità senza fili nella direzione corretta.
15. Non premere con forza eccessiva il pulsante di attivazione della comunicazione senza fili sull'unità senza fili, né premere il pulsante con un oggetto dal bordo affilato.
16. Chiudere sempre il coperchio dell'alloggiamento durante il funzionamento.
17. Non rimuovere l'unità senza fili dall'alloggiamento mentre viene fornita l'alimentazione all'utensile. In caso contrario, si potrebbe causare un malfunzionamento dell'unità senza fili.
18. Non rimuovere l'adesivo sull'unità senza fili.
19. Non applicare alcun adesivo sull'unità senza fili.
20. Non lasciare l'unità senza fili in un'ubicazione in cui potrebbero venire generati elettricità statica o disturbi elettrici.
21. Non lasciare l'unità senza fili in ubicazioni soggette a calore elevato, ad esempio in un'auto parcheggiata al sole.
22. Non lasciare l'unità senza fili in ubicazioni polverose o in ubicazioni in cui potrebbero venire generati gas corrosivi.
23. Una variazione improvvisa di temperatura potrebbe far bagnare di condensa l'unità senza fili. Non utilizzare l'unità senza fili fino alla completa asciugatura della condensa.
24. Quando si intende pulire l'unità senza fili, passarvi sopra delicatamente un panno morbido asciutto. Non utilizzare benzina per pulizia, diluenti, grasso conduttivo o simili.
25. Quando si intende riporre l'unità senza fili, conservarla nella custodia in dotazione o in un contenitore antistatico.
26. Non inserire alcun dispositivo diverso dall'unità senza fili Makita nell'alloggiamento presente sull'utensile.
27. Non utilizzare l'utensile con il coperchio dell'alloggiamento danneggiato. Qualora nell'alloggiamento penetrino acqua, polvere e sporco, potrebbero causare un malfunzionamento.
28. Non tirare né attorcigliare il coperchio dell'alloggiamento oltre il necessario. Qualora il coperchio si stacchi dall'utensile, riapplicarlo.
29. Qualora il coperchio dell'alloggiamento vada perso o venga danneggiato, sostituirlo.

## CONSERVARE LE PRESENTI ISTRUZIONI.

### DESCRIZIONE DELLE FUNZIONI

**ATTENZIONE:** Accertarsi sempre che l'utensile sia spento e che la cartuccia della batteria sia stata rimossa prima di regolare o di controllare il funzionamento dell'utensile.

### Installazione o rimozione della cartuccia della batteria

**ATTENZIONE:** Spegnerne sempre l'utensile prima di installare o rimuovere la cartuccia della batteria.

**ATTENZIONE:** Mantenere saldamente lo strumento e la batteria quando si intende installare o rimuovere la cartuccia della batteria. Qualora non si mantengano saldamente lo strumento e la cartuccia della batteria, questi ultimi potrebbero scivolare dalle mani, con la possibilità di causare un danneggiamento dello strumento e della cartuccia della batteria, nonché una lesione personale.

► Fig.1: 1. Indicatore rosso 2. Pulsante 3. Cartuccia della batteria

Per rimuovere la cartuccia della batteria, farla scorrere via dall'utensile mentre si fa scorrere allo stesso tempo il pulsante sulla parte anteriore della cartuccia.

Per installare la cartuccia della batteria, allineare la linguetta sulla cartuccia della batteria con la scanalatura nell'alloggiamento e farla scivolare in sede. Inserirla completamente fino al suo blocco in sede con un leggero scatto. Se è possibile vedere l'indicatore rosso, come indicato nella figura, non è bloccata completamente.

**ATTENZIONE:** Installare sempre fino in fondo la cartuccia della batteria, fino a quando l'indicatore rosso non è più visibile. In caso contrario, la batteria potrebbe cadere accidentalmente dall'utensile, causando lesioni personali all'operatore o a chi gli è vicino.

**ATTENZIONE:** Non installare forzatamente la cartuccia della batteria. Qualora la batteria non si inserisca scorrendo agevolmente, vuol dire che non viene inserita correttamente.

## Sistema di protezione strumento/ batteria

L'utensile è dotato di un sistema di protezione dell'utensile stesso e della batteria. Tale sistema interrompe automaticamente l'alimentazione al motore per prolungare la vita utile dell'utensile e della batteria. L'utensile si arresta automaticamente durante il funzionamento, qualora l'utensile o la batteria vengano a trovarsi in una delle condizioni seguenti:

### Protezione dal sovraccarico

Quando l'utensile o la batteria vengono utilizzati in un modo che causi un assorbimento di energia elevato in modo anomalo, l'utensile si arresta automaticamente. In questa circostanza, spegnere l'utensile e interrompere l'applicazione che ha causato il sovraccarico dell'utensile. Quindi, accendere l'utensile per ricominciare.

### Protezione dal surriscaldamento

Quando l'utensile o la batteria sono surriscaldati, l'utensile si arresta automaticamente. In questa situazione, lasciar raffreddare l'utensile o la batteria prima di riaccendere l'utensile.

### Protezione dalla sovrascarica

Quando la carica della batteria non è sufficiente, l'utensile si arresta automaticamente. In tal caso, rimuovere la batteria dall'utensile e caricarla.

### Protezione da altre cause

Il sistema di protezione è progettato anche per altre cause che potrebbero danneggiare l'utensile, e consente all'utensile di arrestarsi automaticamente. Adottare tutte le misure seguenti per rimuovere le cause, quando l'utensile è stato portato a un'interruzione temporanea o a un arresto del funzionamento.

1. Spegner l'utensile, quindi riaccenderlo per ricominciare.
2. Caricare la batteria o le batterie, o sostituirla/sostituirle con una batteria o delle batterie ricaricate.
3. Lasciar raffreddare l'utensile e la batteria o le batterie.

Qualora non si riscontri alcun miglioramento ripristinando il sistema di protezione, contattare il proprio centro di assistenza locale Makita.

## Indicazione della carica residua della batteria

Premere il pulsante di controllo sulla cartuccia della batteria per indicare la carica residua della batteria. Gli indicatori luminosi si illuminano per alcuni secondi.

► **Fig.2:** 1. Indicatori luminosi 2. Pulsante di controllo

Indicatori luminosi			Carica residua
■ Illuminato	□ Spento	◐ Lampeggiante	
■ ■ ■ ■			Dal 75% al 100%
■ ■ ■ □			Dal 50% al 75%
■ ■ □ □			Dal 25% al 50%
■ □ □ □			Dallo 0% al 25%
◐ □ □ □			Caricare la batteria.
■ ■ □ □		↑ ↓	La batteria potrebbe essersi guastata.

**NOTA:** A seconda delle condizioni d'uso e della temperatura ambiente, l'indicazione potrebbe variare leggermente rispetto alla carica effettiva.

**NOTA:** Il primo indicatore luminoso (all'estremità sinistra) lampeggia quando il sistema di protezione della batteria è in funzione.

## Regolazione della profondità di taglio

**⚠ATTENZIONE:** Prima di regolare la profondità di taglio, spegnere sempre l'utensile e attendere che le lame si siano arrestate completamente.

**NOTA:** Quando si ruota la manopola di regolazione della profondità, accertarsi di mantenere saldamente la maniglia con l'altra mano.

È possibile regolare la profondità di taglio ruotando la manopola di regolazione della profondità sul lato anteriore dell'utensile. Ruotare la manopola per allineare l'indicatore con la profondità di taglio desiderata sulla scala di profondità.

► **Fig.3:** 1. Manopola di regolazione della profondità  
2. Indicatore 3. Scala di profondità

## Utilizzo dell'interruttore

**⚠AVVERTIMENTO:** Prima di inserire la cartuccia della batteria nell'utensile, controllare sempre che l'interruttore a grilletto funzioni correttamente e torni sulla posizione "OFF" quando viene rilasciato.

**⚠AVVERTIMENTO:** Non rendere MAI inefficace il pulsante di sblocco tenendolo premuto con nastro adesivo o in altri modi. Un interruttore con un pulsante di sblocco che sia stato reso inefficace potrebbe risultare in un funzionamento accidentale e in gravi lesioni personali.

**⚠AVVERTIMENTO:** Non utilizzare MAI l'utensile qualora si avvii semplicemente premendo l'interruttore a grilletto senza tenere premuto il pulsante di sblocco. Un interruttore che necessiti di riparazione potrebbe risultare in un funzionamento accidentale e in gravi lesioni personali. Riportare l'utensile a un centro di assistenza Makita per le riparazioni necessarie PRIMA di un ulteriore utilizzo.

**AVVISO:** Non premere con forza l'interruttore a grilletto senza aver fatto rientrare il pulsante di sblocco premendolo. In caso contrario, si potrebbe causare la rottura dell'interruttore.

Per evitare l'azionamento accidentale dell'interruttore a grilletto, è fornito il pulsante di sblocco. Per avviare l'utensile, premere e tenere premuto il pulsante di sblocco, quindi premere l'interruttore a grilletto. Per arrestarlo, rilasciare l'interruttore a grilletto.

► **Fig.4:** 1. Interruttore a grilletto 2. Pulsante di sblocco

## Piede

Il piede fuoriesce a scatto dalla base posteriore quando si solleva l'utensile dalle superfici di lavoro, per evitare che le lame della pialla tocchino direttamente il pezzo in lavorazione. Il piede evita danneggiamenti accidentali delle lame della pialla quando quest'ultima non è in uso. Il piede rientra a scatto nella base posteriore ogni volta che si posiziona la base dell'utensile sopra le superfici di lavoro.

► **Fig.5:** 1. Lama per pialla 2. Base posteriore  
3. Piede 4. Superficie di lavoro

## Funzione di prevenzione del riavvio accidentale

Se si installa la cartuccia della batteria mentre si tiene premuto l'interruttore a grilletto, l'utensile non si avvia. Per avviare l'utensile, rilasciare l'interruttore a grilletto, quindi premere di nuovo l'interruttore a grilletto mentre si tiene premuto il pulsante di sblocco.

## Funzione elettronica

L'utensile è dotato delle funzioni elettroniche seguenti, per un facile utilizzo.

### Freno elettrico

L'utensile è dotato di un freno elettrico. Qualora l'utensile non riesca ripetutamente ad arrestarsi rapidamente dopo il rilascio dell'interruttore a grilletto, far sottoporre a riparazione l'utensile presso il proprio centro di assistenza Makita locale.

### Funzione di avvio morbido

La funzione di avvio morbido riduce al minimo l'impatto all'avvio, e fa avviare delicatamente l'utensile.

## MONTAGGIO

**⚠ATTENZIONE:** Accertarsi sempre che l'utensile sia spento e che la cartuccia della batteria sia stata rimossa, prima di effettuare qualsiasi intervento sull'utensile.

### Conservazione della chiave a tubo

Conservare la chiave a tubo quando non è in uso, come indicato nella figura, per evitare che si perda.

► **Fig.6:** 1. Chiave a tubo

### Rimozione e installazione delle lame della pialla

**⚠ATTENZIONE:** Quando si intende montare le lame della pialla sull'utensile, serrare con cura i bulloni di installazione delle lame. Verificare sempre che siano serrati saldamente. Un bullone di installazione allentato può essere pericoloso.

**⚠ATTENZIONE:** Maneggiare le lame della pialla con estrema cautela. Quando si intende rimuovere e installare le lame della pialla, utilizzare dei guanti o degli stracci per proteggere le dita o le mani.

**⚠ATTENZIONE:** Per rimuovere o installare le lame della pialla, utilizzare esclusivamente la chiave Makita fornita in dotazione. In caso contrario, si potrebbe causare il serraggio eccessivo o insufficiente dei bulloni di installazione. Questo potrebbe causare lesioni personali.

**AVVISO:** Per installare le lame della pialla, eliminare tutti i trucioli o i corpi estranei depositati sul tamburo o sulle lame della pialla. Utilizzare lame per pialla di dimensioni e peso identici; in caso contrario, si verificherebbero oscillazioni/vibrazioni del tamburo, che causerebbero una piallatura scadente e la rottura dell'utensile.

## Per utensili dotati di lame per pialla convenzionali

**NOTA:** Nel tamburo è assemblata una coppia di lame per pialla. Ripetere le procedure seguenti per ciascuna lama per pialla.

### Rimozione delle lame per pialla convenzionali

1. Svitare i bulloni di installazione dal tamburo utilizzando la chiave a tubo fornita in dotazione.
2. Smontare la piastra del tamburo e la lama per pialla convenzionale (con la piastra di regolazione) dal tamburo.  
► **Fig.7:** 1. Bullone di installazione 2. Piastra del tamburo 3. Lama convenzionale (con piastra di regolazione) 4. Tamburo
3. Svitare le viti dalla lama per pialla convenzionale, quindi rimuovere la piastra di regolazione.  
► **Fig.8:** 1. Viti 2. Lama per pialla convenzionale 3. Piastra di regolazione

### Installazione delle lame per pialla convenzionali

1. Posizionare una lama per pialla convenzionale sul calibro per lame, allineandone il tagliente orizzontalmente lungo la parete guida sul calibro per lame.  
► **Fig.9:** 1. Lama per pialla convenzionale 2. Calibro per lame 3. Tagliente 4. Parete guida
2. Posizionare la piastra di regolazione sulla lama per pialla convenzionale, quindi serrare leggermente le viti.
3. Spingere la piastra di regolazione in avanti fino a far appoggiare la sua guida di posizionamento con precisione e nella sua interezza lungo la parete laterale posteriore del calibro per lame.
4. Mantenere la piastra di regolazione in posizione, quindi serrare le viti per fissarla in sede.  
► **Fig.10:** 1. Piastra di regolazione 2. Lama per pialla convenzionale 3. Vite 4. Guida di posizionamento 5. Parete laterale posteriore 6. Calibro per lame
5. Eliminare tutti i trucioli di legno e i corpi estranei depositati sul tamburo e sulla lama per pialla convenzionale.
6. Far scivolare la guida di posizionamento della piastra di regolazione nella scanalatura guida nel tamburo, quindi applicare la piastra del tamburo sopra la lama per pialla convenzionale (con la piastra di regolazione).
7. Serrare tutti i bulloni di installazione in modo uniforme con schema incrociato (un po' alla volta passando dall'uno all'altro) con la chiave a tubo.  
► **Fig.11:** 1. Guida di posizionamento 2. Piastra di regolazione 3. Scanalatura guida 4. Tamburo 5. Piastra del tamburo 6. Lama per pialla convenzionale 7. Bullone di installazione

## Per utensili dotati di minilame per pialla

**NOTA:** Nel tamburo è assemblata una coppia di lame per pialla. Ripetere le procedure seguenti per ciascuna lama per pialla.

### Rimozione delle minilame per pialla

1. Allentare i bulloni di installazione di un giro utilizzando la chiave a tubo fornita in dotazione.  
► **Fig.12:** 1. Bullone di installazione 2. Chiave a tubo
2. Far scorrere la minilama per pialla fuori dal tamburo, spingendo un'estremità della lama verso l'esterno dal lato della copertura della cinghia.  
► **Fig.13:** 1. Minilama per pialla 2. Tamburo 3. Copertura della cinghia 4. Manico a T della chiave a tubo

**NOTA:** Utilizzare le estremità del manico a T della chiave a tubo per far scorrere fuori la minilama per pialla, per un utilizzo e una manutenzione più sicuri.

### Installazione delle minilame per pialla

1. Eliminare tutti i trucioli di legno e i corpi estranei depositati sul tamburo e sulla minilama per pialla.
2. Far scorrere una minilama per pialla lungo lo spazio tra il tamburo e la piastra di fissaggio, spingendo un'estremità della lama verso l'interno dal lato opposto rispetto alla copertura della cinghia.
3. Serrare tutti i bulloni di installazione in modo uniforme con schema incrociato (un po' alla volta passando dall'uno all'altro) con la chiave a tubo.  
► **Fig.14:** 1. Minilama per pialla 2. Tamburo 3. Piastra di fissaggio 4. Copertura della cinghia 5. Bullone di installazione 6. Chiave a tubo

### Calibrazione della minilama per pialla

Eseguire a intervalli regolari una calibrazione sulle lame della pialla, per ottimizzare l'efficienza di lavoro.

1. Allentare i bulloni di installazione di un giro utilizzando la chiave a tubo fornita in dotazione.
2. Far scorrere la minilama per pialla fuori dal tamburo, spingendo un'estremità della lama verso l'esterno dal lato della copertura della cinghia.
3. Svitare i bulloni di installazione dal tamburo utilizzando la chiave a tubo.
4. Smontare la piastra del tamburo e la piastra di fissaggio (con la piastra di regolazione) dal tamburo.  
► **Fig.15:** 1. Bullone di installazione 2. Piastra del tamburo 3. Piastra di fissaggio (con la piastra di regolazione) 4. Tamburo
5. Allentare di un giro le viti sulla piastra di fissaggio, per sganciare la piastra di regolazione.  
► **Fig.16:** 1. Viti 2. Piastra di fissaggio 3. Piastra di regolazione
6. Eliminare tutti i trucioli di legno e i corpi estranei depositati sulla piastra di fissaggio (con la piastra di regolazione) e sulla minilama per pialla.
7. Posizionare la minilama per pialla sul calibro per lame, allineandone il tagliente orizzontalmente lungo la parete guida sul calibro per lame.



8. Posizionare la piastra di fissaggio (con la piastra di regolazione) sopra la minilama per pialla, allineando le sporgenze guida presenti sulla piastra di fissaggio con le scanalature guida sulla minilama per pialla.

► **Fig.17:** 1. Minilama per pialla 2. Calibro per lame 3. Tagliante 4. Parete guida 5. Piastra di fissaggio (con la piastra di regolazione) 6. Sporgenza guida 7. Scanalatura guida

9. Spingere la piastra di regolazione in avanti fino a far appoggiare la sua guida di posizionamento con precisione e nella sua interezza lungo la parete laterale posteriore del calibro per lame.

10. Mantenere la piastra di regolazione in posizione, quindi serrare le viti per fissarla in sede.

► **Fig.18:** 1. Piastra di regolazione 2. Piastra di fissaggio 3. Vite 4. Guida di posizionamento 5. Parete laterale posteriore 6. Calibro per lame

11. Far scivolare la guida di posizionamento della piastra di regolazione nella scanalatura guida nel tamburo, quindi applicare la piastra del tamburo sopra la piastra di fissaggio (con la piastra di regolazione).

► **Fig.19:** 1. Guida di posizionamento 2. Piastra di regolazione 3. Scanalatura guida 4. Tamburo 5. Piastra del tamburo 6. Piastra di fissaggio 7. Bullone di installazione

12. Serrare leggermente i bulloni di installazione, quindi far scorrere la minilama per pialla lungo lo spazio tra il tamburo e la piastra di fissaggio, spingendo un'estremità della lama verso l'interno dal lato opposto alla copertura della cinghia.

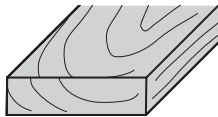
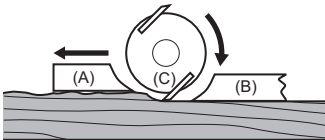
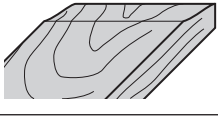
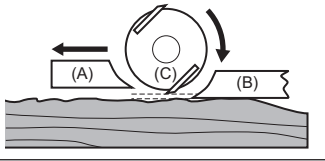
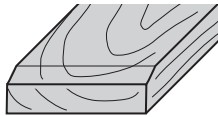
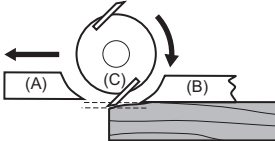
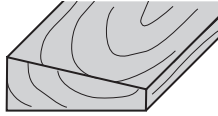
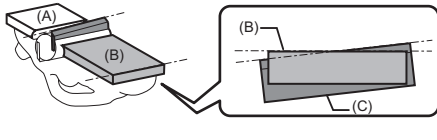
13. Serrare tutti i bulloni di installazione in modo uniforme con schema incrociato (un po' alla volta passando dall'uno all'altro) con la chiave a tubo.

► **Fig.20:** 1. Minilama per pialla 2. Tamburo 3. Piastra di fissaggio 4. Copertura della cinghia 5. Bullone di installazione 6. Chiave a tubo

## Impostazioni della lama per pialla

La superficie di piallatura risulterà ruvida e irregolare, se le lame della pialla non sono impostate in modo corretto e saldo.

Installare le lame della pialla correttamente, in modo che i taglianti siano disposti ad angolo retto, allo stesso livello assoluto della linea di base posteriore, ed esattamente in parallelo rispetto al fondo del piano. Per le impostazioni corrette, leggere gli esempi riportati nella tabella.

Superficie di piallatura	Impostazione della lama	Causa
		I taglianti si trovano allo stesso livello della linea di base posteriore, e corrono da un lato all'altro in parallelo rispetto al fondo del piano.
		I taglianti non raggiungono la linea di base posteriore.
		I taglianti oltrepassano la linea di base posteriore.
		I taglianti si trovano, da un lato all'altro, in posizioni non parallele al fondo del piano.
(A): base anteriore (pedino regolabile) (B): base posteriore (pedino fisso) (C): lama della pialla		



## Installazione della guida laterale

1. Appoggiare l'utensile con la copertura della cinghia rivolta verso l'alto.
2. Montare la guida laterale in sede, fissandola con la vite con testa ad aletta nel foro di montaggio sul lato della testa dell'utensile.  
► **Fig.21:** 1. Copertura della cinghia 2. Guida laterale 3. Vite con testa ad aletta 4. Foro di montaggio
3. Far scorrere la guida di allineamento verso l'interno e verso l'esterno sulla larghezza di piallatura desiderata, quindi serrare la vite con testa ad aletta per fissarla nella posizione richiesta.  
► **Fig.22:** 1. Guida di allineamento 2. Vite con testa ad aletta

## Installazione della guida di profondità

1. Appoggiare l'utensile con la copertura della cinghia rivolta verso il basso.
2. Montare la guida di profondità in sede, fissandola con la rondella e la vite con testa ad aletta nel foro di montaggio sul lato della testa dell'utensile.  
► **Fig.23:** 1. Copertura della cinghia 2. Guida di profondità 3. Rondella 4. Vite con testa ad aletta 5. Foro di montaggio
3. Far scorrere la guida di profondità verso l'alto e verso il basso sulla profondità di piallatura desiderata, quindi serrare la vite con testa ad aletta per fissarla nella posizione richiesta.  
► **Fig.24:** 1. Guida di profondità 2. Vite con testa ad aletta

## Installazione dei righelli per smussatura

### Accessorio opzionale

1. Appoggiare l'utensile con la base anteriore rivolta verso l'alto.
2. Montare le guide di allineamento sui bracci di montaggio, allineando le sporgenze sui bracci con le fessure guida nelle guide di allineamento, quindi fissarle con le rondelle e le viti con testa ad alette.
3. Montare in sede i righelli per smussatura (kit di guide di allineamento e bracci di montaggio), fissandoli con le viti con testa ad aletta nei fori di montaggio presenti su entrambi i lati della testa dell'utensile.  
► **Fig.25:** 1. Base anteriore 2. Guida di allineamento 3. Braccio di montaggio 4. Sporgenza 5. Fessura guida 6. Rondella 7. Vite con testa ad aletta 8. Foro di montaggio
4. Far scorrere le guide di allineamento verso l'interno e verso l'esterno sull'escursione di smussatura desiderata, quindi serrare le viti con testa ad aletta per fissarle nella posizione richiesta.  
► **Fig.26:** 1. Guida di allineamento 2. Vite con testa ad aletta

## Estrazione delle polveri e dei trucioli di legno

È possibile scaricare polveri e trucioli di legno dal lato sinistro o dal lato destro delle aperture di scarico. Coprire con il tappo una delle aperture di scarico sul lato opposto a quello della direzione preferita di estrazione delle polveri.

Per staccare il tappo dall'apertura di scarico, ruotare leggermente il tappo verso la maniglia per sganciare il blocco, quindi staccare il tappo tirandolo.

► **Fig.27:** 1. Tappo 2. Maniglia

Come per l'installazione, inserire il tappo tenendolo diritto in una delle aperture, allineando la fessura di bloccaggio nel tappo con la sporgenza guida nell'apertura, fino a quando si innesta in sede.

► **Fig.28:** 1. Tappo 2. Fessura di bloccaggio 3. Sporgenza guida

## Sacchetto polveri

### Accessorio opzionale

Montare il sacchetto polveri su una delle aperture di scarico, e spingerlo con decisione fino in fondo. Accertarsi che il sacchetto polveri sia applicato saldamente sull'apertura conica, in modo da non farlo staccare durante l'uso.

► **Fig.29:** 1. Sacchetto polveri 2. Apertura di scarico

Quando il sacchetto polveri è quasi pieno a metà, rimuoverlo dall'utensile ed estrarre la chiusura. Svuotare il sacchetto polveri. Dare dei leggeri colpetti al sacchetto polveri per rimuovere le particelle depositate all'interno, che potrebbero ostacolare l'ulteriore raccolta delle polveri.

► **Fig.30:** 1. Chiusura

**NOTA:** Se si collega un aspirapolvere Makita a questo utensile, è possibile eseguire operazioni più efficienti e più pulite.

## Collegamento di un aspirapolvere

Quando si desidera effettuare operazioni di piallatura pulite, collegare un aspirapolvere Makita all'utensile. Collegare un tubo flessibile dell'aspirapolvere a una delle aperture di scarico, come indicato nella figura.

► **Fig.31:** 1. Aspirapolvere

## Gomito

### Accessorio opzionale

Utilizzare un gomito di estrazione delle polveri per condensare il flusso d'aria di estrazione alle angolazioni preferite, per un ambiente di lavoro più pulito. Montare il gomito in una delle aperture di scarico e spingerlo con decisione fino in fondo.

► **Fig.32:** 1. Gomito

# FUNZIONAMENTO

**ATTENZIONE:** Quando si utilizza l'utensile, mantenerlo saldamente con una mano sulla maniglia con l'interruttore e con l'altra mano sulla manopola di regolazione della profondità.

## Operazione di piallatura

1. Mantenere l'utensile saldamente con entrambe le mani, con una mano sulla maniglia con l'interruttore e con l'altra sulla manopola di regolazione della profondità.
  2. Appoggiare la base anteriore dell'utensile di piatto sulla superficie del pezzo in lavorazione, senza che le lame della pialla entrino in contatto con quest'ultimo.
  3. Accendere l'utensile e attendere che raggiunga la piena velocità.
  4. Spostare delicatamente l'utensile in avanti, applicando all'inizio una pressione verso il basso leggermente più forte sulla manopola di regolazione della profondità, in modo da mantenere l'intera base della pialla in piano e allineata alla superficie del pezzo in lavorazione.
- **Fig.33**

5. A metà dell'operazione, applicare con cura la pressione in modo uniforme sulla superficie del pezzo in lavorazione, e spingere in avanti l'utensile a velocità costante.
- **Fig.34**

**NOTA:** Bilanciare la pressione delle mani tra la maniglia con l'interruttore e la manopola di regolazione della profondità, in modo che sia la base anteriore che quella posteriore siano in contatto con la superficie del pezzo in lavorazione.

6. Alla fine di un passaggio, applicare un maggiore controllo sulla maniglia con l'interruttore per evitare di andare troppo oltre, poiché la base anteriore cadrebbe dalla superficie del pezzo in lavorazione.
- **Fig.35**

**NOTA:** La piallatura può risultare più semplice se si posiziona il pezzo in lavorazione con una leggera inclinazione in avanti, in modo da rilasciare la pressione applicata per mantenere l'utensile durante l'uso.

**NOTA:** Regolare la velocità e la profondità di taglio per le finiture desiderate delle superfici.

Per una finitura più grossolana, impostare una profondità di taglio sufficientemente profonda sul pezzo in lavorazione.

Per una finitura liscia e accurata, spingere lentamente l'utensile, con una profondità di taglio poco profonda, ed effettuare più passaggi.

## Intaglio per perline (scanalatura)

### ► Fig.36

Per effettuare un taglio a scalino come indicato nella figura, utilizzare la guida laterale.

1. Installare la guida laterale e la guida di profondità sull'utensile e fissarle con le rondelle e le viti con testa ad aletta.
2. Regolare la guida di profondità sulla profondità di intaglio per perline, e fissarla in sede con la vite con testa ad aletta.
3. Tracciare una linea di taglio sul pezzo in lavorazione, quindi allineare il filo della lama con la linea di taglio.

► **Fig.37:** 1. Filo della lama 2. Linea di taglio 3. Guida di profondità 4. Vite con testa ad aletta

**NOTA:** Accertarsi che il filo della lama fuoriesca dall'estremità laterale del tamburo di una lunghezza compresa tra 1,6 mm e 1,8 mm per l'intaglio per perline (vedere "A" nella figura seguente).

\*È possibile scegliere di lasciar fuoriuscire l'estremità della lama dall'estremità laterale della base anteriore di una lunghezza compresa tra 0,2 mm e 0,4 mm (vedere "B" nella figura seguente).

- **Fig.38:** 1. Filo della lama 2. Estremità laterale del tamburo 3. Estremità laterale della base anteriore
4. Far scorrere la guida di allineamento nella guida laterale verso l'interno, fino a quando entra in contatto con la parete laterale del pezzo in lavorazione. Quindi, fissarla in sede con la vite con testa ad aletta.
- **Fig.39:** 1. Guida laterale 2. Guida di allineamento 3. Parete laterale 4. Vite con testa ad aletta

5. Eseguire l'operazione di piallatura spostando l'utensile con l'intera guida di allineamento che scorre lungo la parete laterale del pezzo in lavorazione.

**NOTA:** È possibile estendere le lunghezze a cui può arrivare la guida pezzo montando un pezzo aggiuntivo di legno sui fori di montaggio nella guida pezzo.

► **Fig.40:** 1. Pezzo di legno aggiuntivo 2. Fori di montaggio

## Smussatura

### ► Fig.41

Per effettuare un taglio di smussatura, utilizzare le scanalature a "V" tagliate nella base anteriore, come indicato nella figura.

Effettuare l'operazione di piallatura spostando l'utensile mentre si allinea una delle tre scanalature a "V" nella base anteriore con il bordo ad angolo del pezzo in lavorazione.

- **Fig.42:** 1. Scanalatura a "V" (smussatura media) 2. Scanalatura a "V" (smussatura leggera) 3. Scanalatura a "V" (smussatura profonda)

## Uso dei rigelli per smussatura

### Accessorio opzionale

1. Far scorrere le guide di allineamento nei rigelli per smussatura verso l'interno, fino a quando entrano in contatto con le pareti ad angolo del pezzo in lavorazione.
  2. Fissare in sede le guide di allineamento con le viti con testa ad aletta.
  3. Eseguire l'operazione di piallatura spostando l'utensile con le intere guide di allineamento che scorrono lungo le pareti ad angolo del pezzo in lavorazione.
- **Fig.43:** 1. Righello per smussatura 2. Guide di allineamento 3. Vite con testa ad aletta

**NOTA:** Per grandi smussature, effettuare numerosi passaggi di piallatura, partendo da piccole smussature fino a smussature più grandi, come indicato nella figura.

- **Fig.44:** 1. Bordo del righello per smussatura 2. Piccola smussatura 3. Grande smussatura

## FUNZIONE DI ATTIVAZIONE DELLA COMUNICAZIONE SENZA FILI

### Cosa si può fare con la funzione di attivazione della comunicazione senza fili

La funzione di attivazione della comunicazione senza fili consente un funzionamento pulito e comodo. Collegando un aspirapolvere supportato all'utensile, è possibile far funzionare automaticamente l'aspirapolvere insieme all'attivazione dell'interruttore dell'utensile.

► **Fig.45**

Per utilizzare la funzione di attivazione della comunicazione senza fili, preparare gli elementi seguenti:

- Un'unità senza fili (accessorio opzionale)
- Un aspirapolvere che supporti la funzione di attivazione della comunicazione senza fili

L'impostazione della funzione di attivazione della comunicazione senza fili è riepilogata di seguito. Per le procedure dettagliate, consultare ciascuna sezione.

1. Installazione dell'unità senza fili
2. Registrazione dell'utensile per l'aspirapolvere
3. Avvio della funzione di attivazione della comunicazione senza fili

## Installazione dell'unità senza fili

### Accessorio opzionale

**ATTENZIONE:** Posizionare l'utensile su una superficie piana e stabile, quando si intende installare l'unità senza fili.

**AVVISO:** Pulire la polvere e lo sporco sull'utensile prima di installare l'unità senza fili. La polvere o lo sporco potrebbero causare un malfunzionamento, qualora penetrino nell'alloggiamento dell'unità senza fili.

**AVVISO:** Per evitare il malfunzionamento causato dall'elettricità statica, toccare un materiale per scaricarla, ad esempio una parte metallica dell'utensile, prima di prendere in mano l'unità senza fili.

**AVVISO:** Quando si installa l'unità senza fili, accertarsi sempre che quest'ultima sia inserita nella direzione corretta e che il coperchio sia completamente chiuso.

1. Aprire il coperchio sull'utensile come indicato nella figura.

► **Fig.46:** 1. Coperchio

2. Inserire l'unità senza fili nell'alloggiamento, quindi chiudere il coperchio.

Quando si inserisce l'unità senza fili, allineare le sporgenze con le rientranze presenti nell'alloggiamento.

► **Fig.47:** 1. Unità senza fili 2. Sporgenza 3. Coperchio 4. Rientranza

Quando si intende rimuovere l'unità senza fili, aprire lentamente il coperchio. I ganci sul retro del coperchio sollevano l'unità senza fili mentre si tira su il coperchio.

► **Fig.48:** 1. Unità senza fili 2. Gancio 3. Coperchio

Dopo aver rimosso l'unità senza fili, conservarla nella custodia in dotazione o in un contenitore antistatico.

**AVVISO:** Utilizzare sempre i ganci sul retro del coperchio quando si intende rimuovere l'unità senza fili. Qualora i ganci non si inseriscano nell'unità senza fili, chiudere completamente il coperchio e aprirlo lentamente.

## Registrazione dell'utensile per l'aspirapolvere

**NOTA:** È richiesto un aspirapolvere Makita che supporti la funzione di attivazione della comunicazione senza fili per la registrazione dell'utensile.

**NOTA:** Completare l'installazione dell'unità senza fili nello strumento prima di avviare la registrazione dell'utensile.

**NOTA:** Durante la registrazione dell'utensile, non premere l'interruttore a grilletto né attivare l'interruttore di accensione sull'aspirapolvere.

**NOTA:** Fare riferimento anche al manuale d'uso dell'aspirapolvere.

Se si desidera attivare l'aspirapolvere insieme all'attivazione dell'interruttore dell'utensile, completare anticipatamente la registrazione dell'utensile.

1. Installare le batterie nell'aspirapolvere e nell'utensile.
2. Impostare il commutatore di standby sull'aspirapolvere su "AUTO".  
► **Fig.49:** 1. Commutatore di standby
3. Premere il pulsante di attivazione della comunicazione senza fili sull'aspirapolvere per 3 secondi, fino a quando l'indicatore luminoso di attivazione della comunicazione senza fili lampeggia in verde. Quindi, premere il pulsante di attivazione della comunicazione senza fili sull'utensile in modo analogo.  
► **Fig.50:** 1. Pulsante di attivazione della comunicazione senza fili 2. Indicatore luminoso di attivazione della comunicazione senza fili

Se l'aspirapolvere e l'utensile sono collegati con esito positivo, gli indicatori luminosi di attivazione della comunicazione senza fili si illuminano in verde per 2 secondi, quindi iniziano a lampeggiare in blu.

**NOTA:** Gli indicatori luminosi di attivazione della comunicazione senza fili smettono di lampeggiare in verde dopo 20 secondi. Premere il pulsante di attivazione della comunicazione senza fili sull'utensile mentre l'indicatore luminoso di attivazione della comunicazione senza fili sull'aspiratore sta lampeggiando. Qualora l'indicatore luminoso di attivazione della comunicazione senza fili non lampeggia in verde, premere brevemente e tenere premuto di nuovo il pulsante di attivazione della comunicazione senza fili.

**NOTA:** Quando si intende effettuare due o più registrazioni di utensili per un unico aspirapolvere, completare la registrazione degli utensili uno alla volta.

## Avvio della funzione di attivazione della comunicazione senza fili

**NOTA:** Completare la registrazione dell'utensile per l'aspirapolvere prima dell'attivazione della comunicazione senza fili.

**NOTA:** Fare riferimento anche al manuale d'uso dell'aspirapolvere.

Dopo aver registrato un utensile sull'aspirapolvere, quest'ultimo entra in funzione automaticamente insieme all'attivazione dell'interruttore dell'utensile.

1. Installare l'unità senza fili sull'utensile.
2. Collegare il tubo flessibile dell'aspirapolvere all'utensile.  
► **Fig.51**
3. Impostare il commutatore di standby sull'aspirapolvere su "AUTO".  
► **Fig.52:** 1. Commutatore di standby

4. Premere brevemente il pulsante di attivazione della comunicazione senza fili sull'utensile. L'indicatore luminoso di attivazione della comunicazione senza fili lampeggia in blu.

► **Fig.53:** 1. Pulsante di attivazione della comunicazione senza fili 2. Indicatore luminoso di attivazione della comunicazione senza fili

5. Accendere l'utensile. Verificare se l'aspirapolvere sia in funzione quando l'utensile sta funzionando.

Per interrompere l'attivazione della comunicazione senza fili dell'aspirapolvere, premere il pulsante di attivazione della comunicazione senza fili sull'utensile.

**NOTA:** L'indicatore luminoso di attivazione della comunicazione senza fili sull'utensile smette di lampeggiare in blu quando non viene effettuata alcuna operazione per 2 ore. In questo caso, impostare il commutatore di standby sull'aspirapolvere su "AUTO" e premere di nuovo il pulsante di attivazione della comunicazione senza fili sull'utensile.

**NOTA:** L'aspirapolvere si avvia o si arresta con un ritardo. Si verifica un ritardo temporale quando l'aspirapolvere rileva un'attivazione dell'interruttore sull'utensile.













**NOTA:** La distanza di trasmissione dell'unità senza fili può variare a seconda dell'ubicazione e della situazione circostante.

**NOTA:** Quando due o più utensili sono registrati su un unico aspirapolvere, quest'ultimo potrebbe iniziare a funzionare anche se non si accende l'utensile, in quanto un altro utente sta utilizzando la funzione di attivazione della comunicazione senza fili.

## Descrizione dello stato dell'indicatore luminoso di attivazione della comunicazione senza fili

► **Fig.54:** 1. Indicatore luminoso di attivazione della comunicazione senza fili

L'indicatore luminoso di attivazione della comunicazione senza fili mostra lo stato della funzione di attivazione della comunicazione senza fili. Per informazioni sul significato dello stato dell'indicatore luminoso, fare riferimento alla tabella seguente.

Stato	Indicatore luminoso di attivazione della comunicazione senza fili				Descrizione
	Colore	 Acceso	 Lampeggiante	Durata	
Standby	Blu			2 ore	È disponibile l'attivazione della funzione di comunicazione senza fili dell'aspirapolvere. L'indicatore luminoso si spegne automaticamente quando non viene eseguita alcuna operazione per 2 ore.
				Quando l'utensile è in funzione.	È disponibile l'attivazione della funzione di comunicazione senza fili dell'aspirapolvere e l'utensile è in funzione.
Registrazione dell'utensile	Verde			20 secondi	Pronto alla registrazione dell'utensile. In attesa della registrazione da parte dell'aspirapolvere.
				2 secondi	La registrazione dell'utensile è stata completata. L'indicatore luminoso di attivazione della comunicazione senza fili inizia a lampeggiare in blu.
Annullamento della registrazione dell'utensile	Rosso			20 secondi	Pronto alla cancellazione della registrazione dell'utensile. In attesa della cancellazione da parte dell'aspirapolvere.
				2 secondi	La cancellazione della registrazione dell'utensile è stata completata. L'indicatore luminoso di attivazione della comunicazione senza fili inizia a lampeggiare in blu.
Altro	Rosso			3 secondi	L'alimentazione è fornita all'unità senza fili e la funzione di attivazione della comunicazione senza fili si sta avviando.
	Spento	-		-	L'attivazione della funzione di comunicazione senza fili dell'aspirapolvere è stata arrestata.

### Annullamento della registrazione dell'utensile per l'aspirapolvere

Quando si intende annullare la registrazione dell'utensile per l'aspirapolvere, attenersi alla procedura seguente.

1. Installare le batterie nell'aspirapolvere e nell'utensile.
2. Impostare il commutatore di standby sull'aspirapolvere su "AUTO".

► **Fig.55:** 1. Commutatore di standby

3. Premere il pulsante di attivazione della comunicazione senza fili sull'aspirapolvere per 6 secondi. L'indicatore luminoso di attivazione della comunicazione senza fili lampeggia in verde, quindi diventa rosso. Dopodiché, premere il pulsante di attivazione della comunicazione senza fili sull'utensile in modo analogo.

► **Fig.56:** 1. Pulsante di attivazione della comunicazione senza fili 2. Indicatore luminoso di attivazione della comunicazione senza fili

Se l'annullamento è stato eseguito con esito positivo, gli indicatori luminosi di attivazione della comunicazione senza fili si illuminano in rosso per 2 secondi, quindi iniziano a lampeggiare in blu.

**NOTA:** Gli indicatori luminosi di attivazione della comunicazione senza fili smettono di lampeggiare in rosso dopo 20 secondi. Premere il pulsante di attivazione della comunicazione senza fili sull'utensile mentre l'indicatore luminoso di attivazione della comunicazione senza fili sull'aspiratore sta lampeggiando. Qualora l'indicatore luminoso di attivazione della comunicazione senza fili non lampeggi in rosso, premere brevemente e tenere premuto di nuovo il pulsante di attivazione della comunicazione senza fili.

## Risoluzione dei problemi per la funzione di attivazione della comunicazione senza fili

Prima di richiedere riparazioni, eseguire un'ispezione personalmente. Qualora si rilevi un problema che non è illustrato nel manuale, non tentare di smontare l'utensile. Rivolgersi, invece, a un centro di assistenza autorizzato Makita, utilizzando sempre pezzi di ricambio Makita per le riparazioni.

Stato di anomalia	Causa probabile (guasto)	Azione correttiva
L'indicatore luminoso di attivazione della comunicazione senza fili non si illumina o non lampeggia.	L'unità senza fili non è installata nell'utensile. L'unità senza fili è installata in modo errato nell'utensile.	Installare l'unità senza fili correttamente.
	Il terminale dell'unità senza fili e/o l'alloggiamento sono sporchi.	Asportare delicatamente polvere e sporco presenti sul terminale dell'unità senza fili e pulire l'alloggiamento.
	Il pulsante di attivazione della comunicazione senza fili sull'utensile non è stato premuto.	Premere brevemente il pulsante di attivazione della comunicazione senza fili sull'utensile.
	Il commutatore di standby sull'aspirapolvere non è impostato su "AUTO".	Impostare il commutatore di standby sull'aspirapolvere su "AUTO".
	Alimentazione assente	Fornire l'alimentazione all'utensile e all'aspirapolvere.
Impossibile completare con esito positivo la registrazione dell'utensile o l'annullamento della registrazione dell'utensile.	L'unità senza fili non è installata nell'utensile. L'unità senza fili è installata in modo errato nell'utensile.	Installare l'unità senza fili correttamente.
	Il terminale dell'unità senza fili e/o l'alloggiamento sono sporchi.	Asportare delicatamente polvere e sporco presenti sul terminale dell'unità senza fili e pulire l'alloggiamento.
	Il commutatore di standby sull'aspirapolvere non è impostato su "AUTO".	Impostare il commutatore di standby sull'aspirapolvere su "AUTO".
	Alimentazione assente	Fornire l'alimentazione all'utensile e all'aspirapolvere.
	Funzionamento errato	Premere brevemente il pulsante di attivazione della comunicazione senza fili ed eseguire di nuovo la procedura di registrazione o di annullamento dell'utensile.
	L'utensile e l'aspirapolvere sono lontani l'uno dall'altro (fuori dalla portata di trasmissione).	Avvicinare l'utensile e l'aspirapolvere tra di loro. La distanza massima di trasmissione è di circa 10 m, ma può variare in base alle circostanze.
	Prima di completare la registrazione o l'annullamento dell'utensile: - l'interruttore dell'utensile è attivato, oppure; - il pulsante di accensione sull'aspirapolvere è attivato.	Premere brevemente il pulsante di attivazione della comunicazione senza fili ed eseguire di nuovo la procedura di registrazione o di annullamento dell'utensile.
	Le procedure di registrazione per l'utensile o per l'aspirapolvere non sono state completate.	Eseguire le procedure di registrazione dell'utensile sia per l'utensile che per l'aspirapolvere allo stesso tempo.
	Sono presenti disturbi radio dovuti ad altri apparecchi che generano onde radio ad alta intensità.	Tenere l'utensile e l'aspirapolvere lontani da apparecchi quali dispositivi Wi-Fi e forni a microonde.
L'aspirapolvere non entra in funzione insieme all'attivazione dell'interruttore dell'utensile.	L'unità senza fili non è installata nell'utensile. L'unità senza fili è installata in modo errato nell'utensile.	Installare l'unità senza fili correttamente.
	Il terminale dell'unità senza fili e/o l'alloggiamento sono sporchi.	Asportare delicatamente polvere e sporco presenti sul terminale dell'unità senza fili e pulire l'alloggiamento.
	Il pulsante di attivazione della comunicazione senza fili sull'utensile non è stato premuto.	Premere brevemente il pulsante di attivazione della comunicazione senza fili e accertarsi che l'indicatore luminoso di attivazione della comunicazione senza fili stia lampeggiando in blu.
	Il commutatore di standby sull'aspirapolvere non è impostato su "AUTO".	Impostare il commutatore di standby sull'aspirapolvere su "AUTO".
	Sull'aspirapolvere sono registrati più di 10 utensili.	Effettuare di nuovo la registrazione dell'utensile. Qualora sull'aspirapolvere siano registrati più di 10 utensili, l'utensile registrato per primo viene annullato automaticamente.
	L'aspirapolvere ha cancellato tutte le registrazioni degli utensili.	Effettuare di nuovo la registrazione dell'utensile.
	Alimentazione assente	Fornire l'alimentazione all'utensile e all'aspirapolvere.
	L'utensile e l'aspirapolvere sono lontani l'uno dall'altro (fuori dalla portata di trasmissione).	Avvicinare l'utensile e l'aspirapolvere tra di loro. La distanza massima di trasmissione è di circa 10 m, ma può variare in base alle circostanze.
	Sono presenti disturbi radio dovuti ad altri apparecchi che generano onde radio ad alta intensità.	Tenere l'utensile e l'aspirapolvere lontani da apparecchi quali dispositivi Wi-Fi e forni a microonde.
L'aspirapolvere è in funzione mentre l'utensile non sta funzionando.	Altri utenti stanno utilizzando l'attivazione della comunicazione senza fili dell'aspirapolvere con i loro utensili.	Disattivare il pulsante di attivazione della comunicazione senza fili degli altri utensili oppure annullare la registrazione degli altri utensili.

## MANUTENZIONE

**⚠ATTENZIONE:** Accertarsi sempre che l'utensile sia spento e che la cartuccia della batteria sia stata rimossa prima di tentare di eseguire interventi di ispezione o manutenzione.

**AVVISO:** Non utilizzare mai benzina, benzene, solventi, alcol o altre sostanze simili. In caso contrario, si potrebbero causare scolorimenti, deformazioni o crepe.

Per preservare la SICUREZZA e l'AFFIDABILITÀ del prodotto, le riparazioni e qualsiasi altro intervento di manutenzione e di regolazione devono essere eseguiti da un centro di assistenza autorizzato Makita, utilizzando sempre ricambi Makita.

### Pulizia delle aperture di scarico trucioli

Pulire le aperture di scarico trucioli a intervalli regolari. Utilizzare aria compressa per pulire le aperture di scarico trucioli intasate.

### Affilatura delle lame

#### *Solo per lame per pialla convenzionali*

Per prestazioni ottimali, mantenere sempre le lame della pialla affilate. Utilizzare il portalama affilatore (accessorio opzionale) per rifinire i bordi delle lame della pialla in modo sicuro ed efficace.

► **Fig.57:** 1. Portalama affilatore 2. Lama

1. Allentare i due dadi ad alette nel portalama affilatore.
2. Far scivolare le estremità posteriori delle lame per pialla fino in fondo negli alloggiamenti di montaggio, con i taglienti da affilare rivolti verso il basso.  
► **Fig.58:** 1. Portalama affilatore 2. Dado ad alette 3. Lama 4. Tagliente 5. Alloggiamenti di montaggio 6. Testa del bullone
3. Serrare i dadi ad alette per fissare in sede le lame per pialla.
4. Mettere a bagno una mola in acqua per 2 o 3 minuti prima di iniziare l'operazione di affilatura.
5. Mantenere saldamente il portalama affilatore, quindi appoggiare delicatamente i taglienti sulla superficie della mola.
6. Affilare i taglienti spostando il portalama affilatore avanti e indietro.  
► **Fig.59**

## ACCESSORI OPZIONALI

**⚠ATTENZIONE:** Questi accessori o componenti aggiuntivi sono consigliati per l'uso con l'utensile Makita specificato nel presente manuale. L'impiego di altri accessori o componenti aggiuntivi può costituire un rischio di lesioni alle persone. Utilizzare gli accessori o i componenti aggiuntivi solo per il loro scopo prefissato.

Qualora sia necessaria assistenza per ottenere ulteriori dettagli relativamente a questi accessori, rivolgersi al proprio centro di assistenza locale Makita.

- Lama per pialla in acciaio ad alta velocità
- Lama per pialla in carburo di tungsteno (per una vita utile più prolungata della lama)
- Minilama per pialla
- Gruppo portalama affilatore
- Gruppo calibro per lame
- Kit piastra di fissaggio
- Gruppo guida laterale
- Pietra ravnivamole
- Gruppo sacchetto polveri
- Gomito
- Gruppo righello per smussatura
- Unità senza fili
- Batteria e caricabatterie originali Makita

**NOTA:** Alcuni articoli nell'elenco potrebbero essere inclusi nell'imballaggio dell'utensile come accessori standard. Tali articoli potrebbero variare da nazione a nazione.

## TECHNISCHE GEGEVENS

Model:	KP001G
Schaafbreedte	82 mm
Schaafdiepte	4 mm
Rabatdiepte	25 mm
Nullasttoerental	15.000 min <sup>-1</sup>
Totale lengte (met BL4040)	385 mm
Nominale spanning	D.C. 36 V - 40 V max
Netto gewicht	3,7 - 4,9 kg

- In verband met ononderbroken research en ontwikkeling, behouden wij ons het recht voor de bovenstaande technische gegevens zonder voorafgaande kennisgeving te wijzigen.
- De technische gegevens van de accu kunnen van land tot land verschillen.
- Het gewicht kan verschillen afhankelijk van de hulpstukken, waaronder de accu. De lichtste en zwaarste combinatie, overeenkomstig de EPA-procedure 01/2014, worden getoond in de tabel.

### Toepasselijke accu's en laders

Accu	BL4020* / BL4025* / BL4040* / BL4050F / BL4080F * : Aanbevolen accu
Lader	DC40RA / DC40RB / DC40RC

- Sommige van de hierboven vermelde accu's en laders zijn mogelijk niet leverbaar afhankelijk van waar u woont.

**⚠ WAARSCHUWING:** Gebruik uitsluitend de accu's en laders die hierboven worden genoemd. Gebruik van enige andere accu of lader kan leiden tot letsel en/of brand.

### Gebruiksdoelinden

Het gereedschap is bedoeld om hout te schaven.

### Geluidsniveau

De typische, A-gewogen geluidsniveaus zijn gemeten volgens EN62841-2-14:

Geluidsdrukniveau ( $L_{pA}$ ): 90 dB (A)

Geluidsvermogeniveau ( $L_{WA}$ ): 98 dB (A)

Onzekerheid (K): 3 dB (A)

**OPMERKING:** De opgegeven geluidsemisiewaarde(n) is/zijn gemeten volgens een standaardtestmethode en kan/kunnen worden gebruikt om dit gereedschap te vergelijken met andere gereedschappen.

**OPMERKING:** De opgegeven geluidsemisiewaarde(n) kan/kunnen ook worden gebruikt voor een beoordeling vooraf van de blootstelling.

**⚠ WAARSCHUWING:** Draag gehoorbescherming.

**⚠ WAARSCHUWING:** De geluidsemisatie tijdens het gebruik van het elektrisch gereedschap in de praktijk kan verschillen van de opgegeven waarde(n) afhankelijk van de manier waarop het gereedschap wordt gebruikt, met name van het soort werkstuk waarmee wordt gewerkt.

**⚠ WAARSCHUWING:** Zorg ervoor dat veiligheidsmaatregelen worden getroffen ter bescherming van de gebruiker die zijn gebaseerd op een schatting van de blootstelling onder praktijkomstandigheden (rekening houdend met alle fasen van de bedrijfscyclus, zoals de tijdsduur gedurende welke het gereedschap is uitgeschakeld en stationair draait, naast de ingeschakelde tijdsduur).

### Trilling

De totale trillingswaarde (triaxiale vectorsom) zoals vastgesteld volgens EN62841-2-14:

Gebruikstoepassing: oppervlak slijpen

Trillingsemisatie ( $a_{h1}$ ): 4,3 m/s<sup>2</sup>

Onzekerheid (K): 1,5 m/s<sup>2</sup>

**OPMERKING:** De totale trillingswaarde(n) is/zijn gemeten volgens een standaardtestmethode en kan/kunnen worden gebruikt om dit gereedschap te vergelijken met andere gereedschappen.

**OPMERKING:** De opgegeven totale trillingswaarde(n) kan/kunnen ook worden gebruikt voor een beoordeling vooraf van de blootstelling.



**⚠️ WAARSCHUWING:** De trillingsemisatie tijdens het gebruik van het elektrisch gereedschap in de praktijk kan verschillen van de opgegeven waarde(n) afhankelijk van de manier waarop het gereedschap wordt gebruikt, met name van het soort werkstuk waarmee wordt gewerkt.

**⚠️ WAARSCHUWING:** Zorg ervoor dat veiligheidsmaatregelen worden getroffen ter bescherming van de gebruiker die zijn gebaseerd op een schatting van de blootstelling onder praktijkomstandigheden (rekening houdend met alle fasen van de bedrijfscyclus, zoals de tijdsduur gedurende welke het gereedschap is uitgeschakeld en stationair draait, naast de ingeschakelde tijdsduur).

## Verklaringen van conformiteit

### Alleen voor Europese landen

De verklaringen van conformiteit zijn bijgevoegd in Bijlage A bij deze gebruiksaanwijzing.

# VEILIGHEIDSWAARSCHUWINGEN

## Algemene veiligheidswaarschuwingen voor elektrisch gereedschap

**⚠️ WAARSCHUWING:** Lees alle veiligheidswaarschuwingen, aanwijzingen, afbeeldingen en technische gegevens behorend bij dit elektrische gereedschap aandachtig door. Als u niet alle onderstaande aanwijzingen naleeft, kan dat resulteren in brand, elektrische schokken en/of ernstig letsel.

## Bewaar alle waarschuwingen en instructies om in de toekomst te kunnen raadplegen.

De term "elektrisch gereedschap" in de veiligheidsvoorschriften duidt op gereedschappen die op stroom van het lichtnet werken (met snoer) of gereedschappen met een accu (snoerloos).

## Veiligheidswaarschuwingen specifiek voor een accuschaaf

1. **Wacht totdat de schaaftmessen stilstaan alvorens het gereedschap neer te leggen.** De blootliggende, ronddraaiende schaaftmessen kunnen de ondergrond raken waardoor u de controle over het gereedschap kunt verliezen en ernstig letsel het gevolg kan zijn.
2. **Gebruik klemmen of andere bevestigingsmiddelen om het werkstuk op een stabiel platform te bevestigen en te ondersteunen.** Als u het werkstuk in uw hand of tegen uw lichaam geklemd houdt, is het onvoldoende stabiel en kunt u de controle erover verliezen.

3. **Poetsdoeken, lappen, snoeren, touwen en dergelijke mogen nooit rondslingeren op de werkplek.**
4. **Voorom dat u spijkers raakt. Inspecteer het werkstuk op spijkers en verwijder deze zo nodig voordat u ermee begint te werken.**
5. **Gebruik uitsluitend scherpe schaaftmessen. Behandel de schaaftmessen voorzichtig.**
6. **Controleer of de bevestigingsbouten van de schaaftmessen stevig vastgedraaid zijn voordat u het gereedschap bedient.**
7. **Houd het gereedschap met beide handen stevig vast.**
8. **Houd uw handen uit de buurt van draaiende delen.**
9. **Laat het gereedschap een tijdje draaien voordat u het op het werkstuk gebruikt. Controleer op trillingen of schommelingen die op onjuiste montage of slecht uitgebalanceerde schaaftmessen kunnen wijzen.**
10. **Zorg dat de schaaftmessen het werkstuk niet raken voordat u de schakelaar inknipt.**
11. **Wacht totdat de schaaftmessen op volle snelheid draaien voordat u begint te schaven.**
12. **Wacht na het uitschakelen altijd totdat de schaaftmessen volledig stilstaan voordat u de schaaftdiepte afstelt.**
13. **Steek nooit uw vinger in de houtsnippers-uitwerpopening. De houtsnippers-uitwerpopening kan verstopt raken bij het schaven van vochtig hout. Verwijder de houtsnippers met een stokje.**
14. **Laat het gereedschap niet onnodig ingeschakeld. Bedien het gereedschap alleen terwijl u het vasthoudt.**
15. **Wanneer u de schaaftmessen of een onderdeel van de cilinder vangt, vervangt u altijd de onderdelen aan beide kanten van de cilinder als een paar. Anders zal de resulterende onbalans tot trillingen leiden en de levensduur van het gereedschap verkorten.**
16. **Gebruik uitsluitend schaaftmessen van Makita die in deze gebruiksaanwijzing worden aangegeven.**
17. **Draag altijd het stofmasker/ademhalingsapparaat dat geschikt is voor het materiaal en de toepassing waarmee u werkt.**
18. **Bedien het gereedschap in een stabiele situatie. Als u het in een instabiele situatie bedient, kan dat leiden tot schade of letsel.**

## BEWAAR DEZE VOORSCHRIFTEN.

**⚠️ WAARSCHUWING:** Laat u NIET misleiden door een vals gevoel van comfort en bekendheid met het gereedschap (na veelvuldig gebruik) en neem alle veiligheidsvoorschriften van het betreffende gereedschap altijd strikt in acht.

**VERKEERD GEBRUIK** of het niet naleven van de veiligheidsvoorschriften in deze gebruiksaanwijzing kan leiden tot ernstige verwondingen.

## Belangrijke veiligheidsinstructies voor een accu

1. Lees alle voorschriften en waarschuwingen op (1) de acculader, (2) de accu, en (3) het product waarvoor de accu wordt gebruikt, alvorens de accu in gebruik te nemen.
2. Haal de accu niet uit elkaar en saboteer hem niet. Dit kan leiden tot brand, buitensporige hitte of een explosie.
3. Als de gebruiktijd van een opgeladen accu aanzienlijk korter is geworden, moet u het gebruik ervan onmiddellijk stopzetten. Voortgezet gebruik kan oververhitting, brandwonden en zelfs een ontploffing veroorzaken.
4. Als elektrolyt in uw ogen is terechtgekomen, spoelt u uw ogen met schoon water en roept u onmiddellijk de hulp van een dokter in. Elektrolyt in de ogen kan blindheid veroorzaken.
5. Voorkom kortsluiting van de accu:
  - (1) Raak de accuklemmen nooit aan met een geleidend materiaal.
  - (2) Bewaar de accu niet in een bak waarin andere metalen voorwerpen zoals spijkers, munten e.d. worden bewaard.
  - (3) Stel de accu niet bloot aan water of regen. Kortsluiting van de accu kan oorzaak zijn van een grote stroomafgifte, oververhitting, brandwonden, en zelfs defecten.
6. Bewaar en gebruik het gereedschap en de accu niet op plaatsen waar de temperatuur kan oplopen tot 50 °C of hoger.
7. Werp de accu nooit in het vuur, ook niet wanneer hij zwaar beschadigd of volledig versleten is. De accu kan ontploffen in het vuur.
8. Laat de accu niet vallen, sla er geen spijker in, snijd er niet in, gooi er niet mee en stoot hem niet tegen een hard voorwerp. Dergelijke handelingen kunnen leiden tot brand, buitensporige hitte of een explosie.
9. Gebruik nooit een beschadigde accu.
10. De bijgeleverde lithium-ionbatterijen zijn onderhevig aan de vereisten in de wetgeving omtrent gevaarlijke stoffen.

Voor commercieel transport en dergelijke door derden en transporteurs moeten speciale vereisten ten aanzien van verpakking en etikettering worden nageleefd. Als voorbereiding van het artikel dat wordt getransporteerd is het noodzakelijk een expert op het gebied van gevaarlijke stoffen te raadplegen. Houd u tevens aan mogelijk strengere nationale regelgeving. Blootliggende contactpunten moeten worden afgedekt met tape en de accu moet zodanig worden verpakt dat deze niet kan bewegen in de verpakking.
11. Wanneer u de accu wilt weggooiden, verwijdert u de accu vanaf het gereedschap en gooit u hem op een veilige manier weg. Volg bij het weggooiden van de accu de plaatselijke voorschriften.
12. Gebruik de accu's uitsluitend met de gereedschappen die door Makita zijn aanbevolen. Als de accu's worden aangebracht in niet-compatibele gereedschappen, kan dat leiden tot brand, buitensporige warmteontwikkeling, een explosie of lekkage van elektrolyt.

13. Als u het gereedschap gedurende een lange tijd niet denkt te gaan gebruiken, moet de accu vanaf het gereedschap worden verwijderd.
14. Tijdens en na gebruik, kan de accu heet worden waardoor brandwonden of koude brandwonden kunnen worden veroorzaakt. Wees voorzichtig bij het hanteren van een hete accu.
15. Raak de aansluitpunten van het gereedschap niet onmiddellijk na gebruik aan omdat deze heet genoeg kunnen zijn om brandwonden te veroorzaken.
16. Zorg ervoor dat geen steenslag, stof of grond vast komt te zitten op/in de aansluitpunten, openingen en groeven van de accu. Hierdoor kan oververhitting, brand, een barst en een storing in het gereedschap of de accu ontstaan waardoor brandwonden of persoonlijk letsel kunnen ontstaan.
17. Behalve indien gebruik van het gereedschap is toegestaan in de buurt van hoogspanningsleidingen, mag u de accu niet gebruiken in de buurt van een hoogspanningsleiding. Dit kan leiden tot een storing of een defect van het gereedschap of de accu.
18. Houd de accu uit de buurt van kinderen.

## BEWAAR DEZE INSTRUCTIES.

**⚠ LET OP:** Gebruik uitsluitend originele Makita accu's. Het gebruik van niet-originele accu's, of accu's die zijn gewijzigd, kan ertoe leiden dat de accu ontploft en brand, persoonlijk letsel en schade veroorzaakt. Ook vervalt daarmee de garantie van Makita op het gereedschap en de lader van Makita.

## Tips voor een maximale levensduur van de accu

1. Laad de accu op voordat hij volledig ontladen is. Stop het gebruik van het gereedschap en laad de accu op telkens wanneer u vaststelt dat het vermogen van het gereedschap is afgenomen.
2. Laad een volledig opgeladen accu nooit opnieuw op. Te lang opladen verkort de levensduur van de accu.
3. Laad de accu op bij een omgevingstemperatuur tussen 10 °C en 40 °C. Laat een warme accu afkoelen alvorens hem op te laden.
4. Als de accu niet wordt gebruikt, verwijderd u hem vanaf het gereedschap of de lader.
5. Laad de accu op als u deze gedurende een lange tijd (meer dan zes maanden) niet gaat gebruiken.

## Belangrijke veiligheidsinstructies voor de draadloos-eenheid

1. Haal de draadloos-eenheid niet uit elkaar en knoei er niet aan.
2. Houd de draadloos-eenheid uit de buurt van kinderen. Indien per ongeluk ingeslikt, raadpleegt u onmiddellijk een arts.
3. Gebruik de draadloos-eenheid uitsluitend met Makita-gereedschap.

4. Stel de draadloos-eenheid niet bloot aan regen of natte omstandigheden.
5. Gebruik de draadloos-eenheid niet op plaatsen waar de temperatuur hoger is dan 50 °C.
6. Bedien de draadloos-eenheid niet op plaatsen in de buurt van medische instrumenten, zoals een pacemaker.
7. Bedien de draadloos-eenheid niet op plaatsen in de buurt van geautomatiseerde apparaten. Bij bediening ervan kan in de geautomatiseerde apparaten een storing of fout optreden.
8. Bedien de draadloos-eenheid niet op plaatsen met een hoge temperatuur of op plaatsen waar statische elektriciteit of elektrische ruis kan worden gegenereerd.
9. De draadloos-eenheid kan elektromagnetische velden genereren, maar deze zijn niet schadelijk voor de gebruiker.
10. De draadloos-eenheid is een nauwkeurig instrument. Wees voorzichtig dat u de draadloos-eenheid niet laat vallen of ergens tegenaan stoot.
11. Raak de aansluitpunten van de draadloos-eenheid niet aan met blote handen of metaalachtige materialen.
12. Verwijder altijd de accu uit het apparaat wanneer u de draadloos-eenheid erin aanbrengt.
13. Open de afdekking van de gleuf niet op plaatsen waar stof of vocht in de gleuf kan binnendringen. Houd de ingang van de gleuf altijd schoon.
14. Breng de draadloos-eenheid altijd in de juiste richting aan.
15. Druk niet te hard op de knop voor draadloos inschakelen op de draadloos-eenheid en/of druk niet op de knop met een scherp voorwerp.
16. Sluit altijd de afdekking van de gleuf tijdens gebruik.
17. Verwijder de draadloos-eenheid niet uit de gleuf terwijl voeding wordt geleverd aan het gereedschap. Als u dit doet, kan een storing optreden in de draadloos-eenheid.
18. Verwijder de sticker op de draadloos-eenheid niet.
19. Plak geen stickers op de draadloos-eenheid.
20. Laat de draadloos-eenheid niet liggen op een plaats waar statische elektriciteit of elektrische ruis kan worden gegenereerd.
21. Laat de draadloos-eenheid niet liggen op een plaats die is blootgesteld aan hoge temperaturen, zoals in een auto die in de zon staat geparkeerd.
22. Laat de draadloos-eenheid niet liggen op een plaats met veel stof of poeder, of op een plaats waar corrosief gas kan worden gegenereerd.
23. Door een plotselinge verandering in temperatuur kan condens op de draadloos-eenheid worden gevormd. Gebruik de draadloos-eenheid niet voordat de condens volledig is verdampt.
24. Veeg de draadloos-eenheid voorzichtig schoon met een droge, zachte doek. Gebruik geen wasbenzine, thinner, geleidend vet en dergelijke.
25. Bewaar de draadloos-eenheid in de bijgeleverde doos of een antistatische container.
26. Breng geen andere apparaten dan een draadloos-eenheid van Makita aan in de gleuf van het gereedschap.
27. Gebruik het gereedschap niet als de afdekking van de gleuf beschadigd is. Water, stof en vuil die in de gleuf binnendringen, kunnen een storing veroorzaken.
28. Trek en draai niet meer dan nodig is aan de afdekking van de gleuf. Plaats de afdekking terug als deze los komt van het gereedschap.
29. Vervang de afdekking van de gleuf als deze verloren of beschadigd is.

## BEWAAR DEZE INSTRUCTIES.

### BESCHRIJVING VAN DE FUNCTIES

**⚠ LET OP:** Zorg altijd dat het gereedschap is uitgeschakeld en de accu ervan is verwijderd alvorens de functies op het gereedschap af te stellen of te controleren.

### De accu aanbrengen en verwijderen

**⚠ LET OP:** Schakel het gereedschap altijd uit voordat u de accu aanbrengt of verwijderd.

**⚠ LET OP:** Houd het gereedschap en de accu stevig vast tijdens het aanbrengen of verwijderen van de accu. Als u het gereedschap en de accu niet stevig vasthoudt, kunnen deze uit uw handen glijpen en het gereedschap of de accu beschadigen, of kan persoonlijk letsel worden veroorzaakt.

► Fig.1: 1. Rood deel 2. Knop 3. Accu

Om de accu te verwijderen verschuift u de knop aan de voorkant van de accu en schuift u tegelijkertijd de accu uit het gereedschap.

Om de accu aan te brengen lijnt u de lip op de accu uit met de groef in de behuizing en duwt u de accu op zijn plaats. Steek de accu zo ver mogelijk in het gereedschap tot u een klinkgeluid hoort. Wanneer het rode deel zichtbaar is, zoals aangegeven in de afbeelding, is de accu niet geheel vergrendeld.

**⚠ LET OP:** Breng de accu altijd helemaal aan totdat het rode deel niet meer zichtbaar is. Als u dit niet doet, kan de accu per ongeluk uit het gereedschap vallen en u of anderen in uw omgeving verwonden.

**⚠ LET OP:** Breng de accu niet met kracht aan. Als de accu niet gemakkelijk in het gereedschap kan worden geschoven, wordt deze niet goed aangebracht.

## Gereedschap-/accubeveiligingssysteem

Het gereedschap is voorzien van een gereedschap-/accubeveiligingssysteem. Dit systeem schakelt automatisch de voeding naar de motor uit om de levensduur van het gereedschap en de accu te verlengen. Het gereedschap kan tijdens het gebruik automatisch stoppen als het gereedschap of de accu aan één van de volgende omstandigheden wordt blootgesteld:

### Overbelastingsbeveiliging

Als het gereedschap/de accu wordt bediend op een manier waardoor een abnormaal hoge stroom wordt getrokken, stopt het gereedschap automatisch. Schakel in die situatie het gereedschap uit en stop het gebruik dat ertoe leidde dat het gereedschap overbelast raakte. Schakel vervolgens het gereedschap in om het weer te starten.

### Oververhittingsbeveiliging

Wanneer het gereedschap/de accu oververhit is, stopt het gereedschap automatisch. Laat in deze situatie het gereedschap/de accu afkoelen voordat u het gereedschap weer inschakelt.

### Beveiliging tegen te ver ontladen

Als de acculading onvoldoende is, stopt het gereedschap automatisch. In dit het geval verwijdt u de accu vanaf het gereedschap en laadt u de accu op.

### Beveiliging tegen andere oorzaken

Het beveiligingssysteem is ook ontworpen voor andere oorzaken die het gereedschap kunnen beschadigen, en zorgt ervoor dat het gereedschap automatisch stopt. Voer alle volgende stappen uit om de oorzaken op te heffen, wanneer het gereedschap tijdelijk is onderbroken of tijdens het gebruik is gestopt.

1. Schakel het gereedschap uit en schakel het daarna weer in om het opnieuw te starten.
2. Laad de accu('s) op of vervang hem/ze door (een) opgeladen accu('s).
3. Laat het gereedschap en de accu('s) afkoelen.

Als geen verbetering optreedt nadat het beveiligingssysteem is gereset, neemt u contact op met uw lokale Makita-servicecentrum.

## De resterende acculading controleren

Druk op de testknop op de accu om de resterende acculading te zien. De indicatorlampjes branden gedurende enkele seconden.

► **Fig.2:** 1. Indicatorlampjes 2. Testknop

Indicatorlampjes			Resterende acculading
Brandt	Uit	Knippert	
■	□	▧	75% tot 100%
■	■	■	50% tot 75%
■	■	□	25% tot 50%
■	□	□	0% tot 25%
▧	□	□	Laad de accu op.
■	■	□	Er kan een storing zijn opgetreden in de accu.
□	□	■	

**OPMERKING:** Afhankelijk van de gebruiksomstandigheden en de omgevingstemperatuur, is het mogelijk dat de aangegeven acculading verschilt van de werkelijke acculading.

**OPMERKING:** Het eerste (meest linker) indicatorlampje knippert wanneer het accubeveiligingssysteem in werking is getreden.

## De schaafdiepte instellen

**⚠ LET OP:** Wacht na het uitschakelen altijd totdat de schaafmesses volledig stilstaan voordat u de schaafdiepte afstelt.

**OPMERKING:** Als u de diepte-instelknop draait, verzekert u zich ervan dat u de handgreep stevig vasthoudt met uw andere hand.

De schaafdiepte kan worden ingesteld door de diepte-instelknop op de voorkant van het gereedschap te draaien. Draai de knop zodat de aanwijspunt is uitgelijnd met de gewenste schaafdiepte op de schaalverdeling.

► **Fig.3:** 1. Diepte-instelknop 2. Aanwijspunt 3. Diepteschaalverdeling

## Werking van de schakelaar

**⚠ WAARSCHUWING:** Alvorens de accu in het gereedschap te plaatsen, moet u altijd controleren of de trekverschakelaar goed werkt en bij het loslaten terugkeert naar de stand "OFF".

**⚠ WAARSCHUWING:** U mag NOOIT de uit-vergrendelknop buiten werking stellen door hem met tape vast te zetten of iets dergelijks. Een schakelaar met een buiten werking gestelde uit-vergrendelknop, kan leiden tot onbedoeld inschakelen en ernstig persoonlijk letsel.

**⚠ WAARSCHUWING:** Gebruik het gereedschap NOOIT als het start door alleen maar de trekverschakelaar in te knijpen zonder de uit-vergrendelknop in te drukken. Een schakelaar die moet worden gerepareerd, kan leiden tot onbedoeld inschakelen en ernstig persoonlijk letsel. Stuur het gereedschap op naar een Makita-servicecentrum voor reparatie ZONDER het verder te gebruiken.

**KENNISGEVING:** Druk de trekverschakelaar niet hard in zonder dat de uit-vergrendelknop is ingedrukt. Hierdoor kan de schakelaar kapot gaan.

Om te voorkomen dat de trekverschakelaar per ongeluk wordt ingeknepen, is de uit-vergrendelknop aangebracht. Om het gereedschap te starten, houdt u de uit-vergrendelknop ingedrukt en knijpt u vervolgens de trekverschakelaar in. Laat de trekverschakelaar los om het gereedschap te stoppen.

► Fig.4: 1. Trekverschakelaar 2. Uit-vergrendelknop

## Voet

De voet veert uit de achterzool wanneer u het gereedschap van het werkstuk tilt om te voorkomen dat de schaafmesses rechtstreeks het werkstuk raken. Dit voorkomt dat de schaafmesses per ongeluk worden beschadigd wanneer ze niet in gebruik zijn.

De voet veert terug in de achterzool wanneer u de zool van het gereedschap over het oppervlak van het werkstuk schuift.

► Fig.5: 1. Schaafmes 2. Achterzool 3. Voet  
4. Oppervlak van het werkstuk

## Beveiliging tegen onopzettelijk herstarten

Wanneer u de accu aanbrengt terwijl de trekverschakelaar ingeknepen wordt gehouden, start het gereedschap niet. Om het gereedschap te kunnen starten, laat u eerst de trekverschakelaar los, houdt u daarna de uit-vergrendelknop ingedrukt en knijpt u vervolgens de trekverschakelaar weer in.

## Elektronische functie

Het gereedschap is uitgerust met de volgende elektronische aansturingen voor een gemakkelijke bediening.

## Elektrische rem

Het gereedschap is voorzien van een elektrische rem. Als het gereedschap continu niet snel stilstaat nadat de trekverschakelaar is losgelaten, laat u het gereedschap onderhouden door uw plaatselijke Makita-servicecentrum.

## Zachte-startfunctie

De functie zachte-start minimaliseert de startschok en laat het gereedschap geleidelijk starten.

## MONTAGE

**⚠ LET OP:** Zorg altijd dat het gereedschap is uitgeschakeld en de accu ervan is verwijderd alvorens enig werk aan het gereedschap uit te voeren.

## Opbergplaats voor de pijpsleutel

Wanneer de pijpsleutel niet wordt gebruikt, bergt u hem op zoals aangegeven in de afbeelding zodat u hem niet verliest.

► Fig.6: 1. Pijpsleutel

## De schaafmesses aanbrengen en verwijderen

**⚠ LET OP:** Draai de bevestigingsbouten van het schaafmes zorgvuldig vast wanneer u de schaafmesses in het gereedschap bevestigt. Controleer altijd of ze stevig vastgedraaid zijn. Een losse bevestigingsbout kan gevaarlijk zijn.

**⚠ LET OP:** Behandel de schaafmesses erg voorzichtig. Gebruik handschoenen of doeken om uw vingers en handen te beschermen tijdens het aanbrengen en verwijderen van de schaafmesses.

**⚠ LET OP:** Gebruik uitsluitend de bijgeleverde Makita-sleutel bij het aanbrengen en verwijderen van de schaafmesses. Als u dit nalaat, loopt u het risico dat de bevestigingsbouten te vast of onvolgende vast aangedraaid worden. Hierdoor kan letsel worden veroorzaakt.

**KENNISGEVING:** Om de schaafmesses aan te brengen, verwijdert u eerst alle houtsnippers en vreemde stoffen die aan de cilinder en de schaafmesses kleven. Gebruik schaafmesses van dezelfde afmetingen en hetzelfde gewicht omdat als u dit niet doet slingeren en trillingen kunnen optreden, waardoor een slecht schaafresultaat ontstaat en het gereedschap kapot zal gaan.

## Voor een gereedschap met conventionele schaafmessen

**OPMERKING:** Een paar schaafmessen is gemonteerd in de cilinder. Herhaal de volgende procedure voor elk schaafmes.

### Conventionele schaafmessen verwijderen

1. Draai de bevestigingsbouten los en haal ze uit de cilinder met behulp van de bijgeleverde pijpsleutel.
2. Haal de cilinderplaat en het conventionele schaafmes (met afstelplaat) uit de cilinder.  
► **Fig.7:** 1. Bevestigingsbout 2. Cilinderplaat 3. Conventioneel schaafmes (met afstelplaat) 4. Cilinder
3. Draai de schroeven van het conventioneel schaafmes los en verwijder vervolgens de afstelplaat.  
► **Fig.8:** 1. Schroeven 2. Conventioneel schaafmes 3. Afstelplaat

### Conventionele schaafmessen aanbrengen

1. Plaats een conventioneel schaafmes op de mesmeter en lijn daarbij zijn snijrand horizontaal uit langs de geleiderand van de mesmeter.  
► **Fig.9:** 1. Conventioneel schaafmes 2. Mesmeter 3. Snijrand 4. Geleiderand
2. Plaats de afstelplaat op het conventionele schaafmes en draai vervolgens de schroeven iets vast.
3. Duw de afstelplaat naar voren totdat de pasrand ervan strak en volledig tegen de achterkant van de mesmeter valt.
4. Houd de afstelplaat vervolgens op zijn plaats en draai de schroeven vast om het op zijn plaats te bevestigen.  
► **Fig.10:** 1. Afstelplaat 2. Conventioneel schaafmes 3. Schroef 4. Pasrand 5. Achterkant 6. Mesmeter
5. Verwijder eerst alle houtsnippers en vreemde stoffen die aan de cilinder en het conventionele schaafmes kleven.
6. Schuif de pasrand van de afstelplaat in de geleidegroeve van de cilinder en plaats daarna de cilinderplaat op het conventionele schaafmes (met afstelplaat).
7. Draai de bevestigingsbouten kruislings gelijkmatig vast met behulp van de pijpsleutel.  
► **Fig.11:** 1. Pasrand 2. Afstelplaat 3. Geleidegroeve 4. Cilinder 5. Cilinderplaat 6. Conventioneel schaafmes 7. Bevestigingsbout

## Voor een gereedschap met minischaafmessen

**OPMERKING:** Een paar schaafmessen is gemonteerd in de cilinder. Herhaal de volgende procedure voor elk schaafmes.

### Minischaafmessen verwijderen

1. Draai de bevestigingsbouten één slag los met behulp van de bijgeleverde pijpsleutel.  
► **Fig.12:** 1. Bevestigingsbout 2. Pijpsleutel
2. Schuif het minischaafmes uit de cilinder door één uiteinde van het mes naar buiten te duwen vanaf de kant van de riemafdekking.  
► **Fig.13:** 1. Minischaafmes 2. Cilinder 3. Riemaafdekking 4. T-greep van de pijpsleutel

**OPMERKING:** Voor een veilige werkwijze en onderhoud, gebruikt u de uiteinden van de T-greep van de pijpsleutel om het minischaafmes eruit te schuiven.

### Minischaafmessen aanbrengen

1. Verwijder eerst alle houtsnippers en vreemde stoffen die aan de cilinder en het minischaafmes kleven.
2. Schuif het minischaafmes erin tussen de cilinder en de aanzetplaat door één uiteinde van het mes erin te schuiven vanaf de tegenovergestelde kant van de riemafdekking.
3. Draai de bevestigingsbouten kruislings gelijkmatig vast met behulp van de pijpsleutel.  
► **Fig.14:** 1. Minischaafmes 2. Cilinder 3. Aanzetplaat 4. Riemaafdekking 5. Bevestigingsbout 6. Pijpsleutel

### Het minischaafmes kalibreren

Voer regelmatig een kalibratie van de schaafmessen uit om zo efficiënt mogelijk te werken.

1. Draai de bevestigingsbouten één slag los met behulp van de bijgeleverde pijpsleutel.
2. Schuif het minischaafmes uit de cilinder door één uiteinde van het mes naar buiten te duwen vanaf de kant van de riemafdekking.
3. Draai de bevestigingsbouten los en haal ze uit de cilinder met behulp van de pijpsleutel.
4. Haal de cilinderplaat en de aanzetplaat (met afstelplaat) uit de cilinder.  
► **Fig.15:** 1. Bevestigingsbout 2. Cilinderplaat 3. Aanzetplaat (met afstelplaat) 4. Cilinder
5. Draai de schroeven van de aanzetplaat één slag los om de afstelplaat los te maken.  
► **Fig.16:** 1. Schroeven 2. Aanzetplaat 3. Afstelplaat
6. Verwijder alle houtsnippers en vreemde stoffen die aan de aanzetplaat (met afstelplaat) en het minischaafmes kleven.
7. Plaats het minischaafmes op de mesmeter en lijn daarbij zijn snijrand horizontaal uit langs de geleiderand van de mesmeter.
8. Plaats de aanzetplaat (met afstelplaat) op het minischaafmes en lijn daarbij de geleidenokken van de aanzetplaat uit met de geleidegroeven in het minischaafmes.  
► **Fig.17:** 1. Minischaafmes 2. Mesmeter 3. Snijrand 4. Geleiderand 5. Aanzetplaat (met afstelplaat) 6. Geleidenok 7. Geleidegroeve
9. Duw de afstelplaat naar voren totdat de pasrand ervan strak en volledig tegen de achterkant van de mesmeter valt.



10. Houd de afstelplaat vervolgens op zijn plaats en draai de schroeven vast om het op zijn plaats te bevestigen.

► **Fig.18:** 1. Afstelplaat 2. Aanzetplaat 3. Schroef  
4. Pasrand 5. Achterkant 6. Mesmeter

11. Ray Schuif de pasrand van de afstelplaat in de geleidegroef van de cilinder en plaats daarna de cilinderplaat op de aanzetplaat (met afstelplaat).

► **Fig.19:** 1. Pasrand 2. Afstelplaat 3. Geleidegroef  
4. Cilinder 5. Cilinderplaat 6. Aanzetplaat  
7. Bevestigingsbout

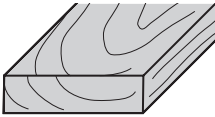
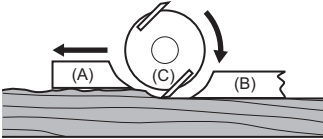
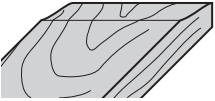
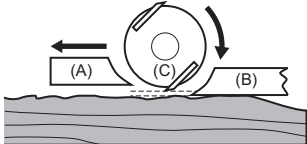
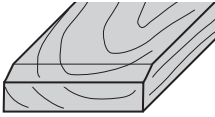
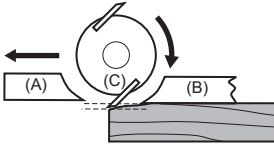
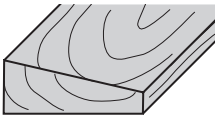
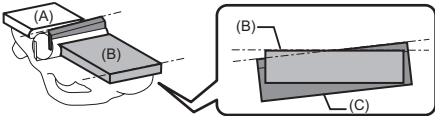
12. Draai de bevestigingsbouten iets vast en schuif het minischaafmes erin tussen de cilinder en de aanzetplaat door één uiteinde van het mes erin te schuiven vanaf de tegenovergestelde kant van de riemafdekking.

13. Draai de bevestigingsbouten kruislings gelijkmatig vast met behulp van de pijpsleutel.

► **Fig.20:** 1. Minischaafmes 2. Cilinder 3. Aanzetplaat  
4. Riemafdekking 5. Bevestigingsbout  
6. Pijpsleutel

## Het schaafmes afstellen

Uw schaafwerk zal ruw en ongelijkmatig worden als de schaafmesses niet goed en stevig zijn aangebracht. Breng de schaafmesses correct aan zodat de snijranden haaks staan op en op exact dezelfde hoogte staan als de achterzool. Kijk naar de voorbeelden in de onderstaande tabel voor de correcte afstelling.

Schaafoppervlak	Afstelling van schaafmesses	Oorzaak
		De snijranden staan op exact dezelfde hoogte als de achterzool en lopen zij aan zij parallel aan de zool van de schaaaf.
		De snijranden staan hoger dan de achterzool.
		De snijranden staan lager dan de achterzool.
		De snijranden lopen zij aan zij niet parallel aan de zool van de schaaaf.
(A): Voorzool (verstelbaar) (B): Achterzool (vast) (C): Schaafmes		

## De geleideplaat aanbrengen

1. Leg het gereedschap neer met de riemafdekking omhoog gericht.

2. Bevestig de geleideplaat op zijn plaats door hem vast te zetten met behulp van de vingerschroef in het bevestigingsgat op de zijkant van de gereedschapkop.

► **Fig.21:** 1. Riemafdekking 2. Geleideplaat  
3. Vingerschroef 4. Bevestigingsgat

3. Schuif de randgeleider in en uit overeenkomstig de gewenste schaafbreedte en draai daarna de vingerschroef vast om hem in de gewenste stand vast te zetten.

► **Fig.22:** 1. Randgeleider 2. Vingerschroef

## De dieptegeleider aanbrengen

1. Leg het gereedschap neer met de riemafdekking omlaag gericht.

2. Bevestig de dieptegeleider op zijn plaats door hem vast te zetten met behulp van de ring en vingerschroef in het bevestigingsgat op de zijkant van de gereedschapkop.

► **Fig.23:** 1. Riemafdekking 2. Dieptegeleider 3. Ring  
4. Vingerschroef 5. Bevestigingsgat

3. Schuif de dieptegeleider omhoog en omlaag overeenkomstig de gewenste schaafdiepte en draai daarna de vingerschroef vast om hem in de gewenste stand vast te zetten.

► **Fig.24:** 1. Dieptegeleider 2. Vingerschroef

## De afschuingeleider aanbrengen

### Optioneel accessoire

1. Leg het gereedschap neer met de voorzool omhoog gericht.
2. Bevestig de randgeleiders aan de bevestigingsarmen door de uitsteeksels op de armen in de geleidesleuven van de randgeleiders te laten vallen, en zet ze vast met de ringen en vingerschroeven.

3. Bevestig de afschuingeleiders (samenstel van randgeleider en bevestigingsarm) op hun plaats door ze vast te zetten met behulp van de vingerschroeven in de bevestigingsgaten aan beide zijanten van de gereedschapskop.

- **Fig.25:** 1. Voorzool 2. Randgeleider  
3. Bevestigingsarm 4. Uitsteeksel  
5. Geleidesleuf 6. Ring 7. Vingerschroef  
8. Bevestigingsgat

4. Schuif de randgeleiders in en uit overeenkomstig het gewenste afschuimbereik en draai daarna de vingerschroef vast om ze in de gewenste stand vast te zetten.

► **Fig.26:** 1. Randgeleider 2. Vingerschroef

## Stof en schaafsel afvoeren

Stof en schaafsel kan worden afgevoerd via de uitwerpopeningen aan de linker- en rechterkant. Dop de uitwerpopening aan de tegenovergestelde kant van waar u het stof en schaafsel wilt afvoeren af met behulp van de dop.

Om de dop los te maken van de uitwerpopening, draait u de dop in de richting van de handgreep om de vergrendeling te ontgrendelen en trek de dop er vervolgens af.

► **Fig.27:** 1. Dop 2. Handgreep

Om de dop aan te brengen, steekt u de dop recht in een uitwerpopening, waarbij u de vergrendelsleuf in de dop uitlijnt met het uitsteeksel op de uitwerpopening tot de dop op zijn plaats wordt vergrendeld.

► **Fig.28:** 1. Dop 2. Vergrendelsleuf 3. Uitsteeksel

## Stofzak

### Optioneel accessoire

Bevestig de stofzak op een van de uitwerpopeningen en duw deze er stevig en zo ver mogelijk op. Verzekert u ervan dat de stofzak stevig is aangebracht over de tapse uitwerpopening zodat deze niet tijdens gebruik eraf komt.

► **Fig.29:** 1. Stofzak 2. Uitwerpopening

Wanneer de stofzak ongeveer halfvol is, maakt u hem los van het gereedschap en trekt u de sluitstrip eraf. Leeg de stofzak. Tik zacht tegen de stofzak om ook de deeltjes te verwijderen die tegen de binnenkant kleven en verdere stofopvang kunnen hinderen.

► **Fig.30:** 1. Sluitstrip

**OPMERKING:** Als u een Makita-stofzuiger aansluit op dit gereedschap, kunt u nog efficiënter en schoner werken.

## Een stofzuiger aansluiten

Wanneer u tijdens het schaven schoon wilt werken, sluit u een Makita-stofzuiger aan op uw gereedschap. Sluit de stofzuigerslang aan op een van de uitwerpopeningen, zoals aangegeven in de afbeeldingen.

► **Fig.31:** 1. Stofzuiger

## Kniestuk

### Optioneel accessoire

Gebruik een kniestuk op de uitwerpopening om de luchtstroom in de gewenste richting te sturen voor een schonere werkomgeving. Bevestig het kniestuk op een van de uitwerpopeningen en duw deze er stevig en zo ver mogelijk op.

► **Fig.32:** 1. Kniestuk

## BEDIENING

**⚠ LET OP:** Houd het gereedschap stevig vast met één hand aan de schakelaarhandgreep en de andere hand aan de diepte-instelknop tijdens het gebruik van het gereedschap.

## Gebruik als schaaft

1. Houd het gereedschap stevig vast met beide handen: één hand aan de schakelaarhandgreep en de andere hand aan de diepte-instelknop.

2. Plaats de voorzool van het gereedschap plat op het oppervlak van het werkstuk zonder dat de schaaftmessen het werkstuk raken.

3. Schakel het gereedschap in en wacht totdat het op volle snelheid werkt.

4. Beweeg het gereedschap voorzichtig naar voren en oefen aan het begin iets meer druk uit op de diepte-instelknop zodat de hele zool van de elektrische schaaft vlak en parallel blijft aan het oppervlak van het werkstuk.

► **Fig.33**

5. Let erop dat u in het middelste deel van de werkgang gelijkmatig druk uitoefent op het oppervlak van het werkstuk, en duw het gereedschap rustig vooruit.

► **Fig.34**

**OPMERKING:** Oefen evenveel druk uit met uw hand op de schakelaarhandgreep als op de diepte-instelknop zodat zowel de voorzool als de achterzool het oppervlak van het werkstuk raakt.

6. Oefen aan het einde van de werkgang meer druk uit op de schakelaarhandgreep om te voorkomen dat diep wordt geschaafd wanneer de voorzool al van het oppervlak van het werkstuk af is.

► **Fig.35**



**OPMERKING:** Het schaven werkt gemakkelijker wanneer u het werkstuk iets voorover kantelt zodat u tijdens gebruik minder druk hoeft uit te oefenen om het gereedschap vast te houden.

**OPMERKING:** Stel de schaafsnelheid en -diepte in op het gewenste afwerkniveau van het oppervlak.

Voor een ruwe afwerking, stelt u de schaaftdiepte voldoende diep in op het werkstuk.

Voor een mooie en fijne afwerking, duwt u het gereedschap langzaam vooruit met een geringe schaaftdiepte gedurende meerdere werkgangen.

## Rabatten

### ► Fig.36

Gebruik de geleideplaat om een haakse verdieping aan te brengen, zoals aangegeven in de afbeelding.

1. Breng de geleideplaat en de dieptegeleider aan op het gereedschap en zet ze vast met behulp van de ringen en vingerschroeven.

2. Stel de dieptegeleider af op de rabatdiepte en zet hem op zijn plaats vast met behulp van de vingerschroef.

3. Teken een schaaflijn op het werkstuk en lijn de rand van het schaaftmes uit met de schaaflijn.

► **Fig.37:** 1. Rand van het schaaftmes 2. Schaaflijn 3. Dieptegeleider 4. Vingerschroef

**OPMERKING:** Verzeker u ervan dat bij het rabatten de rand van het schaaftmes 1,6 mm - 1,8 mm buiten de zijkant van de cilinder uitsteekt. (Zie "A" in de volgende afbeelding.)

\* U kunt er ook voor kiezen om de rand van het schaaftmes 0,2 mm - 0,4 mm buiten de zijkant van de voorzool te laten uitsteken. (Zie "B" in de volgende afbeelding.)

► **Fig.38:** 1. Rand van het schaaftmes 2. Zijkant van de cilinder 3. Zijkant van de voorzool

4. Schuif de randgeleider naar binnen in de geleideplaat totdat deze tegen de zijkant van het werkstuk komt. Zet hem daarna op zijn plaats vast met behulp van de vingerschroef.

► **Fig.39:** 1. Geleideplaat 2. Randgeleider 3. Zijkant van het werkstuk 4. Vingerschroef

5. Voer het schaven uit door het gereedschap te bewegen waarbij de hele randgeleider langs de zijkant van het werkstuk schuift.

**OPMERKING:** De reikwijdte van de randgeleider kan worden vergroot door een extra stuk hout te bevestigen aan de bevestigingsgaten in de geleider.

► **Fig.40:** 1. Extra stuk hout 2. Bevestigingsgaten

## Afschuinen

### ► Fig.41

Gebruik de "V"-groeven aangebracht in de voorzool om randen af te schuinen, zoals aangegeven in de afbeelding.

Voer het schaven uit door het gereedschap te bewegen waarbij een van de drie "V"-groeven in de voorzool is uitgelijnd met de hoekrand van het werkstuk.

► **Fig.42:** 1. V-groef (gemiddelde mate van afschuining) 2. V-groef (geringe mate van afschuining) 3. V-groef (hoge mate van afschuining)

## De afschuingeleider gebruiken

### Optioneel accessoire

1. Schuif de randgeleiders naar binnen in de afschuingeleiders totdat ze tegen de zijden van de hoek van het werkstuk komen.

2. Zet de randgeleiders op hun plaats vast met behulp van de vingerschroeven.

3. Voer het schaven uit door het gereedschap te bewegen waarbij de hele randgeleiders langs de zijden van de hoek van het werkstuk schuiven.

► **Fig.43:** 1. Afschuininiaal 2. Randgeleiders 3. Vingerschroef

**OPMERKING:** Om veel af te schuinen, voert u meerdere werkgangen uit, beginnend bij weinig afschuinen oplopend naar veel afschuinen, zoals aangegeven in de afbeelding.

► **Fig.44:** 1. Steunkant van de afschuininiaal 2. Weinig afschuinen 3. Veel afschuinen

## FUNCTIE VOOR DRAADLOOS INSCHAKELN

### Mogelijkheden van de functie voor draadloos inschakelen

Met de functie voor draadloos inschakelen kunt u schoon en comfortabel werken. Door een ondersteunde stofzuiger aan te sluiten op het gereedschap, kunt u de stofzuiger automatisch laten in- en uitschakelen bij bediening van de schakelaar van het gereedschap.

### ► Fig.45

Om de functie voor draadloos inschakelen te gebruiken, dient u de volgende zaken voor te bereiden:

- Een draadloos-eenheid (optioneel accessoire)
- Een stofzuiger die de functie voor draadloos inschakelen ondersteunt

In het kort bestaat het instellen van de functie voor draadloos inschakelen uit de volgende punten.

Raadpleeg elke paragraaf voor informatie over de procedure.

1. De draadloos-eenheid aanbrengen
2. Registratie van het gereedschap op de stofzuiger
3. De functie voor draadloos inschakelen starten

## De draadloos-eenheid aanbrengen

### Optioneel accessoire

**⚠ LET OP:** Plaats het gereedschap op een vlakke en stabiele ondergrond wanneer u de draadloos-eenheid aanbrengt.

**KENNISGEVING:** Verwijder het stof en vuil vanaf het gereedschap voordat u de draadloos-eenheid aanbrengt. Stof en vuil kunnen een storing veroorzaken wanneer ze binnendringen in de gleuf voor de draadloos-eenheid.

**KENNISGEVING:** Om een storing als gevolg van statische elektriciteit te voorkomen, raakt u een materiaal aan dat statische elektriciteit ontleedt, zoals een metalen onderdeel van het gereedschap, voordat u de draadloos-eenheid oppakt.

**KENNISGEVING:** Let er bij het aanbrengen van de draadloos-eenheid altijd op dat de draadloos-eenheid in de correcte richting wordt aangebracht en dat de afdekking volledig wordt gesloten.

1. Open de afdekking op het gereedschap, zoals aangegeven in de afbeelding.

► Fig.46: 1. Afdekking

2. Breng de draadloos-eenheid aan in de gleuf en sluit vervolgens de afdekking.

Wanneer u de draadloos-eenheid aanbrengt, lijnt u de uitsteeksels uit met de uitsparingen in de gleuf.

► Fig.47: 1. Draadloos-eenheid 2. Uitsteeksel 3. Afdekking 4. Uitsparing

Wanneer u de draadloos-eenheid verwijdert, opent u langzaam de afdekking. De haken op de achterkant van de afdekking, tillen de draadloos-eenheid op terwijl u de afdekking omhoog trekt.

► Fig.48: 1. Draadloos-eenheid 2. Haak 3. Afdekking

Nadat de draadloos-eenheid is verwijderd, bewaart u hem in de bijgeleverde doos of een antistatische container.

**KENNISGEVING:** Gebruik altijd de haken op de achterkant van de afdekking wanneer u de draadloos-eenheid verwijdert. Als de haken niet aangrijpen op de draadloos-eenheid, sluit u de afdekking volledig en opent u hem weer langzaam.

## Registratie van het gereedschap op de stofzuiger

**OPMERKING:** Een stofzuiger van Makita die de functie voor draadloos inschakelen ondersteunt, is vereist voor registratie van het gereedschap.

**OPMERKING:** Voltooi het aanbrengen van de draadloos-eenheid in het gereedschap voordat u de registratie van het gereedschap start.

**OPMERKING:** Gedurende de registratie van het gereedschap mag u de trekkerschakelaar van het gereedschap niet inknippen en de aan-uitknop van de stofzuiger niet bedienen.

**OPMERKING:** Raadpleeg tevens de gebruiksaanwijzing van de stofzuiger.

Als u wilt dat de stofzuiger wordt ingeschakeld tegelijk met de bediening van de schakelaar van het gereedschap, moet u van tevoren de registratie van het gereedschap voltooien.

1. Breng de accu's aan in de stofzuiger en het gereedschap.

2. Zet de standbyschakelaar op de stofzuiger op "AUTO".

► Fig.49: 1. Standbyschakelaar

3. Houd de knop voor draadloos inschakelen op de stofzuiger gedurende 3 seconden ingedrukt totdat de lamp van draadloos inschakelen groen knippert. En houd daarna op dezelfde manier de knop voor draadloos inschakelen op het gereedschap ingedrukt.

► Fig.50: 1. Knop voor draadloos inschakelen  
2. Lamp van draadloos inschakelen

Nadat de stofzuiger en het gereedschap met succes aan elkaar zijn gekoppeld, zullen de lampen van draadloos inschakelen gedurende 2 seconden groen branden, waarna ze blauw gaan knipperen.

**OPMERKING:** De lampen van draadloos inschakelen stoppen na 20 seconden met groen knipperen. Druk op de knop voor draadloos inschakelen op het gereedschap terwijl de lamp van draadloos inschakelen op de stofzuiger knippert. Als de lamp van draadloos inschakelen niet groen knippert, drukt u kort op de knop voor draadloos inschakelen en houdt u deze weer ingedrukt.

**OPMERKING:** Als u twee of meer gereedschappen registreert op één stofzuiger, voltooit u de registratie van de gereedschappen één voor één.

## De functie voor draadloos inschakelen starten

**OPMERKING:** Voltooi de registratie van het gereedschap op de stofzuiger voordat u de functie draadloos inschakelen gebruikt.

**OPMERKING:** Raadpleeg tevens de gebruiksaanwijzing van de stofzuiger.

Nadat een gereedschap in de stofzuiger is geregistreerd, wordt de stofzuiger automatisch in- en uitgeschakeld door de bediening van de schakelaar van het gereedschap.

1. Breng de draadloos-eenheid aan in het gereedschap.

2. Sluit de slang van de stofzuiger aan op het gereedschap.

► Fig.51

3. Zet de standbyschakelaar op de stofzuiger op "AUTO".

► Fig.52: 1. Standbyschakelaar

4. Druk kort op de knop voor draadloos inschakelen op het gereedschap. De lamp van draadloos inschakelen knippert blauw.

► Fig.53: 1. Knop voor draadloos inschakelen  
2. Lamp van draadloos inschakelen

5. Schakel het gereedschap in. Controleer of de stofzuiger is ingeschakeld terwijl het gereedschap in gebruik is.

Om het draadloos inschakelen van de stofzuiger te stoppen, drukt u op de knop voor draadloos inschakelen op het gereedschap.

**OPMERKING:** De lamp van draadloos inschakelen op het gereedschap stopt met blauw knipperen wanneer gedurende 2 uur geen bediening plaatsvindt. In dat geval zet u de standby-schakelaar van de stofzuiger op "AUTO" en drukt u nogmaals op de knop voor draadloos inschakelen op het gereedschap.

**OPMERKING:** De stofzuiger wordt met een vertraging in- en uitgeschakeld. Er treedt een tijdsvertraging op wanneer de stofzuiger de bediening van de schakelaar van het gereedschap detecteert.








**OPMERKING:** Het zendbereik van de draadloos-eenheid kan variëren afhankelijk van de locatie en omgevingsomstandigheden.

**OPMERKING:** Als twee of meer gereedschappen zijn geregistreerd in één stofzuiger, kan de stofzuiger worden ingeschakeld ondanks dat u uw gereedschap niet inschakelt omdat een andere gebruiker de functie voor draadloos inschakelen gebruikt.

## Beschrijving van de status van de lamp van draadloos inschakelen

► Fig.54: 1. Lamp van draadloos inschakelen

De lamp van draadloos inschakelen toont de status van de functie voor draadloos inschakelen. Raadpleeg de onderstaande tabel voor de betekenis van de status van de lamp.

Status	Lamp van draadloos inschakelen			Beschrijving	
	Kleur	 Brandt	 Knippert		Duur
Standby	Blauw			2 uur	Het draadloos inschakelen van de stofzuiger is beschikbaar. De lamp wordt automatisch uitgeschakeld wanneer gedurende 2 uur geen bediening plaatsvindt.
				Bij ingeschakeld gereedschap.	Het draadloos inschakelen van de stofzuiger is beschikbaar en het gereedschap is ingeschakeld.
Registratie van het gereedschap	Groen			20 seconden	Klaar voor registratie van het gereedschap. Wachten op registratie door de stofzuiger.
				2 seconden	De registratie van het gereedschap is voltooid. De lamp van draadloos inschakelen knippert blauw.
Registratie van het gereedschap annuleren	Rood			20 seconden	Klaar om de registratie van het gereedschap te annuleren. Wachten op annuleren door de stofzuiger.
				2 seconden	Het annuleren van de registratie van het gereedschap is voltooid. De lamp van draadloos inschakelen knippert blauw.
Overig	Rood			3 seconden	De draadloos-eenheid wordt van stroom voorzien en de functie voor draadloos inschakelen start nu op.
	Uit	-		-	Het draadloos inschakelen van de stofzuiger is gestopt.

## Registratie van het gereedschap op de stofzuiger annuleren

Voer de volgende procedure uit om de registratie van het gereedschap in de stofzuiger te annuleren.

1. Breng de accu's aan in de stofzuiger en het gereedschap.
2. Zet de standbyschakelaar op de stofzuiger op "AUTO".

► Fig.55: 1. Standbyschakelaar

3. Houd de knop voor draadloos inschakelen op de stofzuiger gedurende 6 seconden ingedrukt. De lamp van draadloos inschakelen knippert groen en brandt daarna rood. Houd daarna op dezelfde manier de knop voor draadloos inschakelen op het gereedschap ingedrukt.

► Fig.56: 1. Knop voor draadloos inschakelen  
2. Lamp van draadloos inschakelen

Als het annuleren met succes is uitgevoerd, zullen de lampen van draadloos inschakelen gedurende 2 seconden rood branden, waarna ze blauw gaan knipperen.

**OPMERKING:** De lampen van draadloos inschakelen stoppen na 20 seconden met rood knipperen. Druk op de knop voor draadloos inschakelen op het gereedschap terwijl de lamp van draadloos inschakelen op de stofzuiger knippert. Als de lamp van draadloos inschakelen niet rood knippert, drukt u kort op de knop voor draadloos inschakelen en houdt u deze weer ingedrukt.

## Storingzoeken van de functie voor draadloos inschakelen

Alvorens u verzoekt om reparatie, kunt u zelf als volgt het probleem opsporen en oplossen. Als u met een probleem kampt dat in deze handleiding niet wordt beschreven, probeer dan niet het gereedschap te demonteren. Laat reparaties over aan een erkend Makita-servicecentrum, uitsluitend met gebruik van originele Makita-ervangingsonderdelen.

Probleemomschrijving	Waarschijnlijke oorzaak (storing)	Oplossing
De lamp van draadloos inschakelen brandt/knippert niet.	De draadloos-eenheid is niet aangebracht in het gereedschap. De draadloos-eenheid is verkeerd aangebracht in het gereedschap.	Breng de draadloos-eenheid op de juiste wijze aan.
	De aansluitingen van de draadloos-eenheid en/of de gleuf zijn vuil.	Veeg het stof en vuil op de aansluitingen van de draadloos-eenheid voorzichtig af en reinig de gleuf.
	Er is niet op de knop voor draadloos inschakelen op het gereedschap gedrukt.	Druk kort op de knop voor draadloos inschakelen op het gereedschap.
	De standbyschakelaar op de stofzuiger is niet op "AUTO" gezet.	Zet de standbyschakelaar op de stofzuiger op "AUTO".
	Geen voeding.	Voorzie het gereedschap en de stofzuiger van voeding.
De registratie van het gereedschap/het annuleren van de registratie van het gereedschap kan niet met succes worden voltooid.	De draadloos-eenheid is niet aangebracht in het gereedschap. De draadloos-eenheid is verkeerd aangebracht in het gereedschap.	Breng de draadloos-eenheid op de juiste wijze aan.
	De aansluitingen van de draadloos-eenheid en/of de gleuf zijn vuil.	Veeg het stof en vuil op de aansluitingen van de draadloos-eenheid voorzichtig af en reinig de gleuf.
	De standbyschakelaar op de stofzuiger is niet op "AUTO" gezet.	Zet de standbyschakelaar op de stofzuiger op "AUTO".
	Geen voeding.	Voorzie het gereedschap en de stofzuiger van voeding.
	Onjuiste bediening	Druk kort op de knop voor draadloos inschakelen en voer de procedures voor de registratie/het annuleren van de registratie opnieuw uit.
	Het gereedschap en de stofzuiger staan te ver uit elkaar (buiten het zendbereik).	Plaats het gereedschap en de stofzuiger dicht bij elkaar. Het maximale zendbereik is ongeveer 10 meter, echter, dit kan verschillen afhankelijk van de omstandigheden.
	Voordat de registratie van het gereedschap/het annuleren van de registratie van het gereedschap werd voltooid: - de schakelaar van het gereedschap werd aan gezet of; - de aan-uitknop op de stofzuiger werd ingeschakeld.	Druk kort op de knop voor draadloos inschakelen en voer de procedures voor de registratie/het annuleren van de registratie opnieuw uit.
	De procedure voor de registratie van het gereedschap op het gereedschap of de stofzuiger is niet voltooid.	Voer de procedure voor de registratie van het gereedschap tegelijkertijd uit op het gereedschap en de stofzuiger.
	Radiostoring door andere apparaten die sterke radiogolven genereren.	Houd het gereedschap en de stofzuiger uit de buurt van apparaten zoals Wi-Fi-apparaten en magnetrons.

Probleemomschrijving	Waarschijnlijke oorzaak (storing)	Oplossing
De stofzuiger wordt niet in- en uitgeschakeld tegelijk met de bediening van de schakelaar van het gereedschap.	De draadloos-eenheid is niet aangebracht in het gereedschap. De draadloos-eenheid is verkeerd aangebracht in het gereedschap.	Breng de draadloos-eenheid op de juiste wijze aan.
	De aansluitingen van de draadloos-eenheid en/of de gleuf zijn vuil.	Veeg het stof en vuil op de aansluitingen van de draadloos-eenheid voorzichtig af en reinig de gleuf.
	Er is niet op de knop voor draadloos inschakelen op het gereedschap gedrukt.	Druk kort op de knop voor draadloos inschakelen en controleer of de lamp van draadloos inschakelen blauw knippert.
	De standbyschakelaar op de stofzuiger is niet op "AUTO" gezet.	Zet de standbyschakelaar op de stofzuiger op "AUTO".
	Meer dan 10 gereedschappen zijn geregistreerd in de stofzuiger.	Voer de registratie van het gereedschap opnieuw uit. Als meer dan 10 gereedschappen zijn geregistreerd in de stofzuiger, wordt de eerste registratie van een gereedschap automatisch gewist.
	De stofzuiger heeft alle registraties van de gereedschappen gewist.	Voer de registratie van het gereedschap opnieuw uit.
	Geen voeding.	Voorzie het gereedschap en de stofzuiger van voeding.
	Het gereedschap en de stofzuiger staan te ver uit elkaar (buiten het zendbereik).	Plaats het gereedschap en de stofzuiger dicht bij elkaar. Het maximale zendbereik is ongeveer 10 meter, echter, dit kan verschillen afhankelijk van de omstandigheden.
	Radiostoring door andere apparaten die sterke radiogolven genereren.	Houd het gereedschap en de stofzuiger uit de buurt van apparaten zoals Wi-Fi-apparaten en magnetrons.
De stofzuiger is ingeschakeld terwijl het gereedschap niet in gebruik is.	Andere gebruikers gebruiken op hun gereedschap de functie voor draadloos inschakelen van de stofzuiger.	Schakel de knop voor draadloos inschakelen van de andere gereedschappen uit of annuleer de registratie van de andere gereedschappen.

## ONDERHOUD

**⚠ LET OP:** Zorg altijd dat het gereedschap is uitgeschakeld en de accu ervan is verwijderd alvorens te beginnen met onderhoud of inspectie.

**KENNISGEVING:** Gebruik nooit benzine, wasbenzine, thinner, alcohol en dergelijke. Hierdoor kunnen verkleuring, vervormingen en barsten worden veroorzaakt.

Om de VEILIGHEID en BETROUWBAARHEID van het gereedschap te handhaven, dienen alle reparaties, onderhoud of afstellingen te worden uitgevoerd bij een erkend Makita-servicecentrum of de Makita-fabriek, en altijd met gebruik van Makita-ervangingsonderdelen.

## De schaafseluitwerpopeningen reinigen

Reinig de schaafseluitwerpopeningen regelmatig. Gebruik perslucht om een verstopte schaafseluitwerpopeningen te reinigen.

## De messen aanscherpen

### Alleen voor conventionele schaafmessen

Zorg ervoor dat de schaafmessen altijd scherp zijn voor de beste prestaties. Gebruik de aanscherphouder (optioneel accessoire) voor het veilig en effectief aanscherpen van de randen van de schaafmessen.

► **Fig.57:** 1. Aanscherphouder 2. Mes

1. Draai de twee vleugelmoeren van de aanscherphouder los.
2. Schuif de achterranden van de schaafmessen zo ver mogelijk in de bevestigingssleuven met de snijranden die moeten worden gescherpt omlaag gericht.  
► **Fig.58:** 1. Aanscherphouder 2. Vleugelmoer 3. Schaafmessen 4. Snijrand 5. Bevestigingssleuven 6. Boutkop
3. Draai de vleugelmoeren vast om de schaafmessen op hun plaats te bevestigen.
4. Dompel de wetsteen gedurende 2 of 3 minuten onder water alvorens te scherp te maken.
5. Houd de aanscherphouder stevig vast en plaats de snijranden voorzichtig op het oppervlak van de wetsteen.
6. Scherp de snijranden door de aanscherphouder vooruit en achteruit te bewegen.  
► **Fig.59**

# OPTIONELE ACCESSOIRES

**⚠ LET OP:** Deze accessoires of hulpstukken worden aanbevolen voor gebruik met het Makita gereedschap dat in deze gebruiksaanwijzing is beschreven. Bij gebruik van andere accessoires of hulpstukken bestaat het gevaar van persoonlijke letsel. Gebruik de accessoires of hulpstukken uitsluitend voor hun bestemde doel.

Wenst u meer bijzonderheden over deze accessoires, neem dan contact op met uw plaatselijke Makita-servicecentrum.

- Snelstalen schaafmes
- Hardstalen schaafmes (voor een langere levensduur)
- Minischaafmes
- Aanscherphouder, compleet
- Mesmeter, compleet
- Aanzetplaat, paar
- Geleideplaat, compleet
- Opruwsteen
- Stofzak, compleet
- Kniestuk
- Afschuinliniaal, compleet
- Draadloos-eenheid
- Originele Makita accu's en acculaders

**OPMERKING:** Sommige items op de lijst kunnen zijn inbegrepen in de doos van het gereedschap als standaard toebehoren. Deze kunnen van land tot land verschillen.

## ESPECIFICACIONES

Modelo:	KP001G
Anchura de cepillado	82 mm
Profundidad de cepillado	4 mm
Profundidad de rebajamiento	25 mm
Velocidad sin carga	15.000 min <sup>-1</sup>
Longitud total (con BL4040)	385 mm
Tensión nominal	CC 36 V - 40 V máx.
Peso neto	3,7 - 4,9 kg

- Debido a nuestro continuado programa de investigación y desarrollo, las especificaciones aquí dadas están sujetas a cambios sin previo aviso.
- Las especificaciones y el cartucho de batería pueden diferir de país a país.
- El peso puede variar dependiendo del accesorio(s), incluyendo el cartucho de batería. La combinación menos pesada y la más pesada, de acuerdo con el procedimiento EPTA 01/2014, se muestran en la tabla.

### Cartucho de batería y cargador aplicables

Cartucho de batería	BL4020* / BL4025* / BL4040* / BL4050F / BL4080F * : Batería recomendada
Cargador	DC40RA / DC40RB / DC40RC

- Algunos de los cartuchos de batería y cargadores indicados arriba puede que no estén disponibles dependiendo de su región de residencia.

**⚠ ADVERTENCIA:** Utilice solamente los cartuchos de batería y cargadores indicados arriba. La utilización de cualquier otro cartucho de batería y cargador puede ocasionar heridas y/o un incendio.

### Uso previsto

La herramienta ha sido prevista para cepillar madera.

### Ruido

El nivel de ruido A-ponderado típico determinado de acuerdo con la norma EN62841-2-14:

Nivel de presión sonora ( $L_{pA}$ ) : 90 dB (A)

Nivel de potencia sonora ( $L_{WA}$ ) : 98 dB (A)

Error (K) : 3 dB (A)

**NOTA:** El valor (o los valores) de emisión de ruido declarado ha sido medido de acuerdo con un método de prueba estándar y se puede utilizar para comparar una herramienta con otra.

**NOTA:** El valor (o valores) de emisión de ruido declarado también se puede utilizar en una valoración preliminar de exposición.

**⚠ ADVERTENCIA:** Póngase protectores para oídos.

**⚠ ADVERTENCIA:** La emisión de ruido durante la utilización real de la herramienta eléctrica puede variar del valor (o los valores) de emisión declarado dependiendo de las formas en las que la herramienta sea utilizada, especialmente qué tipo de pieza de trabajo se procesa.

**⚠ ADVERTENCIA:** Asegúrese de identificar medidas de seguridad para proteger al operario que estén basadas en una estimación de la exposición en las condiciones reales de utilización (teniendo en cuenta todas las partes del ciclo operativo como las veces cuando la herramienta está apagada y cuando está funcionando en vacío además del tiempo de gatillo).

### Vibración

El valor total de la vibración (suma de vectores triaxiales) determinado de acuerdo con la norma EN62841-2-14:

Modo de trabajo: amolado superficial

Emisión de vibración ( $a_{hV}$ ) : 4,3 m/s<sup>2</sup>

Error (K) : 1,5 m/s<sup>2</sup>

**NOTA:** El valor (o los valores) total de emisión de vibración declarado ha sido medido de acuerdo con un método de prueba estándar y se puede utilizar para comparar una herramienta con otra.

**NOTA:** El valor (o los valores) total de emisión de vibración declarado también se puede utilizar en una valoración preliminar de exposición.

**⚠ADVERTENCIA:** La emisión de vibración durante la utilización real de la herramienta eléctrica puede variar del valor (o los valores) de emisión declarado dependiendo de las formas en las que la herramienta sea utilizada, especialmente qué tipo de pieza de trabajo se procesa.

**⚠ADVERTENCIA:** Asegúrese de identificar medidas de seguridad para proteger al operario que estén basadas en una estimación de la exposición en las condiciones reales de utilización (teniendo en cuenta todas las partes del ciclo operativo como las veces cuando la herramienta está apagada y cuando está funcionando en vacío además del tiempo de gatillo).

## Declaraciones de conformidad

### Para países europeos solamente

Las declaraciones de conformidad están incluidas como Anexo A de este manual de instrucciones.

## ADVERTENCIAS DE SEGURIDAD

### Advertencias de seguridad para herramientas eléctricas en general

**⚠ADVERTENCIA:** Lea todas las advertencias de seguridad, instrucciones, ilustraciones y especificaciones provistas con esta herramienta eléctrica. Si no sigue todas las instrucciones indicadas abajo podrá resultar en una descarga eléctrica, un incendio y/o heridas graves.

### Guarde todas las advertencias e instrucciones para futuras referencias.

El término "herramienta eléctrica" en las advertencias se refiere a su herramienta eléctrica de funcionamiento con conexión a la red eléctrica (con cable) o herramienta eléctrica de funcionamiento a batería (sin cable).

### Advertencias de seguridad para el cepillo inalámbrico

1. **Espere hasta que el cortador se detenga antes de dejar la herramienta.** Un cortador expuesto girando puede entrar en contacto con la superficie dando lugar a la pérdida de control y heridas graves.
2. **Utilice mordazas u otros medios de sujeción prácticos para sujetar y apoyar la pieza de trabajo en una plataforma estable.** Sujetada con su mano o contra el cuerpo, la pieza de trabajo estará inestable y podrá dar lugar a la pérdida del control.

3. **Los trapos, ropa, cables, cuerdas y por el estilo no deberán ser dejados nunca alrededor del área de trabajo.**
4. **Evite cortar clavos.** Inspeccione la pieza de trabajo por si tiene clavos y retírelos todos antes de la operación.
5. **Utilice solamente cuchillas afiladas.** Maneje las cuchillas con mucho cuidado.
6. **Asegúrese de que los pernos de instalación de la cuchilla están apretados firmemente antes de la operación.**
7. **Sujete la herramienta firmemente con ambas manos.**
8. **Mantenga las manos alejadas de las partes giratorias.**
9. **Antes de utilizar la herramienta en un pieza de trabajo definitiva, déjela funcionar durante un rato.** Observe por si hay vibración o bamboleo que pueda indicar una mala instalación o un mal equilibrio de la cuchilla.
10. **Asegúrese de que la cuchilla no está tocando la pieza de trabajo antes de activar el interruptor.**
11. **Espere hasta que la cuchilla alcance plena velocidad antes de cortar.**
12. **Apague siempre la herramienta y espere hasta que las cuchillas se hayan parado completamente antes de ajustar la profundidad de corte.**
13. **No meta nunca su dedo dentro del conducto de viruta.** El conducto puede atascarse cuando se corta madera húmeda. Limpie las virutas con un palo.
14. **No deje la herramienta en marcha.** Opere la herramienta solamente cuando la tenga en las manos.
15. **Cuando reemplace las cuchillas o alguna pieza del tambor, asegúrese de reemplazar las piezas en ambos lados del tambor como un conjunto.** De lo contrario, el desequilibrio resultante ocasionará vibración y acortará la vida útil de la herramienta.
16. **Utilice solamente cuchillas Makita especificadas en este manual.**
17. **Utilice siempre la mascarilla contra el polvo/respirador correcto para el material y la aplicación con que esté trabajando.**
18. **Opere la herramienta en una condición estable.** La operación en una condición inestable podrá ocasionar daños o heridas.

## GUARDE ESTAS INSTRUCCIONES.

**⚠ADVERTENCIA:** NO deje que la comodidad o familiaridad con el producto (a base de utilizarlo repetidamente) sustituya la estricta observancia de las normas de seguridad para el producto en cuestión.

El MAL USO o el no seguir las normas de seguridad establecidas en este manual de instrucciones podrá ocasionar graves heridas personales.



## Instrucciones de seguridad importantes para el cartucho de batería

1. Antes de utilizar el cartucho de batería, lea todas las instrucciones e indicaciones de precaución sobre (1) el cargador de baterías, (2) la batería, y (3) el producto con el que se utiliza la batería.
2. No desensamble ni manipule el cartucho de batería. Podrá resultar en un incendio, calor excesivo, o una explosión.
3. Si el tiempo de uso se acorta demasiado, cese la operación inmediatamente. Podría resultar en un riesgo de recalentamiento, posibles quemaduras e incluso una explosión.
4. Si entra electrólito en sus ojos, aclárelos con agua limpia y acuda a un médico inmediatamente. Existe el riesgo de poder perder la vista.
5. No cortocircuite el cartucho de batería:
  - (1) No toque los terminales con ningún material conductor.
  - (2) Evite guardar el cartucho de batería en un cajón junto con otros objetos metálicos, como clavos, monedas, etc.
  - (3) No exponga el cartucho de batería al agua ni a la lluvia.

Un cortocircuito en la batería puede producir una gran circulación de corriente, un recalentamiento, posibles quemaduras e incluso una rotura de la misma.
6. No guarde ni utilice la herramienta y el cartucho de batería en lugares donde la temperatura pueda alcanzar o exceder los 50 °C.
7. Nunca incinere el cartucho de batería incluso en el caso de que esté dañado seriamente o ya no sirva en absoluto. El cartucho de batería puede explotar si se tira al fuego.
8. No clave, corte, aplaste, lance, deje caer el cartucho de batería, ni golpee contra un objeto duro el cartucho de batería. Tal conducta podrá resultar en un incendio, calor excesivo, o una explosión.
9. No utilice una batería dañada.
10. Las baterías de litio-ion contenidas están sujetas a los requisitos de la Legislación para Materiales Peligrosos.

Para transportes comerciales, p.ej., por terceras personas y agentes de transportes, se deberán observar requisitos especiales para el empaquetado y etiquetado.

Para la preparación del artículo que se va a enviar, se requiere consultar con un experto en materiales peligrosos. Por favor, observe también la posibilidad de reglamentos nacionales más detallados.

Cubra con cinta aislante o enmascare los contactos expuestos y empaquete la batería de tal manera que no se pueda mover alrededor dentro del embalaje.
11. Para desechar el cartucho de batería, retírelo de la herramienta y deséchelo en un lugar seguro. Siga los reglamentos locales referentes al desecho de la batería.
12. Utilice las baterías solamente con los productos especificados por Makita. La instalación de las baterías en productos no compatibles puede resultar en un incendio, calor excesivo, explosión, o fuga de electrolito.
13. Si la herramienta no va a ser utilizada durante un periodo de tiempo largo, la batería deberá ser retirada de la herramienta.
14. Durante y después de la utilización, el cartucho de batería podrá acumular calor, lo cual puede ocasionar quemaduras o quemaduras de baja temperatura. Preste atención al manejo de cartuchos de batería calientes.
15. No toque el terminal de la herramienta inmediatamente después de utilizar, dado que puede calentarse lo suficiente como para ocasionar quemaduras.
16. No permita que virutas, polvo, o tierra se adhieran dentro de los terminales, orificios, y ranuras del cartucho de batería. Esto podría ocasionar calentamiento, que coja fuego, reviente y un mal funcionamiento de la herramienta o el cartucho de batería, resultando en quemaduras o heridas personales.
17. A menos que la herramienta pueda utilizarse cerca de cables eléctricos de alta tensión, no utilice el cartucho de batería cerca de cables eléctricos de alta tensión. Podrá resultar en un mal funcionamiento o rotura de la herramienta o el cartucho de batería.
18. Mantenga la batería alejada de los niños.

## GUARDE ESTAS INSTRUCCIONES.

**⚠PRECAUCIÓN:** Utilice solamente baterías genuinas de Makita. La utilización de baterías no genuinas de Makita, o baterías que han sido alteradas, puede resultar en una explosión de la batería ocasionando incendios, heridas personales y daños. También anulará la garantía de Makita para la herramienta y el cargador de Makita.

## Consejos para alargar al máximo la vida de servicio de la batería

1. Cargue el cartucho de batería antes de que se descargue completamente. Detenga siempre la operación y cargue el cartucho de batería cuando note menos potencia en la herramienta.
2. No cargue nunca un cartucho de batería que esté completamente cargado. La sobrecarga acortará la vida de servicio de la batería.
3. Cargue el cartucho de batería a temperatura ambiente de 10 °C - 40 °C. Si un cartucho de batería está caliente, déjelo enfriar antes de cargarlo.
4. Cuando no esté utilizando el cartucho de batería, retírelo de la herramienta o del cargador.
5. Cargue el cartucho de batería si no lo utiliza durante un periodo de tiempo prolongado (más de seis meses).

## Instrucciones de seguridad importantes para la unidad inalámbrica

1. No desmonte o manipule la unidad inalámbrica.
2. Mantenga la unidad inalámbrica alejada de niños pequeños. Si se ingiere accidentalmente, solicite atención médica inmediatamente.
3. Utilice la unidad inalámbrica solamente con herramientas Makita.
4. No exponga la unidad inalámbrica a la lluvia o a condiciones que se pueda mojar.
5. No utilice la unidad inalámbrica en lugares donde la temperatura exceda los 50 °C.
6. No utilice la unidad inalámbrica en lugares donde se encuentren cerca instrumentos médicos, tales como marcapasos cardiacos.
7. No utilice la unidad inalámbrica en lugares donde se encuentren cerca dispositivos automatizados. Si la utiliza, los dispositivos automatizados podrán desarrollar un mal funcionamiento o error.
8. No utilice la unidad inalámbrica en lugares de temperatura alta o lugares donde se pueda generar electricidad estática o ruido eléctrico.
9. La unidad inalámbrica puede producir campos electromagnéticos (CEM), pero no son perjudiciales para el usuario.
10. La unidad inalámbrica es un instrumento de precisión. Tenga cuidado de no dejar caer o golpear la unidad inalámbrica.
11. Evite tocar el terminal de la unidad inalámbrica con las manos desnudas o materiales metálicos.
12. Retire siempre la batería del producto cuando vaya a instalar la unidad inalámbrica en él.
13. Cuando abra la tapa de la ranura, evite los lugares donde polvo y agua puedan entrar en la ranura. Mantenga siempre limpia la abertura de la ranura.
14. Inserte siempre la unidad inalámbrica en la dirección correcta.
15. No presione el botón de activación inalámbrica en la unidad inalámbrica con fuerza ni presione el botón con un objeto de borde cortante.
16. Cierre siempre la tapa de la ranura cuando esté realizando operaciones.
17. No retire la unidad inalámbrica de la ranura mientras se esté suministrando alimentación a la herramienta. Si lo hace podrá ocasionar un mal funcionamiento de la unidad inalámbrica.
18. No retire la etiqueta adhesiva de la unidad inalámbrica.
19. No ponga ninguna etiqueta adhesiva en la unidad inalámbrica.
20. No deje la unidad inalámbrica en un lugar donde se pueda generar electricidad estática o ruido eléctrico.
21. No deje la unidad inalámbrica en un lugar expuesto a mucho calor, tal como dentro de un automóvil aparcado al sol.
22. No deje la unidad inalámbrica en un lugar polvoriento o polvoroso o en un lugar donde se pueda generar gas corrosivo.
23. Un cambio repentino de la temperatura puede cubrir de rocío la unidad inalámbrica. No utilice la unidad inalámbrica hasta que el rocío se haya secado completamente.
24. Cuando limpie la unidad inalámbrica, frote con cuidado con un paño suave y seco. No utilice benzina, disolvente, grasa conductora o algo similar.
25. Cuando almacene la unidad inalámbrica, manténgala en la funda suministrada o en un contenedor libre de electricidad estática.
26. No inserte ningún dispositivo excepto la unidad inalámbrica de Makita en la ranura de la herramienta.
27. No utilice la herramienta con la tapa de la ranura dañada. Si entra en la ranura agua, polvo o suciedad puede ocasionar un mal funcionamiento.
28. No tire de la tapa de la ranura ni la retuerza más de lo necesario. Vuelva a colocar la tapa si se desprende de la herramienta.
29. Reemplace la tapa de la ranura si se pierde o se daña.

## GUARDE ESTAS INSTRUCCIONES.

## DESCRIPCIÓN DEL FUNCIONAMIENTO

**⚠PRECAUCIÓN:** Asegúrese siempre de que la herramienta está apagada y el cartucho de batería retirado antes de realizar cualquier ajuste o comprobación en la herramienta.

## Instalación o extracción del cartucho de batería

**⚠PRECAUCIÓN:** Apague siempre la herramienta antes de instalar o retirar el cartucho de batería.

**⚠PRECAUCIÓN:** Sujete la herramienta y el cartucho de batería firmemente cuando instale o retire el cartucho de batería. Si no sujeta la herramienta y el cartucho de batería firmemente podrán caérsele de las manos y resultar en daños a la herramienta y al cartucho de batería y heridas personales.

► Fig.1: 1. Indicador rojo 2. Botón 3. Cartucho de batería

Para retirar el cartucho de batería, deslícelo de la herramienta mientras desliza el botón de la parte frontal del cartucho.

Para instalar el cartucho de batería, alinee la lengüeta del cartucho de batería con la ranura del alojamiento y deslícelo al interior hasta encajarlo en su sitio. Insértelo por completo hasta que se bloquee en su sitio con un pequeño chasquido. Si puede ver el indicador rojo como se muestra en la figura, no estará bloqueado completamente.

**⚠PRECAUCIÓN:** Instale siempre el cartucho de batería completamente hasta que no pueda verse el indicador rojo. En caso contrario, podrá caerse accidentalmente de la herramienta y ocasionarle heridas a usted o a alguien que esté cerca de usted.

**⚠PRECAUCIÓN:** No instale el cartucho de batería empleando fuerza. Si el cartucho no se desliza al interior fácilmente, será porque no está siendo insertado correctamente.

## Sistema de protección de la herramienta / batería

La herramienta está equipada con un sistema de protección de la herramienta/batería. Este sistema corta automáticamente la alimentación al motor para alargar la vida de servicio de la herramienta y la batería. La herramienta se detendrá automáticamente durante la operación si la herramienta o la batería es puesta en una de las condiciones siguientes:

### Protección contra sobrecarga

Quando la herramienta/batería sea operada de una manera que dé lugar a que tenga que absorber una corriente anormalmente alta, la herramienta se detendrá automáticamente. En esta situación, apague la herramienta y detenga la tarea que ocasiona la sobrecarga de la herramienta. Después encienda la herramienta para volver a empezar.

### Protección contra el recalentamiento

Quando la herramienta/batería se recalienta, la herramienta se detiene automáticamente. En esta situación, deje que la herramienta/batería se enfríe antes de encender la herramienta otra vez.

### Protección contra descarga excesiva

Quando la capacidad de batería no es suficiente, la herramienta se detiene automáticamente. En este caso, retire la batería de la herramienta y cargue la batería.

### Protecciones contra otras causas

También hay un sistema de protección diseñado para otras causas que pueden dañar la herramienta y permite a la herramienta detenerse automáticamente. Realice todos los pasos siguientes para despejar las causas, cuando la herramienta haya sido llevada a una pausa temporal o a una parada en la operación.



















1. Apague la herramienta, y después enciéndala otra vez para volver a empezar.
2. Cargue la(s) batería(s) o reemplácela(s) con una batería(s) recargada(s).
3. Deje que la herramienta y la(s) batería(s) se enfríen.

Si no se nota una mejora al restablecer el sistema de protección, póngase en contacto con el centro de servicio Makita local.

## Modo de indicar la capacidad de batería restante

Presione el botón de comprobación en el cartucho de batería para indicar la capacidad de batería restante. Las lámparas indicadoras se iluminan durante unos pocos segundos.

► **Fig.2:** 1. Lámparas indicadoras 2. Botón de comprobación

Lámparas indicadoras			Capacidad restante
 Iluminada	 Apagada	 Parpadeando	
			75% a 100%
			50% a 75%
			25% a 50%
			0% a 25%
			Cargue la batería.
 	 	 	Puede que la batería no esté funcionando bien.

**NOTA:** Dependiendo de las condiciones de utilización y de la temperatura ambiente, la indicación podrá variar ligeramente de la capacidad real.

**NOTA:** La primera lámpara indicadora (extremo izquierdo) parpadeará cuando el sistema de protección de la batería esté funcionando.

## Ajuste de la profundidad de corte

**⚠PRECAUCIÓN:** Apague siempre la herramienta y espere hasta que las cuchillas se hayan parado completamente antes de ajustar la profundidad de corte.

**NOTA:** Cuando gire el pomo de ajuste de profundidad, asegúrese de sujetar la empuñadura firmemente con la otra mano.

La profundidad de corte se puede ajustar girando el pomo de ajuste de profundidad de la parte delantera de la herramienta. Gire el pomo para alinear el puntero con la profundidad de corte deseada de la escala de profundidad.

► **Fig.3:** 1. Pomo de ajuste de profundidad 2. Puntero 3. Escala de profundidad

## Accionamiento del interruptor

**⚠️ ADVERTENCIA:** Antes de insertar el cartucho de batería en la herramienta, compruebe siempre para cerciorarse de que el gatillo interruptor se acciona debidamente y que vuelve a la posición "OFF" cuando lo suelta.

**⚠️ ADVERTENCIA:** No anule NUNCA la función del botón de desbloqueo sujetándolo con cinta adhesiva o alguna otra manera. Un interruptor con un botón de desbloqueo anulado puede resultar en una puesta en marcha involuntaria y a heridas personales graves.

**⚠️ ADVERTENCIA:** No utilice NUNCA la herramienta si se pone en marcha cuando usted simplemente aprieta el gatillo interruptor sin presionar el botón de desbloqueo. Un interruptor con necesidad de reparación puede resultar en una puesta en marcha involuntaria y a heridas personales graves. Lleve la herramienta a un centro de servicio Makita para que le hagan las reparaciones apropiadas ANTES de seguir utilizándola.

**AVISO:** No apriete con fuerza el gatillo interruptor sin presionar hacia dentro el botón de desbloqueo. Podría romper el interruptor.

Para evitar que el gatillo interruptor pueda ser apretado accidentalmente, se ha provisto el botón de desbloqueo. Para poner en marcha la herramienta, mantenga presionado el botón de desbloqueo, y después apriete el gatillo interruptor. Suelte el gatillo interruptor para parar.

► Fig.4: 1. Gatillo interruptor 2. Botón de desbloqueo

## Pie

El pie emergerá de la base trasera cuando levante la herramienta de las superficies de trabajo para evitar que las cuchillas de cepillo toquen la pieza de trabajo directamente. Esto evita que las cuchillas de cepillo se dañen accidentalmente cuando no se estén utilizando. El pie se introducirá de nuevo en la base trasera cada vez que ponga la base de la herramienta encima de superficies de trabajo.

► Fig.5: 1. Cuchilla de la cepilladora 2. Base trasera 3. Pie 4. Superficie de trabajo

## Función de prevención de reinicio de puesta en marcha accidental

Si instala el cartucho de batería mientras aprieta el gatillo interruptor, la herramienta no se pondrá en marcha. Para poner en marcha la herramienta, suelte el gatillo interruptor, y después apriete el gatillo interruptor otra vez mientras presiona el botón de desbloqueo.

## Función electrónica

La herramienta está equipada con las funciones electrónicas siguientes para facilitar la operación.

## Freno eléctrico

La herramienta está equipada con un freno eléctrico. Si la herramienta consistentemente deja de pararse rápidamente después de soltar el gatillo interruptor, haga que la herramienta sea servida en un centro de servicio Makita local.

## Característica de inicio suave

La función de inicio suave minimiza el golpe del arranque, y hace que la herramienta se ponga en marcha suavemente.

## MONTAJE

**⚠️ PRECAUCIÓN:** Asegúrese siempre de que la herramienta está apagada y el cartucho de batería retirado antes de realizar cualquier trabajo en la herramienta.

## Para guardar la llave de tubo

Cuando no se esté utilizando, guarde la llave de tubo como se muestra en la figura para evitar que se pierda.

► Fig.6: 1. Llave de tubo

## Desmontaje e instalación de las cuchillas de cepillo

**⚠️ PRECAUCIÓN:** Apriete los pernos de instalación de la cuchilla con cuidado cuando coloque las cuchillas de cepillo en la herramienta. Compruebe siempre para ver que están apretados firmemente. Un perno de instalación flojo puede ser peligroso.

**⚠️ PRECAUCIÓN:** Maneje las cuchillas de cepillo con mucho cuidado. Utilice guantes o trapos para proteger sus dedos o manos cuando retire e instale las cuchillas de cepillo.

**⚠️ PRECAUCIÓN:** Utilice solamente la llave Makita provista para retirar e instalar las cuchillas de cepillo. No hacerlo podrá resultar en un apriete excesivo o insuficiente de los pernos de instalación. Esto podrá ocasionar heridas.

**AVISO:** Para instalar las cuchillas de cepillo, primero limpie todas las virutas o materia extraña adheridas al tambor y las cuchillas de cepillo. Utilice cuchillas de cepillo de las mismas dimensiones y peso, de lo contrario, resultará en oscilación/vibración del tambor, que ocasionará una acción de cepillado incorrecta, y en la rotura de la herramienta.

## Para herramienta con cuchillas de cepillo convencionales

**NOTA:** En el tambor se instala un par de cuchillas de cepillo. Repita los procedimientos siguientes para cada cuchilla de cepillo.

## Desmontaje de las cuchillas de cepillo convencionales

1. Desenrosque los pernos de instalación del tambor utilizando la llave de tubo provista.
  2. Desmonte la placa del tambor y la cuchilla de cepillo convencional (con la placa de ajuste) del tambor.
- Fig.7: 1. Perno de instalación 2. Placa del tambor 3. Cuchilla convencional (con placa de ajuste) 4. Tambor

3. Afloje los tornillos de la cuchilla de cepillo convencional, y después retire la placa de ajuste.

► **Fig.8:** 1. Tornillos 2. Cuchilla convencional de cepillo 3. Placa de ajuste

## Instalación de las cuchillas de cepillo convencionales

1. Ponga la cuchilla de cepillo convencional encima del calibrador de cuchilla, alineando su borde cortante a lo largo de la pared guía del calibrador de cuchilla horizontalmente.

► **Fig.9:** 1. Cuchilla de cepillo convencional  
2. Calibrador de cuchilla 3. Borde cortante  
4. Pared guía

2. Coloque la placa de ajuste encima de la cuchilla de cepillo convencional, y después apriete ligeramente los tornillos.

3. Empuje la placa de ajuste hacia delante hasta que su guía de posicionamiento encaje nítida y enteramente a lo largo de la pared lateral trasera del calibrador de cuchilla.

4. Sujete la placa de ajuste en esa posición y apriete los tornillos para sujetarla en su sitio.

► **Fig.10:** 1. Placa de ajuste 2. Cuchilla de cepillo convencional 3. Tornillo 4. Guía de posicionamiento  
5. Pared lateral trasera 6. Calibrador de cuchilla

5. Retire todas las virutas y materias extrañas adheridas al tambor y a la cuchilla de cepillo convencional.

6. Deslice la guía de posicionamiento de la placa de ajuste al interior de la ranura guía del tambor, y después coloque la placa del tambor encima de la cuchilla de cepillo convencional (con la placa de ajuste).

7. Apriete alternativa y uniformemente todos los pernos de instalación con la llave de tubo.

► **Fig.11:** 1. Guía de posicionamiento 2. Placa de ajuste 3. Ranura guía 4. Tambor 5. Placa del tambor 6. Cuchilla de cepillo convencional 7. Perno de instalación

## Para herramienta con mini cuchillas de cepillo

**NOTA:** En el tambor se instala un par de cuchillas de cepillo. Repita los procedimientos siguientes para cada cuchilla de cepillo.

### Desmontaje de las mini cuchillas de cepillo

1. Afloje los pernos de instalación una vuelta utilizando la llave de tubo provista.

► **Fig.12:** 1. Perno de instalación 2. Llave de tubo

2. Deslice la mini cuchilla de cepillo para sacarla del tambor empujando un extremo de la cuchilla hacia fuera desde el lado de la cubierta de la correa.

► **Fig.13:** 1. Mini cuchilla de cepillo 2. Tambor  
3. Cubierta de la correa 4. Mango en T de la llave de tubo

**NOTA:** Utilice los extremos del mango en T de la llave de tubo para deslizar la mini cuchilla de cepillo hacia fuera para mayor seguridad de operación y mantenimiento.

## Instalación de las mini cuchillas de cepillo

1. Retire todas las virutas y materias extrañas adheridas al tambor y a la mini cuchilla de cepillo.

2. Deslice una mini cuchilla de cepillo entre el tambor y la placa de posición empujando un extremo de la cuchilla hacia dentro desde el costado opuesto al de la cubierta de la correa.

3. Apriete alternativa y uniformemente todos los pernos de instalación con la llave de tubo.

► **Fig.14:** 1. Mini cuchilla de cepillo 2. Tambor  
3. Placa de posición 4. Cubierta de la correa 5. Perno de instalación 6. Llave de tubo

## Calibración de la mini cuchilla de cepillo

Realice una calibración de las cuchillas de cepillo a intervalos regulares para optimizar la eficacia de trabajo.

1. Afloje los pernos de instalación una vuelta utilizando la llave de tubo provista.

2. Deslice la mini cuchilla de cepillo para sacarla del tambor empujando un extremo de la cuchilla hacia fuera desde el lado de la cubierta de la correa.

3. Desenrosque los pernos de instalación del tambor utilizando la llave de tubo.

4. Desmonte la placa del tambor y la placa de posición (con la placa de ajuste) del tambor.

► **Fig.15:** 1. Perno de instalación 2. Placa del tambor  
3. Placa de posición (con la placa de ajuste)  
4. Tambor

5. Afloje los tornillos de la placa de posición una vuelta para desacoplar la placa de ajuste.

► **Fig.16:** 1. Tornillos 2. Placa de posición 3. Placa de ajuste

6. Retire todas las virutas y materias extrañas adheridas a la placa de posición (con la placa de ajuste) y a la mini cuchilla de cepillo.

7. Ponga la mini cuchilla de cepillo encima del calibrador de cuchilla, alineando su borde cortante a lo largo de la pared guía del calibrador de cuchilla horizontalmente.

8. Coloque la placa de posición (con la placa de ajuste) encima de la mini cuchilla de cepillo alineando los resaltes guía de la placa de posición con las ranuras guía de la mini cuchilla de cepillo.

► **Fig.17:** 1. Mini cuchilla de cepillo 2. Calibrador de cuchilla 3. Borde cortante 4. Pared guía  
5. Placa de posición (con la placa de ajuste)  
6. Resalte guía 7. Ranura guía

9. Empuje la placa de ajuste hacia delante hasta que su guía de posicionamiento encaje nítida y enteramente a lo largo de la pared lateral trasera del calibrador de cuchilla.

10. Sujete la placa de ajuste en esa posición y apriete los tornillos para sujetarla en su sitio.

► **Fig.18:** 1. Placa de ajuste 2. Placa de posición  
3. Tornillo 4. Guía de posicionamiento  
5. Pared lateral trasera 6. Calibrador de cuchilla

11. Deslice la guía de posicionamiento de la placa de ajuste al interior de la ranura guía del tambor, y después coloque la placa del tambor encima de la placa de posición (con la placa de ajuste).

► **Fig.19:** 1. Guía de posicionamiento 2. Placa de ajuste 3. Ranura guía 4. Tambor 5. Placa del tambor 6. Placa de posición 7. Perno de instalación

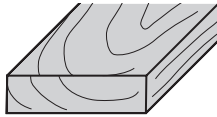
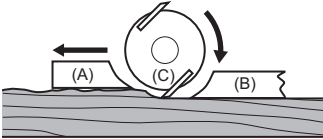
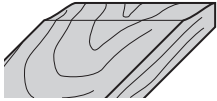
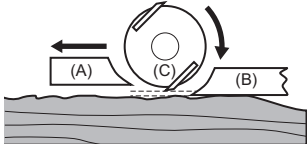
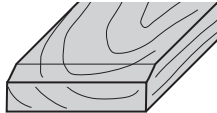
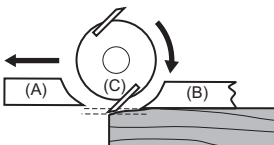
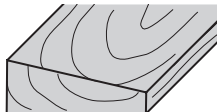
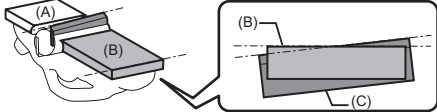
12. Apriete ligeramente los pernos de instalación, y deslice la mini cuchilla de cepillo entre el tambor y la placa de posición empujando un extremo de la cuchilla hacia dentro desde el costado opuesto al de la cubierta de la correa.

13. Apriete alternativa y uniformemente todos los pernos de instalación con la llave de tubo.

► **Fig.20:** 1. Mini cuchilla de cepillo 2. Tambor 3. Placa de posición 4. Cubierta de la correa 5. Perno de instalación 6. Llave de tubo

## Ajustes de la cuchilla de cepillo

La superficie de cepillado acabará basta y desigual, a menos que las cuchillas de cepillo estén ajustadas debida y firmemente. Instale las cuchillas de cepillo correctamente de manera que los bordes cortantes reposen en ángulo recto, nivelados perfectamente con la línea de la base trasera, y exactamente paralelos a la planta del plano. Lea los ejemplos indicados en la tabla para hacer los ajustes apropiados.

Superficie de cepillado	Ajuste de la cuchilla	Causa
<p>Ajuste correcto</p> 		Los bordes cortantes reposan nivelados con la línea de la base trasera y corren de costado a costado paralelos a la planta del plano.
<p>Ahuecamiento al inicio</p> 		Los bordes cortantes quedan por encima de la línea de la base trasera.
<p>Ahuecamiento al final</p> 		Los bordes cortantes sobrepasan la línea de la base trasera.
<p>Pendiente en la superficie</p> 		Los bordes cortantes reposan de costado a costado no paralelos a la planta del plano.

(A): Base delantera (Zapata ajustable)  
 (B): Base trasera (Zapata fija)  
 (C): Cuchilla de cepillo

## Instalación de la regla guía

1. Repose la herramienta con la cubierta de la correa orientada hacia arriba.

2. Monte la regla guía en su sitio fijándola con el tornillo de palometa en el agujero de montaje del lado de la cabeza de la herramienta.

► **Fig.21:** 1. Cubierta de la correa 2. Regla guía 3. Tornillo de palometa 4. Agujero de montaje

3. Deslice la guía de borde hacia dentro y hacia fuera hasta la anchura de cepillado deseada, y después apriete el tornillo de palometa para sujetarla en la posición requerida.

► **Fig.22:** 1. Guía de borde 2. Tornillo de palometa

## Instalación de la guía de profundidad

1. Repose la herramienta con la cubierta de la correa orientada hacia abajo.

2. Monte la guía de profundidad en su sitio fijándola con la arandela y el tornillo de palometa en el agujero de montaje del lado de la cabeza de la herramienta.

► **Fig.23:** 1. Cubierta de la correa 2. Guía de profundidad 3. Arandela 4. Tornillo de palometa 5. Agujero de montaje

3. Deslice la guía de profundidad hacia arriba y hacia abajo hasta la profundidad de cepillado deseada, y después apriete el tornillo de palometa para sujetarla en la posición requerida.

► **Fig.24:** 1. Guía de profundidad 2. Tornillo de palometa



## Instalación de las reglas de achaflanado

### Accesorio opcional

1. Repose la herramienta con la base delantera orientada hacia arriba.
2. Coloque las guías de borde en los brazos de montaje, alineando los salientes de los brazos con las hendiduras guía de las guías de borde, y sujételas con las arandelas y los tornillos de palometa.
3. Monte las reglas de achaflanado (juegos de guías de borde y brazos de montaje) en su sitio sujetándolas con los tornillos de palometa en los agujeros de montaje de ambos costados de la cabeza de la herramienta.  
► **Fig.25:** 1. Base delantera 2. Guía de borde 3. Brazo de montaje 4. Saliente 5. Hendidura guía 6. Arandela 7. Tornillo de palometa 8. Agujero de montaje

4. Deslice las guías de borde hacia dentro y hacia fuera hasta el rango de achaflanado deseado, y después apriete los tornillos de palometa para sujetarlas en la posición requerida.

► **Fig.26:** 1. Guía de borde 2. Tornillo de palometa

## Extracción del polvo y las virutas

El polvo y las virutas se pueden extraer por el lado izquierdo o derecho de las aberturas de descarga. Cubra la abertura de descarga del lado opuesto al que prefiera para la dirección de extracción de polvo con el tapón.

Para quitar el tapón de la abertura de descarga, gire el tapón hacia la empuñadura ligeramente para soltar el bloqueo, y después extráigalo.

► **Fig.27:** 1. Tapón 2. Empuñadura

En cuanto a la instalación, inserte el tapón en línea recta en una de las aberturas alineando la muesca de bloqueo del tapón con el saliente guía de la abertura hasta que se bloquee en su sitio.

► **Fig.28:** 1. Tapón 2. Muesca de bloqueo 3. Saliente guía

## Bolsa de polvo

### Accesorios opcionales

Coloque la bolsa de polvo en una de las aberturas de descarga y empuje firmemente a fondo. Asegúrese de que la bolsa de polvo está colocada firmemente sobre la abertura cónica de manera que no se salga durante la operación.

► **Fig.29:** 1. Bolsa colectora de polvo 2. Abertura de descarga

Cuando la bolsa de polvo esté medio llena, retírela de la herramienta y retire el cierre. Vacíe la bolsa de polvo. Golpee ligeramente la bolsa de polvo para retirar las partículas adheridas dentro, que podrían impedir la posterior recogida de polvo.

► **Fig.30:** 1. Cierre

**NOTA:** Si conecta un aspirador Makita a esta herramienta, podrá realizar operaciones más eficientes y limpias.

## Conexión de un aspirador

Cuando quiera realizar una operación de cepillado limpia, conecte un aspirador Makita a su herramienta. Conecte una manguera del aspirador a una de las aberturas de descarga como se muestra en la figura.

► **Fig.31:** 1. Aspirador

## Codo

### Accesorios opcionales

Utilice un codo extractor de polvo para condensar el flujo de aire de extracción en los ángulos preferidos para lograr un entorno de trabajo más limpio. Coloque el codo en una de las aberturas de descarga y empuje firmemente a fondo.

► **Fig.32:** 1. Codo

## FUNCIONAMIENTO

**PRECAUCIÓN:** Sujete la herramienta firmemente con una mano en la empuñadura del interruptor y la otra en el pomo de ajuste de profundidad cuando utilice la herramienta.

## Operación de cepillado

1. Sujete la herramienta firmemente con ambas manos, una mano en la empuñadura del interruptor y la otra en el pomo de ajuste de profundidad.

2. Coloque la base delantera de la herramienta plana sobre la superficie de la pieza de trabajo sin que las cuchillas de cepillo hagan ningún contacto.

3. Encienda la herramienta y espere hasta que adquiera plena velocidad.

4. Mueva la herramienta con cuidado hacia delante, aplicando ligeramente más presión hacia abajo sobre el pomo de ajuste de profundidad al principio a fin de mantener toda la base del cepillo plana y uniforme con la superficie de la pieza de trabajo.

► **Fig.33**

5. Ponga cuidado de aplicar presión uniformemente encima de la superficie de la pieza de trabajo a mitad de la operación, y empuje la herramienta a velocidad constante hacia delante.

► **Fig.34**

**NOTA:** Equilibre la presión de las manos entre la empuñadura del interruptor y el pomo de ajuste de profundidad de manera que las bases delantera y trasera hagan contacto con la superficie de la pieza de trabajo.

6. Ejercer mayor control en la empuñadura del interruptor para evitar rebasar al final de una pasada ya que la base delantera se caería de la superficie de la pieza de trabajo.

► **Fig.35**

**NOTA:** El cepillado puede resultar más fácil si coloca la pieza de trabajo con una ligera inclinación hacia delante de manera que tenga que aflojar un poco la presión para sujetar la herramienta durante la operación.

**NOTA:** Ajuste la velocidad y la profundidad de corte para los acabados de superficie deseados.

Para un acabado basto, ajuste una profundidad de corte lo suficientemente profunda para la pieza de trabajo.

Para un acabado bien cuidado y fino, empuje la herramienta despacio con una profundidad de corte poco profunda y haga más pasadas.

## Rebajamiento (Machihembrado)

### ► Fig.36

Utilice la regla guía para hacer un corte escalonado como se muestra en la figura.

1. Instale la regla guía y la guía de profundidad en la herramienta y sujételas con las arandelas y los tornillos de palometa.

2. Ajuste la guía de profundidad a la profundidad de rebajamiento y sujétela en su sitio con el tornillo de palometa.

3. Trace una línea de corte sobre la pieza de trabajo y alinee el borde de la cuchilla con la línea de corte.

► **Fig.37:** 1. Borde de la cuchilla 2. Línea de corte 3. Guía de profundidad 4. Tornillo de palometa

**NOTA:** Asegúrese de que el borde de la cuchilla sobresale por el extremo lateral del tambor entre 1,6 mm - 1,8 mm para rebajamiento. (Consulte "A" en la figura siguiente).

\* Puede optar por dejar que el extremo de la cuchilla sobresalga por el extremo lateral de la base delantera entre 0,2 mm - 0,4 mm. (Consulte "B" en la figura siguiente).

► **Fig.38:** 1. Borde de la cuchilla 2. Extremo lateral del tambor 3. Extremo lateral de la base delantera

4. Deslice la guía de borde de la regla guía hacia dentro hasta que entre en contacto con la pared lateral de la pieza de trabajo. Después sujétela en su sitio con el tornillo de palometa.

► **Fig.39:** 1. Regla guía 2. Guía de borde 3. Pared lateral 4. Tornillo de palometa

5. Realice la operación de cepillado moviendo la herramienta con toda la guía de borde deslizándose a lo largo de la pared lateral de la pieza de trabajo.

**NOTA:** Las longitudes de alcance de la guía lateral se pueden alargar colocando una pieza adicional de madera en los agujeros de fijación de la guía lateral.

► **Fig.40:** 1. Pieza adicional de madera 2. Agujeros de fijación

## Achaflanado

### ► Fig.41

Utilice el corte de ranuras en "V" de la base delantera para hacer un corte achaflanado como se muestra en la figura.

Realice una operación de cepillado moviendo la herramienta con una de las tres ranuras en "V" de la base delantera alineada con el borde de la esquina de la pieza de trabajo.

► **Fig.42:** 1. Ranura en V (cantidad media de achaflanado) 2. Ranura en V (cantidad pequeña de achaflanado) 3. Ranura en V (cantidad grande de achaflanado)

## Utilización de reglas de achaflanado

### Accesorio opcional

1. Deslice las guías de borde de las reglas de achaflanado hacia dentro hasta que entren en contacto con las paredes de la esquina de la pieza de trabajo.

2. Sujete las guías de borde en su sitio con los tornillos de palometa.

3. Realice la operación de cepillado moviendo la herramienta con todas las guías de borde deslizándose a lo largo de las paredes de la esquina de la pieza de trabajo.

► **Fig.43:** 1. Regla de achaflanado 2. Guías de borde 3. Tornillo de palometa

**NOTA:** Para chaflanes grandes, haga muchas pasadas de cepillado, comenzando con un achaflanado pequeño y continuando con uno más grande, como se muestra en la figura.

► **Fig.44:** 1. Borde de la regla de achaflanado 2. Achaflanado pequeño 3. Achaflanado grande

## FUNCIÓN DE ACTIVACIÓN INALÁMBRICA

### Lo que puede hacer con la función de activación inalámbrica

La función de activación inalámbrica permite realizar una operación limpia y cómoda. Conectando un aspirador compatible a la herramienta, puede poner en marcha automáticamente el aspirador junto con la operación del interruptor de la herramienta.

### ► Fig.45

Para utilizar la función de activación inalámbrica, prepare los elementos siguientes:

- Una unidad inalámbrica (accesorio opcional)
- Un aspirador compatible con la función de activación inalámbrica



El resumen del ajuste de la función de activación inalámbrica es como sigue. Consulte cada sección para ver los procedimientos en detalle.

1. Instalación de la unidad inalámbrica
2. Registro de herramienta para el aspirador
3. Inicio de la función de activación inalámbrica

## Instalación de la unidad inalámbrica

### Accesorios opcionales

**⚠ PRECAUCIÓN:** Ponga la herramienta sobre una superficie plana y estable cuando instale la unidad inalámbrica.

**AVISO:** Limpie el polvo y la suciedad de la herramienta antes de instalar la unidad inalámbrica. El polvo o la suciedad puede ocasionar un mal funcionamiento si entra en la ranura de la unidad inalámbrica.

**AVISO:** Para evitar el mal funcionamiento causado por la electricidad estática, toque un material en el que descarga la electricidad estática, tal como una parte metálica de la herramienta, antes de coger la unidad inalámbrica.

**AVISO:** Cuando instale la unidad inalámbrica, asegúrese siempre de que la unidad inalámbrica está insertada en la dirección correcta y que la tapa está completamente cerrada.

1. Abra la tapa de la herramienta como se muestra en la figura.

► **Fig.46:** 1. Tapa

2. Inserte la unidad inalámbrica en la ranura y después cierre la tapa.

Cuando inserte la unidad inalámbrica, alinee los salientes con las porciones embutidas de la ranura.

► **Fig.47:** 1. Unidad inalámbrica 2. Saliente 3. Tapa 4. Porción embutida

Cuando retire la unidad inalámbrica, abra la tapa despacio. Los ganchos de la parte trasera de la tapa alzarán la unidad inalámbrica a medida que usted levanta la tapa.

► **Fig.48:** 1. Unidad inalámbrica 2. Gancho 3. Tapa

Después de retirar la unidad inalámbrica, manténgala dentro de la funda suministrada o en un contenedor libre de electricidad estática.

**AVISO:** Utilice siempre los ganchos de la parte trasera de la tapa cuando retire la unidad inalámbrica. Si los ganchos no agarran la unidad inalámbrica, cierre la tapa completamente y ábrala despacio otra vez.

## Registro de herramienta para el aspirador

**NOTA:** Para el registro de herramienta se requiere un aspirador Makita compatible con la función de activación inalámbrica.

**NOTA:** Termine de instalar la unidad inalámbrica en la herramienta antes de comenzar el registro de herramienta.

**NOTA:** Durante el registro de herramienta, no apriete el gatillo interruptor o active el interruptor de alimentación del aspirador.

**NOTA:** Consulte el manual de instrucciones del aspirador, también.

Si desea activar el aspirador junto con la operación del interruptor de la herramienta, termine el registro de herramienta de antemano.

1. Instale las baterías en el aspirador y la herramienta.
2. Ajuste el interruptor de espera del aspirador a "AUTO".

► **Fig.49:** 1. Interruptor de espera

3. Presione el botón de activación inalámbrica en el aspirador durante 3 segundos hasta que la lámpara de activación inalámbrica parpadee en verde. Y después presione el botón de activación inalámbrica en la herramienta de la misma manera.

► **Fig.50:** 1. Botón de activación inalámbrica 2. Lámpara de activación inalámbrica

Si el aspirador y la herramienta están vinculados correctamente, las lámparas de activación inalámbrica se iluminarán en verde durante 2 segundos y comenzarán a parpadear en azul.

**NOTA:** Las lámparas de activación inalámbrica dejarán de parpadear en verde después de transcurrir 20 segundos. Presione el botón de activación inalámbrica en la herramienta mientras la lámpara de activación inalámbrica en la aspiradora está parpadeando. Si la lámpara de activación inalámbrica no parpadea en verde, presione el botón de activación inalámbrica brevemente y manténgalo presionado otra vez.

**NOTA:** Cuando realice dos o más registros de herramienta para un aspirador, termine el registro de herramienta de uno en uno.

## Inicio de la función de activación inalámbrica

**NOTA:** Termine el registro de herramienta para el aspirador antes de la activación inalámbrica.

**NOTA:** Consulte el manual de instrucciones del aspirador, también.

Después de registrar una herramienta en el aspirador, el aspirador se pondrá en marcha automáticamente junto con la operación del interruptor de la herramienta.

1. Instale la unidad inalámbrica en la herramienta.
2. Conecte la manguera del aspirador a la herramienta.

► **Fig.51**

3. Ajuste el interruptor de espera del aspirador a "AUTO".

► **Fig.52:** 1. Interruptor de espera

4. Presione el botón de activación inalámbrica en la herramienta brevemente. La lámpara de activación inalámbrica parpadeará en azul.

► **Fig.53:** 1. Botón de activación inalámbrica  
2. Lámpara de activación inalámbrica

5. Encienda la herramienta. Compruebe si el aspirador está en marcha mientras la herramienta está funcionando.

Para detener la activación inalámbrica del aspirador, presione el botón de activación inalámbrica en la herramienta.

**NOTA:** La lámpara de activación inalámbrica en la herramienta dejará de parpadear en azul cuando no se realice ninguna operación durante 2 horas. En este caso, ajuste el interruptor de espera del aspirador a "AUTO" y presione el botón de activación inalámbrica en la herramienta otra vez.

**NOTA:** El aspirador se pone en marcha/se detiene con una demora. Hay un lapso de tiempo cuando el aspirador detecta una operación del interruptor de la herramienta.










**NOTA:** La distancia de transmisión de la unidad inalámbrica puede variar dependiendo de la ubicación y las circunstancias circundantes.

**NOTA:** Cuando haya registradas dos o más herramientas en un aspirador, el aspirador podrá ponerse en marcha aunque usted no encienda la herramienta porque otro usuario está utilizando la función de activación inalámbrica.

## Descripción del estado de la lámpara de activación inalámbrica

► **Fig.54:** 1. Lámpara de activación inalámbrica

La lámpara de activación inalámbrica muestra el estado de la función de activación inalámbrica. Consulte la tabla de abajo para ver el significado del estado de la lámpara.

Estado	Lámpara de activación inalámbrica				Descripción
	Color	 Encendida	 Parpadeando	Duración	
En espera	Azul			2 horas	La activación inalámbrica del aspirador está disponible. La lámpara se apagará automáticamente cuando no se realice ninguna operación durante 2 horas.
				Cuando la herramienta está en marcha.	La activación inalámbrica del aspirador está disponible y la herramienta está en marcha.
Registro de herramienta	Verde			20 segundos	Preparada para el registro de herramienta. Esperando para el registro en el aspirador.
				2 segundos	El registro de herramienta ha terminado. La lámpara de activación inalámbrica comenzará a parpadear en azul.
Cancelación del registro de herramienta	Rojo			20 segundos	Preparada para la cancelación del registro de herramienta. Esperando para la cancelación en el aspirador.
				2 segundos	La cancelación del registro de herramienta ha terminado. La lámpara de activación inalámbrica comenzará a parpadear en azul.
Otros	Rojo			3 segundos	La alimentación se suministra a la unidad inalámbrica y la función de activación inalámbrica se está poniendo en marcha.
	Apagada	-		-	La activación inalámbrica del aspirador está detenida.

## Cancelación del registro de herramienta para el aspirador

Realice el procedimiento siguiente cuando vaya a cancelar el registro de herramienta para el aspirador.

1. Instale las baterías en el aspirador y la herramienta.

2. Ajuste el interruptor de espera del aspirador a "AUTO".

► **Fig.55:** 1. Interruptor de espera

3. Presione el botón de activación inalámbrica en el aspirador durante 6 segundos. La lámpara de activación inalámbrica parpadea en verde y después se vuelve roja. Después de esto, presione el botón de activación inalámbrica en la herramienta de la misma manera.

► **Fig.56:** 1. Botón de activación inalámbrica  
2. Lámpara de activación inalámbrica

Si la cancelación se realiza correctamente, las lámparas de activación inalámbrica se iluminarán en rojo durante 2 segundos y comenzarán a parpadear en azul.

**NOTA:** Las lámparas de activación inalámbrica dejarán de parpadear en rojo después de transcurrir 20 segundos. Presione el botón de activación inalámbrica en la herramienta mientras la lámpara de activación inalámbrica en la aspiradora está parpadeando. Si la lámpara de activación inalámbrica no parpadea en rojo, presione el botón de activación inalámbrica brevemente y manténgalo presionado otra vez.

## Solución de problemas para la función de activación inalámbrica

Antes de solicitar reparaciones, realice su propia inspección en primer lugar. Si encuentra un problema que no está explicado en el manual, no intente desmontar la herramienta. En su lugar, pregunte en los centros de servicio autorizados Makita, utilizando siempre piezas de recambio Makita para las reparaciones.

Estado de anomalía	Causa probable (mal funcionamiento)	Remedio
La lámpara de activación inalámbrica no se ilumina/parpadea.	La unidad inalámbrica no está instalada en la herramienta. La unidad inalámbrica está instalada incorrectamente en la herramienta.	Instale la unidad inalámbrica correctamente.
	El terminal de la unidad inalámbrica y/o la ranura están sucios.	Retire con cuidado el polvo y la suciedad del terminal de la unidad inalámbrica y limpie la ranura.
	El botón de activación inalámbrica en la herramienta no ha sido presionado.	Presione el botón de activación inalámbrica en la herramienta brevemente.
	El interruptor de espera del aspirador no está ajustado a "AUTO".	Ajuste el interruptor de espera del aspirador a "AUTO".
	No se está suministrando alimentación.	Suministre alimentación a la herramienta y al aspirador.
No se puede terminar el registro de herramienta / cancelación del registro de herramienta correctamente.	La unidad inalámbrica no está instalada en la herramienta. La unidad inalámbrica está instalada incorrectamente en la herramienta.	Instale la unidad inalámbrica correctamente.
	El terminal de la unidad inalámbrica y/o la ranura están sucios.	Retire con cuidado el polvo y la suciedad del terminal de la unidad inalámbrica y limpie la ranura.
	El interruptor de espera del aspirador no está ajustado a "AUTO".	Ajuste el interruptor de espera del aspirador a "AUTO".
	No se está suministrando alimentación.	Suministre alimentación a la herramienta y al aspirador.
	Operación incorrecta	Presione el botón de activación inalámbrica brevemente y realice los procedimientos de registro/cancelación de herramienta otra vez.
	La herramienta y el aspirador están alejados uno del otro (fuera del rango de transmisión).	Ponga la herramienta y el aspirador más cerca uno del otro. La distancia de transmisión es de aproximadamente 10 m, sin embargo, podrá variar de acuerdo con las circunstancias.
	Antes de terminar el registro/cancelación de herramienta; - se aprieta el interruptor de la herramienta o; - se activa el botón de alimentación del aspirador.	Presione el botón de activación inalámbrica brevemente y realice los procedimientos de registro/cancelación de herramienta otra vez.
	Los procedimientos de registro de herramienta para la herramienta o el aspirador no han terminado.	Realice los procedimientos de registro de herramienta para la herramienta y el aspirador en el mismo momento.
Interferencia de radio de otros aparatos que generan ondas de radio de alta intensidad.	Mantenga la herramienta y el aspirador alejados de aparatos tales como dispositivos Wi-Fi y hornos de microondas.	

Estado de anomalía	Causa probable (mal funcionamiento)	Remedio
El aspirador no se pone en marcha junto con la operación del interruptor de la herramienta.	La unidad inalámbrica no está instalada en la herramienta. La unidad inalámbrica está instalada incorrectamente en la herramienta.	Instale la unidad inalámbrica correctamente.
	El terminal de la unidad inalámbrica y/o la ranura están sucios.	Retire con cuidado el polvo y la suciedad del terminal de la unidad inalámbrica y limpie la ranura.
	El botón de activación inalámbrica en la herramienta no ha sido presionado.	Presione el botón de activación inalámbrica brevemente y asegúrese de que la lámpara de activación inalámbrica está parpadeando en azul.
	El interruptor de espera del aspirador no está ajustado a "AUTO".	Ajuste el interruptor de espera del aspirador a "AUTO".
	Hay más de 10 herramientas registradas en el aspirador.	Realice el registro de herramienta otra vez. Si hay más de 10 herramientas registradas en el aspirador, la herramienta que más tiempo lleve registrada se cancelará automáticamente.
	El aspirador borró todos los registros de herramienta.	Realice el registro de herramienta otra vez.
	No se está suministrando alimentación.	Suministre alimentación a la herramienta y al aspirador.
	La herramienta y el aspirador están alejados uno del otro (fuera del rango de transmisión).	Ponga la herramienta y el aspirador más cerca uno del otro. La distancia de transmisión es de aproximadamente 10 m, sin embargo, podrá variar de acuerdo con las circunstancias.
	Interferencia de radio de otros aparatos que generan ondas de radio de alta intensidad.	Mantenga la herramienta y el aspirador alejados de aparatos tales como dispositivos Wi-Fi y hornos de microondas.
El aspirador se pone en marcha mientras la herramienta no está funcionando.	Otros usuarios están utilizando la activación inalámbrica del aspirador con sus herramientas.	Desactive el botón de activación inalámbrica de las otras herramientas o cancele el registro de herramienta de las otras herramientas.

## MANTENIMIENTO

**⚠️ PRECAUCIÓN:** Asegúrese siempre de que la herramienta está apagada y de que el cartucho de batería está retirado antes de intentar hacer una inspección o mantenimiento.

**AVISO:** No utilice nunca gasolina, bencina, disolvente, alcohol o similares. Podría producir descoloración, deformación o grietas.

Para mantener la SEGURIDAD y FIABILIDAD del producto, las reparaciones, y cualquier otra tarea de mantenimiento o ajuste deberán ser realizadas en centros de servicio o de fábrica autorizados por Makita, empleando siempre repuestos Makita.

### Limpeza de las aberturas de descarga de virutas

Limpe las aberturas de descarga de virutas regularmente.  
Utilice aire comprimido para limpiar las aberturas de descarga de virutas obstruidas.

## Afilado de las cuchillas

### Para cuchillas de cepillo convencionales solamente

Mantenga siempre sus cuchillas de cepillo afiladas para obtener el mejor rendimiento. Utilice el soporte de afilado (accesorio opcional) para rectificar los bordes de la cuchilla de cepillo de forma segura y eficaz.

► **Fig.57:** 1. Soporte de afilado 2. Cuchilla

1. Afloje las dos tuercas de mariposa del soporte de afilado.

2. Vuelva a deslizar los extremos de las cuchillas de cepillo en las muescas de montaje a tope con los bordes cortantes que van a ser afilados orientados hacia abajo.

► **Fig.58:** 1. Soporte de afilado 2. Tuerca de mariposa 3. Cuchilla 4. Borde cortante 5. Ranuras de montaje 6. Cabeza de perno

3. Apriete las tuercas de mariposa para sujetar las cuchillas de cepillo en su sitio.

4. Remoje una piedra de afilar en agua durante 2 o 3 minutos antes de afilar.

5. Sujete el soporte de afilado firmemente, y ponga los bordes cortantes con cuidado encima de la superficie de la piedra de afilar.

6. Afile los bordes cortantes moviendo el soporte de afilado hacia atrás y hacia delante.

► **Fig.59**

# ACCESORIOS OPCIONALES

**⚠PRECAUCIÓN:** Estos accesorios o aditamentos están recomendados para su uso con la herramienta Makita especificada en este manual.

El uso de cualquier otro accesorio o aditamento puede suponer un riesgo de heridas personales. Utilice el accesorio o aditamento solamente con la finalidad indicada para el mismo.

Si necesita cualquier ayuda para más detalles en relación con estos accesorios, pregunte al centro de servicio Makita local.

- Cuchilla de cepillo de acero de velocidad alta
- Cuchilla de cepillo de carburo de tungsteno (Para vida de servicio más larga de la cuchilla)
- Mini cuchilla de cepillo
- Conjunto de soporte de afilado
- Conjunto de calibrador de cuchilla
- Juego de placa de posición
- Conjunto de regla guía
- Piedra de acondicionamiento
- Conjunto de bolsa de polvo
- Codo
- Conjunto de regla de achaflanado
- Unidad inalámbrica
- Batería y cargador genuinos de Makita

**NOTA:** Algunos elementos de la lista podrán estar incluidos en el paquete de la herramienta como accesorios estándar. Pueden variar de un país a otro.

## ESPECIFICAÇÕES

Modelo:	KP001G
Largura da superfície aplainada	82 mm
Profundidade da superfície aplainada	4 mm
Profundidade da superfície sobreposta	25 mm
Velocidade sem carga	15.000 min <sup>-1</sup>
Comprimento total (com BL4040)	385 mm
Tensão nominal	C.C. 36 V - 40 V máx.
Peso líquido	3,7 - 4,9 kg

- Devido a um programa contínuo de pesquisa e desenvolvimento, estas especificações estão sujeitas a alteração sem aviso prévio.
- As especificações e a bateria podem variar de país para país.
- O peso poderá diferir em função do acessório(s), incluindo a bateria. A combinação mais leve e mais pesada, de acordo com o Procedimento EPTA 01/2014, é apresentada na tabela.

### Bateria e carregador aplicável

Bateria	BL4020* / BL4025* / BL4040* / BL4050F / BL4080F *: Bateria recomendada
Carregador	DC40RA / DC40RB / DC40RC

- Algumas das baterias e carregadores listados acima poderão não estar disponíveis, dependendo da sua região de residência.

**⚠AVISO:** Utilize apenas as baterias e carregadores listados acima. A utilização de quaisquer outras baterias e carregadores pode causar ferimentos e/ou um incêndio.

### Utilização a que se destina

A ferramenta serve para aplainar madeira.

### Ruído

A característica do nível de ruído A determinado de acordo com a EN62841-2-14:

Nível de pressão acústica ( $L_{pA}$ ): 90 dB (A)

Nível de potência acústica ( $L_{WA}$ ): 98 dB (A)

Variabilidade (K): 3 dB (A)

**NOTA:** O(s) valor(es) da emissão de ruído indicado(s) foi medido de acordo com um método de teste padrão e pode ser utilizado para comparar duas ferramentas.

**NOTA:** O(s) valor(es) da emissão de ruído indicado(s) pode também ser utilizado na avaliação preliminar da exposição.

**⚠AVISO:** Utilize protetores auriculares.

**⚠AVISO:** A emissão de ruído durante a utilização real da ferramenta elétrica pode diferir do(s) valor(es) indicado(s), dependendo das formas como a ferramenta é utilizada, especialmente o tipo de peça de trabalho que é processada.

**⚠AVISO:** Certifique-se de identificar as medidas de segurança para proteção do operador que sejam baseadas em uma estimativa de exposição em condições reais de utilização (considerando todas as partes do ciclo de operação, tal como quando a ferramenta está desligada e quando está a funcionar em marcha lenta além do tempo de acionamento).

### Vibração

Valor total da vibração (soma vetorial tri-axial) determinado de acordo com a EN62841-2-14:

Modo de trabalho: desbaste de superfície

Emissão de vibração ( $a_{hv}$ ): 4,3 m/s<sup>2</sup>

Variabilidade (K): 1,5 m/s<sup>2</sup>

**NOTA:** O(s) valor(es) total(ais) de vibração indicado(s) foi medido de acordo com um método de teste padrão e pode ser utilizado para comparar duas ferramentas.

**NOTA:** O(s) valor(es) total(ais) de vibração indicado(s) pode também ser utilizado na avaliação preliminar da exposição.

**⚠AVISO:** A emissão de vibração durante a utilização real da ferramenta elétrica pode diferir do(s) valor(es) indicado(s), dependendo das formas como a ferramenta é utilizada, especialmente o tipo de peça de trabalho que é processada.

**⚠AVISO:** Certifique-se de identificar as medidas de segurança para proteção do operador que sejam baseadas em uma estimativa de exposição em condições reais de utilização (considerando todas as partes do ciclo de operação, tal como quando a ferramenta está desligada e quando está a funcionar em marcha lenta além do tempo de acionamento).

## Declarações de conformidade

### *Apenas para os países europeus*

As Declarações de conformidade estão incluídas no Anexo A deste manual de instruções.

## AVISOS DE SEGURANÇA

### Avisos gerais de segurança para ferramentas elétricas

**⚠️ AVISO:** Leia todos os avisos de segurança, instruções, ilustrações e especificações fornecidos com esta ferramenta elétrica. O não cumprimento de todas as instruções indicadas em baixo pode resultar em choque elétrico, incêndio e/ou ferimentos graves.

### Guarde todos os avisos e instruções para futuras referências.

O termo "ferramenta elétrica" nos avisos refere-se às ferramentas elétricas ligadas à corrente elétrica (com cabo) ou às ferramentas elétricas operadas por meio de bateria (sem cabo).

### Avisos de segurança da plaina a bateria

1. **Aguarde que o cortador pare antes de colocar a ferramenta em baixo.** Um cortador rotativo exposto pode prender na superfície levando a possível perda de controlo e a ferimentos graves.
2. **Utilize braçadeiras ou outra forma prática de fixar e suportar a peça de trabalho numa plataforma estável.** Segurar a peça de trabalho com a mão ou contra o corpo deixa-a instável e pode levar a perda de controlo.
3. **Os trapos, panos, cabos, cordas e outros semelhantes não devem ser deixados junto da área de trabalho.**
4. **Evite cortar pregos.** Inspeccione e remova todos os pregos da peça de trabalho antes da operação.
5. **Utilize apenas lâminas afiadas.** Manuseie as lâminas com extremo cuidado.
6. **Certifique-se de que os parafusos de instalação da lâmina estão bem apertados antes da operação.**
7. **Segure a ferramenta firmemente com as duas mãos.**
8. **Mantenha as mãos afastadas das peças rotativas.**
9. **Antes de utilizar a ferramenta numa peça de trabalho real, deixe-a a funcionar durante algum tempo.** Verifique se existem vibrações ou movimentos irregulares que possam indicar má instalação ou uma lâmina mal equilibrada.
10. **Certifique-se de que a lâmina não está em contacto com a peça de trabalho antes de o interruptor ser ligado.**

11. **Aguarde até a lâmina atingir a velocidade máxima antes de cortar.**
12. **Desligue sempre e espere que as lâminas parem completamente antes de ajustar a profundidade de corte.**
13. **Nunca leve o seu dedo até ao separador de aparas.** O separador pode encravar quando cortar madeira húmida. Limpe as aparas com um pau.
14. **Não deixe a ferramenta a funcionar.** Opere a ferramenta apenas quando a tiver nas mãos.
15. **Quando substituir as lâminas ou algumas peças do tambor, certifique-se de que substitui as peças em ambos os lados do tambor como um conjunto.** Caso contrário, o desequilíbrio resultante provocará vibrações e uma menor vida útil da ferramenta.
16. **Utilize apenas lâminas Makita especificadas neste manual.**
17. **Utilize sempre a máscara contra o pó/respirador correto relativamente ao material e à aplicação em que está a trabalhar.**
18. **Utilize a ferramenta numa condição estável.** O funcionamento numa condição instável pode causar danos ou ferimentos.

## GUARDE ESTAS INSTRUÇÕES.

**⚠️ AVISO:** NÃO permita que o conforto ou a familiaridade com o produto (adquirido com o uso repetido) substitua a adesão estrita às regras de segurança da ferramenta.

A MÁ INTERPRETAÇÃO ou o não seguimento das regras de segurança estabelecidas neste manual de instruções pode causar danos pessoais graves.

## Instruções de segurança importantes para a bateria

1. **Antes de utilizar a bateria, leia todas as instruções e etiquetas de precaução no (1) carregador de bateria (2) bateria e (3) produto que utiliza a bateria.**
2. **Não desmonte ou manipule a bateria.** Pode resultar num incêndio, em calor excessivo ou numa explosão.
3. **Se o tempo de funcionamento se tornar excessivamente curto, pare o funcionamento imediatamente.** Pode resultar em sobreaquecimento, possíveis queimaduras e mesmo explosão.
4. **Se entrar eletrólito nos seus olhos, lave-os com água e consulte imediatamente um médico.** Pode resultar em perda de visão.
5. **Não coloque a bateria em curto-circuito:**
  - (1) Não toque nos terminais com qualquer material condutor.
  - (2) Evite guardar a bateria juntamente com outros objetos metálicos tais como pregos, moedas, etc.
  - (3) Não exponha a bateria à água ou chuva. Um curto-circuito pode ocasionar um enorme fluxo de corrente, sobreaquecimento, possíveis queimaduras e mesmo estragar-se.

6. Não guarde nem utilize a ferramenta e a bateria em locais onde a temperatura pode atingir ou exceder 50 °C.
7. Não queime a bateria mesmo que esteja estragada ou completamente gasta. A bateria pode explodir no fogo.
8. Não preegue, corte, esmague, atire, deixe cair a bateria, nem bata a bateria contra um objeto rijo. Esta conduta pode resultar num incêndio, em calor excessivo ou numa explosão.
9. Não utilize uma bateria danificada.
10. As baterias de íões de lítio contidas na ferramenta são sujeitas aos requisitos da DGL (Dangerous Goods Legislation - Legislação de bens perigosos).  
Para o transporte comercial, por exemplo, por terceiros ou agentes de expedição, têm de ser observados os requisitos referentes à embalagem e etiquetagem.  
Para preparação do artigo a ser expedido, é necessário consultar um perito em materiais perigosos. Tenha ainda em conta a possibilidade de existirem regulamentos nacionais mais detalhados.  
Coloque fita-cola ou tape os contactos abertos e embale a bateria de tal forma que não possa mover-se dentro da embalagem.
11. Quando eliminar a bateria, remova-a da ferramenta e elimine-a num local seguro. Siga os regulamentos locais relacionados com a eliminação de baterias.
12. Utilize as baterias apenas com os produtos especificados pela Makita. Instalar as baterias em produtos não-conformes poderá resultar num incêndio, calor excessivo, explosão ou fuga de eletrólito.
13. Se a ferramenta não for utilizada durante um período de tempo prolongado, a bateria deve ser removida da ferramenta.
14. Durante e após a utilização, a bateria pode aquecer, o que pode provocar queimaduras ou queimaduras a baixa temperatura. Preste atenção ao manuseamento de baterias quentes.
15. Não toque no terminal da ferramenta imediatamente após a utilização, pois pode ficar suficientemente quente para provocar queimaduras.
16. Não permita a adesão de aparas, pó ou sujidade nos terminais, nos orifícios e nas ranhuras da bateria. Poderá fazer com que a ferramenta ou a bateria aqueça, incendeie, rebente e avarie, resultando em queimaduras ou ferimentos corporais.
17. A menos que a ferramenta suporte a utilização perto de linhas elétricas de alta tensão, não utilize a bateria perto de linhas elétricas de alta tensão. Pode resultar no mau funcionamento ou na avaria da ferramenta ou bateria.
18. Mantenha a bateria afastada das crianças.

## **GUARDE ESTAS INSTRUÇÕES.**

**⚠PRECAUÇÃO:** Utilize apenas baterias genuínas da Makita. A utilização de baterias não genuínas da Makita ou de baterias que foram alteradas, pode resultar no reventamento da bateria provocando incêndios, ferimentos pessoais e danos. Além disso, anulará da garantia da Makita no que se refere à ferramenta e ao carregador Makita.

## **Conselhos para manter a máxima vida útil da bateria**

1. Carregue a bateria antes que esteja completamente descarregada. Pare sempre o funcionamento da ferramenta e carregue a bateria quando notar menos poder na ferramenta.
2. Nunca carregue uma bateria completamente carregada. Carregamento excessivo diminui a vida útil da bateria.
3. Carregue a bateria à temperatura ambiente de 10 °C – 40 °C. Deixe que uma bateria quente arrefeça antes de a carregar.
4. Quando não utilizar a bateria, remova-a da ferramenta ou do carregador.
5. Carregue a bateria se não a utilizar durante um longo período de tempo (mais de seis meses).

## **Instruções de segurança importantes para a unidade sem fios**

1. Não desmonte ou manipule a unidade sem fios.
2. Mantenha a unidade sem fios afastada das crianças. Se ocorrer a ingestão accidental, procure imediatamente cuidados médicos.
3. Utilize a unidade sem fios apenas com ferramentas Makita.
4. Não exponha a unidade sem fios à chuva ou a condições húmidas.
5. Não utilize a unidade sem fios em locais onde a temperatura excede 50 °C.
6. Não utilize a unidade sem fios em locais próximos de instrumentos médicos, tais como estimuladores cardíacos.
7. Não utilize a unidade sem fios em locais próximos de dispositivos automatizados. Se utilizada, os dispositivos automatizados podem desenvolver anomalias ou erros.
8. Não utilize a unidade sem fios em locais sob temperaturas altas ou locais nos quais possa ser gerada eletricidade estática ou ruído elétrico.
9. A unidade sem fios pode produzir campos eletromagnéticos (CEM) mas estes não são nocivos para o utilizador.
10. A unidade sem fios é um instrumento preciso. Tenha cuidado para não deixar cair a unidade sem fios nem bater nesta.
11. Evite tocar no terminal da unidade sem fios com as mãos desprotegidas ou com materiais metálicos.



12. Retire sempre a bateria do produto quando instalar a unidade sem fios.
13. Quando abrir a tampa da ranhura, evite o local no qual a poeira e a água podem entrar para a ranhura. Mantenha sempre a entrada da ranhura limpa.
14. Insira sempre a unidade sem fios na direção correta.
15. Não pressione o botão de ativação sem fios na unidade sem fios com demasiada força e/ou pressione o botão com um objeto com aresta afiada.
16. Feche sempre a tampa da ranhura quando utilizar a ferramenta.
17. Não remova a unidade sem fios da ranhura enquanto estiver a ser fornecida alimentação elétrica à ferramenta. Fazê-lo pode causar a anomalia da unidade sem fios.
18. Não remova o adesivo da unidade sem fios.
19. Não coloque qualquer adesivo na unidade sem fios.
20. Não deixe a unidade sem fios num local em que possa ser gerada eletricidade estática ou ruído elétrico.
21. Não deixe a unidade sem fios num local sujeito a calor intenso, tal como um veículo exposto ao sol.
22. Não deixe a unidade sem fios num local poeirento ou pulverulento ou num local onde possa ser gerado gás corrosivo.
23. A mudança súbita da temperatura pode molhar a unidade sem fios com condensação. Não utilize a unidade sem fios até que a condensação esteja completamente seca.
24. Quando limpar a unidade sem fios, limpe-a suavemente com um pano macio e seco. Não utilize benzina, diluente, massa lubrificante condutora ou similar.
25. Quando armazenar a unidade sem fios, guarde-a na caixa fornecida ou num recipiente anti-estática.
26. Não insira quaisquer dispositivos diferentes da unidade sem fios Makita na ranhura na ferramenta.
27. Não utilize a ferramenta com a tampa da ranhura danificada. A entrada de água, poeira e sujidade na ranhura pode causar o mau funcionamento.
28. Não puxe e/ou torça a tampa da ranhura além do necessário. Recoloque a tampa se esta sair da ferramenta.
29. Substitua a tampa da ranhura se a perder ou danificar.

## GUARDE ESTAS INSTRUÇÕES.

## DESCRIÇÃO FUNCIONAL

**⚠️PRECAUÇÃO:** Certifique-se sempre de que a ferramenta está desligada e a bateria foi retirada antes de regular ou verificar qualquer função na ferramenta.

## Instalação ou remoção da bateria

**⚠️PRECAUÇÃO:** Desligue sempre a ferramenta antes de colocar ou retirar a bateria.

**⚠️PRECAUÇÃO:** Segure firmemente a ferramenta e a bateria quando instalar ou remover a bateria. Se não segurar firmemente a ferramenta e a bateria pode fazer com que escorreguem das suas mãos resultando em danos na ferramenta e na bateria e ferimentos pessoais.

► Fig.1: 1. Indicador vermelho 2. Botão 3. Bateria

Para retirar a bateria, deslize-a para fora da ferramenta enquanto desliza o botão na frente da bateria.

Para instalar a bateria, alinhe a lingueta na bateria com a ranhura na caixa e deslize-a para a posição correta. Insira-a por completo até bloquear na posição correta com um pequeno clique. Se conseguir ver o indicador vermelho conforme apresentado na figura, não está completamente bloqueada.

**⚠️PRECAUÇÃO:** Instale sempre a bateria até ao fim, até deixar de ver o indicador vermelho. Caso contrário, a bateria poderá cair da ferramenta acidentalmente e provocar ferimentos em si mesmo ou em alguém próximo.

**⚠️PRECAUÇÃO:** Não instale a bateria à força. Se a bateria não deslizar facilmente é porque não foi colocada corretamente.

## Sistema de proteção da ferramenta/bateria

A ferramenta está equipada com um sistema de proteção da ferramenta/bateria. Este sistema corta automaticamente a corrente para o motor para aumentar a vida da ferramenta e da bateria. A ferramenta para automaticamente durante o funcionamento se a ferramenta ou bateria for colocada mediante uma das seguintes condições:

### Proteção contra sobrecarga

Quando a ferramenta/bateria é operada de uma forma que causa a absorção de uma corrente anormalmente alta, a ferramenta para automaticamente. Nesta situação, desligue a ferramenta e pare a aplicação que causou a sobrecarga da ferramenta. De seguida, ligue a ferramenta para reiniciar.

### Proteção contra sobreaquecimento

Quando a ferramenta/bateria fica sobreaquecida, a ferramenta para automaticamente. Neste caso, deixe a ferramenta/bateria arrefecer antes de voltar a ligar a ferramenta.

## Proteção contra descarga excessiva

Quando a capacidade da bateria não é suficiente, a ferramenta para automaticamente. Neste caso, retire a bateria da ferramenta e carregue-a.

## Proteções contra outras causas

O sistema de proteção foi também concebido para outras causas que possam danificar a ferramenta e permite à ferramenta parar automaticamente. Tome todas as medidas que se seguem para eliminar as causas quando a ferramenta tiver parado ou interrompido temporariamente a operação.












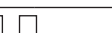



1. Desligue a ferramenta e, em seguida, volte a ligá-la para reiniciar.
2. Carregue a(s) bateria(s) ou substitua-a(s) por bateria(s) recarregada(s).
3. Deixe a ferramenta e a(s) bateria(s) arrefecerem.

Se não for possível constatar qualquer melhoria através do restauro do sistema de proteção, contacte o centro de assistência Makita local.

## Indicação da capacidade restante da bateria

Prima o botão de verificação na bateria para indicar a capacidade restante da bateria. As luzes indicadoras acendem durante alguns segundos.

► **Fig.2:** 1. Luzes indicadoras 2. Botão de verificação

Luzes indicadoras			Capacidade restante
 Aceso	 Apagado	 A piscar	
			75% a 100%
			50% a 75%
			25% a 50%
			0% a 25%
			Carregar a bateria.
			A bateria pode estar avariada.
			

**NOTA:** Dependendo das condições de utilização e da temperatura ambiente, a indicação pode ser ligeiramente diferente da capacidade real.

**NOTA:** A primeira luz indicadora (extremo esquerdo) pisca quando o sistema de proteção da bateria funciona.

## Ajustar a profundidade de corte

**⚠PRECAUÇÃO:** Desligue sempre e espere que as lâminas parem completamente antes de ajustar a profundidade de corte.

**NOTA:** Quando rodar o botão de ajuste da profundidade, certifique-se de que segura a pega firmemente com a outra mão.

A profundidade de corte pode ser ajustada rodando o botão de ajuste da profundidade na parte dianteira da ferramenta. Rode o botão para alinhar a seta com a profundidade de corte pretendida na régua de profundidade.

► **Fig.3:** 1. Botão de ajuste da profundidade 2. Seta 3. Régua de profundidade

## Ação do interruptor

**⚠AVISO:** Antes de colocar a bateria na ferramenta, verifique sempre se o gatilho do interruptor funciona corretamente e volta para a posição "OFF" quando libertado.

**⚠AVISO:** NUNCA tente anular o botão de desbloqueio dando-lhe pancadas para baixo nem por qualquer outro meio. Um interruptor com um botão de desbloqueio anulado pode resultar em operação não intencional e em ferimentos pessoais graves.

**⚠AVISO:** NUNCA utilize a ferramenta se ela funcionar premindo apenas o gatilho, sem ter de carregar no botão de desbloqueio. Um interruptor que necessita de reparação pode resultar em operação não intencional e em ferimentos pessoais graves. Envie a ferramenta para um centro de assistência da Makita para receber uma reparação adequada ANTES de voltar a utilizá-la.

**OBSERVAÇÃO:** Não carregue a fundo o gatilho sem pressionar o botão de segurança. Esta ação pode estragar o interruptor.

Para evitar que o gatilho do interruptor seja puxado acidentalmente, existe o botão de desbloqueio. Para arrancar a ferramenta, pressione e mantenha pressionado o botão de desbloqueio e, em seguida, puxe o gatilho do interruptor. Solte o gatilho do interruptor para parar.

► **Fig.4:** 1. Gatilho do interruptor 2. Botão de desbloqueio

## Pé

O pé salta para fora da base traseira quando levanta a ferramenta das superfícies de trabalho para evitar que as lâminas de plaina toquem diretamente na peça de trabalho. Tal evita danos acidentais nas lâminas de plaina quando não estiverem em utilização.

O pé volta a saltar para a base traseira sempre que coloca a base da ferramenta sobre as superfícies de trabalho.

► **Fig.5:** 1. Lâmina da plaina 2. Base traseira 3. Pé 4. Superfície de trabalho

## Função de prevenção de reinício acidental

Se instalar a bateria ao mesmo tempo que puxa o gatilho do interruptor, a ferramenta não arranca. Para arrancar a ferramenta, solte o gatilho do interruptor e, em seguida, puxe novamente o gatilho do interruptor enquanto pressiona o botão de desbloqueio.

## Função eletrônica

A ferramenta está equipada com as seguintes funções eletrônicas para operação fácil.

## Travão elétrico

A ferramenta está equipada com um travão elétrico. Se a ferramenta constantemente não parar rapidamente após a libertação do gatilho do interruptor, solicite a reparação da ferramenta no centro de assistência da Makita local.

## Funcionalidade de arranque suave

A função de arranque suave minimiza o choque de arranque e faz com que a ferramenta arranque suavemente.

# MONTAGEM

**⚠️ PRECAUÇÃO:** Certifique-se sempre de que a ferramenta está desligada e a bateria retirada antes de executar qualquer trabalho na ferramenta.

## Armazenamento da chave de caixa

Quando não estiver a ser usada, guarde a chave de caixa conforme ilustrado na figura para evitar que se perca.

► **Fig.6:** 1. Chave de caixa

## Remover e instalar as lâminas de plaina

**⚠️ PRECAUÇÃO:** Aperte os pernos de instalação da lâmina com cuidado quando fixar as lâminas de plaina na ferramenta. Verifique sempre se estes estão firmemente apertados. Deixar um perno de instalação solto pode ser perigoso.

**⚠️ PRECAUÇÃO:** Manuseie as lâminas de plaina com extremo cuidado. Utilize luvas ou trapos para proteger os dedos ou as mãos quando remover e instalar as lâminas de plaina.

**⚠️ PRECAUÇÃO:** Utilize apenas a chave Makita fornecida para remover e instalar as lâminas de plaina. O não cumprimento desta indicação pode resultar em aperto excessivo ou aperto insuficiente dos pernos de instalação. Tal pode provocar ferimentos.

**OBSERVAÇÃO:** Para instalar as lâminas da plaina, limpe todas as aparas ou matérias estranhas coladas ao tambor ou às lâminas da plaina. Utilize lâminas da plaina com as mesmas dimensões e pesos; caso contrário, resultará em oscilação/vibração do tambor provocando uma ação de aplainamento fraca e a quebra da ferramenta.

## Para ferramentas com lâminas de plaina convencionais

**NOTA:** Está montado um par de lâminas de plaina no tambor. Repita os seguintes procedimentos para cada lâmina da plaina.

### Remover as lâminas de plaina convencionais

1. Desaperte os pernos de instalação do tambor com a chave de caixa fornecida.
2. Desmonte a chapa do tambor e a lâmina da plaina convencional (com chapa de ajuste) do tambor.  
► **Fig.7:** 1. Perno de instalação 2. Chapa do tambor 3. Lâmina convencional (com chapa de ajuste) 4. Tambor
3. Desaperte os parafusos da lâmina da plaina convencional e, em seguida, remova a chapa de ajuste.  
► **Fig.8:** 1. Parafusos 2. Lâmina da plaina convencional 3. Chapa de ajuste

### Instalar as lâminas de plaina convencionais

1. Coloque uma lâmina da plaina convencional no calibre da lâmina, alinhando o respetivo bordo cortante ao longo da parede de guia no calibre da lâmina horizontalmente.  
► **Fig.9:** 1. Lâmina da plaina convencional 2. Calibre da lâmina 3. Bordo cortante 4. Parede de guia
2. Coloque a chapa de ajuste sobre a lâmina da plaina convencional e, em seguida, aperte ligeiramente os parafusos.
3. Empurre a chapa de ajuste para a frente até a respetiva guia de posicionamento encaixar clara e totalmente ao longo da parede lateral traseira do calibre da lâmina.
4. Segure a chapa de ajuste onde se encontra e aperte os parafusos para a fixar no devido lugar.  
► **Fig.10:** 1. Chapa de ajuste 2. Lâmina da plaina convencional 3. Parafuso 4. Guia de posicionamento 5. Parede lateral traseira 6. Calibre da lâmina
5. Limpe todas as aparas de madeira e matérias estranhas que tenham aderido ao tambor e à lâmina da plaina convencional.
6. Faça deslizar a guia de posicionamento da chapa de ajuste para a ranhura de guia no tambor e, em seguida, coloque a chapa do tambor sobre a lâmina da plaina convencional (com chapa de ajuste).
7. Aperte em cruz todos os pernos de instalação de forma uniforme com a chave de caixa.  
► **Fig.11:** 1. Guia de posicionamento 2. Chapa de ajuste 3. Ranhura de guia 4. Tambor 5. Chapa do tambor 6. Lâmina da plaina convencional 7. Perno de instalação

## Para ferramentas com minilâminas de plaina

**NOTA:** Está montado um par de lâminas de plaina no tambor. Repita os seguintes procedimentos para cada lâmina da plaina.

### Remover as minilâminas de plaina

1. Desaperte os pernos de instalação uma volta com a chave de caixa fornecida.

► **Fig.12:** 1. Perno de instalação 2. Chave de caixa

2. Faça deslizar a minilâmina da plaina para fora do tambor pressionando uma extremidade da lâmina para fora a partir do lado da tampa da correia.

► **Fig.13:** 1. Minilâmina da plaina 2. Tambor 3. Tampa da correia 4. Pega em T da chave de caixa

**NOTA:** Utilize as extremidades da pega em T da chave de caixa para fazer deslizar a minilâmina da plaina para fora para uma operação e uma manutenção mais seguras.

### Instalar as minilâminas de plaina

1. Limpe todas as aparas de madeira e matérias estranhas que tenham aderido ao tambor e à minilâmina da plaina.

2. Faça deslizar uma minilâmina da plaina para diante entre o tambor e a chapa de assentamento pressionando uma extremidade da lâmina para dentro a partir do lado oposto à tampa da correia.

3. Aperte em cruz todos os pernos de instalação de forma uniforme com a chave de caixa.

► **Fig.14:** 1. Minilâmina da plaina 2. Tambor 3. Chapa de assentamento 4. Tampa da correia 5. Perno de instalação 6. Chave de caixa

### Calibração da minilâmina da plaina

Efetue uma calibração nas lâminas de plaina em intervalos regulares para otimizar a eficiência do trabalho.

1. Desaperte os pernos de instalação uma volta com a chave de caixa fornecida.

2. Faça deslizar a minilâmina da plaina para fora do tambor pressionando uma extremidade da lâmina para fora a partir do lado da tampa da correia.

3. Desaperte os pernos de instalação do tambor com a chave de caixa.

4. Desmonte a chapa do tambor e a chapa de assentamento (com chapa de ajuste) do tambor.

► **Fig.15:** 1. Perno de instalação 2. Chapa do tambor 3. Chapa de assentamento (com chapa de ajuste) 4. Tambor

5. Desaperte os parafusos na chapa de assentamento uma volta para desengatar a chapa de ajuste.

► **Fig.16:** 1. Parafusos 2. Chapa de assentamento 3. Chapa de ajuste

6. Limpe todas as aparas de madeira e matérias estranhas que tenham aderido à chapa de assentamento (com chapa de ajuste) e à minilâmina da plaina.

7. Coloque a minilâmina da plaina no calibre da lâmina, alinhando o respetivo bordo cortante ao longo da parede de guia no calibre da lâmina horizontalmente.

8. Coloque a chapa de assentamento (com chapa de ajuste) sobre a minilâmina da plaina, alinhando as estrias de guia na chapa de assentamento com as ranhuras de guia na minilâmina da plaina.

► **Fig.17:** 1. Minilâmina da plaina 2. Calibre da lâmina 3. Bordo cortante 4. Parede de guia 5. Chapa de assentamento (com chapa de ajuste) 6. Estria de guia 7. Ranhura de guia

9. Empurre a chapa de ajuste para a frente até a respetiva guia de posicionamento encaixar clara e totalmente ao longo da parede lateral traseira do calibre da lâmina.

10. Segure a chapa de ajuste onde se encontra e aperte os parafusos para a fixar no devido lugar.

► **Fig.18:** 1. Chapa de ajuste 2. Chapa de assentamento 3. Parafuso 4. Guia de posicionamento 5. Parede lateral traseira 6. Calibre da lâmina

11. Faça deslizar a guia de posicionamento da chapa de ajuste para a ranhura de guia no tambor e, em seguida, coloque a chapa do tambor sobre a chapa de assentamento (com chapa de ajuste).

► **Fig.19:** 1. Guia de posicionamento 2. Chapa de ajuste 3. Ranhura de guia 4. Tambor 5. Chapa do tambor 6. Chapa de assentamento 7. Perno de instalação

12. Aperte ligeiramente os pernos de instalação e faça deslizar a minilâmina da plaina para diante entre o tambor e a chapa de assentamento pressionando uma extremidade da lâmina para dentro a partir do lado oposto à tampa da correia.

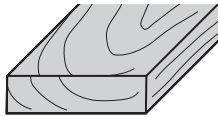
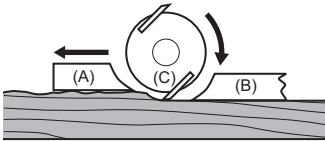
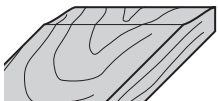
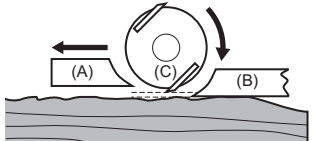

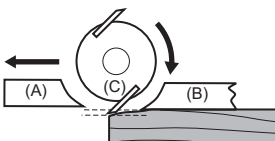
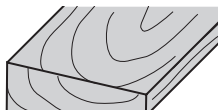
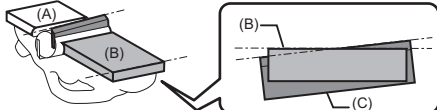
13. Aperte em cruz todos os pernos de instalação de forma uniforme com a chave de caixa.

► **Fig.20:** 1. Minilâmina da plaina 2. Tambor 3. Chapa de assentamento 4. Tampa da correia 5. Perno de instalação 6. Chave de caixa

## Definições da lâmina da plaina

A superfície a aplainar ficará áspera e irregular, a menos que as lâminas de plaina estejam instaladas adequadamente e de forma segura.

Instale as lâminas de plaina corretamente de modo que os bordos cortantes assentem num ângulo reto, num nível absoluto com a linha de base traseira, e exatamente paralelos à base da plaina. Leia os exemplos apresentados na tabela para obter as definições adequadas.

Superfície de aplainamento	Colocação da lâmina	Causa
Colocação correta 		Os bordos cortantes assentam num nível com a linha de base traseira e passam lado a lado e paralelos à base da plaina.
Goivadura no início 		Os bordos cortantes não atingem a linha de base traseira.
Goivadura no fim 		Os bordos cortantes ultrapassam a linha de base traseira.
Inclinação na superfície 		Os bordos cortantes assentam lado a lado e não paralelos à base da plaina.

(A): Base dianteira (Sapata ajustável)  
(B): Base traseira (Sapata fixa)  
(C): Lâmina da plaina

## Instalar a régua de guia

1. Pouse a ferramenta com a tampa da correia virada para cima.
2. Monte a régua de guia no devido lugar fixando-a com o parafuso de orelhas no orifício de montagem no lado da cabeça da ferramenta.

► **Fig.21:** 1. Tampa da correia 2. Régua de guia 3. Parafuso de orelhas 4. Orifício de montagem

3. Faça deslizar a guia paralela para dentro e para fora para a largura de aplainamento pretendida e, em seguida, aperte o parafuso de orelhas para a fixar na posição requerida.

► **Fig.22:** 1. Guia paralela 2. Parafuso de orelhas

## Instalar a guia de profundidade

1. Pouse a ferramenta com a tampa da correia virada para baixo.
2. Monte a guia de profundidade no devido lugar fixando-a com a anilha e o parafuso de orelhas no orifício de montagem no lado da cabeça da ferramenta.

► **Fig.23:** 1. Tampa da correia 2. Guia de profundidade 3. Anilha 4. Parafuso de orelhas 5. Orifício de montagem

3. Faça deslizar a guia de profundidade para cima e para baixo para a profundidade de aplainamento pretendida e, em seguida, aperte o parafuso de orelhas para a fixar na posição requerida.

► **Fig.24:** 1. Guia de profundidade 2. Parafuso de orelhas

## Instalar as réguas de chanfragem

### Acessório opcional

1. Pouse a ferramenta com a base dianteira virada para cima.
2. Prenda as guias paralelas nos braços de montagem, alinhando as projeções nos braços com as fendas de guia nas guias paralelas, e fixe-as com as anilhas e os parafusos de orelhas.
3. Monte as réguas de chanfragem (conjuntos de guias paralelas e braços de montagem) no devido lugar fixando-as com os parafusos de orelhas nos orifícios de montagem em ambos os lados da cabeça da ferramenta.  
► **Fig.25:** 1. Base dianteira 2. Guia paralela 3. Braço de montagem 4. Projeção 5. Fenda de guia 6. Anilha 7. Parafuso de orelhas 8. Orifício de montagem
4. Faça deslizar as guias paralelas para dentro e para fora para o intervalo de chanfragem pretendido e, em seguida, aperte os parafusos de orelhas para as fixar na posição requerida.  
► **Fig.26:** 1. Guia paralela 2. Parafuso de orelhas

## Extração de poeiras e aparas de madeira

Podem ser libertadas poeiras e aparas de madeira do lado esquerdo ou do lado direito das aberturas de descarga. Cubra uma das aberturas de descarga no lado oposto à direção de extração de poeiras preferencial com o batente.

Para desprender o batente da abertura de descarga, rode o batente para a pega ligeiramente para desengatar o bloqueio e, em seguida, desmonte-o.

► **Fig.27:** 1. Batente 2. Pega

No que diz respeito à instalação, insira o batente diretamente numa das aberturas alinhando a ranhura de bloqueio no batente com a projeção de guia na abertura até bloquear no devido lugar.

► **Fig.28:** 1. Batente 2. Ranhura de bloqueio 3. Projeção de guia

## Saco para pó

### Acessório opcional

Prenda o saco para pó numa das aberturas de descarga e pressione firmemente até ao fim. Certifique-se de que o saco para pó está firmemente colocado sobre a abertura cônica de modo a não sair durante a operação.

► **Fig.29:** 1. Saco para pó 2. Abertura de descarga

Quando o saco para pó se encontrar meio cheio, remova-o da ferramenta e retire o fixador. Esvazie o saco para pó. Bata ligeiramente no saco para pó para remover as partículas aderentes no interior, o que pode dificultar a posterior recolha.

► **Fig.30:** 1. Fixador

**NOTA:** Se ligar um aspirador Makita a esta ferramenta, é possível realizar operações mais eficientes e mais limpas.

## Ligar um aspirador

Quando pretender efetuar uma operação de aplainamento limpa, ligue um aspirador Makita à sua ferramenta. Ligue uma mangueira do aspirador a uma das aberturas de descarga conforme ilustrado na figura.

► **Fig.31:** 1. Aspirador

## Cotovelo

### Acessório opcional

Utilize um cotovelo de extração de poeiras para condensar o fluxo de ar de extração nos ângulos preferenciais para um ambiente de trabalho mais limpo. Prenda o cotovelo numa das aberturas de descarga e pressione firmemente até ao fim.

► **Fig.32:** 1. Cotovelo

## OPERAÇÃO

**⚠PRECAUÇÃO:** Segure firmemente a ferramenta com uma mão na pega do interruptor e a outra mão no botão de ajuste da profundidade quando utilizar a ferramenta.

## Operação de aplainar

1. Segure firmemente a ferramenta com as duas mãos, uma mão na pega do interruptor e a outra mão no botão de ajuste da profundidade.
2. Coloque a base dianteira da ferramenta de forma plana sobre a superfície da peça de trabalho sem que as lâminas de plaina façam qualquer contacto.
3. Ligue a ferramenta e aguarde até esta atingir a velocidade máxima.
4. Mova gentilmente a ferramenta para a frente, aplicando ligeiramente mais pressão descendente no botão de ajuste da profundidade no início de modo a manter toda a base da plaina nivelada e plana com a superfície da peça de trabalho.  
► **Fig.33**

5. Tenha cuidado para aplicar uniformemente pressão sobre a superfície da peça de trabalho no meio da operação e empurre a ferramenta continuamente para a frente.

► **Fig.34**

**NOTA:** Equilibre a pressão manual entre a pega do interruptor e o botão de ajuste da profundidade de modo que as bases dianteira e traseira entrem em contacto com a superfície da peça de trabalho.

6. Aplique um maior controlo na pega do interruptor para evitar a ultrapassagem no final de uma passagem, uma vez que a base dianteira irá cair da superfície da peça de trabalho.  
► **Fig.35**

**NOTA:** O aplainamento pode ser mais fácil se posicionar a peça de trabalho numa ligeira inclinação para a frente de modo a aliviar a pressão para segurar a ferramenta durante a operação.

**NOTA:** Ajuste a velocidade e a profundidade de corte para os acabamentos de superfície pretendidos.

Para um acabamento grosseiro, defina uma profundidade de corte suficientemente profunda na peça de trabalho.

Para um acabamento cuidado e delicado, pressione lentamente a ferramenta com uma profundidade de corte superficial e efetue mais passagens.

## Superfície sobreposta (rebaixamento)

### ► Fig.36

Utilize a régua de guia para efetuar um corte em degraus conforme apresentado na figura.

1. Instale a régua de guia e a guia de profundidade na ferramenta e fixe-as com as anilhas e os parafusos de orelhas.
  2. Ajuste a guia de profundidade para a profundidade de sobreposição e fixe-a no devido lugar com o parafuso de orelhas.
  3. Desenhe uma linha de corte na peça de trabalho e alinhe a extremidade da lâmina com a linha de corte.
- **Fig.37:** 1. Extremidade da lâmina 2. Linha de corte 3. Guia de profundidade 4. Parafuso de orelhas

**NOTA:** Certifique-se de que a extremidade da lâmina sobressai da extremidade lateral do tambor em 1,6 mm - 1,8 mm para a sobreposição. (Consulte "A" na seguinte figura.)

\* Pode optar por deixar a extremidade da lâmina sobressair da extremidade lateral da base dianteira em 0,2 mm - 0,4 mm. (Consulte "B" na seguinte figura.)

- **Fig.38:** 1. Extremidade da lâmina 2. Extremidade lateral do tambor 3. Extremidade lateral da base dianteira
4. Faça deslizar a guia paralela para dentro na régua de guia até entrar em contacto com a parede lateral da peça de trabalho. Em seguida, fixe-a no devido lugar com o parafuso de orelhas.
- **Fig.39:** 1. Régua de guia 2. Guia paralela 3. Parede lateral 4. Parafuso de orelhas
5. Efetue a operação de aplainamento movendo a ferramenta com toda a guia paralela a deslizar ao longo da parede lateral da peça de trabalho.

**NOTA:** O alcance dos comprimentos da placa de guia pode ser estendido juntando um pedaço de madeira suplementar aos orifícios de fixação na placa de guia.

- **Fig.40:** 1. Pedaço de madeira suplementar 2. Orifícios de fixação

## Chanfragem

### ► Fig.41

Utilize as ranhuras em "V" cortadas na base dianteira para efetuar um corte chanfrado conforme apresentado na figura.

Efetue a operação de aplainamento movendo a ferramenta alinhando uma das três ranhuras em "V" na base dianteira com o bordo de canto da peça de trabalho.

- **Fig.42:** 1. Ranhura em V (porção média de chanfragem) 2. Ranhura em V (porção pequena de chanfragem) 3. Ranhura em V (porção grande de chanfragem)

## Utilizar as réguas de chanfragem

### Acessório opcional

1. Faça deslizar as guias paralelas para dentro nas réguas de chanfragem até entrarem em contacto com as paredes de canto da peça de trabalho.
2. Fixe as guias paralelas no devido lugar com os parafusos de orelhas.

3. Efetue a operação de aplainamento movendo a ferramenta com todas as guias paralelas a deslizar ao longo das paredes de canto da peça de trabalho.

- **Fig.43:** 1. Régua de chanfragem 2. Guias paralelas 3. Parafuso de orelhas

**NOTA:** Para chanfros grandes, efetue mais passagens de aplainamento, a começar pela chanfragem reduzida até à chanfragem maior, conforme apresentado na figura.

- **Fig.44:** 1. Extremidade da régua de chanfragem 2. Chanfragem reduzida 3. Chanfragem grande

## FUNÇÃO DE ATIVAÇÃO SEM FIOS

### O que pode fazer com a função de ativação sem fios

A função de ativação sem fios possibilita um funcionamento limpo e confortável. Ao ligar um aspirador suportado à ferramenta, pode utilizar o aspirador automaticamente juntamente com o funcionamento por interruptor da ferramenta.

### ► Fig.45

Para utilizar a função de ativação sem fios, prepare os seguintes itens:

- Uma unidade sem fios (acessório opcional)
- Um aspirador que suporta a função de ativação sem fios

A vista geral da definição da função de ativação sem fios é a seguinte. Consulte cada secção para obter os procedimentos detalhados.

1. Instalar a unidade sem fios
2. Registo da ferramenta para o aspirador
3. Iniciar a função de ativação sem fios



## Instalar a unidade sem fios

### Acessório opcional

**⚠ PRECAUÇÃO:** Coloque a ferramenta num superfície plana e estável quando instalar a unidade sem fios.

**OBSERVAÇÃO:** Limpe a poeira e a sujidade da ferramenta antes de instalar a unidade sem fios. A poeira ou a sujidade podem causar o mau funcionamento caso entrem na ranhura da unidade sem fios.

**OBSERVAÇÃO:** Para evitar o mau funcionamento causado pela estática, toque num material de descarga estática, tal como uma peça metálica da ferramenta, antes de pegar na unidade sem fios.

**OBSERVAÇÃO:** Quando instalar a unidade sem fios, certifique-se sempre de que a unidade sem fios é inserida na direção correta e que a tampa está completamente fechada.

1. Abra a tampa da ferramenta conforme ilustrado na figura.

► **Fig.46:** 1. Tampa

2. Insira a unidade sem fios na ranhura e feche a tampa, em seguida.

Quando inserir a unidade sem fios, alinhe as projeções com as partes encaixadas na ranhura.

► **Fig.47:** 1. Unidade sem fios 2. Projeção 3. Tampa 4. Parte encaixada

Quando remover a unidade sem fios, abra a tampa lentamente. Os ganchos na parte traseira da tampa elevam a unidade sem fios à medida que puxa a tampa para cima.

► **Fig.48:** 1. Unidade sem fios 2. Gancho 3. Tampa

Após remover a unidade sem fios, guarde-a na caixa fornecida ou num recipiente anti-estática.

**OBSERVAÇÃO:** Utilize sempre os ganchos da parte traseira da tampa quando remover a unidade sem fios. Se os ganchos não agarrarem a unidade sem fios, feche a tampa completamente e volte a abri-la lentamente.

## Registo da ferramenta para o aspirador

**NOTA:** O aspirador Makita que suporta a função de ativação sem fios é necessário para o registo da ferramenta.

**NOTA:** Conclua a instalação da unidade sem fios na ferramenta antes de iniciar o registo da ferramenta.

**NOTA:** Durante o registo da ferramenta, não puxe o gatilho do interruptor ou ligue o interruptor de alimentação do aspirador.

**NOTA:** Consulte também o manual de instruções do aspirador.

Se pretender ativar o aspirador juntamente com o funcionamento por interruptor da ferramenta, conclua primeiramente o registo da ferramenta.

1. Instale as baterias no aspirador e na ferramenta.  
2. Regule o interruptor do modo de espera no aspirador para "AUTO".

► **Fig.49:** 1. Interruptor do modo de espera

3. Pressione o botão de ativação sem fios do aspirador durante 3 segundos até a lâmpada de ativação sem fios piscar a verde. Em seguida, pressione o botão de ativação sem fios da ferramenta da mesma forma.

► **Fig.50:** 1. Botão de ativação sem fios 2. Lâmpada de ativação sem fios

Se o aspirador e a ferramenta forem ligados com sucesso, as lâmpadas de ativação sem fios acendem a verde durante 2 segundos e começam a piscar a azul.

**NOTA:** As lâmpadas de ativação sem fios acabam de piscar a verde após decorridos 20 segundos. Pressione o botão de ativação sem fios da ferramenta enquanto a lâmpada de ativação sem fios do aspirador estiver a piscar. Se a lâmpada de ativação sem fios não piscar a verde, pressione o botão de ativação sem fios por breves instantes e mantenha-o pressionado novamente.

**NOTA:** Quando realizar dois ou mais registos da ferramenta para um aspirador, conclua o registo da ferramenta um por um.

## Iniciar a função de ativação sem fios

**NOTA:** Conclua o registo da ferramenta para o aspirador antes de realizar a ativação sem fios.

**NOTA:** Consulte também o manual de instruções do aspirador.

Após registar uma ferramenta para o aspirador, o aspirador funciona automaticamente com o funcionamento por interruptor da ferramenta.

1. Instale a unidade sem fios na ferramenta.  
2. Ligue a mangueira do aspirador à ferramenta.

► **Fig.51**

3. Regule o interruptor do modo de espera no aspirador para "AUTO".

► **Fig.52:** 1. Interruptor do modo de espera

4. Pressione o botão de ativação sem fios da ferramenta por breves instantes. A lâmpada de ativação sem fios pisca a azul.

► **Fig.53:** 1. Botão de ativação sem fios 2. Lâmpada de ativação sem fios

5. Ligue a ferramenta. Verifique se o aspirador funciona enquanto a ferramenta está a funcionar.

Para parar a ativação sem fios do aspirador, pressione o botão de ativação sem fios da ferramenta.

**NOTA:** A lâmpada de ativação sem fios da ferramenta para de piscar a azul quando não ocorre qualquer utilização durante 2 horas. Neste caso, regule o interruptor do modo de espera do aspirador para "AUTO" e pressione novamente o botão de ativação sem fios da ferramenta.

**NOTA:** O aspirador inicia/para com um atraso. Ocorre um atraso temporal quando o aspirador deteta o funcionamento por interruptor da ferramenta.

**NOTA:** A distância de transmissão da unidade sem fios poderá variar em função do local e das circunstâncias envolventes.

**NOTA:** Quando duas ou mais ferramentas forem registadas para um aspirador, o aspirador poderá iniciar o seu funcionamento mesmo que não ligue a ferramenta devido ao facto de outro utilizador estar a utilizar a função de ativação sem fios.

## Descrição do estado da lâmpada de ativação sem fios

### ► Fig.54: 1. Lâmpada de ativação sem fios

A lâmpada de ativação sem fios exhibe o estado da função de ativação sem fios. Consulte a tabela seguinte para obter o significado do estado da lâmpada.

Estado	Lâmpada de ativação sem fios				Descrição
	Cor	<input type="checkbox"/> Ligada	<input type="checkbox"/> A piscar	Duração	
Modo de espera	Azul	<input checked="" type="checkbox"/>		2 horas	A ativação sem fios do aspirador está disponível. A lâmpada desliga automaticamente quando o aspirador não é utilizado durante 2 horas.
		<input type="checkbox"/>		Quando a ferramenta estiver a funcionar.	A ativação sem fios do aspirador está disponível e a ferramenta está a funcionar.
Registo da ferramenta	Verde	<input checked="" type="checkbox"/>		20 segundos	Preparado para o registo da ferramenta. A aguardar o registo pelo aspirador.
		<input type="checkbox"/>		2 segundos	O registo da ferramenta foi concluído. A lâmpada de ativação sem fios começa a piscar a azul.
Cancelar o registo da ferramenta	Vermelho	<input checked="" type="checkbox"/>		20 segundos	Preparado para o cancelamento do registo da ferramenta. A aguardar o cancelamento pelo aspirador.
		<input type="checkbox"/>		2 segundos	O cancelamento do registo da ferramenta foi concluído. A lâmpada de ativação sem fios começa a piscar a azul.
Outros	Vermelho	<input type="checkbox"/>		3 segundos	A alimentação elétrica é fornecida à unidade sem fios e a função de ativação sem fios é iniciada.
	Desligada	-		-	A ativação sem fios do aspirador é interrompida.

## Cancelar o registo da ferramenta para o aspirador

Realize o procedimento seguinte quando cancelar o registo da ferramenta para o aspirador.

1. Instale as baterias no aspirador e na ferramenta.
2. Regule o interruptor do modo de espera no aspirador para "AUTO".

### ► Fig.55: 1. Interruptor do modo de espera

3. Pressione o botão de ativação sem fios do aspirador durante 6 segundos. A lâmpada de ativação sem fios pisca a verde e fica vermelha, em seguida. Seguidamente, pressione o botão de ativação sem fios da ferramenta da mesma forma.

### ► Fig.56: 1. Botão de ativação sem fios 2. Lâmpada de ativação sem fios

Se o cancelamento for realizado com sucesso, as lâmpadas de ativação sem fios acendem a vermelho durante 2 segundos e começam a piscar a azul.

**NOTA:** As lâmpadas de ativação sem fios acabam de piscar a vermelho após decorridos 20 segundos. Pressione o botão de ativação sem fios da ferramenta enquanto a lâmpada de ativação sem fios do aspirador estiver a piscar. Se a lâmpada de ativação sem fios não piscar a vermelho, pressione o botão de ativação sem fios por breves instantes e mantenha-o pressionado novamente.

## Resolução de problemas para a função de ativação sem fios

Antes de pedir uma reparação, realize primeiro a sua própria inspeção. Se encontrar um problema que não esteja explicado no manual, não tente desmontar a ferramenta. Em vez disso, peça as reparações nos centros de assistência técnica autorizados da Makita, usando sempre peças de substituição da Makita.

Estado da anomalia	Causa provável (avaria)	Correção
A lâmpada de ativação sem fios não acende/pisca.	A unidade sem fios não está instalada na ferramenta. A unidade sem fios está instalada incorretamente na ferramenta.	Instale a unidade sem fios corretamente.
	O terminal da unidade sem fios e/ou a ranhura estão sujos.	Limpe delicadamente a poeira e a sujidade do terminal da unidade sem fios e limpe a ranhura.
	O botão de ativação sem fios da ferramenta não foi pressionado.	Pressione o botão de ativação sem fios da ferramenta por breves instantes.
	O interruptor do modo de espera do aspirador não está regulado para "AUTO".	Regule o interruptor do modo de espera no aspirador para "AUTO".
	Sem fornecimento de alimentação elétrica	Forneça alimentação elétrica à ferramenta e ao aspirador.
Não foi possível concluir o registo da ferramenta / o cancelamento do registo da ferramenta com sucesso.	A unidade sem fios não está instalada na ferramenta. A unidade sem fios está instalada incorretamente na ferramenta.	Instale a unidade sem fios corretamente.
	O terminal da unidade sem fios e/ou a ranhura estão sujos.	Limpe delicadamente a poeira e a sujidade do terminal da unidade sem fios e limpe a ranhura.
	O interruptor do modo de espera do aspirador não está regulado para "AUTO".	Regule o interruptor do modo de espera no aspirador para "AUTO".
	Sem fornecimento de alimentação elétrica	Forneça alimentação elétrica à ferramenta e ao aspirador.
	Funcionamento incorreto	Pressione o botão de ativação sem fios por breves instantes e volte a realizar os procedimentos de registo da ferramenta/cancelamento.
	A ferramenta e o aspirador estão afastados um do outro (fora do alcance da transmissão).	Aproxime a ferramenta do aspirador. A distância máxima de transmissão é aproximadamente 10 m, contudo, poderá variar de acordo com as circunstâncias.
	Antes de terminar o registo/cancelamento da ferramenta; - o interruptor da ferramenta é ativado; ou - o botão de alimentação no aspirador é ativado.	Pressione o botão de ativação sem fios por breves instantes e volte a realizar os procedimentos de registo da ferramenta/cancelamento.
	Os procedimentos de registo da ferramenta para a ferramenta ou aspirador não foram concluídos.	Realize os procedimentos de registo da ferramenta para a ferramenta e para o aspirador ao mesmo tempo.
	Interferência radioelétrica por outros aparelhos que geram ondas de rádio de alta intensidade.	Mantenha a ferramenta e o aspirador afastados de aparelhos como dispositivos Wi-Fi e fornos microondas.
O aspirador não funciona juntamente com o funcionamento por interruptor da ferramenta.	A unidade sem fios não está instalada na ferramenta. A unidade sem fios está instalada incorretamente na ferramenta.	Instale a unidade sem fios corretamente.
	O terminal da unidade sem fios e/ou a ranhura estão sujos.	Limpe delicadamente a poeira e a sujidade do terminal da unidade sem fios e limpe a ranhura.
	O botão de ativação sem fios da ferramenta não foi pressionado.	Pressione o botão de ativação sem fios por breves instantes e certifique-se de que a lâmpada de ativação sem fios está a piscar a azul.
	O interruptor do modo de espera do aspirador não está regulado para "AUTO".	Regule o interruptor do modo de espera no aspirador para "AUTO".
	Estão registadas mais de 10 ferramentas para o aspirador.	Realize o registo da ferramenta novamente. Se estiverem registadas mais de 10 ferramentas para o aspirador, a ferramenta registada mais cedo será cancelada automaticamente.
	O aspirador apagou todos os registos da ferramenta.	Realize o registo da ferramenta novamente.
	Sem fornecimento de alimentação elétrica	Forneça alimentação elétrica à ferramenta e ao aspirador.
	A ferramenta e o aspirador estão afastados um do outro (fora do alcance da transmissão).	Aproxime a ferramenta do aspirador. A distância máxima de transmissão é aproximadamente 10 m, contudo, poderá variar de acordo com as circunstâncias.
	Interferência radioelétrica por outros aparelhos que geram ondas de rádio de alta intensidade.	Mantenha a ferramenta e o aspirador afastados de aparelhos como dispositivos Wi-Fi e fornos microondas.

Estado da anomalia	Causa provável (avaria)	Correção
O aspirador funciona enquanto a ferramenta não está a funcionar.	Outros utilizadores estão a utilizar a ativação sem fios do aspirador com as respetivas ferramentas.	Desligue o botão de ativação sem fios das outras ferramentas ou cancele o registo da ferramenta das outras ferramentas.

## MANUTENÇÃO

**⚠PRECAUÇÃO:** Certifique-se sempre de que a ferramenta se encontra desligada e de que a bateria foi retirada antes de executar qualquer inspeção ou manutenção.

**OBSERVAÇÃO:** Nunca utilize gasolina, benzina, diluente, álcool ou produtos semelhantes. Pode ocorrer a descoloração, deformação ou rachaduras.

Para manter a SEGURANÇA e a FIABILIDADE do produto, as reparações e qualquer outra manutenção ou ajuste devem ser levados a cabo pelos centros de assistência Makita autorizados ou pelos centros de assistência de fábrica, utilizando sempre peças de substituição Makita.

## Limpar as aberturas de descarga de aparas

Limpe as aberturas de descarga de aparas regularmente. Utilize ar comprimido para limpar as aberturas de descarga de aparas entupidas.

## Afiar as lâminas

### *Apenas para lâminas de plaina convencionais*

Mantenha sempre as lâminas de plaina afiadas para obter o melhor desempenho. Utilize o suporte de afiar (acessório opcional) para aperfeiçoar as extremidades da lâmina da plaina de modo seguro e eficaz.

► **Fig.57:** 1. Suporte de afiar 2. Lâmina

1. Solte as duas porcas de orelhas no suporte de afiar.
2. Faça deslizar as extremidades traseiras das lâminas de plaina para as ranhuras de montagem até ao fim com os bordos cortantes a afiar virados para baixo.

► **Fig.58:** 1. Suporte de afiar 2. Porca de orelhas 3. Lâmina 4. Bordo cortante 5. Ranhuras de montagem 6. Cabeça de perno

3. Aperte as porcas de orelhas para fixar as lâminas de plaina no devido lugar.
4. Mergulhe uma pedra de amolar em água durante 2 ou 3 minutos antes de afiar.
5. Segure firmemente o suporte de afiar e coloque gentilmente os bordos cortantes sobre a superfície da pedra de amolar.
6. Afie os bordos cortantes movendo o suporte de afiar para trás e para a frente.

► **Fig.59**

## ACESSÓRIOS OPCIONAIS

**⚠PRECAUÇÃO:** Estes acessórios ou peças são recomendados para utilização com a ferramenta Makita especificada neste manual. A utilização de outros acessórios ou peças pode ser perigosa para as pessoas. Utilize apenas acessórios ou peças para os fins indicados.

Se necessitar de assistência para obter mais informações sobre estes acessórios, entre em contacto com o centro de assistência da Makita local.

- Lâmina da plaina de aço de alta velocidade
- Lâmina da plaina de carboneto de tungsténio (para uma vida útil da lâmina mais prolongada)
- Minilâmina da plaina
- Conjunto do suporte de afiar
- Conjunto do calibre da lâmina
- Conjunto da chapa de assentamento
- Conjunto da régua de guia
- Pedra de amolar
- Conjunto do saco para pó
- Cotovelo
- Conjunto da régua de chanfragem
- Unidade sem fios
- Bateria e carregador genuínos da Makita

**NOTA:** Alguns itens da lista podem estar incluídos na embalagem da ferramenta como acessórios padrão. Eles podem variar de país para país.

## SPECIFIKATIONER

Model:	KP001G
Afhøvlingsbredde	82 mm
Afhøvlingsdybde	4 mm
Falsningsdybde	25 mm
Hastighed uden belastning	15.000 min <sup>-1</sup>
Samlet længde (med BL4040)	385 mm
Mærkespænding	D.C. Maks. 36 V - 40 V
Vægt	3,7 - 4,9 kg

- På grund af vores kontinuerlige forsknings- og udviklingsprogrammer kan hosstående specifikationer blive ændret uden varsel.
- Specifikationer og akku kan variere fra land til land.
- Vægten kan være anderledes afhængigt af tilbehøret, inklusive akkuen. Den letteste og tungeste kombination i henhold til EPA-procedure 01/2014 er vist i tabellen.

## Anvendelig akku og oplader

Akku	BL4020* / BL4025* / BL4040* / BL4050F / BL4080F * : Anbefalet batteri
Oplader	DC40RA / DC40RB / DC40RC

- Nogle af de akkuer og opladere, der er angivet ovenfor, er muligvis ikke tilgængelige, afhængigt af hvilket område du bor i.

**⚠ ADVARSEL: Brug kun de akkuer og opladere, der er angivet ovenfor.** Brug af andre akkuer og opladere kan medføre personskaade og/eller brand.

## Tilsigtet anvendelse

Maskinen er beregnet til afhøvling af træ.

## Støj

Det typiske A-vægtede støjniveau bestemt i overensstemmelse med EN62841-2-14:  
 Lydtryksniveau ( $L_{pA}$ ) : 90 dB (A)  
 Lydeffektniveau ( $L_{WA}$ ) : 98 dB (A)  
 Usikkerhed (K): 3 dB (A)

**BEMÆRK:** De(n) angivne støjemissionsværdi(er) er målt i overensstemmelse med en standardtestmetode og kan anvendes til at sammenligne en maskine med en anden.

**BEMÆRK:** De(n) angivne støjemissionsværdi(er) kan også anvendes i en præliminær eksponeringsvurdering.

**⚠ ADVARSEL: Bær høreværn.**

**⚠ ADVARSEL:** Støjemissionen under den faktiske anvendelse af maskinen kan være forskellig fra de(n) angivne værdi(er), afhængigt af den måde hvorpå maskinen anvendes, især den type arbejdsømne der behandles.

**⚠ ADVARSEL:** Sørg for at identificere de sikkerhedsforskrifter til beskyttelse af operatøren, som er baseret på en vurdering af eksponering under de faktiske brugsforhold (med hensyntagen til alle dele i brugscyklussen, f.eks. de gange, hvor maskinen er slukket, og når den kører i tomgang i tilgift til afbrydertiden).

## Vibration

Vibrationens totalværdi (tre-aksial vektorsum) bestemt i overensstemmelse med EN62841-2-14:

Arbejdstilstand: overfladeslibning

Vibrationsemission ( $a_{h1}$ ): 4,3 m/s<sup>2</sup>

Usikkerhed (K): 1,5 m/s<sup>2</sup>

**BEMÆRK:** De(n) angivne totalværdi(er) for vibration er målt i overensstemmelse med en standardtestmetode og kan anvendes til at sammenligne en maskine med en anden.

**BEMÆRK:** De(n) angivne totalværdi(er) for vibration kan også anvendes i en præliminær eksponeringsvurdering.

**⚠ ADVARSEL:** Vibrationsemissionen under den faktiske anvendelse af maskinen kan være forskellig fra de(n) angivne værdi(er), afhængigt af den måde hvorpå maskinen anvendes, især den type arbejdsømne der behandles.

**⚠ ADVARSEL:** Sørg for at identificere de sikkerhedsforskrifter til beskyttelse af operatøren, som er baseret på en vurdering af eksponering under de faktiske brugsforhold (med hensyntagen til alle dele i brugscyklussen, f.eks. de gange, hvor maskinen er slukket, og når den kører i tomgang i tilgift til afbrydertiden).

## Overensstemmelseserklæringer

*Kun for lande i Europa*

Overensstemmelseserklæringerne er inkluderet i Bilag A i denne brugsanvisning.

# SIKKERHEDSADVARSLER

## Almindelige sikkerhedsregler for el-værktøj

**⚠ ADVARSEL:** Læs alle de sikkerhedsadvarsler, instruktioner, illustrationer og specifikationer, der følger med denne maskine. Forsømmelse af at overholde alle nedenstående instruktioner kan medføre elektrisk stød, brand og/eller alvorlig personskade.

## Gem alle advarsler og instruktioner til fremtidig reference.

Ordet "el-værktøj" i advarslerne henviser til det netforsynede (netledning) el-værktøj eller batteriforsynede (akku) el-værktøj.

## Sikkerhedsadvarsler for akku høvl

1. **Vent, til skærehovedet er stoppet, før du sætter maskinen fra dig.** Et blotet roterende skærehoved kan gribe fat i overfladen og forårsage risiko for tab af kontrollen og alvorlig personskade.
2. **Brug skruetvinger eller en anden praktisk måde til at fastgøre og understøtte arbejdsområdet til en stabil platform.** Hvis arbejdsområdet holdes i hånden eller mod kroppen, bliver det ustabil, hvilket kan medføre, at du mister kontrollen.
3. **Klude, tøj, ledninger, snore og lignende må aldrig ligge og flyde i arbejdsområdet.**
4. **Undgå at skære i søm.** Se efter og fjern alle søm fra arbejdsområdet, før arbejdet påbegyndes.
5. **Brug kun skarpe blade.** Håndter bladene yderst forsigtigt.
6. **Sørg for, at boltene til montering af bladet er strammet forsvarligt før brugen.**
7. **Hold godt fast i maskinen med begge hænder.**
8. **Hold hænderne på afstand af roterende dele.**
9. **Lad maskinen køre et stykke tid, før den anvendes på et egentligt arbejdsområde.** Se efter vibration eller rysten, der kan tyde på forkert montering eller et dårligt afbalanceret blad.
10. **Kontroller, at bladet ikke er i kontakt med arbejdsområdet, før der tændes ved afbryderen.**
11. **Vent, til bladet når fuld hastighed, før der skæres.**
12. **Sluk altid, og vent, til bladene er helt stoppet, før der udføres justering af skæredybde.**
13. **Stik aldrig fingeren ind i spånrenden.** Renden kan blive tilstoppet, når der skæres i fugtigt træ. Fjern spånerne med en pind.
14. **Lad ikke maskinen ligge og køre.** Brug kun maskinen, når den holdes i hænderne.
15. **Når bladene eller nogle dele på tromlen udskiftes, skal du sørge for at udskifte delene på begge sider af tromlen som et sæt.** Ellers kan den resulterende ubalance forårsage vibrationer og forkorte maskinens levetid.

16. **Brug kun de Makita blade, der er angivet i denne manual.**
17. **Anvend altid korrekt støvmaske/åndebrætsvørn til det materiale og den anvendelse, du arbejder med.**
18. **Betjen maskinen under stabile forhold.** Betjening under ustabile forhold kan muligvis medføre personskade.

## GEM DENNE BRUGSANVISNING.

**⚠ ADVARSEL:** LAD IKKE bekvemmelighed eller kendskab til produktet (opnået gennem gentagen brug) forhindre, at sikkerhedsforskrifterne for produktet nøje overholdes.

**MISBRUG** eller forsømmelse af at følge de i denne brugsvejledning givne sikkerhedsforskrifter kan føre til, at De kommer alvorligt til skade.

## Vigtige sikkerhedsinstruktioner for akkuen

1. **Læs alle instruktioner og advarselsmærkater på (1) akku-opladeren, (2) akkuen og (3) produktet, som anvender akku.**
2. **Adskil eller ændr ikke akkuen.** Det kan muligvis resultere i en brand, overdreven varme eller eksplosion.
3. **Hold straks op med anvendelsen, hvis brugstiden er blevet stærkt afkortet.** Fortsat anvendelse kan resultere i risiko for overophedning, forbrændinger og endog eksplosion.
4. **Hvis De har fået elektrolytvæske i øjnene, skal De straks skylle den ud med rent vand og derefter øjeblikkeligt søge lægehjælp.** I modsat fald kan De miste synet.
5. **Vær påpasselig med ikke at komme til at kortslutte akkuen:**
  - (1) Rør ikke ved terminalerne med noget ledende materiale.
  - (2) Undgå at opbevare akkuen i en beholder sammen med andre genstande af metal, for eksempel søm, mønter og lignende.
  - (3) Udsæt ikke akkuen for vand eller regn. Kortslutning af akkuen kan forårsage en kraftig øgning af strømmen, overophedning, muligvis forbrændinger og endog værktøjstop.
6. **Opbevar og brug ikke maskinen og akkuen på steder, hvor temperaturen muligvis kan nå eller overstige 50 °C.**
7. **Lad være med at brænde akkuen, selv ikke i tilfælde, hvor den har lidt alvorlig skade eller er fuldstændig udtjent.** Akkuen kan eksplodere, hvis man forsøger at brænde den.
8. **Slå ikke søm i, skær ikke i, knus, kast, tab ikke akkuen og stød ikke akkuen mod en hård genstand.** Sådan adfærd kan muligvis resultere i en brand, overdreven varme eller eksplosion.
9. **Anvend ikke en beskadiget akku.**
10. **De indbyggede litium-ion-batterier er underlagt lovkrav vedrørende farligt gods.** Ved kommerciel transport, f.eks. af tredjeparts transportselskaber, skal særlige krav til forpakning og mærkning overholdes.

Ved forberedelse af udstyret til forsendelse skal du kontakte en ekspert i farligt gods. Overhold også eventuel mere detaljeret national lovgivning.

Tape eller tildæk åbne kontakter, og pak batteriet på en måde, så det ikke kan flytte sig rundt i pakningen.

11. **Når akkuen bortskaffes, skal du fjerne den fra maskinen og bortskaffe den på et sikkert sted. Følg de lokale love vedrørende bortskaffelsen af batterier.**
12. **Brug kun batterierne med de produkter, som Makita specificerer.** Hvis batterierne installeres i ikke-kompatible produkter, kan det medføre brand, kraftig varme, eksplosion eller udsivning af elektrolyt.
13. **Hvis maskinen ikke skal bruges i længere tid ad gangen, skal du fjerne batteriet fra maskinen.**
14. **Akkuen kan muligvis under og efter brug være varm, hvilket kan forårsage forbrændinger eller lavtemperaturforbrændinger. Vær påpasselig med håndtering af varme akkuer.**
15. **Rør ikke terminalen på maskinen straks efter brug, da den bliver varm nok til at forårsage forbrændinger.**
16. **Sørg for, at spåner, støv eller jord ikke sætter sig fast i akkuens terminaler, huller og riller.** Det kan forårsage opvarmning, antændelse, sprængning og funktionsfejl i maskinen eller akkuen, hvilket kan medføre forbrændinger eller personskade.
17. **Medmindre maskinen understøtter brugen i nærheden af elektriske højspændingsledninger, skal du ikke anvende akkuen i nærheden af elektriske højspændingsledninger.** Det kan muligvis medføre funktionsfejl på eller nedbrud af maskinen eller akkuen.
18. **Opbevar batteriet utilgængeligt for børn.**

## GEM DENNE BRUGSANVISNING.

**⚠FORSIGTIG:** Brug kun originale batterier fra Makita. Brug af uoriginale Makita-batterier, eller batterier som er blevet ændret, kan muligvis medføre brud på batteriet, hvilket kan forårsage brand, personskade eller beskadigelse. Det ugyldiggør også Makita-garantien for Makita-maskinen og opladeren.

## Tips til opnåelse af maksimal akku-levetid

1. **Oplad akkuen, inden den er helt afladet. Stop altid værktøjet, og oplad akkuen, hvis De bemærker, at værktøjeffekten er aftagende.**
2. **Genoplad aldrig en fuldt opladet akku. Overopladning vil afkorte akkuens levetid.**
3. **Oplad akkuen ved stuetemperatur ved 10 °C - 40 °C. Lad altid en varm akku få tid til at køle af, inden den oplades.**
4. **Når du ikke anvender akkuen, skal du fjerne den fra maskinen eller opladeren.**
5. **Oplad akkuen, hvis De ikke skal bruge den i længere tid (mere end seks måneder).**

## Vigtige sikkerhedsinstruktioner for trådløs enhed

1. **Undlad at adskille eller ændre den trådløse enhed.**
2. **Opbevar den trådløse enhed utilgængeligt for små børn. Søg øjeblikkeligt læge, hvis den sluges ved et uheld.**
3. **Brug kun den trådløse enhed sammen med maskiner fra Makita.**
4. **Udsæt ikke den trådløse enhed for regn eller våde omgivelser.**
5. **Brug ikke den trådløse enhed på steder, hvor temperaturen overskrider 50 °C.**
6. **Brug ikke den trådløse enhed i nærheden af medicinske instrumenter som f.eks. pacemakere.**
7. **Brug ikke den trådløse enhed i nærheden af automatiske enheder. Hvis den bruges, kan automatiske enheder udvikle fejlfunktion eller fejl.**
8. **Undlad at betjene den trådløse enhed på steder med høje temperaturer eller steder, hvor der kan genereres statisk elektricitet eller elektrisk støj.**
9. **Den trådløse enhed kan frembringe elektromagnetiske felter (EMF), men de er ikke skadelige for brugeren.**
10. **Den trådløse enhed er et præcisionsinstrument. Undgå at tabe eller slå på den trådløse enhed.**
11. **Undgå at berøre terminalen på den trådløse enhed med de bare hænder eller metalliske materialer.**
12. **Tag altid batteriet ud af produktet, når den trådløse enhed monteres på det.**
13. **Når låget på åbningen åbnes, skal du undgå steder, hvor der kan komme støv eller vand ind i åbningen. Hold altid indgangen til åbningen ren.**
14. **Indsæt altid den trådløse enhed i den rigtige retning.**
15. **Undgå at trykke for hårdt på den trådløse aktiveringsknap på den trådløse enhed og/eller at trykke på knappen med en genstand med en skarp kant.**
16. **Luk altid låget på åbningen under brug.**
17. **Undlad at fjerne den trådløse enhed fra åbningen, når der er sluttet strøm til maskinen. Hvis du gør dette, kan det medføre funktionsfejl i den trådløse enhed.**
18. **Undlad at fjerne etiketten på den trådløse enhed.**
19. **Undlad at sætte nogen etiket på den trådløse enhed.**
20. **Lad ikke den trådløse enhed ligge på steder, hvor der kan genereres statisk elektricitet eller elektrisk støj.**
21. **Lad ikke den trådløse enhed ligge på steder, der er udsat for høj varme, for eksempel en bil, der står i solen.**
22. **Lad ikke den trådløse enhed ligge på et sted med støv eller pulver eller på et sted, hvor der kan udvikles ætsende gas.**



23. En pludselig temperaturændring kan forårsage dug på den trådløse enhed. Brug ikke den trådløse enhed, før duggen er tørret helt bort.
24. Ved rengøring af den trådløse enhed skal den aftørres forsigtigt med en tør, blød klud. Brug ikke rensebenzin, fortynder, ledende fedtstof eller lignende.
25. Ved opbevaring af den trådløse enhed skal den opbevares i den medfølgende æske eller i en beholder, der er fri for statisk elektricitet.
26. Indsæt ikke andre enheder end den trådløse enhed fra Makita i åbningen på maskinen.
27. Undlad at bruge maskinen, hvis låget til åbningen er beskadiget. Vand, støv og snavs, der kommer ind i åbningen, kan forårsage fejlfunktion.
28. Undlad at trække og/eller vride låget til åbningen mere end nødvendigt. Sæt låget på igen, hvis det falder af maskinen.
29. Udskift låget til åbningen, hvis det bliver væk eller ødelægges.

## GEM DISSE FORSKRIFTER.

## FUNKTIONSBESKRIVELSE

**⚠ FORSIGTIG:** Sørg altid for at maskinen er slukket, og at akkuen er taget ud, før der udføres justering eller kontrol af funktioner på maskinen.

### Isætning eller fjernelse af akkuen

**⚠ FORSIGTIG:** Sluk altid for værktøjet, før De monterer eller fjerner akkuen.

**⚠ FORSIGTIG:** Hold værktøjet og akkuen fast ved montering eller fjernelse af akkuen. Hvis De ikke holder værktøjet og akkuen fast, kan de glide ud af hænderne på Dem og forårsage beskadigelse af værktøjet og akkuen eller personskade.

► Fig.1: 1. Rød indikator 2. Knap 3. Akku

Akkuen fjernes ved, at De trækker den ud af værktøjet, idet De skyder knappen på forsiden af akkuen i stilling.

For at montere akkuen skal du justere tungen på akkuen med rillen i huset og skubbe den på plads. Indsæt den hele vejen, indtil den låses på plads med et lille klik. Hvis du kan se den røde indikator, som vist i figuren, er den ikke helt låst.

**⚠ FORSIGTIG:** Monter altid akkuen helt, indtil den røde indikator ikke længere er synlig. Hvis dette ikke gøres, kan den falde ud af værktøjet ved et uheld, hvorved De selv eller personer i nærheden kan komme til skade.

**⚠ FORSIGTIG:** Brug ikke magt ved montering af akkuen. Hvis akkuen ikke glider på plads uden problemer, betyder det, at den ikke sættes i på korrekt vis.

## Beskyttelsessystem til værktøj/batteri

Maskinen er udstyret med et beskyttelsessystem til maskinen/batteriet. Dette system afbryder automatisk strømmen til motoren for at forlænge maskinens og batteriets levetid. Maskinen stopper automatisk under brugen, hvis maskinen eller batteriet udsættes for et af følgende forhold:

### Overbelastningsbeskyttelse

Når maskinen/batteriet betjenes på en måde, der får den/det til at bruge unormalt meget strøm, stopper maskinen automatisk. I denne situation skal du slukke for maskinen og stoppe den anvendelse, der fik maskinen til at blive overbelastet. Tænd derefter maskinen for at starte igen.

### Beskyttelse mod overophedning

Hvis maskinen/batteriet er overophedet, stopper maskinen automatisk. Lad i så fald maskinen/batteriet køle ned, før der tændes for maskinen igen.

### Beskyttelse mod overafledning

Når batteriladningen er utilstrækkelig, stopper maskinen automatisk. Tag i så fald akkuen ud af maskinen, og oplad akkuen.

### Beskyttelse mod andre årsager

Beskyttelsessystemet er også designet til andre årsager, der kan beskadige maskinen og gør det muligt for maskinen at stoppe automatisk. Træf alle følgende foranstaltninger for at fjerne årsagerne, når maskinen midlertidigt er blevet bragt til standsning eller stoppet i drift.

1. Sluk for maskinen, og tænd den igen for at genstarte.
2. Oplad batteriet/batterierne eller udskift det/dem med genopladet/genopladede batteri/batterier.
3. Lad maskinen og batteriet/batterierne køle af.

Hvis der ikke kan findes nogen forbedring ved at gendanne beskyttelsessystemet, skal det lokale Makita-servicecenter kontaktes.

## Indikation af den resterende batteriladning

Tryk på kontrolknappen på akkuen for at få vist den resterende batteriladning. Indikatorlampen lyser i nogle sekunder.

► Fig.2: 1. Indikatorlamper 2. Kontrolknop

Indikatorlamper			Resterende ladning
Tændt	Slukket	Blinker	
■ ■ ■ ■			75% til 100%
■ ■ ■ □			50% til 75%
■ ■ □ □			25% til 50%
■ □ □ □			0% til 25%
▬ □ □ □			Genoplad batteriet.
■ ■ □ □			Der er muligvis fejl i batteriet.
□ □ ■ ■			

**BEMÆRK:** Afhængigt af brugsforholdene og den omgivende temperatur kan indikationen afvige en smule fra den faktiske ladning.

**BEMÆRK:** Den første indikatorlampe (længst mod venstre) vil blinke, når batteribeskyttelsessystemet aktiveres.

## Justering af skæredybden

**⚠FORSIGTIG:** Sluk altid, og vent på, at bladene stopper helt, før du justerer skæredybden.

**BEMÆRK:** Når du drejer dybdejusteringsknappen, skal du sørge for at holde godt fast i håndtaget med den anden hånd.

Skæredybden kan justeres ved at dreje dybdejusteringsknappen på forsiden af maskinen. Drej knappen for at justere markøren efter den ønskede skæredybde på dybdeskalaen.

► **Fig.3:** 1. Dybdejusteringsknap 2. Markør  
3. Dybdeskala

## Afbryderfunktion

**⚠ADVARSEL:** Inden akkuen sættes i maskinen, bør De altid kontrollere, at afbryderknappen fungerer korrekt, og returnerer til "OFF"-positionen, når den slippes.

**⚠ADVARSEL:** Omgå ALDRIG lås fra-knappens funktion ved at tape den fast eller på andre måder. En afbryder med en blokeret lås fra-knap kan medføre utilsigtet funktion og alvorlig personskade.

**⚠ADVARSEL:** Brug ALDRIG maskinen, hvis den kører, når du blot trykker på afbryderknappen uden at trykke på lås fra-knappen. En afbryder, der skal repareres, kan medføre utilsigtet funktion og alvorlig personskade. Returner maskinen til et Makita-servicecenter for nødvendige reparationer INDEN yderligere brug.

**BEMÆRKNING:** Tryk ikke hårdt på afbryderkontakten uden først at trykke aflåseknappen ind. Dette kan ødelægge afbryderkontakten.

For at forhindre, at der trykkes på afbryderknappen ved et uheld, er maskinen forsynet med en lås fra-knap. For at starte maskinen skal du trykke på og holde lås fra-knappen nede og derefter trykke på afbryderknappen. Slip afbryderknappen for at stoppe.

► **Fig.4:** 1. Afbryderknap 2. Lås fra-knap

## Fod

Foden springer ud af bagpladen, når du løfter maskinen ud fra arbejdsfladerne for at undgå, at høvlbladene berører arbejdsfladen direkte. Den forhindrer høvlbladene i utilsigtet beskadigelse, når de ikke er i brug. Foden springer tilbage i bagpladen, når du placerer maskinens plade over arbejdsflader.

► **Fig.5:** 1. Høvlblad 2. Bagplade 3. Fod  
4. Arbejdsflade

## Funktion til forhindring af utilsigtet genstart

Hvis du monterer akkuen, mens du trækker i afbryderknappen, starter maskinen ikke. For at starte maskinen skal du slippe afbryderknappen og derefter trykke på afbryderknappen igen, mens du trykker på lås fra-knappen.

## Elektronisk funktion

Maskinen er udstyret med følgende elektroniske funktioner, så den er let at anvende.

## Elektrisk bremse

Maskinen er udstyret med en elektrisk bremse. Hvis maskinen konsekvent undlader at stoppe hurtigt efter frigivelse af afbryderknappen, skal maskinen services på det lokale Makita-servicecenter.

## Funktion til blød start

Blød-start-funktionen minimerer startstød og får maskinen til at starte gnidningsløst.

## SAMLING

**⚠FORSIGTIG:** Sørg altid for at maskinen er slukket, og at akkuen er taget ud, før der udføres noget arbejde på maskinen.

## Opbevaring af topnøgle

Når topnøglen ikke bruges, skal du opbevare den som vist i figuren for at forhindre, at den bliver væk.

► **Fig.6:** 1. Topnøgle

## Afmontering og montering af høvlblade

**⚠FORSIGTIG:** Tilspænd bladmonteringsboltene omhyggeligt, når høvlbladene fastgøres til maskinen. Kontroller altid, at de er tilspændt forsvarligt. En løs monteringsbolt kan være farlig.

**⚠FORSIGTIG:** Håndter høvlbladene meget forsigtigt. Brug handsker eller klude til at beskytte dine fingre eller hænder, når du afmonterer eller monterer høvlbladene.

**⚠FORSIGTIG:** Brug kun den medfølgende Makita-nøgle til at afmontere eller montere høvlbladene. Hvis du ikke gør dette, kan det medføre overtilspænding eller utilstrækkelig tilspænding af monteringsboltene. Dette kan medføre personskade.

**BEMÆRKNING:** For at montere høvlbladene skal du fjerne alle spåner eller fremmedlegemer, der sidder på tromlen eller høvlbladene. Brug høvlblade med samme mål og vægt, eller kan der opstå tromleoscillation/vibrationer, hvilket kan medføre dårligt høvlarbejde, og resultere i maskinnedbryd.

## For maskiner med konventionelle høvlblade

**BEMÆRK:** Et par høvlblade er monteret i tromlen.  
Gentag følgende procedurer for hvert høvlblad.

### Afmontering af konventionelle høvlblade

1. Skru monteringsboltene ud af tromlen ved hjælp af den medfølgende topnøgle.
2. Afmonter tromlepladen og det konventionelle høvlblad (med justeringsplade) fra tromlen.  
► **Fig.7:** 1. Monteringsbolt 2. Tromleplade  
3. Konventionelt blad (med justeringsplade)  
4. Tromle
3. Løsn skruerne fra det konventionelle høvlblad, og afmonter derefter justeringspladen.  
► **Fig.8:** 1. Skrue 2. Konventionelt høvlblad  
3. Justeringsplade

### Montering af konventionelle høvlblade

1. Sæt et konventionelt høvlblad på bladmåleren, mens du justerer dets skærekant langs styrevæggen på bladmåleren vandret.  
► **Fig.9:** 1. Konventionelt høvlblad 2. Bladmåler  
3. Skærekant 4. Styrevæg
2. Placer justeringspladen over det konventionelle høvlblad, og tilspænd derefter skruerne en smule.
3. Skub justeringspladen fremad, indtil dens positioneringsstyr passer godt og helt langs den bageste sidevæg på bladmåleren.
4. Hold justeringspladen, hvor den er, og tilspænd skruerne for at fastgøre den på plads.  
► **Fig.10:** 1. Justeringsplade 2. Konventionelt høvlblad 3. Skrue 4. Positioneringsstyr  
5. Bageste sidevæg 6. Bladmåler
5. Rens alt træflis og fremmedlegemer, der klæber til tromlen og det konventionelle høvlblad.
6. Skub justeringspladens positioneringsstyr ind i styrerillen i tromlen, og placer derefter tromlepladen over det konventionelle høvlblad (med justeringsplade).
7. Tilspænd alle monteringsboltene jævnt op på kryds med topnøglen.  
► **Fig.11:** 1. Positioneringsstyr 2. Justeringsplade  
3. Styrelinje 4. Tromle 5. Tromleplade  
6. Konventionelt høvlblad 7. Monteringsbolt

## For maskiner med minihøvlblade

**BEMÆRK:** Et par høvlblade er monteret i tromlen.  
Gentag følgende procedurer for hvert høvlblad.

### Afmontering af minihøvlblade

1. Løsn monteringsboltene en omgang ved hjælp af den medfølgende topnøgle.  
► **Fig.12:** 1. Monteringsbolt 2. Topnøgle
2. Skub minihøvlbladet ud af tromlen ved at skubbe den ene ende af bladet udad fra remdækselsiden.  
► **Fig.13:** 1. Minihøvlblad 2. Tromle 3. Remdæksel  
4. T-håndtag på topnøgle

**BEMÆRK:** Brug enderne på T-håndtaget på topnøglen til at skubbe minihøvlbladet ud for at sikre drift og vedligeholdelse.

## Montering af minihøvlblade

1. Rens alt træflis og fremmedlegemer, der klæber til tromlen og minihøvlbladet.
2. Skub et minihøvlblad mellem tromlen og støttepladen ved at skubbe den ene ende af bladet indad fra den modsatte side af remdækslet.
3. Tilspænd alle monteringsboltene jævnt op på kryds med topnøglen.  
► **Fig.14:** 1. Minihøvlblad 2. Tromle 3. Støtteplade  
4. Remdæksel 5. Monteringsbolt 6. Topnøgle

### Kalibrering af minihøvlblad

Udfør en kalibrering på høvlblade med jævne mellemrum for at optimere arbejds effektiviteten.

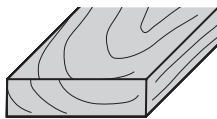
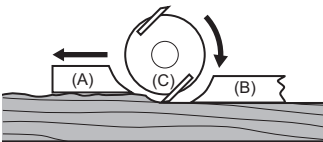
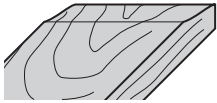
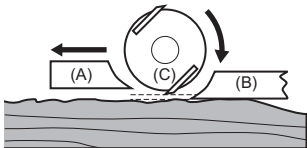
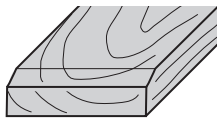
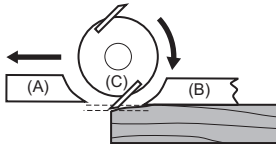
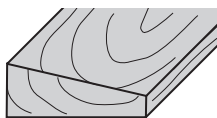
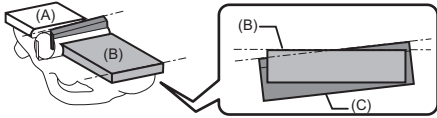
1. Løsn monteringsboltene en omgang ved hjælp af den medfølgende topnøgle.
2. Skub minihøvlbladet ud af tromlen ved at skubbe den ene ende af bladet udad fra remdækselsiden.
3. Skru monteringsboltene ud af tromlen ved hjælp af topnøglen.
4. Afmonter tromlepladen og støttepladen (med justeringsplade) fra tromlen.  
► **Fig.15:** 1. Monteringsbolt 2. Tromleplade 3. Støtteplade (med justeringsplade) 4. Tromle
5. Løsn skruerne på støttepladen en omgang for at frigøre justeringspladen.  
► **Fig.16:** 1. Skrue 2. Støtteplade 3. Justeringsplade
6. Rens alt træflis og fremmedlegemer, der klæber til støttepladen (med justeringsplade) og minihøvlbladet.
7. Sæt minihøvlbladet på bladmåleren, mens du justerer dets skærekant langs styrevæggen på bladmåleren vandret.
8. Placer støttepladen (med justeringsplade) over minihøvlbladet, mens du justerer hjælpelinjerne på støttepladen med styrerillerne på minihøvlbladet.  
► **Fig.17:** 1. Minihøvlblad 2. Bladmåler 3. Skærekant  
4. Styrevæg 5. Støtteplade (med justeringsplade) 6. Hjælpelinje 7. Styrelinje

9. Skub justeringspladen fremad, indtil dens positioneringsstyr passer godt og helt langs den bageste sidevæg på bladmåleren.
10. Hold justeringspladen, hvor den er, og tilspænd skruerne for at fastgøre den på plads.  
► **Fig.18:** 1. Justeringsplade 2. Støtteplade 3. Skrue  
4. Positioneringsstyr 5. Bageste sidevæg 6. Bladmåler
11. Skub justeringspladens positioneringsstyr ind i styrerillen i tromlen, og placer derefter tromlepladen over støttepladen (med justeringsplade).  
► **Fig.19:** 1. Positioneringsstyr 2. Justeringsplade  
3. Styrelinje 4. Tromle 5. Tromleplade  
6. Støtteplade 7. Monteringsbolt

12. Tilspænd monteringsboltene en smule, og skub minihøvlbladet mellem tromlen og støttepladen ved at skubbe den ene ende af bladet indad fra den modsatte side af remdækslet.
13. Tilspænd alle monteringsboltene jævnt op på kryds med topnøglen.  
► **Fig.20:** 1. Minihøvlblad 2. Tromle 3. Støtteplade  
4. Remdæksel 5. Monteringsbolt  
6. Topnøgle

## Indstillinger for høvlblad

Høvløverfladen vil blive ru og ujævn, med mindre høvlbladene er indstillet korrekt og sikkert. Monter høvlbladene korrekt, så skærekanterne sidder i en ret vinkel, på et absolut niveau med bagpladelinjen og nøjagtigt parallelt med høvlmaskinens sål. Læs eksemplerne i tabellen for at få de korrekte indstillinger.

Afhøvlingsoverflade	Bladindstilling	Årsag
Korrekt indstilling 		Skærekanterne sidder på et niveau med bagpladelinjen og løber side om side parallelt med høvlmaskinens sål.
Udhuling ved start 		Skærekanterne når ikke til bagpladelinjen.
Udhuling ved ende 		Skærekanterne overskrider bagpladelinjen.
Skrå kant i overflade 		Skærekanterne sidder side om side uden sidestykke i forhold til høvlmaskinens sål.

(A): Frontplade (justerbart føringsanslag)  
 (B): Bagplade (fast føringsanslag)  
 (C): Høvlblad

## Montering af styrelineal

- Læg maskinen ned med remdækslet vendt opad.
- Monter styrelinealen på plads ved at fastgøre den med fingerskruen i monteringshullet ved siden af maskinhovedet.  
► **Fig.21:** 1. Remdæksel 2. Styrelineal 3. Fingerskrue 4. Monteringsshul
- Skub kantstyret ind og ud til den ønskede afhøvlingsbredde, og tilspænd derefter fingerskruen for at fastgøre det i den ønskede position.  
► **Fig.22:** 1. Kantstyr 2. Fingerskrue

## Montering af dybdestyr

- Læg maskinen ned med remdækslet vendt nedad.
- Monter dybdestyret på plads ved at fastgøre det med skiven og fingerskruen i monteringshullet på siden af maskinhovedet.  
► **Fig.23:** 1. Remdæksel 2. Dybdestyr 3. Skive 4. Fingerskrue 5. Monteringsshul
- Skub dybdestyret op og ned til den ønskede afhøvlingsdybde, og tilspænd derefter fingerskruen for at fastgøre det i den ønskede position.  
► **Fig.24:** 1. Dybdestyr 2. Fingerskrue

## Montering af affaningsstøtteføring

### Ekstraudstyr

- Læg maskinen ned med frontpladen vendt opad.
- Fastgør kantstyrene på monteringsarmene, mens du justerer fremspringene på armene med styrespalterne i kantstyrene, og fastgør dem med skiverne og fingerskruerne.
- Monter affaningsstøtteføringerne (sæt af kantstyr og monteringsarme) på plads ved at fastgøre dem med fingerskruerne i monteringshullerne på begge sider af maskinhovedet.  
► **Fig.25:** 1. Frontplade 2. Kantstyr 3. Monteringsarm 4. Fremspring 5. Styrespalte 6. Skive 7. Fingerskrue 8. Monteringsshul
- Skub kantstyret ind og ud til det ønskede affaningsområde, og tilspænd derefter fingerskruerne for at fastgøre dem i den ønskede position.  
► **Fig.26:** 1. Kantstyr 2. Fingerskrue

## Udledning af støv og træflis

Støv og træflis kan frigøres fra enten venstre eller højre side af åbningerne til udledning. Tildæk en af åbningerne til udledning på siden modsat den foretrukne støvudsugningsretning med proppen.

For at løsne proppen fra åbningen til udledning, drejes proppen mod håndtaget en smule for at frigøre låsen, og træk den derefter fra hinanden.

► **Fig.27:** 1. Prop 2. Håndtag

Med hensyn til monteringen skal du indsætte proppen lige ind i en af åbningerne, mens du justerer låseslidsen i proppen med styrefremspringet på åbningen, indtil den låses på plads.

► **Fig.28:** 1. Prop 2. Låseslids 3. Styrefremspring

## Støvpose

### Ekstraudstyr

Fastgør støvposen på en af åbningerne til udledning, og skub den godt, så langt som den kan komme. Sørg for, at støvposen er forsvarligt placeret over den koniske åbning, så den ikke løsner sig under drift.

► **Fig.29:** 1. Støvpose 2. Åbning til udledning

Når støvposen er cirka halvt fyldt, tages den af maskinen, og fastgørelsesmidlet trækkes ud. Tøm støvposen. Bank let på støvposen for at fjerne de partikler, der sidder fast indvendigt, og som muligvis kan nedsætte effektiviteten af yderligere opsamling.

► **Fig.30:** 1. Fastgørelsesmiddel

**BEMÆRK:** Hvis du tilslutter en støvsuger fra Makita til denne maskine, kan der foretages mere effektivt og rent arbejde.

## Tilslutning af en støvsuger

Når du ønsker at udføre en ren afhøvling, skal du tilslutte en Makita-støvsuger til maskinen. Tilslut støvsugerens slange til en af åbningerne til udledning som vist på figuren.

► **Fig.31:** 1. Støvsuger

## Albue

### Ekstraudstyr

Brug en støvudsugningsalbue til at kondensere udsugningsluftstrømmen i de foretrukne vinkler for et renere arbejdsmiljø. Fastgør albuen i en af åbningerne til udledning, og skub den fast så langt som den vil gå.

► **Fig.32:** 1. Albue

## ANVENDELSE

**⚠FORSIGTIG:** Hold godt fast i maskinen med den ene hånd på kontakthåndtaget og den anden hånd på dybdejusteringsknappen, når maskinen anvendes.

## Afhøvling

1. Hold godt fast i maskinen med begge hænder, den ene hånd på kontakthåndtaget og den anden på dybdejusteringsknappen.

2. Placer maskinens frontplade fladt på arbejdsemnets overflade, uden at høvlbladene kommer i kontakt med hinanden.

3. Tænd for maskinen, og vent, indtil den når fuld hastighed.

4. Flyt forsigtigt maskinen fremad, og tryk lidt mere nedad på dybdejusteringsknappen i starten for at holde hele høvlemaskinens plade i vater og lige med arbejdsemnets overflade.

► **Fig.33**

5. Vær omhyggelig med at trykke jævnt over arbejdsemnets overflade midt under arbejdet, og skub maskinen støt fremad.

► **Fig.34**

**BEMÆRK:** Balancer håndtrykket mellem kontakthåndtaget og dybdejusteringsknappen, da både front- og bagpladen er i kontakt med arbejdsemnets overflade.

6. Påfør større kontrol på kontakthåndtaget for at undgå at nå for langt for enden af en passage, da frontpladen vil falde af arbejdsemnets overflade.

► **Fig.35**

**BEMÆRK:** Høvling kan nemmere udføres, hvis du placerer arbejdsemnet på en let fremadvendt hældning, så du letter på trykket for at holde maskinen under anvendelse.

**BEMÆRK:** Juster skærehastigheden og dybden for den ønskede overflade.

For at opnå en ru overflade skal du indstille skæredybden tilstrækkeligt dybt på arbejdsemnet.

Tryk langsomt på maskinen for at opnå en flot og fin overflade med en lav skæredybde, og foretag flere gennemløb.

## Falsning (profilering)

► **Fig.36**

Brug styrelinealen til at foretage en trinvis udskæring som vist i figuren.

1. Monter styrelinealen og dybdestyret på maskinen, og fastgør dem med skiverne og fingerskruerne.

2. Juster styrelinealen til falsningsdybden, og fastgør den på plads med fingerskruen.

3. Tegn en skærelinje på arbejdsemnet, og juster bladæggen i forhold til skærelinjen.

► **Fig.37:** 1. Bladæg 2. Skærelinje 3. Dybdeguide 4. Fingerskruer

**BEMÆRK:** Sørg for, at bladæggen kommer ud af tromlens sideende med 1,6 mm–1,8 mm til falsningsdybde. (Se "A" i følgende figur.)

\* Du kan vælge at lade bladenden komme ud af sideenden på frontpladen med 0,2 mm–0,4 mm. (Se "B" i følgende figur.)

► **Fig.38:** 1. Bladæg 2. Sideende på tromle  
3. Sideende på frontplade

4. Skub kantstyret i styrelinealen indad, indtil det kommer i kontakt med arbejdsemnets sidevæg. Fastgør det derefter på plads med fingerskruen.

► **Fig.39:** 1. Styrelineal 2. Kantstyr 3. Sidevæg  
4. Fingerskrue

5. Udfør høvling ved at flytte maskinen med hele kantstyret glidende langs arbejdsemnets sidevæg.

**BEMÆRK:** Kantstyrets rækkevidde kan forlænges ved at fastgøre et ekstra stykke træ til fastgørelses-hullerne i kantstyret.

► **Fig.40:** 1. Ekstra stykke træ 2. Fastgørelses-huller

## Affasning

► **Fig.41**

Brug "V"-rillerne skåret i frontpladen til at foretage et affasningsnit som vist i figuren.

Udfør høvling ved at flytte maskinen, så en af de tre "V"-riller i frontpladen justeres med arbejdsemnets hjørnekant.

► **Fig.42:** 1. V-rille (medium mængde affasning)  
2. V-rille (lille mængde affasning) 3. V-rille (stor mængde affasning)

## Brug af affasningsstøtteføringer

### Ekstraudstyr

1. Skub kantstyrene i affasningsstøtteføringerne indad, indtil de kommer i kontakt med arbejdsemnets hjørnevægge.

2. Fastgør kantstyrene på plads med fingerskruerne.

3. Udfør høvling ved at flytte maskinen med hele kantstyrene glidende langs arbejdsemnets hjørnevægge.

► **Fig.43:** 1. Affasningsstøtteføring 2. Kantstyr  
3. Fingerskrue

**BEMÆRK:** I forbindelse med store affasninger foretages mange gennemløb af høvling, startende med en lille affasning til en større affasning, som vist på figuren.

► **Fig.44:** 1. Kant på affasningsstøtteføring 2. Lille affasning 3. Stor affasning

# TRÅDLØS AKTIVERINGSFUNKTION

## Hvad kan du foretage dig med den trådløse aktiveringsfunktion

Den trådløse aktiveringsfunktion muliggør ren og behagelig anvendelse. Hvis der sluttes en understøttet støvsuger til maskinen, kan du lade støvsugeren køre automatisk, når kontakten på maskinen betjenes.

► **Fig.45**

Hvis du vil bruge den trådløse aktiveringsfunktion, skal du forberede følgende genstande:

- En trådløs enhed (ekstraudstyr)
- En støvsuger, der understøtter den trådløse aktiveringsfunktion

Følgende er et overblik over indstilling af den trådløse aktiveringsfunktion. Se de enkelte afsnit for detaljerede procedurer.

1. Montering af en trådløs enhed
2. Maskinregistrering til støvsugeren
3. Start af den trådløse aktiveringsfunktion

## Montering af en trådløs enhed

### Ekstraudstyr

**⚠FORSIGTIG:** Placer maskinen på en flad og stabil overflade, når den trådløse enhed monteres.

**BEMÆRKNING:** Fjern støv og snavs fra maskinen, før den trådløse enhed monteres. Støv eller snavs kan forårsage funktionsfejl, hvis det kommer ind i åbningen til den trådløse enhed.

**BEMÆRKNING:** For at forhindre fejlfunktion forårsaget af statisk elektricitet skal du berøre et statisk afledende materiale som f.eks. en metaldele på maskinen, før du tager den trådløse enhed op.

**BEMÆRKNING:** Ved montering af den trådløse enhed skal du altid sikre dig, at den trådløse enhed er indsat i den korrekte retning, og at låget er lukket helt.

1. Åbn låget på maskinen som vist på figuren.

► **Fig.46:** 1. Låg

2. Indsæt den trådløse enhed i åbningen, og luk derefter låget.

Ved indsættelse af den trådløse enhed skal fremspringene justeres i forhold til de forsænkede dele på åbningen.

► **Fig.47:** 1. Trådløs enhed 2. Fremspring 3. Låg  
4. Forsænket del

Ved fjernelse af den trådløse enhed åbnes låget langsomt. Krogene bag på låget løfter den trådløse enhed, når du trækker låget op.

► **Fig.48:** 1. Trådløs enhed 2. Krog 3. Låg

Når den trådløse enhed er fjernet, skal den opbevares i den medfølgende æske eller i en beholder, der er fri for statisk elektricitet.

**BEMÆRKNING:** Brug altid krogene bag på låget ved fjernelse af den trådløse enhed. Hvis krogene ikke griber fat i den trådløse enhed, skal du lukke låget helt og åbne det langsomt igen.

## Maskinregistrering til støvsugeren

**BEMÆRK:** Du skal bruge en Makita-støvsuger, der understøtter den trådløse aktiveringsfunktion, til maskinregistreringen.

**BEMÆRK:** Afslut monteringen af den trådløse enhed på maskinen, før maskinregistreringen startes.

**BEMÆRK:** Under maskinregistreringen må du ikke trykke på afbryderknappen eller tænde for hovedafbryderen på støvsugeren.

**BEMÆRK:** Se også i brugsanvisningen til støvsugeren.

Hvis du vil aktivere støvsugeren, når kontakten på maskinen betjenes, skal du først afslutte maskinregistreringen.

1. Sæt batterierne i støvsugeren og maskinen.
2. Sæt standby-kontakten på støvsugeren til "AUTO".

► **Fig.49:** 1. Standby-kontakt

3. Tryk på den trådløse aktiveringsknap på støvsugeren i 3 sekunder, indtil den trådløse aktiveringslampe blinker grønt. Tryk derefter på den trådløse aktiveringsknap på maskinen på samme måde.

► **Fig.50:** 1. Trådløs aktiveringsknap 2. Trådløs aktiveringslampe

Hvis støvsugeren og maskinen sammenkædes korrekt, lyser de trådløse aktiveringslamper grønt i 2 sekunder og begynder at blinke blåt.

**BEMÆRK:** De trådløse aktiveringslamper holder op med at blinke grønt efter 20 sekunder. Tryk på den trådløse aktiveringsknap på maskinen, når den trådløse aktiveringslampe på støvsugeren blinker. Hvis den trådløse aktiveringslampe ikke blinker grønt, skal du trykke kortvarigt på den trådløse aktiveringsknap og holde den nede igen.

**BEMÆRK:** Når der udføres to eller flere maskinregistreringer for én støvsuger, skal maskinregistreringerne udføres en for en.

## Start af den trådløse aktiveringsfunktion

**BEMÆRK:** Afslut maskinregistreringen for støvsugeren før den trådløse aktivering.

**BEMÆRK:** Se også i brugsanvisningen til støvsugeren.

Når en maskine er registreret til støvsugeren, kører støvsugeren automatisk, når kontakten på maskinen betjenes.

1. Monter den trådløse enhed på maskinen.
2. Slut støvsugerens slange til maskinen.

► **Fig.51**

3. Sæt standby-kontakten på støvsugeren til "AUTO".

► **Fig.52:** 1. Standby-kontakt

4. Tryk kortvarigt på den trådløse aktiveringsknap på maskinen. Den trådløse aktiveringslampe blinker blåt.

► **Fig.53:** 1. Trådløs aktiveringsknap 2. Trådløs aktiveringslampe

5. Tænd for maskinen. Kontroller, om støvsugeren kører, mens maskinen er i drift.

Tryk på den trådløse aktiveringsknap på maskinen for at stoppe den trådløse aktivering af støvsugeren.

**BEMÆRK:** Den trådløse aktiveringslampe på maskinen holder op med at blinke blåt, hvis der ikke sker nogen betjening i 2 timer. Indstil i så fald standby-kontakten på støvsugeren til "AUTO", og tryk på den trådløse aktiveringsknap på maskinen igen.

**BEMÆRK:** Støvsugeren starter/stopper med en forsinkelse. Der er en forsinkelse, når støvsugeren registrerer en betjening af kontakten på maskinen.

**BEMÆRK:** Den trådløse enheds transmissionsafstand kan variere afhængigt af placeringen og de omgivende forhold.










**BEMÆRK:** Når to eller flere maskiner er registreret til én støvsuger, kan støvsugeren begynde at køre, selvom du ikke tænder for maskinen, fordi en anden bruger anvender den trådløse aktiveringsfunktion.



## Beskrivelse af den trådløse aktiveringslampe status

### ► Fig.54: 1. Trådløs aktiveringslampe

Den trådløse aktiveringslampe viser status for den trådløse aktiveringsfunktion. Se i tabellen nedenfor vedrørende betydningen af lampens status.

Status	Trådløs aktiveringslampe				Beskrivelse
	Farve	 Tændt	 Blinker	Varighed	
Standby	Blå			2 timer	Den trådløse aktivering af støvsugeren er tilgængelig. Lampen slukkes automatisk, hvis der ikke sker nogen betjening i 2 timer.
				Når maskinen kører.	Den trådløse aktivering af støvsugeren er tilgængelig, og maskinen kører.
Maskinregistrering	Grøn			20 sekunder	Klar til maskinregistrering. Venter på registrering fra støvsugeren.
				2 sekunder	Maskinregistreringen er fuldført. Den trådløse aktiveringslampe begynder at blinke blåt.
Annullerer maskinregistrering	Rød			20 sekunder	Klar til annullering af maskinregistrering. Venter på annullering fra støvsugeren.
				2 sekunder	Annulleringen af maskinregistreringen er fuldført. Den trådløse aktiveringslampe begynder at blinke blåt.
Andre	Rød			3 sekunder	Der er strøm til den trådløse enhed, og den trådløse aktiveringsfunktion starter.
	Slukket		-	-	Den trådløse aktivering af støvsugeren er stoppet.

## annullerer maskinregistrering for støvsugeren

Benyt følgende fremgangsmåde ved annullering af maskinregistreringen for støvsugeren.

1. Sæt batterierne i støvsugeren og maskinen.
2. Sæt standby-kontakten på støvsugeren til "AUTO".

### ► Fig.55: 1. Standby-kontakt

3. Tryk på den trådløse aktiveringsknap på støvsugeren i 6 sekunder. Den trådløse aktiveringslampe blinker grønt og bliver derefter rød. Tryk derefter på den trådløse aktiveringsknap på maskinen på samme måde.

### ► Fig.56: 1. Trådløs aktiveringsknap 2. Trådløs aktiveringslampe

Hvis annulleringen gennemføres korrekt, lyser de trådløse aktiveringslamper rødt i 2 sekunder og begynder at blinke blåt.

**BEMÆRK:** De trådløse aktiveringslamper holder op med at blinke rødt efter 20 sekunder. Tryk på den trådløse aktiveringsknap på maskinen, når den trådløse aktiveringslampe på støvsugeren blinker. Hvis den trådløse aktiveringslampe ikke blinker rødt, skal du trykke kortvarigt på den trådløse aktiveringsknap og holde den nede igen.

## Fejlfinding i forbindelse med den trådløse aktiveringsfunktion

Udfør selv en inspektion, inden De anmoder om reparation. Hvis De opdager et problem, som ikke er forklaret i brugsanvisningen, må De ikke forsøge at adskille maskinen. Rådfør Dem i stedet med et autoriseret Makita Servicecenter, og brug altid originale Makita udskiftningsdele til reparationer.

Unormal tilstand	Sandsynlig årsag (fejl)	Afhjælpning
Den trådløse aktiveringslampe tændes/blinker ikke.	Den trådløse enhed er ikke monteret på maskinen. Den trådløse enhed er ikke monteret korrekt på maskinen.	Monter den trådløse enhed korrekt.
	Terminalen på den trådløse enhed og/eller åbningen er snavset.	Aftør forsigtigt støv og snavs på terminalen på den trådløse enhed, og rengør åbningen.
	Der er ikke trykket på den trådløse aktiveringsknap på maskinen.	Tryk kortvarigt på den trådløse aktiveringsknap på maskinen.
	Standby-kontakten på støvsugeren er ikke indstillet til "AUTO".	Sæt standby-kontakten på støvsugeren til "AUTO".
	Ingen strømforsyning	Tilfør strøm til maskinen og støvsugeren.
Kan ikke afslutte maskinregistrering/annullering af maskinregistrering korrekt.	Den trådløse enhed er ikke monteret på maskinen. Den trådløse enhed er ikke monteret korrekt på maskinen.	Monter den trådløse enhed korrekt.
	Terminalen på den trådløse enhed og/eller åbningen er snavset.	Aftør forsigtigt støv og snavs på terminalen på den trådløse enhed, og rengør åbningen.
	Standby-kontakten på støvsugeren er ikke indstillet til "AUTO".	Sæt standby-kontakten på støvsugeren til "AUTO".
	Ingen strømforsyning	Tilfør strøm til maskinen og støvsugeren.
	Forkert betjening	Tryk kortvarigt på den trådløse aktiveringsknap, og udfør procedurerne for maskinregistrering/annullering igen.
	Maskinen og støvsugeren er ikke i nærheden af hinanden (uden for transmissionsafstand).	Flyt maskinen og støvsugeren tættere på hinanden. Den maksimale transmissionsafstand er cirka 10 m, men kan variere afhængigt af forholdene.
	Før du afslutter registreringen/annulleringen af maskinen; - er kontakten på maskinen tændt eller; - er tænd/sluk-knappen på støvsugeren tændt.	Tryk kortvarigt på den trådløse aktiveringsknap, og udfør procedurerne for maskinregistrering/annullering igen.
	Maskinregistreringsprocedurerne på maskinen eller støvsugeren er ikke fuldført.	Gennemfør maskinregistreringsprocedurerne både på maskinen og støvsugeren på samme tid.
	Radiointerferens fra andre apparater, der udsender højintens radiobølger.	Hold maskinen og støvsugeren væk fra apparater som f.eks. Wi-Fi-enheder og mikrobølgeovne.
	Støvsugeren kører ikke, når kontakten på maskinen betjenes.	Den trådløse enhed er ikke monteret på maskinen. Den trådløse enhed er ikke monteret korrekt på maskinen.
Terminalen på den trådløse enhed og/eller åbningen er snavset.		Aftør forsigtigt støv og snavs på terminalen på den trådløse enhed, og rengør åbningen.
Der er ikke trykket på den trådløse aktiveringsknap på maskinen.		Tryk kortvarigt på den trådløse aktiveringsknap, og kontroller, at den trådløse aktiveringslampe blinker blå.
Standby-kontakten på støvsugeren er ikke indstillet til "AUTO".		Sæt standby-kontakten på støvsugeren til "AUTO".
Der er registreret mere end 10 maskiner til støvsugeren.		Udfør maskinregistreringen igen. Hvis der er registreret mere end 10 maskiner til støvsugeren, bliver den maskine, der blev registreret tidligst, automatisk annulleret.
Støvsugeren har slettet alle maskinregistreringer.		Udfør maskinregistreringen igen.
Ingen strømforsyning		Tilfør strøm til maskinen og støvsugeren.
Maskinen og støvsugeren er ikke i nærheden af hinanden (uden for transmissionsafstand).		Flyt maskinen og støvsugeren tættere på hinanden. Den maksimale transmissionsafstand er cirka 10 m, men kan variere afhængigt af forholdene.
Radiointerferens fra andre apparater, der udsender højintens radiobølger.		Hold maskinen og støvsugeren væk fra apparater som f.eks. Wi-Fi-enheder og mikrobølgeovne.
Støvsugeren kører, mens maskinen ikke er i drift.		Andre brugere anvender den trådløse aktivering af støvsugeren med deres maskiner.

## VEDLIGEHOJDELSE

**⚠FORSIGTIG:** Vær altid sikker på, at værktøjet er slukket, og at akkuen er taget ud, inden De begynder at udføre inspektion eller vedligeholdelse.

**BEMÆRKNING:** Anvend aldrig benzin, rensebenzin, fortynder, alkohol og lignende. Det kan medføre misfarvning, deformation eller revner.

For at opretholde produktets SIKKERHED og PÅLIDELIGHED må reparation, vedligeholdelse eller justering kun udføres af et autoriseret Makita servicecenter eller fabrikksservicecenter med anvendelse af Makita reservedele.

## Rensning af åbninger til spånudledning

Rengør åbningerne til spånudledning regelmæssigt. Brug trykluft til at rense de tilstoppede åbninger til spånudledning.

## Slibning af blade

### *Kun for konventionelle høvlblade*

Hold altid høvlbladene skarpe for at opnå den bedste ydeevne. Brug slibningsholderen (ekstraudstyr) for at forfine høvlbladets kanter sikkert og effektivt.

► **Fig.57:** 1. Slibningsholder 2. Blade

1. Løsn de to vingemøtrikker i slibningsholderen.
2. Skub høvlbladenes bagender ind i monteringsåbningerne, så langt som de kan komme med skærekantene, der skal slibes, vendt nedad.  
► **Fig.58:** 1. Slibningsholder 2. Vingemøtrik 3. Blade  
4. Skærekant 5. Monteringsåbninger  
6. Bolthoved
3. Tilspænd vingemøtrikkerne for at fastgøre høvlbladene på plads.
4. Læg en slibesten i blød i vand i 2 eller 3 minutter før slibning.
5. Hold godt fast i slibningsholderen, og placer forsigtigt skærekantene over afrettestenens overflade.
6. Slib skærekantene ved at flytte slibningsholderen frem og tilbage.  
► **Fig.59**

## EKSTRAUDSTYR

**⚠FORSIGTIG:** Det følgende tilbehør og ekstraudstyr er anbefalet til brug med Deres Makita maskine, der er beskrevet i denne brugsanvisning. Anvendelse af andet tilbehør eller ekstraudstyr kan udgøre en risiko for personskade. Anvend kun tilbehør og ekstraudstyr til det beskrevne formål.

Hvis du behøver hjælp til at få yderligere information om dette tilbehør, bedes du kontakte dit lokale Makita-servicecenter.

- Stålhøvlblad til høj hastighed
- Høvlblad af wolframcarbide (for længere bladlevetid)
- Minihøvlblad
- Slibningsholdermontering
- Bladmålermontering
- Støttepladesæt
- Styrelinealmontering
- Afrettesten
- Støvpøsemontering
- Albue
- Affasningsstøtteføringsmontering
- Trådløs enhed
- Original Makita-akku og oplader

**BEMÆRK:** Nogle ting på denne liste kan være inkluderet i værktøjsspakken som standardtilbehør. Det kan være forskellige fra land til land.

## ΠΡΟΔΙΑΓΡΑΦΕΣ

<b>Μοντέλο:</b>	<b>KP001G</b>
Πλάτος πλανίσματος	82 mm
Βάθος πλανίσματος	4 mm
Βάθος δημιουργίας αυλακιών	25 mm
Ταχύτητα χωρίς φορτίο	15.000 min <sup>-1</sup>
Συνολικό μήκος (με BL4040)	385 mm
Ονομαστική τάση	D.C. 36 V - 40 V max
Καθαρό βάρος	3,7 - 4,9 kg

- Λόγω του συνεχιζόμενου προγράμματος έρευνας και ανάπτυξης, οι προδιαγραφές αυτές υπόκεινται σε αλλαγές χωρίς προειδοποίηση.
- Οι προδιαγραφές και η κασέτα μπαταριών μπορεί να διαφέρουν ανάλογα με τη χώρα.
- Το βάρος μπορεί να διαφέρει ανάλογα με τα προσαρτήματα, συμπεριλαμβάνοντας την κασέτα μπαταριών. Ο ελαφρύτερος και ο βαρύτερος συνδυασμός, σύμφωνα με τη διαδικασία ΕΡΤΑ 01/2014, παρουσιάζονται στον πίνακα.

## Ισχύουσα κασέτα μπαταριών και φορτιστής

Κασέτα μπαταρίας	BL4020* / BL4025* / BL4040* / BL4050F / BL4080F * : Συνιστώμενη μπαταρία
Φορτιστής	DC40RA / DC40RB / DC40RC

- Ορισμένες από τις κασέτες και τους φορτιστές μπαταριών που αναγράφονται παραπάνω ίσως να μην είναι διαθέσιμοι, ανάλογα με την τοποθεσία κατοικίας σας.

**⚠ ΠΡΟΕΙΔΟΠΟΙΗΣΗ:** Να χρησιμοποιείτε μόνο τις κασέτες μπαταριών και τους φορτιστές που παρτίθενται ανωτέρω. Η χρήση οποιασδήποτε άλλης κασέτας μπαταριών ή φορτιστή μπορεί να προκαλέσει τραυματισμό ή/και πυρκαγιά.

## Προοριζόμενη χρήση

Το εργαλείο προορίζεται για το πλάνισμα ξύλου.

## Θόρυβος

Το τυπικό Α επίπεδο καταμετρημένου θορύβου καθορίζεται σύμφωνα με το EN62841-2-14:  
Στάθμη ηχητικής πίεσης (L<sub>PA</sub>): 90 dB (A)  
Στάθμη ηχητικής ισχύος (L<sub>WA</sub>): 98 dB (A)  
Αβεβαιότητα (K): 3 dB (A)

**ΠΑΡΑΤΗΡΗΣΗ:** Η δηλωμένη τιμή(ές) εκπομπής θορύβου έχει μετρηθεί σύμφωνα με την πρότυπη μέθοδο δοκιμής και μπορεί να χρησιμοποιηθεί για τη σύγκριση ενός εργαλείου με κάποιο άλλο.

**ΠΑΡΑΤΗΡΗΣΗ:** Η δηλωμένη τιμή(ές) εκπομπής θορύβου μπορεί να χρησιμοποιηθεί και στην προκαταρκτική αξιολόγηση της έκθεσης.

**⚠ ΠΡΟΕΙΔΟΠΟΙΗΣΗ:** Να φοράτε ωτοασπίδες.

**⚠ ΠΡΟΕΙΔΟΠΟΙΗΣΗ:** Η εκπομπή θορύβου κατά τη χρήση του ηλεκτρικού εργαλείου σε πραγματικές συνθήκες μπορεί να διαφέρει από τη δηλωμένη τιμή(ές) ανάλογα με τους τρόπους χρήσης του εργαλείου, ιδιαίτερα το είδος του τεμαχίου εργασίας που υπόκειται επεξεργασία.

**⚠ ΠΡΟΕΙΔΟΠΟΙΗΣΗ:** Φροντίστε να λάβετε τα κατάλληλα μέτρα προστασίας του χειριστή βάσει ενός υπολογισμού της έκθεσης σε πραγματικές συνθήκες χρήσης (λαμβάνοντας υπόψη όλες τις συνιστώσες του κύκλου λειτουργίας όπως τους χρόνους που το εργαλείο είναι εκτός λειτουργίας και όταν βρίσκεται σε αδρανή λειτουργία πέραν του χρόνου ενεργοποίησης).

## Κραδασμός

Η ολική τιμή δόνησης (άθροισμα τρι-αξονικού διανύσματος) καθορίζεται σύμφωνα με το EN62841-2-14:  
Είδος εργασίας: λείανση επιφανείας  
Εκπομπή δόνησης (a<sub>h</sub>): 4,3 m/s<sup>2</sup>  
Αβεβαιότητα (K): 1,5 m/s<sup>2</sup>

**ΠΑΡΑΤΗΡΗΣΗ:** Η δηλωμένη τιμή(ές) συνολικών κραδασμών έχει μετρηθεί σύμφωνα με την πρότυπη μέθοδο δοκιμής και μπορεί να χρησιμοποιηθεί για τη σύγκριση ενός εργαλείου με κάποιο άλλο.

**ΠΑΡΑΤΗΡΗΣΗ:** Η δηλωμένη τιμή(ές) συνολικών κραδασμών μπορεί να χρησιμοποιηθεί και στην προκαταρκτική αξιολόγηση της έκθεσης.

**⚠️ ΠΡΟΕΙΔΟΠΟΙΗΣΗ:** Η εκπομπή κραδασμών κατά τη χρήση του ηλεκτρικού εργαλείου σε πραγματικές συνθήκες μπορεί να διαφέρει από τη δηλωμένη τιμή(ές) εκπομπής ανάλογα με τους τρόπους χρήσης του εργαλείου, ιδιαίτερα το είδος του τεμαχίου εργασίας που υπόκειται επεξεργασία.

**⚠️ ΠΡΟΕΙΔΟΠΟΙΗΣΗ:** Φροντίστε να λάβετε τα κατάλληλα μέτρα προστασίας του χειριστή βάσει ενός υπολογισμού της έκθεσης σε πραγματικές συνθήκες χρήσης (λαμβάνοντας υπόψη όλες τις συνιστώσες του κύκλου λειτουργίας όπως τους χρόνους που το εργαλείο είναι εκτός λειτουργίας και όταν βρίσκεται σε αδρανή λειτουργία πέραν του χρόνου ενεργοποίησης).

## Δήλωση Συμμόρφωσης

*Μόνο για χώρες της Ευρώπης*

Οι Δηλώσεις Συμμόρφωσης περιλαμβάνονται στο Παράρτημα Α στο παρόν εγχειρίδιο οδηγιών.

## ΠΡΟΕΙΔΟΠΟΙΗΣΕΙΣ ΑΣΦΑΛΕΙΑΣ

### Γενικές προειδοποιήσεις ασφαλείας για το ηλεκτρικό εργαλείο

**⚠️ ΠΡΟΕΙΔΟΠΟΙΗΣΗ:** Διαβάστε όλες τις προειδοποιήσεις ασφαλείας, οδηγίες, εικονογραφίες και προδιαγραφές που παρέχονται με αυτό το ηλεκτρικό εργαλείο. Η μη τήρηση όλων των οδηγιών που αναγράφονται κατωτέρω μπορεί να καταλήξει σε ηλεκτροπληξία, πυρκαγιά ή/και σοβαρό τραυματισμό.

### Φυλάξτε όλες τις προειδοποιήσεις και τις οδηγίες για μελλοντική παραπομπή.

Στις προειδοποιήσεις, ο όρος «ηλεκτρικό εργαλείο» αναφέρεται σε ηλεκτρικό εργαλείο που τροφοδοτείται από την κύρια παροχή ηλεκτρικού ρεύματος (με ηλεκτρικό καλώδιο) ή σε ηλεκτρικό εργαλείο που τροφοδοτείται από μπαταρία (χωρίς ηλεκτρικό καλώδιο).

### Προειδοποιήσεις ασφαλείας για τη φορητή πλάνη

1. Περιμένετε να σταματήσει ο κόπτης πριν αφήσετε κάτω το εργαλείο. Αν ο κόπτης είναι εκτεθειμένος μπορεί να πιαστεί στην επιφάνεια με αποτέλεσμα πιθανή απώλεια του ελέγχου και σοβαρό τραυματισμό.
2. Να χρησιμοποιείτε σφιγκτήρες ή κάποιο άλλο πρακτικό μέσο για να ασφαλίσετε και να στηρίξετε το τεμάχιο εργασίας σε μια σταθερή πλατφόρμα. Αν κρατάτε το τεμάχιο εργασίας με το χέρι σας ή επάνω στο σώμα σας, αυτό θα είναι ασταθές και μπορεί να χάσετε τον έλεγχο.

3. Δεν πρέπει να αφήνετε ποτέ κουρέλια, πανιά, νήματα, σκονιά και παρόμοια αντικείμενα γύρω από την περιοχή εργασίας.
4. Να αποφεύγετε την κοπή καρφών. Πριν από τη λειτουργία, να ελέγχετε αν υπάρχουν καρφιά στο τεμάχιο εργασίας και να τα αφαιρείτε όλα αν υπάρχουν.
5. Να χρησιμοποιείτε μόνο αιχμηρές λάμες. Να χειρίζεστε τις λάμες πολύ προσεκτικά.
6. Βεβαιωθείτε ότι τα μπουλόνια τοποθέτησης λάμας είναι καλά σφιγμένα πριν από τη λειτουργία.
7. Κρατήστε το εργαλείο σταθερά με τα δύο χέρια.
8. Μην πλησιάζετε τα χέρια σας σε περιστρεφόμενα μέρη.
9. Πριν από τη χρήση του εργαλείου πάνω σε πραγματικό τεμάχιο εργασίας, αφήστε το σε λειτουργία για λίγο. Να προσέχετε για δονήσεις ή κινήσεις που θα μπορούσαν να υποδειξουν κακή τοποθέτηση ή κακή ισορροπηση της λάμας.
10. Να βεβαιώνεστε ότι η λάμα δεν ακουμπάει το τεμάχιο εργασίας πριν ενεργοποιείτε το διακόπτη λειτουργίας.
11. Περιμένετε έως ότου η λάμα φτάσει στην πλήρη ταχύτητά της πριν κόψετε.
12. Πριν ρυθμίσετε το βάθος κοπής, να απενεργοποιείτε πάντα το εργαλείο και να περιμένετε να σταματήσουν να κινούνται εντελώς οι λάμες.
13. Μην βάζετε ποτέ το δάκτυλό σας κοντά στο στόμιο θραυσμάτων. Το στόμιο μπορεί να φράξει όταν κόβετε νωπό ξύλο. Καθαρίστε τα θραύσματα με μια ξύλινη ράβδο.
14. Μην αφήνετε το εργαλείο σε λειτουργία. Να χειρίζεστε το εργαλείο μόνο όταν το κρατάτε με τα χέρια σας.
15. Όταν αντικαθιστάτε τις λάμες ή μερικά μέρη στο τύμπανο, φροντίστε να αντικαταστήσετε τα μέρη και στις δύο πλευρές του τυμπάνου ως σύνολο. Διαφορετικά, η προκύπτουσα αστάθεια θα προκαλέσει δόνηση και συντόμευση της ζωής του εργαλείου.
16. Να χρησιμοποιείτε μόνο λάμες της Makita που υποδεικνύονται σε αυτό το εγχειρίδιο.
17. Να χρησιμοποιείτε πάντοτε προσωπικά κατά τη σκόνη ή να απνευστήρα που είναι κατάλληλος για το υλικό και την εφαρμογή σας.
18. Να χρησιμοποιείτε το εργαλείο σε σταθερή κατάσταση. Η λειτουργία σε ασταθή κατάσταση μπορεί να προκαλέσει ζημιά ή τραυματισμό.

### ΦΥΛΑΞΤΕ ΤΙΣ ΟΔΗΓΙΕΣ ΑΥΤΕΣ.

**⚠️ ΠΡΟΕΙΔΟΠΟΙΗΣΗ:** ΜΗΝ επιτρέψετε στην άνεση ή στην εξοικειωσή σας με το προϊόν (που αποκτήθηκε από επανειλημμένη χρήση) να αντικαταστήσει την αυστηρή τήρηση των κανόνων ασφαλείας του παρόντος εργαλείου.

Η ΛΑΝΘΑΣΜΕΝΗ ΧΡΗΣΗ ή η αμέλεια να ακολουθήσετε τους κανόνες ασφαλείας που διατυπώνονται στο παρόν εγχειρίδιο οδηγιών μπορεί να προκαλέσει σοβαρό προσωπικό τραυματισμό.

## Σημαντικές οδηγίες ασφάλειας για κασέτα μπαταριών

1. Πριν χρησιμοποιήσετε την κασέτα μπαταριών, διαβάστε όλες τις οδηγίες και σημειώσεις προφυλάξης (1) στον φορτιστή μπαταριών, (2) στην μπαταρία και (3) στο προϊόν που χρησιμοποιείτε την μπαταρία.
2. Μην απουναρμολογήσετε ή παραβιάσετε την κασέτα μπαταριών. Μπορεί να έχει ως αποτέλεσμα πυρκαγιά, υπερθέρμανση ή έκρηξη.
3. Εάν ο χρόνος λειτουργίας έχει γίνει υπερβολικά βραχύς, σταματήστε τη λειτουργία αμέσως. Αλλιώς, μπορεί να έχει ως αποτέλεσμα κίνδυνο υπερθέρμανσης, πιθανά εγκαύματα ή ακόμη και έκρηξη.
4. Εάν ηλεκτρολύτης μπει στα μάτια σας, ξεπλύνετε τα με καθαρό νερό και ζητήστε ιατρική φροντίδα αμέσως. Αλλιώς, μπορεί να έχει ως αποτέλεσμα απώλεια της όρασης σας.
5. Μην βραχυκυκλώνετε την κασέτα μπαταριών:
  - (1) Μην αγγίζετε τους πόλους με οτιδήποτε αγώγιμο υλικό.
  - (2) Αποφύγετε να αποθηκεύετε την κασέτα μπαταριών μέσα σε ένα δοχείο μαζί με άλλα μεταλλικά αντικείμενα όπως καρφιά, νομίσματα, κλπ.
  - (3) Μην εκθέτετε την κασέτα μπαταριών στο νερό ή στη βροχή.

Ένα βραχυκύκλωμα μπαταρίας μπορεί να προκαλέσει μεγάλη ροή ρεύματος, υπερθέρμανση, πιθανά εγκαύματα ακόμη και σοβαρή βλάβη.

6. Μην αποθηκεύετε και μην χρησιμοποιείτε το εργαλείο και την κασέτα μπαταριών σε τοποθεσίες όπου η θερμοκρασία μπορεί να φτάσει ή να ξεπεράσει τους 50 °C.
7. Μην καίτε την κασέτα μπαταριών ακόμη και εάν έχει σοβαρή ζημιά ή είναι εντελώς φθαρμένη. Η κασέτα μπαταριών μπορεί να εκραγεί στη φωτιά.
8. Μην καρφώσετε, κόψετε, συνθλίψετε, πετάξετε ή ρίξετε κάτω την κασέτα μπαταριών, ούτε να χτυπήσετε ένα σκληρό αντικείμενο επάνω στην κασέτα μπαταριών. Τέτοια συμπεριφορά μπορεί να έχει ως αποτέλεσμα πυρκαγιά, υπερθέρμανση ή έκρηξη.
9. Μην χρησιμοποιείτε μπαταρία που έχει υποστεί ζημιά.
10. Οι μπαταρίες ιόντων λιθίου που περιέχονται υπόκεινται στις απαιτήσεις της νομοθεσίας για επικίνδυνα αγαθά.

Για εμπορικές μεταφορές, για παράδειγμα από τρίτα μέρη, πρέπει να τηρούνται οι διαμεταφορές, οι ειδικές απαιτήσεις στη συσκευασία και η επισήμανση.

Για προετοιμασία του στοιχείου που αποστράγγεται, είναι απαραίτητο να συμβουλευτείτε έναν ειδικό για επικίνδυνα υλικά. Επίσης, τηρήστε τους πιθανούς, πιο αναλυτικούς εθνικούς κανονισμούς. Καλύψτε με αυτοκόλλητη ταινία ή κρύψτε τις ανοικτές επαφές και συσκευάστε την μπαταρία με τρόπο που να μην μπορεί να μετακινείται μέσα στη συσκευασία.

11. Όταν απορρίπτετε την κασέτα μπαταριών, αφαιρέστε την από το εργαλείο και διαθέστε τη σε ένα ασφαλές μέρος. Τηρήστε τους τοπικούς κανονισμούς που σχετίζονται με τη διάθεση της μπαταρίας.
12. Χρησιμοποιήστε τις μπαταρίες μόνο με τα προϊόντα που καθορίζει η Makita. Αν τοποθετήσετε τις μπαταρίες σε μη συμβατά προϊόντα μπορεί να έχει ως αποτέλεσμα πυρκαγιά, υπερβολική θερμότητα, έκρηξη ή διαρροή ηλεκτρολύτη.
13. Αν δεν χρησιμοποιείτε το εργαλείο για μεγάλο χρονικό διάστημα, πρέπει να βγάλετε την μπαταρία από το εργαλείο.
14. Κατά τη διάρκεια και μετά τη χρήση, η κασέτα μπαταριών μπορεί να θερμανθεί, γεγονός που μπορεί να προκαλέσει εγκαύματα ή εγκαύματα από χαμηλή θερμοκρασία. Προσέχετε το χειρισμό των ζεστών κασετών μπαταριών.
15. Μην αγγίζετε τον ακροδέκτη του εργαλείου αμέσως μετά τη χρήση επειδή μπορεί να έχει ζεσταθεί αρκετά για να προκαλέσει εγκαύματα.
16. Μην αφήνετε θραύσματα, σκόνη ή βρομιά να κολλήσει στους ακροδέκτες, τις σπές και τις εγκοπές της κασέτας μπαταριών. Μπορεί να προκαλέσει θέρμανση, φωτιά, έκρηξη και δυσλειτουργία του εργαλείου ή της κασέτας μπαταριών, έχοντας ως αποτέλεσμα εγκαύματα ή προσωπικό τραυματισμό.
17. Εκτός αν το εργαλείο υποστηρίζει τη χρήση κοντά σε ηλεκτρικές γραμμές υψηλής τάσης, μην χρησιμοποιείτε την κασέτα μπαταριών κοντά σε ηλεκτρικές γραμμές υψηλής τάσης. Μπορεί να έχει ως αποτέλεσμα δυσλειτουργία ή στάσιμο του εργαλείου ή της κασέτας μπαταριών.
18. ΚρΦυλάξτε την μπαταρία μακριά από παιδιά.

## ΦΥΛΑΞΤΕ ΤΙΣ ΟΔΗΓΙΕΣ ΑΥΤΕΣ.

**▲ΠΡΟΣΟΧΗ:** Να χρησιμοποιείτε μόνο γνήσιες μπαταρίες της Makita. Η χρήση μη γνήσιων μπαταριών Makita, ή μπαταριών που έχουν τροποποιηθεί, μπορεί να έχει ως αποτέλεσμα τη ρήξη της μπαταρίας, προκαλώντας πυρκαγιά, προσωπικό τραυματισμό και βλάβη. Επίσης, θα ακυρωθεί η εγγύηση της Makita για το εργαλείο και φορτιστή Makita.

## Συμβουλές για τη διατήρηση της μέγιστης ζωής μπαταρίας

1. Φορτίζετε την κασέτα μπαταριών πριν από την πλήρη αποφόρτίσή της. Πάντοτε να σταματάτε τη λειτουργία του εργαλείου και να φορτίζετε την κασέτα μπαταριών όταν παρατηρήσετε μειωμένη ισχύ εργαλείου.
2. Ποτέ μην επαναφορτίζετε μια πλήρως φορτισμένη κασέτα μπαταριών. Η υπερφόρτιση μειώνει την ωφέλιμη ζωή της μπαταρίας.
3. Να φορτίζετε την κασέτα μπαταριών σε θερμοκρασία δωματίου, δηλαδή στους 10 °C έως 40 °C. Αφήστε μια θερμή κασέτα μπαταριών να κρυώσει πριν την φορτίσετε.
4. Όταν δεν χρησιμοποιείτε την κασέτα μπαταριών, αφαιρέστε την από το εργαλείο ή τον φορτιστή.
5. Να φορτίζετε την κασέτα μπαταριών εάν δεν τη χρησιμοποιείτε για μεγάλη χρονική περίοδο (περισσότερο από έξι μήνες).

## Σημαντικές οδηγίες ασφάλειας για την ασύρματη μονάδα

- Μην αποσυναρμολογείτε ή παραβιάζετε την ασύρματη μονάδα.
- Διατηρείτε την ασύρματη μονάδα μακριά από μικρά παιδιά. Αν καταποθεί κατά λάθος, αναζητήστε αμέσως ιατρική βοήθεια.
- Να χρησιμοποιείτε την ασύρματη μονάδα μόνο με εργαλεία της Makita.
- Μην εκθέτετε την ασύρματη μονάδα στη βροχή ή σε υγρές συνθήκες.
- Μη χρησιμοποιείτε την ασύρματη μονάδα σε μέρη όπου η θερμοκρασία ξεπερνάει τους 50 °C.
- Μη θέτετε την ασύρματη μονάδα σε λειτουργία σε μέρη όπου υπάρχουν ιατρικά όργανα, όπως καρδιακοί βηματοδότες.
- Μη θέτετε την ασύρματη μονάδα σε λειτουργία σε μέρη όπου υπάρχουν αυτοματοποιημένες διατάξεις. Αν τεθούν σε λειτουργία, οι αυτοματοποιημένες συσκευές μπορεί να εμφανίσουν δυσλειτουργία ή σφάλμα.
- Μη θέσετε σε λειτουργία την ασύρματη μονάδα σε μέρη με υψηλή θερμοκρασία ή σε μέρη όπου μπορεί να παραχθεί στατικός ηλεκτρισμός ή ηλεκτρικός θόρυβος.
- Η ασύρματη μονάδα μπορεί να παράγει ηλεκτρομαγνητικά πεδία (ΗΜΠ) αλλά δεν είναι επιβλαβή για τον χρήστη.
- Η ασύρματη μονάδα είναι ένα όργανο ακριβείας. Προσέχετε να μη ρίξετε κάτω ή να χτυπήσετε την ασύρματη μονάδα.
- Αποφύγετε να αγγίζετε τον ακροδέκτη της ασύρματης μονάδας με γυμνά χέρια ή μεταλλικά υλικά.
- Αφαιρείτε πάντοτε την μπαταρία από το προϊόν όταν τοποθετείτε σε αυτό την ασύρματη μονάδα.
- Όταν ανοίγετε το καπάκι της σχισμής, αποφύγετε μέρη όπου μπορεί να εισέλθει σκόνη και νερό μέσα στη σχισμή. Να διατηρείτε πάντα καθαρή την είσοδο της σχισμής.
- Να φορτώνετε πάντα την ασύρματη μονάδα με τη σωστή κατεύθυνση.
- Μην πατήσετε το κουμπί ασύρματης ενεργοποίησης στην ασύρματη μονάδα πολύ δυνατά ή/και μην πατήσετε το κουμπί με ένα αντικείμενο με αιχμηρό άκρο.
- Κατά τη λειτουργία, να κλείνετε πάντα το καπάκι της σχισμής.
- Μην αφαιρείτε την ασύρματη μονάδα από τη σχισμή ενώ παρέχεται ισχύς στο εργαλείο. Αν το κάνετε αυτό, μπορεί να προκληθεί δυσλειτουργία της ασύρματης μονάδας.
- Μην αφαιρείτε το αυτοκόλλητο στην ασύρματη μονάδα.
- Μην τοποθετείτε αυτοκόλλητα επάνω στην ασύρματη μονάδα.
- Μην αφήνετε την ασύρματη μονάδα σε ένα μέρος όπου μπορεί να παραχθεί στατικός ηλεκτρισμός ή ηλεκτρικός θόρυβος.
- Μην αφήνετε την ασύρματη μονάδα σε ένα μέρος που υπόκειται σε υψηλή θερμότητα, όπως ένα αυτοκίνητο στον ήλιο.
- Μην αφήνετε την ασύρματη μονάδα σε ένα μέρος με πολλή σκόνη ή πούδρα ή σε ένα μέρος όπου μπορεί να παραχθεί διαβρωτικό αέριο.

- Η απότομη αλλαγή της θερμοκρασίας μπορεί να υγραίνει την ασύρματη μονάδα. Μη χρησιμοποιείτε την ασύρματη μονάδα μέχρι να στεγνώσει εντελώς όλη η υγρασία.
- Όταν καθαρίζετε την ασύρματη μονάδα, σκουπίστε απαλά με ένα στεγνό μαλακό πανί. Μη χρησιμοποιείτε βενζίνη, νέφτι, αγωγίμο γράσο ή παρόμοιες ουσίες.
- Όταν αποθηκεύετε την ασύρματη μονάδα, να τη διατηρείτε μέσα στην παρεχόμενη θήκη ή μέσα σε δοχείο χωρίς στατικό ηλεκτρισμό.
- Μην εισαγάγετε καμία συσκευή διαφορετική από την ασύρματη μονάδα Makita μέσα στη σχισμή στο εργαλείο.
- Μη χρησιμοποιείτε το εργαλείο αν το καπάκι της σχισμής είναι κατεστραμμένο. Αν εισέλθει νερό, σκόνη και βρομιά μέσα στη σχισμή, μπορεί να προκληθεί δυσλειτουργία.
- Μην τραβήτε ή/και μη συστρέψετε το καπάκι της σχισμής περισσότερο από ότι απαιτείται. Τοποθετήστε ξανά το καπάκι αν βγει από το εργαλείο.
- Αντικαταστήστε ξανά το καπάκι της σχισμής αν χαθεί ή καταστραφεί.

## ΦΥΛΑΞΤΕ ΑΥΤΕΣ ΤΙΣ ΟΔΗΓΙΕΣ.

## ΠΕΡΙΓΡΑΦΗ ΛΕΙΤΟΥΡΓΙΑΣ

**▲ΠΡΟΣΟΧΗ:** Να φροντίζετε πάντα για την απενεργοποίηση του εργαλείου και την αφαίρεση της κασέτας μπαταρίας, πριν από οποιαδήποτε ρύθμιση ή έλεγχο της λειτουργίας του.

## Τοποθέτηση ή αφαίρεση της κασέτας μπαταριών

**▲ΠΡΟΣΟΧΗ:** Να σβήνετε πάντα το εργαλείο πριν τοποθετήσετε ή αφαιρέσετε την κασέτα μπαταριών.

**▲ΠΡΟΣΟΧΗ:** Κρατήστε το εργαλείο και την κασέτα μπαταριών σταθερά κατά την τοποθέτηση ή αφαίρεση της κασέτας μπαταριών. Εάν δεν κρατάτε το εργαλείο και την κασέτα μπαταριών σταθερά μπορεί να γλιστρήσουν από τα χέρια σας και να προκληθεί βλάβη στο εργαλείο και την κασέτα μπαταριών και προσωπικός τραυματισμός.

► **Εικ. 1:** 1. Κόκκινος δείκτης 2. Κουμπί 3. Κασέτα μπαταριών

Για να αφαιρέσετε την κασέτα μπαταριών, ολισθήστε την από το εργαλείο ενώ σύρετε το κουμπί στο μπροστινό μέρος της κασέτας.

Για να τοποθετήσετε την κασέτα μπαταριών, ευθυγραμμίστε τη γλώσσα στην κασέτα μπαταριών με την εγκοπή στο περίβλημα και ολισθήστε τη στη θέση της. Τοποθετήστε την μέχρι τέρμα μέχρι να ασφαλίσει στη θέση της, γεγονός που υποδεικνύεται με ένα χαρακτηριστικό ήχο. Αν μπορείτε να δείτε τον κόκκινο δείκτη όπως απεικονίζεται στην εικόνα, δεν έχει κλειδώσει τελείως.



**⚠ ΠΡΟΣΟΧΗ:** Να τοποθετείτε πάντα την κασέτα μπαταριών πλήρως μέχρι να μη βλέπετε τον κόκκινο δείκτη. Εάν δεν ασφαλιστεί, μπορεί να πέσει από το εργαλείο τυχαία, προκαλώντας σωματική βλάβη σε εσάς ή κάποιον άλλο γύρω σας.

**⚠ ΠΡΟΣΟΧΗ:** Μην τοποθετείτε την κασέτα μπαταριών με βία. Εάν η κασέτα δεν ολισθαίνει με ευκολία, τότε δεν έχει τοποθετηθεί κατάλληλα.

## Σύστημα προστασίας εργαλείου/ μπαταρίας

Το εργαλείο είναι εξοπλισμένο με σύστημα προστασίας εργαλείου/μπαταρίας. Αυτό το σύστημα αποκρίνει αυτόματα την ισχύ προς το μοτέρ για να παραταθεί η διάρκεια λειτουργίας του εργαλείου και της μπαταρίας. Το εργαλείο σταματάει αυτόματα κατά τη διάρκεια της λειτουργίας εάν το εργαλείο ή η μπαταρία βρεθούν κάτω από τις παρακάτω συνθήκες:

### Προστασία υπερφόρτωσης

Όταν το εργαλείο/μπαταρία λειτουργεί με τρόπο που προκαλεί την κατανάλωση ενός ασυνήθιστα υψηλού ηλεκτρικού ρεύματος, το εργαλείο σταματάει αυτόματα. Σε αυτή την κατάσταση, σβήστε το εργαλείο και διακόψτε την εφαρμογή που προκαλεί την υπερφόρτωση του εργαλείου. Μετά, ενεργοποιήστε το εργαλείο για επανεκκίνηση.

### Προστασία υπερθέρμανσης

Όταν το εργαλείο/μπαταρία υπερθερμαίνεται, το εργαλείο σταματάει αυτόματα. Σε αυτή την κατάσταση, αφήστε τη θερμοκρασία του εργαλείου/μπαταρίας να μειωθεί πριν ενεργοποιήσετε ξανά το εργαλείο.

### Προστασία υπερβολικής αποφόρτισης

Όταν η φόρτιση μπαταρίας δεν είναι αρκετή, το εργαλείο σταματάει αυτόματα. Σε αυτή την περίπτωση, βγάλτε την μπαταρία από το εργαλείο και φορτίστε την μπαταρία.

### Προστασία και από άλλες αιτίες

Το σύστημα προστασίας έχει επίσης σχεδιαστεί για άλλες αιτίες που μπορούν να προκαλέσουν ζημιά στο εργαλείο και επιτρέπει την αυτόματη διακοπή του εργαλείου. Λάβετε όλα τα ακόλουθα βήματα για να διορθώσετε τις αιτίες, όταν το εργαλείο τεθεί σε προσωρινή διακοπή ή διακοπή κατά τη διάρκεια της λειτουργίας.

1. Απενεργοποιήστε το εργαλείο και, στη συνέχεια, ενεργοποιήστε το ξανά για να επανεκκίνηση.
2. Φορτίστε την μπαταρία ή τις μπαταρίες ή αντικαταστήστε τις με επαναφορτιζόμενες μπαταρίες.
3. Αφήστε το εργαλείο και τις μπαταρίες να ψυχθούν.

Εάν δεν υπάρχει βελτίωση με την επαναφορά του συστήματος προστασίας, επικοινωνήστε με το τοπικό σας κέντρο εξυπηρέτησης της Makita.

## Εμφάνιση υπολειπόμενης χωρητικότητας μπαταρίας

Πιέστε το κουμπί ελέγχου στην κασέτα μπαταριών για να υποδείξετε την υπολειπόμενη χωρητικότητα μπαταρίας. Οι ενδεικτικές λυχνίες ανάβουν για λίγα δευτερόλεπτα.

► **Εικ.2:** 1. Ενδεικτικές λυχνίες 2. Κουμπί ελέγχου

Ενδεικτικές λυχνίες			Υπολειπόμενη χωρητικότητα
Αναμμένες	Σβηστές	Αναβοσβήνουν	
■ ■ ■ ■	□ □ □ □	▧	75% έως 100%
■ ■ ■ □	□ □ □ □	▧	50% έως 75%
■ ■ □ □	□ □ □ □	▧	25% έως 50%
■ □ □ □	□ □ □ □	▧	0% έως 25%
▧	□ □ □ □	□ □ □ □	Φορτίστε την μπαταρία.
■ ■ □ □	□ □ □ □	▧	Μπορεί να προέκυψε δυσλειτουργία στην μπαταρία.
□ □ □ □	■ ■ ■ ■	▧	

**ΠΑΡΑΤΗΡΗΣΗ:** Ανάλογα με τις συνθήκες χρήσης και τη θερμοκρασία περιβάλλοντος, η ένδειξη μπορεί να διαφέρει λίγο από την πραγματική χωρητικότητα.

**ΠΑΡΑΤΗΡΗΣΗ:** Η πρώτη (τέρμα αριστερά) ενδεικτική λυχνία θα αναβοσβήνει όταν λειτουργεί το σύστημα προστασίας μπαταρίας.

## Ρύθμιση του βάθους κοπής

**⚠ ΠΡΟΣΟΧΗ:** Πριν ρυθμίσετε το βάθος κοπής, να απενεργοποιείτε πάντα το εργαλείο και να περιμένετε να σταματήσουν να κινούνται εντελώς οι λάμες.

**ΠΑΡΑΤΗΡΗΣΗ:** Όταν περιστρέφεται το κομβίο ρύθμισης βάθους, φροντίστε να κρατάτε τη λαβή σταθερά με το άλλο χέρι.

Μπορείτε να ρυθμίσετε το βάθος κοπής αν περιστρέψετε το κομβίο ρύθμισης βάθους στο μπροστινό μέρος του εργαλείου. Περιστρέψτε το κομβίο για να ευθυγραμμίσετε τον δείκτη με το επιθυμητό βάθος κοπής στην κλίμακα βάθους.

► **Εικ.3:** 1. Κομβίο ρύθμισης βάθους 2. Δείκτης 3. Κλίμακα βάθους

## Δράση διακόπτη

**▲ ΠΡΟΕΙΔΟΠΟΙΗΣΗ:** Πριν βάλετε την κασέτα μπαταρίας μέσα στο εργαλείο, να ελέγχετε πάντα να δείτε αν η σκανδάλη διακόπτης ενεργοποιείται κανονικά και επιστρέφει στη θέση «OFF» όταν ελευθερώνεται.

**▲ ΠΡΟΕΙΔΟΠΟΙΗΣΗ:** Μην παρακάμψετε ΠΟΤΕ το κουμπί απασφάλισης συγκρατώντας το πιεσμένο με αυτοκόλλητη ταινία ή άλλο μέσο. Ένας διακόπτης με παραβιασμένο κουμπί απασφάλισης μπορεί να προκαλέσει ακούσια λειτουργία και σοβαρό ατομικό τραυματισμό.

**▲ ΠΡΟΕΙΔΟΠΟΙΗΣΗ:** Μη χρησιμοποιείτε ΠΟΤΕ το εργαλείο αν μπορείτε να το θέσετε σε λειτουργία πιέζοντας απλά τη σκανδάλη διακόπτη, χωρίς να πατήσετε και το κουμπί απασφάλισης. Ένας διακόπτης που απαιτεί επισκευή μπορεί να προκαλέσει ακούσια λειτουργία και σοβαρό ατομικό τραυματισμό. Στείλτε το εργαλείο σε κέντρο εξυπηρέτησης της Makita για να το επισκευάσουν σωστά ΠΡΙΝ το χρησιμοποιήσετε ξανά.

**ΕΙΔΟΠΟΙΗΣΗ:** Μην τραβάτε τη σκανδάλη διακόπτη δυνατά χωρίς να πατήσετε μέσα το κουμπί απασφάλισης. Αυτό μπορεί να προκαλέσει βλάβη του διακόπτη.

Για να μην πιεστεί κατά λάθος η σκανδάλη διακόπτης, παρέχεται το κουμπί κλειδώματος. Για να ξεκινήσετε τη λειτουργία του εργαλείου, πατήστε παρατεταμένα το κουμπί κλειδώματος και, στη συνέχεια, τραβήξτε τη σκανδάλη διακόπτη. Ελευθερώστε τη σκανδάλη διακόπτη για να σταματήσει.

► **Εικ.4:** 1. Σκανδάλη διακόπτης 2. Κουμπί απασφάλισης

## Στήριγμα

Το στήριγμα ξεπηδάει από την πίσω βάση όταν σηκώνετε το εργαλείο από τις επιφάνειες εργασίας, για να μην ακουμπήσουν οι λάμες πλάνης απευθείας στο τεμάχιο εργασίας. Αποτρέπει την τυχαία ζημιά των λαμών πλάνης όταν δεν χρησιμοποιούνται. Το στήριγμα επιστρέφει ξανά στην πίσω βάση κάθε φορά που τοποθετείτε τη βάση εργαλείου πάνω από επιφάνειες εργασίας.

► **Εικ.5:** 1. Λάμα πλάνης 2. Πίσω βάση 3. Στήριγμα 4. Επιφάνεια εργασίας

## Λειτουργία αποφυγής τυχαίας επανεκκίνησης

Αν τοποθετήσετε την κασέτα μπαταριών ενώ τραβάτε τη σκανδάλη διακόπτη, το εργαλείο δεν ξεκινά. Για να ξεκινήσετε τη λειτουργία του εργαλείου, αφήστε τη σκανδάλη διακόπτη και μετά τραβήξτε τη σκανδάλη διακόπτη ξανά ενώ πατάτε το κουμπί κλειδώματος.

## Ηλεκτρονική λειτουργία

Το εργαλείο είναι εξοπλισμένο με τις ακόλουθες ηλεκτρονικές λειτουργίες για εύκολη λειτουργία.

### Ηλεκτρικό φρένο

Το εργαλείο είναι εξοπλισμένο με ηλεκτρικό φρένο. Αν το εργαλείο αποτυγχάνει συνεχώς να σταματάει γρήγορα αφού αφήνετε τη σκανδάλη διακόπτη, ζητήστε την επισκευή του εργαλείου από το τοπικό κέντρο εξυπηρέτησης της Makita.

### Χαρακτηριστικό ομαλής έναρξης

Η λειτουργία ομαλής εκκίνησης ελαχιστοποιεί τον κραδασμό κατά την εκκίνηση και καθιστά την εκκίνηση του εργαλείου ομαλή.

## ΣΥΝΑΡΜΟΛΟΓΗΣΗ

**▲ ΠΡΟΣΟΧΗ:** Να βεβαιώνετε πάντα ότι το εργαλείο είναι σβηστό και η κασέτα μπαταρίας έχει αφαιρεθεί πριν εκτελέσετε κάποια εργασία στο εργαλείο.

### Αποθήκευση σωληνωτού κλειδιού

Όταν δεν χρησιμοποιείται, φυλάξτε το σωληνωτό κλειδί όπως απεικονίζεται στην εικόνα, για να μην το χάσετε.

► **Εικ.6:** 1. Σωληνωτό κλειδί

### Αφαίρεση και τοποθέτηση των λαμών πλάνης

**▲ ΠΡΟΣΟΧΗ:** Σφίξτε προσεκτικά τα μπουλόνια τοποθέτησης της λάμας όταν συνδέετε τις λάμες πλάνης στο εργαλείο. Να ελέγχετε πάντα αν αυτά είναι σφιγμένα με ασφάλεια. Ένα χαλαρό μπουλόνι τοποθέτησης μπορεί να είναι επικίνδυνο.

**▲ ΠΡΟΣΟΧΗ:** Να χειρίζεστε τις λάμες πλάνης πολύ προσεκτικά. Χρησιμοποιήστε γάντια ή κουρέλια για να προστατέψετε τα δάκτυλα ή τα χέρια σας όταν αφαιρείτε και τοποθετείτε τις λάμες πλάνης.

**▲ ΠΡΟΣΟΧΗ:** Να χρησιμοποιείτε μόνο το παρεχόμενο άλεν της Makita για να τοποθετήσετε και να αφαιρέσετε τις λάμες πλάνης. Αν δεν το κάνετε αυτό, μπορεί να έχει ως αποτέλεσμα υπερβολικό ή ανεπαρκές σφίξιμο των μπουλονιών τοποθέτησης. Αυτό μπορεί να προκαλέσει τραυματισμό.

**ΕΙΔΟΠΟΙΗΣΗ:** Για την τοποθέτηση λαμών πλάνης, καθαρίστε όλα τα θραύσματα και τα ξένα σώματα που έχουν προσκολληθεί στο τύμπανο ή στις λάμες πλάνης. Χρησιμοποιήστε λάμες πλάνης των ίδιων διαστάσεων και βάρους. Διαφορετικά, θα προκληθεί ταλάντωση/δόνηση του τυμπάνου, έχοντας ως αποτέλεσμα κακό πλάνισμα και καταστροφή του εργαλείου.

## Για εργαλείο με συμβατικές λάμες πλάνης

**ΠΑΡΑΤΗΡΗΣΗ:** Ένα ζευγάρι λαμών πλάνης βρίσκεται συναρμολογημένο στο τύμπανο. Επαναλάβετε τις ακόλουθες διαδικασίες για κάθε λάμα πλάνης.

### Αφαίρεση των συμβατικών λαμών πλάνης

- Ξεβιδώστε τα μπουλόνια τοποθέτησης από το τύμπανο χρησιμοποιώντας το σωληνωτό κλειδί που παρέχεται.
- Αποσυναρμολογήστε την πλάκα τυμπάνου και τη συμβατική λάμα πλάνης (με την πλάκα ρύθμισης) από το τύμπανο.  
▶ **Εικ.7:** 1. Μπουλόνι τοποθέτησης 2. Πλάκα τυμπάνου 3. Συμβατική λάμα (με πλάκα ρύθμισης) 4. Τύμπανο
- Ξεσφίξτε τις βίδες από τη συμβατική λάμα πλάνης και, στη συνέχεια, αφαιρέστε την πλάκα ρύθμισης.  
▶ **Εικ.8:** 1. Βίδες 2. Συμβατική λάμα πλάνης 3. Πλάκα ρύθμισης

### Τοποθέτηση συμβατικών λαμών πλάνης

- Τοποθετήστε μια συμβατική λάμα πλάνης στον μετρητή λάμας, ευθυγραμμίζοντας οριζόντια το άκρο κοπής της κατά μήκος του τοιχώματος οδήγησης στον μετρητή λάμας.  
▶ **Εικ.9:** 1. Συμβατική λάμα πλάνης 2. Μετρητής λάμας 3. Άκρο κοπής 4. Τοίχωμα οδήγησης
- Τοποθετήστε την πλάκα ρύθμισης πάνω από τη συμβατική λάμα πλάνης και, στη συνέχεια, σφίξτε λίγο τις βίδες.
- Σπρώξτε την πλάκα ρύθμισης προς τα εμπρός μέχρι ο οδηγός τοποθέτησής της να προσαρμόζεται σωστά και εξ ολοκλήρου κατά μήκος του πίσω πλαισίου τοιχώματος του μετρητή λάμας.
- Κρατήστε την πλάκα ρύθμισης στο σημείο όπου βρίσκεται και σφίξτε τις βίδες για να την ασφαλίσετε στη θέση της.  
▶ **Εικ.10:** 1. Πλάκα ρύθμισης 2. Συμβατική λάμα πλάνης 3. Βίδα 4. Οδηγός τοποθέτησης 5. Πίσω πλαίσιο τοιχώμα 6. Μετρητής λάμας
- Καθαρίστε όλα τα θραύσματα ξύλου και τα ξένα σώματα που έχουν προσκολληθεί στο τύμπανο και τη συμβατική λάμα πλάνης.
- Σύρετε τον οδηγό τοποθέτησης της πλάκας ρύθμισης στην αυλάκωση οδήγησης στο τύμπανο και, στη συνέχεια, τοποθετήστε την πλάκα τυμπάνου πάνω από τη συμβατική λάμα πλάνης (με την πλάκα ρύθμισης).
- Σφίξτε σταυρωτά και ομοιόμορφα όλα τα μπουλόνια τοποθέτησης με το σωληνωτό κλειδί.  
▶ **Εικ.11:** 1. Οδηγός τοποθέτησης 2. Πλάκα ρύθμισης 3. Αυλάκωση οδήγησης 4. Τύμπανο 5. Πλάκα τυμπάνου 6. Συμβατική λάμα πλάνης 7. Μπουλόνι τοποθέτησης

## Για εργαλείο με μικρές λάμες πλάνης

**ΠΑΡΑΤΗΡΗΣΗ:** Ένα ζευγάρι λαμών πλάνης βρίσκεται συναρμολογημένο στο τύμπανο. Επαναλάβετε τις ακόλουθες διαδικασίες για κάθε λάμα πλάνης.

### Αφαίρεση των μικρών λαμών πλάνης

- Χαλαρώστε τα μπουλόνια τοποθέτησης κατά μια στροφή χρησιμοποιώντας το σωληνωτό κλειδί που παρέχεται.  
▶ **Εικ.12:** 1. Μπουλόνι τοποθέτησης 2. Σωληνωτό κλειδί
- Σύρετε τη μικρή λάμα πλάνης εκτός του τυμπάνου στρώνοντας το ένα άκρο της λάμας προς τα έξω από την πλευρά του καλύμματος ιμάντα.  
▶ **Εικ.13:** 1. Μικρή λάμα πλάνης 2. Τύμπανο 3. Κάλυμμα ιμάντα 4. Λαβή σχήματος «Τ» του σωληνωτού κλειδιού

**ΠΑΡΑΤΗΡΗΣΗ:** Χρησιμοποιήστε τα άκρα της λαβής σχήματος «Τ» του σωληνωτού κλειδιού για να σύρετε τη μικρή λάμα πλάνης προς τα έξω, για πιο ασφαλή λειτουργία και συντήρηση.

### Τοποθέτηση των μικρών λαμών πλάνης

- Καθαρίστε όλα τα θραύσματα ξύλου και τα ξένα σώματα που έχουν προσκολληθεί στο τύμπανο και τη μικρή λάμα πλάνης.
- Σύρετε τη μικρή λάμα πλάνης κατά μήκος, μεταξύ του τυμπάνου και της πλάκας συγκράτησης, ωθώντας το ένα άκρο της λάμας προς τα μέσα από την αντίθετη πλευρά του καλύμματος ιμάντα.
- Σφίξτε σταυρωτά και ομοιόμορφα όλα τα μπουλόνια τοποθέτησης με το σωληνωτό κλειδί.  
▶ **Εικ.14:** 1. Μικρή λάμα πλάνης 2. Τύμπανο 3. Πλάκα συγκράτησης 4. Κάλυμμα ιμάντα 5. Μπουλόνι τοποθέτησης 6. Σωληνωτό κλειδί

### Βαθμονόμηση της μικρής λάμας πλάνης

Διεξαγάγετε βαθμονόμηση στις λάμες πλάνης σε τακτά χρονικά διαστήματα, για να βελτιστοποιήσετε την απόδοση της εργασίας.

- Χαλαρώστε τα μπουλόνια τοποθέτησης κατά μία στροφή χρησιμοποιώντας το σωληνωτό κλειδί που παρέχεται.
- Σύρετε τη μικρή λάμα πλάνης εκτός του τυμπάνου στρώνοντας το ένα άκρο της λάμας προς τα έξω από την πλευρά του καλύμματος ιμάντα.
- Ξεβιδώστε τα μπουλόνια τοποθέτησης από το τύμπανο χρησιμοποιώντας το σωληνωτό κλειδί.
- Αποσυναρμολογήστε την πλάκα τυμπάνου και την πλάκα συγκράτησης (με την πλάκα ρύθμισης) από το τύμπανο.  
▶ **Εικ.15:** 1. Μπουλόνι τοποθέτησης 2. Πλάκα τυμπάνου 3. Πλάκα συγκράτησης (με πλάκα ρύθμισης) 4. Τύμπανο
- Χαλαρώστε τις βίδες στην πλάκα συγκράτησης κατά μία στροφή, για να αποδεσμεύσετε την πλάκα ρύθμισης.  
▶ **Εικ.16:** 1. Βίδες 2. Πλάκα συγκράτησης 3. Πλάκα ρύθμισης

6. Καθαρίστε όλα τα θραύσματα ξύλου και τα ξένα σώματα που έχουν προσκολληθεί στην πλάκα συγκράτησης (με την πλάκα ρύθμισης) και τη μικρή λάμα πλάνης.

7. Τοποθετήστε τη μικρή λάμα πλάνης στον μετρητή λάμας, ευθυγραμμίζοντας οριζόντια το άκρο κοπής της κατά μήκος του τοιχώματος οδήγησης στον μετρητή λάμας.

8. Τοποθετήστε την πλάκα συγκράτησης (με την πλάκα ρύθμισης) πάνω από τη μικρή λάμα πλάνης, ευθυγραμμίζοντας τις εσοχές οδήγησης στην πλάκα συγκράτησης με τις αυλακώσεις οδήγησης στη μικρή λάμα πλάνης.

► **Εικ.17:** 1. Μικρή λάμα πλάνης 2. Μετρητής λάμας 3. Άκρο κοπής 4. Τοίχωμα οδήγησης 5. Πλάκα συγκράτησης (με πλάκα ρύθμισης) 6. Εσοχή οδήγησης 7. Αυλάκωση οδήγησης

9. Σπρώξτε την πλάκα ρύθμισης προς τα εμπρός μέχρι ο οδηγός τοποθέτησής της να προσαρμόζεται σωστά και εξ ολοκλήρου κατά μήκος του πίσω πλαινίου τοιχώματος του μετρητή λάμας.

10. Κρατήστε την πλάκα ρύθμισης στο σημείο όπου βρίσκεται και σφίξτε τις βίδες για να την ασφαλίσετε στη θέση της.

► **Εικ.18:** 1. Πλάκα ρύθμισης 2. Πλάκα συγκράτησης 3. Βίδα 4. Οδηγός τοποθέτησης 5. Πίσω πλαινίο τοίχωμα 6. Μετρητής λάμας

11. Σύρετε τον οδηγό τοποθέτησης της πλάκας ρύθμισης στην αυλάκωση οδήγησης στο τύμπανο και, στη συνέχεια, τοποθετήστε την πλάκα τυμπάνου πάνω στην πλάκα συγκράτησης (με την πλάκα ρύθμισης).

► **Εικ.19:** 1. Οδηγός τοποθέτησης 2. Πλάκα ρύθμισης 3. Αυλάκωση οδήγησης 4. Τύμπανο 5. Πλάκα τυμπάνου 6. Πλάκα συγκράτησης 7. Μπουλόνι τοποθέτησης

12. Σφίξτε λίγο τα μπουλόνια τοποθέτησης και σύρετε τη μικρή λάμα πλάνης κατά μήκος, μεταξύ του τυμπάνου και της πλάκας συγκράτησης, ωθώντας το ένα άκρο της λάμας προς τα μέσα από την αντίθετη πλευρά του καλύμματος ιμάντα.

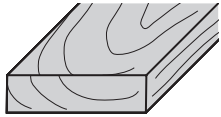
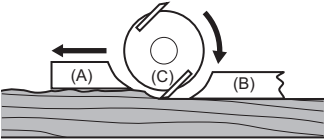
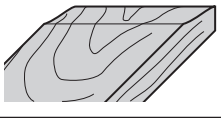
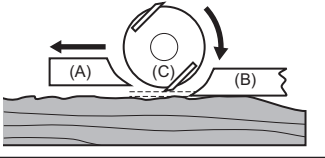
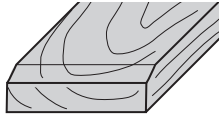
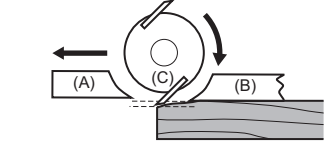
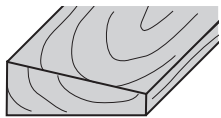
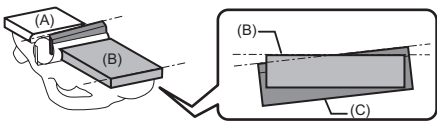
13. Σφίξτε σταυρωτά και ομοιόμορφα όλα τα μπουλόνια τοποθέτησης με το σωληνωτό κλειδί.

► **Εικ.20:** 1. Μικρή λάμα πλάνης 2. Τύμπανο 3. Πλάκα συγκράτησης 4. Κάλυμμα ιμάντα 5. Μπουλόνι τοποθέτησης 6. Σωληνωτό κλειδί

## Ρυθμίσεις λάμας πλάνης

Αν οι λάμες πλάνης δεν είναι ρυθμισμένες σωστά και με ασφάλεια, η επιφάνεια πλανίσματος θα καταλήξει να είναι σκληρή και ανομοιόμορφη.

Τοποθετήστε τις λάμες πλάνης σωστά, ώστε τα άκρα κοπής να κάθονται σε ορθή γωνία, απόλυτα ισόπεδα με την πίσω γραμμή βάσης και ακριβώς παράλληλα με το πέλμα της πλάνης. Διαβάστε τα παραδείγματα στον πίνακα για τις σωστές ρυθμίσεις.

Επιφάνεια πλανίσματος	Ρύθμιση λάμας	Αιτία
Σωστή ρύθμιση 		Τα άκρα κοπής βρίσκονται ισόπεδα με την πίσω γραμμή βάσης και τρέχουν παράλληλα, από τη μία πλευρά στην άλλη, με το πέλμα της πλάνης.
Σκάψιμο στην αρχή 		Τα άκρα κοπής φτάνουν πιο κάτω από την πίσω γραμμή βάσης.
Σκάψιμο στο τέλος 		Τα άκρα κοπής περνούν πιο πάνω από την πίσω γραμμή βάσης.
Λοξότητα στην επιφάνεια 		Τα άκρα κοπής δεν κάθονται παράλληλα, από τη μία πλευρά στην άλλη, με το πέλμα της πλάνης.
<p>(A): Μπροστινή βάση (Ρυθμιζόμενο πέλμα)            (B): Πίσω βάση (Σταθερό πέλμα)            (C): Λάμα πλάνης</p>		

## Τοποθέτηση του οδηγού χάρακα

1. Αφήστε το εργαλείο κάτω με το κάλυμμα ιμάντα να είναι στραμμένο προς τα πάνω.
2. Τοποθετήστε τον οδηγό χάρακα στη θέση του, ασφαλιζοντάς τον με τη χειρόβιδα στην οπή στερέωσης στο πλάι της κεφαλής του εργαλείου.  
▶ **Εικ.21:** 1. Κάλυμμα ιμάντα 2. Οδηγός χάρακας 3. Χειρόβιδα 4. Οπή στερέωσης
3. Σύρετε τον οδηγό άκρου προς τα μέσα και έξω στο επιθυμητό πλάτος πλανίσματος και, στη συνέχεια, σφίξτε τη χειρόβιδα για να τον ασφαλίσετε στην απαιτούμενη θέση.  
▶ **Εικ.22:** 1. Οδηγός άκρου 2. Χειρόβιδα

## Τοποθέτηση του οδηγού βάθους

1. Αφήστε το εργαλείο κάτω με το κάλυμμα ιμάντα να είναι στραμμένο προς τα κάτω.
2. Τοποθετήστε τον οδηγό βάθους στη θέση του, ασφαλιζοντάς τον με τη ροδέλα και χειρόβιδα στην οπή στερέωσης στο πλάι της κεφαλής του εργαλείου.  
▶ **Εικ.23:** 1. Κάλυμμα ιμάντα 2. Οδηγός βάθους 3. Ροδέλα 4. Χειρόβιδα 5. Οπή στερέωσης
3. Σύρετε τον οδηγό βάθους προς τα πάνω και κάτω στο επιθυμητό βάθος πλανίσματος και, στη συνέχεια, σφίξτε τη χειρόβιδα για να τον ασφαλίσετε στην απαιτούμενη θέση.  
▶ **Εικ.24:** 1. Οδηγός βάθους 2. Χειρόβιδα

## Τοποθέτηση των κανόνων γωνιοτομής

### Προαιρετικό εξάρτημα

1. Αφήστε το εργαλείο κάτω με την μπροστινή βάση να είναι στραμμένη προς τα πάνω.
2. Προσαρτήστε τους οδηγούς άκρων στους βραχίονες στερέωσης, ευθυγραμμίζοντας τις προεξοχές στους βραχίονες με τις σχισμές οδήγησης στους οδηγούς άκρων και ασφαλίστε τους με τις ροδέλες και χειρόβιδες.
3. Στερεώστε τους κανόνες γωνιοτομής (σετ οδηγών άκρων και βραχιόνων στερέωσης) στη θέση τους ασφαλιζοντάς τους με τις χειρόβιδες στις οπές στερέωσης και στις δύο πλευρές της κεφαλής του εργαλείου.  
▶ **Εικ.25:** 1. Μπροστινή βάση 2. Οδηγός άκρου 3. Βραχίονας στερέωσης 4. Προεξοχή 5. Σχισμή οδήγησης 6. Ροδέλα 7. Χειρόβιδα 8. Οπή στερέωσης
4. Σύρετε τους οδηγούς άκρου προς τα μέσα και έξω στο επιθυμητό εύρος γωνιοτομής και, στη συνέχεια, σφίξτε τις χειρόβιδες για να τους ασφαλίσετε στην απαιτούμενη θέση.  
▶ **Εικ.26:** 1. Οδηγός άκρου 2. Χειρόβιδα

## Εξαγωγή σκόνης και θραυσμάτων ξύλου

Η σκόνη και τα θραύσματα ξύλου μπορούν να ελευθερώνονται είτε από την αριστερή είτε από τη δεξιά πλευρά των ανοιγμάτων εκκένωσης. Καλύψτε με τον αναστολέα ένα από τα ανοίγματα εκκένωσης στην πλευρά που βρίσκεται αντίθετα από την προτιμώμενη κατεύθυνση εξαγωγής σκόνης.

Για να αποσυνδέσετε τον αναστολέα από το άνοιγμα εκκένωσης, περιστρέψτε τον αναστολέα ελαφρά προς τη λαβή για να αποδεσμεύσετε το κλειδίωμα και, στη συνέχεια, τραβήξτε τον για να αποστασεί.

- ▶ **Εικ.27:** 1. Αναστολέας 2. Λαβή

Όσο για την τοποθέτηση, εισαγάγετε τον αναστολέα ευθεία μέσα σε ένα από τα ανοίγματα, ευθυγραμμίζοντας την εσοχή ασφάλισης στον αναστολέα με την προεξοχή οδηγού στο άνοιγμα, μέχρι να ασφαλίσει στη θέση του.

- ▶ **Εικ.28:** 1. Αναστολέας 2. Εσοχή ασφάλισης 3. Προεξοχή οδηγού

## Σάκος συλλογής σκόνης

### Προαιρετικό εξάρτημα

Προσαρτήστε τη σακούλα σκόνης σε ένα από τα ανοίγματα εκκένωσης και σπρώξτε σταθερά μέχρι τέρμα. Βεβαιωθείτε ότι η σακούλα σκόνης είναι τοποθετημένη πάνω από το κωνικό άνοιγμα με ασφάλεια, ώστε να μη βγει κατά τη διάρκεια της λειτουργίας.

- ▶ **Εικ.29:** 1. Σάκος συλλογής σκόνης 2. Άνοιγμα εκκένωσης

Όταν ο σάκος συλλογής σκόνης είναι περίπου μισογεμάτος, αφαιρέστε τον σάκο συλλογής σκόνης από το εργαλείο και τραβήξτε τον προσοδότηρα έξω. Αδειάστε τον σάκο συλλογής σκόνης. Κτυπήστε τον σάκο συλλογής σκόνης ελαφρά για να αφαιρέσετε τα σωματίδια που έχουν προσκολληθεί στο εσωτερικό, τα οποία μπορεί να εμποδίζουν την περαιτέρω συλλογή.

- ▶ **Εικ.30:** 1. Προσοδότηρας

**ΠΑΡΑΤΗΡΗΣΗ:** Αν συνδέσετε ηλεκτρική σκούπα της Makita σε αυτό το εργαλείο, μπορείτε να διεξάγετε εργασίες πιο αποδοτικά και πιο καθαρά.

## Σύνδεση ηλεκτρικής σκούπας

Όταν θέλετε να εκτελέσετε πλάνισμα καθαρά, συνδέστε την ηλεκτρική σκούπα της Makita στο εργαλείο που διαθέτετε. Συνδέστε τον εύκαμπτο σωλήνα της ηλεκτρικής σκούπας σε ένα από τα ανοίγματα εκκένωσης όπως απεικονίζεται στην εικόνα.

- ▶ **Εικ.31:** 1. Ηλεκτρική σκούπα

## Γωνία

### Προαιρετικό εξάρτημα

Χρησιμοποιήστε μια γωνία εξαγωγής σκόνης για να συμπυκνώσετε τη ροή αέρα εξαγωγής σε προτιμώμενες γωνίες, για ένα πιο καθαρό περιβάλλον εργασίας. Προσαρτήστε τη γωνία σε ένα από τα ανοίγματα εκκένωσης και σπρώξτε σταθερά μέχρι τέρμα.

- ▶ **Εικ.32:** 1. Γωνία

## ΛΕΙΤΟΥΡΓΙΑ

**▲ ΠΡΟΣΟΧΗ:** Όταν θέτετε το εργαλείο σε λειτουργία, να κρατάτε το εργαλείο σταθερά με το ένα χέρι στη λαβή διακόπτη και το άλλο χέρι στο κομβίο ρύθμισης βάθους.

### Λειτουργία πλανίσματος

1. Να κρατάτε το εργαλείο σταθερά και με τα δύο χέρια σας, το ένα χέρι στη λαβή διακόπτη και το άλλο χέρι στο κομβίο ρύθμισης βάθους.
2. Τοποθετήστε την μπροστινή βάση του εργαλείου επίπεδα επάνω στην επιφάνεια του τεμαχίου εργασίας χωρίς οι λάμες πλάνης να έρχονται σε επαφή.
3. Ενεργοποιήστε το εργαλείο και περιμένετε έως ότου αποκτήσει την πλήρη ταχύτητά του.
4. Μετακινήστε απαλά το εργαλείο προς τα εμπρός, εφαρμόζοντας λίγο περισσότερη καθοδική πίεση στο κομβίο ρύθμισης βάθους στην αρχή, ώστε να διατηρείται ολόκληρη η βάση πλάνης ισόπεδη και ομοιόμορφη με την επιφάνεια του τεμαχίου εργασίας.  
► **Εικ.33**
5. Προσέξτε ώστε να ασκείτε πίεση ομοιόμορφα πάνω από την επιφάνεια του τεμαχίου εργασίας στη μέση της λειτουργίας και να ωθείτε το εργαλείο σταθερά προς τα εμπρός.  
► **Εικ.34**

**ΠΑΡΑΤΗΡΗΣΗ:** Ισορροπήστε την πίεση που ασκείτε με τα χέρια μεταξύ της λαβής διακόπτη και του κομβίου ρύθμισης βάθους, όσον αφορά την επαφή της μπροστινής και πίσω βάσης με την επιφάνεια του τεμαχίου εργασίας.

6. Εφαρμόστε μεγαλύτερο έλεγχο στη λαβή διακόπτη για να αποφύγετε να ξεπεράσετε το άκρο ενός περάσματος, επειδή η μπροστινή βάση θα πέσει από την επιφάνεια του τεμαχίου εργασίας.  
► **Εικ.35**

**ΠΑΡΑΤΗΡΗΣΗ:** Το πλάνισμα μπορεί να είναι πιο εύκολο αν τοποθετήσετε το τεμάχιο εργασίας σε ελαφρώς μπροστινή κλίση, ώστε να μειώσετε την πίεση συγκράτησης του εργαλείου κατά τη διάρκεια της λειτουργίας.

**ΠΑΡΑΤΗΡΗΣΗ:** Προσαρμόστε την ταχύτητα και το βάθος κοπής για τα επιθυμητά τελειώματα επιφάνειας.

Για σκληρό τελείωμα, ρυθμίστε το βάθος κοπής αρκετά βαθιά στο τεμάχιο εργασίας.

Για ένα καθαρό και κομψό τελείωμα, ωθήστε το εργαλείο αργά με μικρό βάθος κοπής και πραγματοποιήστε περισσότερα περάσματα.

## Δημιουργία αυλακιών (ένωση με γκινισιά)

### ► Εικ.36

Χρησιμοποιήστε τον οδηγό χάρακα για να κάνετε μια βηματική κοπή, όπως απεικονίζεται στην εικόνα.

1. Τοποθετήστε τον οδηγό χάρακα και τον οδηγό βάθους στο εργαλείο και ασφαλίστε τους με τις ροδέλες και τις χειρόβιδες.
2. Ρυθμίστε τον οδηγό βάθους στο βάθος δημιουργίας αυλακιών και ασφαλίστε τον στη θέση του με τη χειρόβιδα.
3. Σχεδιάστε μια γραμμή κοπής στο τεμάχιο εργασίας και ευθυγραμμίστε το άκρο λάμας με τη γραμμή κοπής.  
► **Εικ.37:** 1. Άκρο λάμας 2. Γραμμή κοπής 3. Οδηγός βάθους 4. Χειρόβιδα

**ΠΑΡΑΤΗΡΗΣΗ:** Βεβαιωθείτε ότι το άκρο λάμας βγαίνει από το πλαινό άκρο του τυμπάνου κατά 1,6 mm - 1,8 mm για δημιουργία αυλακιών. (Δείτε «Α» στην ακόλουθη εικόνα).

\* Μπορείτε να επιλέξετε να αφήσετε το άκρο λάμας να βγει από το πλαινό άκρο της μπροστινής βάσης κατά 0,2 mm - 0,4 mm. (Δείτε το «B» στην ακόλουθη εικόνα).

- **Εικ.38:** 1. Άκρο λάμας 2. Πλαινό άκρο του τυμπάνου 3. Πλαινό άκρο της μπροστινής βάσης
4. Σύρετε τον οδηγό άκρου στον οδηγό χάρακα προς τα μέσα μέχρι να έρθει σε επαφή με το πλαινό τοίχωμα του τεμαχίου εργασίας. Στη συνέχεια, ασφαλίστε τον στη θέση του με τη χειρόβιδα.  
► **Εικ.39:** 1. Οδηγός χάρακας 2. Οδηγός άκρου 3. Πλαινό τοίχωμα 4. Χειρόβιδα

5. Πραγματοποιήστε την εργασία πλανίσματος μετακινώντας το εργαλείο με ολόκληρο τον οδηγό άκρου να σύρετε κατά μήκος του πλαινού τοιχώματος του τεμαχίου εργασίας.

**ΠΑΡΑΤΗΡΗΣΗ:** Τα μήκη που φτάνει ο φράχτης οδηγός μπορούν να επεκταθούν εάν προσαρτήσετε ένα επιπλέον κομμάτι ξύλου στις οπές προσαρτήσης στον φράχτη οδηγό.

- **Εικ.40:** 1. Επιπλέον κομμάτι ξύλου 2. Οπές προσαρτήσης

## Γωνιοτομή

### ► Εικ.41

Χρησιμοποιήστε την κοπή αυλακώσεων σχήματος «V» στην μπροστινή βάση για να δημιουργήσετε μια κοπή γωνιοτομής όπως απεικονίζεται στην εικόνα.

Πραγματοποιήστε την εργασία πλανίσματος μετακινώντας το εργαλείο και ευθυγραμμίζοντας μία από τις τρεις αυλακώσεις σχήματος «V» στην μπροστινή βάση με το γωνιακό άκρο του τεμαχίου εργασίας.

- **Εικ.42:** 1. Αυλάκωση σχήματος «V» (μεσαίος βαθμός γωνιοτομής) 2. Αυλάκωση σχήματος «V» (μικρός βαθμός γωνιοτομής) 3. Αυλάκωση σχήματος «V» (μεγάλος βαθμός γωνιοτομής)



## Χρήση κανόνων γωνιοτομής

### Προαιρετικό εξάρτημα

1. Σύρετε προς τα μέσα τους οδηγούς άκρων στους κανόνες γωνιοτομής μέχρι να έρθουν σε επαφή με τα γωνιακά τοιχώματα του τεμαχίου εργασίας.
  2. Ασφαλίστε τους οδηγούς άκρων στη θέση τους με τις χειρόβιδες.
  3. Πραγματοποιήστε την εργασία πλανίσματος μετακινώντας το εργαλείο με ολόκληρους τους οδηγούς άκρων να σύρονται κατά μήκος των γωνιακών τοιχωμάτων του τεμαχίου εργασίας.
- **Εικ.43:** 1. Κανόνας γωνιοτομής 2. Οδηγοί άκρων 3. Χειρόβιδα

**ΠΑΡΑΤΗΡΗΣΗ:** Για μεγάλες γωνιοτομές, πραγματοποιήστε πολλά περάσματα πλανίσματος, ξεκινώντας από μικρή γωνιοτομή μέχρι μεγαλύτερη γωνιοτομή, όπως απεικονίζεται στην εικόνα.

- **Εικ.44:** 1. Άκρο του κανόνα γωνιοτομής 2. Μικρή γωνιοτομή 3. Μεγάλη γωνιοτομή

## ΛΕΙΤΟΥΡΓΙΑ ΑΣΥΡΜΑΤΗΣ ΕΝΕΡΓΟΠΟΙΗΣΗΣ

### Τι μπορείτε να κάνετε με τη λειτουργία ασύρματης ενεργοποίησης

Η λειτουργία ασύρματης ενεργοποίησης επιτρέπει την καθαρή και άνετη λειτουργία. Αν συνδέσετε μια υποστηρίξιμη ηλεκτρική σκούπα στο εργαλείο, μπορείτε να χρησιμοποιείτε την ηλεκτρική σκούπα αυτόματα μαζί με τη λειτουργία διακόπτη του εργαλείου.

#### ► Εικ.45

Για να χρησιμοποιήσετε τη λειτουργία ασύρματης ενεργοποίησης, προετοιμάστε τα ακόλουθα στοιχεία:

- Μια ασύρματη μονάδα (προαιρετικό εξάρτημα)
- Ηλεκτρική σκούπα που υποστηρίζει τη λειτουργία ασύρματης ενεργοποίησης

Η σύνοψη της ρύθμισης λειτουργίας ασύρματης ενεργοποίησης είναι η εξής. Ανατρέξτε σε κάθε τμήμα για λεπτομερείς διαδικασίες.

1. Εγκατάσταση της ασύρματης μονάδας
2. Καταχώρηση εργαλείου για την ηλεκτρική σκούπα
3. Έναρξη της λειτουργίας ασύρματης ενεργοποίησης

## Εγκατάσταση της ασύρματης μονάδας

### Προαιρετικό εξάρτημα

**▲ ΠΡΟΣΟΧΗ:** Τοποθετήστε το εργαλείο σε μια επίπεδη και σταθερή επιφάνεια όταν εγκαθιστάτε την ασύρματη μονάδα.

**ΕΙΔΟΠΟΙΗΣΗ:** Καθαρίστε τη σκόνη και τη βρομιά στο εργαλείο πριν τοποθετήσετε την ασύρματη μονάδα. Η σκόνη ή η βρομιά μπορεί να προκαλέσει δυσλειτουργία αν έρθει σε επαφή με τη σχισμή της ασύρματης μονάδας.

**ΕΙΔΟΠΟΙΗΣΗ:** Για να αποτρέψετε τη δυσλειτουργία που προκαλείται από στατικό ηλεκτρισμό, αγγίξτε κάποιο υλικό στατικής εκκένωσης, όπως ένα μεταλλικό εξάρτημα του εργαλείου, πριν σηκώσετε την ασύρματη μονάδα.

**ΕΙΔΟΠΟΙΗΣΗ:** Όταν τοποθετείτε την ασύρματη μονάδα, να βεβαιώνετε πάντα ότι η ασύρματη μονάδα έχει εισαχθεί με τη σωστή κατεύθυνση και το καπάκι είναι εντελώς κλειστό.

1. Ανοίξτε το καπάκι στο εργαλείο όπως απεικονίζεται στην εικόνα.

► **Εικ.46:** 1. Καπάκι

2. Εισαγάγετε την ασύρματη μονάδα στη σχισμή και μετά κλείστε το καπάκι.

Όταν εισαγάγετε την ασύρματη μονάδα, ευθυγραμμίστε τις προεξοχές με τα βαθουλωτά τμήματα στη σχισμή.

- **Εικ.47:** 1. Ασύρματη μονάδα 2. Προεξοχή 3. Καπάκι 4. Βαθουλωτό τμήμα

Όταν αφαιρείτε την ασύρματη μονάδα, ανοίξτε το καπάκι αργά. Οι γάντζοι στο πίσω μέρος του καπακιού θα σηκώσουν την ασύρματη μονάδα καθώς τραβάτε το καπάκι προς τα πάνω.

► **Εικ.48:** 1. Ασύρματη μονάδα 2. Γάντζος 3. Καπάκι

Αφού αφαιρέσετε την ασύρματη μονάδα, να τη διατηρείτε μέσα στην παρεχόμενη θήκη ή μέσα σε δοχείο χωρίς στατικό ηλεκτρισμό.

**ΕΙΔΟΠΟΙΗΣΗ:** Να χρησιμοποιείτε πάντα τους γάντζους στο πίσω μέρος του καπακιού όταν αφαιρείτε την ασύρματη μονάδα. Αν οι γάντζοι δεν ασφαλίσουν την ασύρματη μονάδα, κλείστε εντελώς το καπάκι και ανοίξτε το ξανά αργά.

## Καταχώρηση εργαλείου για την ηλεκτρική σκούπα

**ΠΑΡΑΤΗΡΗΣΗ:** Για την καταχώρηση εργαλείου, απαιτείται ηλεκτρική σκούπα Makita που υποστηρίζει τη λειτουργία ασύρματης ενεργοποίησης.

**ΠΑΡΑΤΗΡΗΣΗ:** Ολοκληρώστε την εγκατάσταση της ασύρματης μονάδας στο εργαλείο πριν ξεκινήσετε την καταχώρηση εργαλείου.

**ΠΑΡΑΤΗΡΗΣΗ:** Κατά την καταχώρηση εργαλείου, μην τραβήξετε τη σκανδάλη διακόπτη ούτε να ενεργοποιήσετε το διακόπτη λειτουργίας στην ηλεκτρική σκούπα.

**ΠΑΡΑΤΗΡΗΣΗ:** Ανατρέξτε και στο εγχειρίδιο οδηγιών της ηλεκτρικής σκούπας.



Αν επιθυμείτε να ενεργοποιήσετε την ηλεκτρική σκούπα μαζί με τη λειτουργία διακόπτη του εργαλείου, ολοκληρώστε εκ των προτέρων την καταχώρηση εργαλείου.

**1.** Τοποθετήστε τις μπαταρίες στην ηλεκτρική σκούπα και στο εργαλείο.

**2.** Θέστε τον διακόπτη αναμονής στην ηλεκτρική σκούπα στη θέση «ΑΥΤΟ».

► **Εικ.49:** 1. Διακόπτης αναμονής

**3.** Πατήστε το κουμπί ασύρματης ενεργοποίησης στην ηλεκτρική σκούπα για 3 δευτερόλεπτα μέχρι η λυχνία ασύρματης ενεργοποίησης αναβοσβήνει με πράσινο χρώμα. Και μετά πατήστε το κουμπί ασύρματης ενεργοποίησης στο εργαλείο με τον ίδιο τρόπο.

► **Εικ.50:** 1. Κουμπί ασύρματης ενεργοποίησης  
2. Λυχνία ασύρματης ενεργοποίησης

Αν η ηλεκτρική σκούπα και το εργαλείο συνδεθούν με επιτυχία, οι λυχνίες ασύρματης ενεργοποίησης θα ανάψουν με πράσινο χρώμα για 2 δευτερόλεπτα και θα αρχίσουν να αναβοσβήνουν με μπλε χρώμα.

**ΠΑΡΑΤΗΡΗΣΗ:** Οι λυχνίες ασύρματης ενεργοποίησης θα αρχίσουν να αναβοσβήνουν με πράσινο χρώμα αφού περάσουν 20 δευτερόλεπτα. Πατήστε το κουμπί ασύρματης ενεργοποίησης στο εργαλείο ενώ η λυχνία ασύρματης ενεργοποίησης αναβοσβήνει στη σκούπα. Αν η λυχνία ασύρματης ενεργοποίησης δεν αναβοσβήνει με πράσινο χρώμα, πατήστε για λίγο το κουμπί ασύρματης ενεργοποίησης και κρατήστε το ξανά πατημένο.

**ΠΑΡΑΤΗΡΗΣΗ:** Όταν εκτελείτε δύο ή περισσότερες καταχωρήσεις εργαλείων για μία ηλεκτρική σκούπα, ολοκληρώστε την καταχώρηση εργαλείου ένα τη φορά.

## Έναρξη της λειτουργίας ασύρματης ενεργοποίησης

**ΠΑΡΑΤΗΡΗΣΗ:** Ολοκληρώστε την καταχώρηση εργαλείου για την ηλεκτρική σκούπα πριν από την ασύρματη ενεργοποίηση.

**ΠΑΡΑΤΗΡΗΣΗ:** Ανατρέξτε και στο εγχειρίδιο οδηγιών της ηλεκτρικής σκούπας.

Αφού καταχωρήσετε ένα εργαλείο με την ηλεκτρική σκούπα, η ηλεκτρική σκούπα θα λειτουργεί αυτόματα μαζί με τη λειτουργία διακόπτη του εργαλείου.

**1.** Εγκαταστήστε την ασύρματη μονάδα στο εργαλείο.

**2.** Συνδέστε τον εύκαμπο σωλήνα της ηλεκτρικής σκούπας με το εργαλείο.

► **Εικ.51**

**3.** Θέστε τον διακόπτη αναμονής στην ηλεκτρική σκούπα στη θέση «ΑΥΤΟ».

► **Εικ.52:** 1. Διακόπτης αναμονής

**4.** Πατήστε σύντομα το κουμπί ασύρματης ενεργοποίησης στο εργαλείο. Η λυχνία ασύρματης ενεργοποίησης θα αναβοσβήνει με μπλε χρώμα.

► **Εικ.53:** 1. Κουμπί ασύρματης ενεργοποίησης  
2. Λυχνία ασύρματης ενεργοποίησης

**5.** Ενεργοποιήστε το εργαλείο. Ελέγξτε αν η ηλεκτρική σκούπα λειτουργεί ενώ το εργαλείο λειτουργεί.

Για να σταματήσετε την ασύρματη ενεργοποίηση της ηλεκτρικής σκούπας, πατήστε το κουμπί ασύρματης ενεργοποίησης στο εργαλείο.

**ΠΑΡΑΤΗΡΗΣΗ:** Η λυχνία ασύρματης ενεργοποίησης στο εργαλείο θα σταματήσει να αναβοσβήνει με μπλε χρώμα όταν δεν υπάρχει λειτουργία για 2 ώρες. Σε αυτή την περίπτωση, θέστε το διακόπτη αναμονής στην ηλεκτρική σκούπα στη θέση «ΑΥΤΟ» και πατήστε ξανά το κουμπί ασύρματης ενεργοποίησης στο εργαλείο.

**ΠΑΡΑΤΗΡΗΣΗ:** Η ηλεκτρική σκούπα αρχίζει/σταματάει με καθυστέρηση. Υπάρχει χρονική καθυστέρηση όταν η ηλεκτρική σκούπα ανιχνεύει τη λειτουργία διακόπτη του εργαλείου.










**ΠΑΡΑΤΗΡΗΣΗ:** Η απόσταση μετάδοσης της ασύρματης μονάδας μπορεί να ποικίλλει ανάλογα με την τοποθεσία και τις περιβάλλουσες συνθήκες.

**ΠΑΡΑΤΗΡΗΣΗ:** Όταν δύο ή περισσότερα εργαλεία καταχωρούνται σε μία ηλεκτρική σκούπα, η ηλεκτρική σκούπα μπορεί να αρχίσει να λειτουργεί ακόμη κι αν δεν ενεργοποιείτε το εργαλείο επειδή κάποιος άλλος χρήστης χρησιμοποιεί τη λειτουργία ασύρματης ενεργοποίησης.

## Περιγραφή της κατάστασης της λυχνίας ασύρματης ενεργοποίησης

### ► Εικ.54: 1. Λυχνία ασύρματης ενεργοποίησης

Η λυχνία ασύρματης ενεργοποίησης δείχνει την κατάσταση της λειτουργίας ασύρματης ενεργοποίησης. Ανατρέξτε στον παρακάτω πίνακα για τη σημασία της κατάστασης λυχνίας.

Κατάσταση	Λυχνία ασύρματης ενεργοποίησης			Περιγραφή
	Χρώμα	 Αναμμένη	 Αναβοσβήνει	
Αναμονή	Μπλε		2 ώρες	Η ασύρματη ενεργοποίηση της ηλεκτρικής σκούπας είναι διαθέσιμη. Η λυχνία θα σβήσει αυτόματα όταν δεν εκτελεστεί καμία λειτουργία για 2 ώρες.
			Όταν το εργαλείο λειτουργεί.	Η ασύρματη ενεργοποίηση της ηλεκτρικής σκούπας είναι διαθέσιμη και το εργαλείο λειτουργεί.
Καταχώρηση εργαλείου	Πράσινη		20 δευτερόλεπτα	Έτοιμο για καταχώρηση εργαλείου. Σε αναμονή για καταχώρηση από την ηλεκτρική σκούπα.
			2 δευτερόλεπτα	Η καταχώρηση εργαλείου έχει ολοκληρωθεί. Η λυχνία ασύρματης ενεργοποίησης θα αρχίσει να αναβοσβήνει με μπλε χρώμα.
Ακύρωση καταχώρησης εργαλείου	Κόκκινη		20 δευτερόλεπτα	Έτοιμο για ακύρωση της καταχώρησης εργαλείου. Σε αναμονή για ακύρωση από την ηλεκτρική σκούπα.
			2 δευτερόλεπτα	Η ακύρωση της καταχώρησης εργαλείου έχει ολοκληρωθεί. Η λυχνία ασύρματης ενεργοποίησης θα αρχίσει να αναβοσβήνει με μπλε χρώμα.
Άλλες	Κόκκινη		3 δευτερόλεπτα	Η ισχύς παρέχεται στην ασύρματη μονάδα και η λειτουργία ασύρματης ενεργοποίησης εκκινείται.
	Σβηστή	-	-	Η ασύρματη ενεργοποίηση της ηλεκτρικής σκούπας έχει σταματήσει.

## Ακύρωση καταχώρησης εργαλείου για την ηλεκτρική σκούπα

Εκτελέστε την ακόλουθη διαδικασία όταν ακυρώνετε την καταχώρηση εργαλείου για την ηλεκτρική σκούπα.

1. Τοποθετήστε τις μπαταρίες στην ηλεκτρική σκούπα και στο εργαλείο.
2. Θέστε τον διακόπτη αναμονής στην ηλεκτρική σκούπα στη θέση «AUTO».

### ► Εικ.55: 1. Διακόπτης αναμονής

3. Πατήστε το κουμπί ασύρματης ενεργοποίησης στην ηλεκτρική σκούπα για 6 δευτερόλεπτα. Η λυχνία ασύρματης ενεργοποίησης αναβοσβήνει με πράσινο χρώμα και μετά γίνεται κόκκινη. Μετά από αυτό, πατήστε το κουμπί ασύρματης ενεργοποίησης στο εργαλείο με τον ίδιο τρόπο.

- Εικ.56: 1. Κουμπί ασύρματης ενεργοποίησης  
2. Λυχνία ασύρματης ενεργοποίησης

Αν η ακύρωση εκτελεστεί με επιτυχία, οι λυχνίες ασύρματης ενεργοποίησης θα ανάψουν με κόκκινο χρώμα για 2 δευτερόλεπτα και θα αρχίσουν να αναβοσβήνουν με μπλε χρώμα.

**ΠΑΡΑΤΗΡΗΣΗ:** Οι λυχνίες ασύρματης ενεργοποίησης θα αρχίσουν να αναβοσβήνουν με κόκκινο χρώμα αφού περάσουν 20 δευτερόλεπτα. Πατήστε το κουμπί ασύρματης ενεργοποίησης στο εργαλείο ενώ η λυχνία ασύρματης ενεργοποίησης αναβοσβήνει στη σκούπα. Αν η λυχνία ασύρματης ενεργοποίησης δεν αναβοσβήνει με κόκκινο χρώμα, πατήστε για λίγο το κουμπί ασύρματης ενεργοποίησης και κρατήστε το ξανά πατημένο.

## Αντιμετώπιση προβλημάτων για τη λειτουργία ασύρματης ενεργοποίησης

Πριν ζητήσετε επισκευές, εκτελέστε αρχικά τη δική σας επιθεώρηση. Αν εντοπίσετε πρόβλημα που δεν επεξηγείται στο εγχειρίδιο, μην επιχειρήσετε να αποσυναρμολογήσετε το εργαλείο. Αντ' αυτού, ζητήστε βοήθεια από εξουσιοδοτημένα κέντρα εξυπηρέτησης της Makita και πάντοτε να χρησιμοποιείτε γνήσια ανταλλακτικά της Makita.

Κατάσταση προβλήματος	Πιθανή αιτία (δυσλειτουργία)	Αποκατάσταση
Η λυχνία ασύρματης ενεργοποίησης δεν ανάβει/αναβοσβήνει.	Η ασύρματη μονάδα δεν είναι εγκατεστημένη στο εργαλείο. Η ασύρματη μονάδα είναι εγκατεστημένη στο εργαλείο λανθασμένα.	Τοποθετήστε σωστά την ασύρματη μονάδα.
	Ο ακροδέκτης της ασύρματης μονάδας ή/και η σχισμή είναι βρόμικα.	Σκουπίστε απαλά τη σκόνη και τη βρομιά από τον ακροδέκτη της ασύρματης μονάδας και καθαρίστε τη σχισμή.
	Το κουμπί ασύρματης ενεργοποίησης στο εργαλείο δεν έχει πατηθεί.	Πατήστε σύντομα το κουμπί ασύρματης ενεργοποίησης στο εργαλείο.
	Ο διακόπτης αναμονής στην ηλεκτρική σκούπα δεν έχει τεθεί στη θέση «AUTO».	Θέστε τον διακόπτη αναμονής στην ηλεκτρική σκούπα στη θέση «AUTO».
	Δεν υπάρχει παροχή ρεύματος	Παρέχετε ισχύ στο εργαλείο και την ηλεκτρική σκούπα.
Δεν είναι δυνατή η ολοκλήρωση της καταχώρησης εργαλείου / ακύρωσης καταχώρησης εργαλείου με επιτυχία.	Η ασύρματη μονάδα δεν είναι εγκατεστημένη στο εργαλείο. Η ασύρματη μονάδα είναι εγκατεστημένη στο εργαλείο λανθασμένα.	Τοποθετήστε σωστά την ασύρματη μονάδα.
	Ο ακροδέκτης της ασύρματης μονάδας ή/και η σχισμή είναι βρόμικα.	Σκουπίστε απαλά τη σκόνη και τη βρομιά από τον ακροδέκτη της ασύρματης μονάδας και καθαρίστε τη σχισμή.
	Ο διακόπτης αναμονής στην ηλεκτρική σκούπα δεν έχει τεθεί στη θέση «AUTO».	Θέστε τον διακόπτη αναμονής στην ηλεκτρική σκούπα στη θέση «AUTO».
	Δεν υπάρχει παροχή ρεύματος	Παρέχετε ισχύ στο εργαλείο και την ηλεκτρική σκούπα.
	Λανθασμένη λειτουργία	Πατήστε σύντομα το κουμπί ασύρματης ενεργοποίησης και πραγματοποιήστε ξανά τις διαδικασίες καταχώρησης/ακύρωσης εργαλείου.
	Το εργαλείο και η ηλεκτρική σκούπα βρίσκονται σε αρκετή απόσταση μεταξύ τους (εκτός του εύρους μετάδοσης).	Φέρετε το εργαλείο και την ηλεκτρική σκούπα πιο κοντά. Η μέγιστη απόσταση μετάδοσης είναι περίπου 10 μέτρα, ωστόσο, μπορεί να διαφέρει ανάλογα με τις συνθήκες.
	Πριν τελειώσετε την καταχώρηση/ακύρωση του εργαλείου, - ο διακόπτης του εργαλείου είναι τραβηγμένος, ή - το κουμπί λειτουργίας στην ηλεκτρική σκούπα είναι ενεργοποιημένο.	Πατήστε σύντομα το κουμπί ασύρματης ενεργοποίησης και πραγματοποιήστε ξανά τις διαδικασίες καταχώρησης/ακύρωσης εργαλείου.
	Δεν έχουν ολοκληρωθεί οι διαδικασίες καταχώρησης εργαλείων για το εργαλείο ή την ηλεκτρική σκούπα.	Εκτελέστε τις διαδικασίες καταχώρησης εργαλείου για το εργαλείο και την ηλεκτρική σκούπα ταυτόχρονα.
	Ραδιοφωνικά παράσιτα από άλλες συσκευές που παράγουν ραδιοκύματα υψηλής έντασης.	Διατηρήστε το εργαλείο και την ηλεκτρική σκούπα μακριά από τις συσκευές, όπως συσκευές Wi-Fi και φούρνους μικροκυμάτων.

Κατάσταση προβλήματος	Πιθανή αιτία (δυσλειτουργία)	Αποκατάσταση
Η ηλεκτρική σκούπα δεν λειτουργεί μαζί με τη λειτουργία διακοπής του εργαλείου.	Η ασύρματη μονάδα δεν είναι εγκατεστημένη στο εργαλείο. Η ασύρματη μονάδα είναι εγκατεστημένη στο εργαλείο λανθασμένα.	Τοποθετήστε σωστά την ασύρματη μονάδα.
	Ο ακροδέκτης της ασύρματης μονάδας ή/και η σχισμή είναι βρόμικα.	Σκουπίστε απαλά τη σκόνη και τη βρομιά από τον ακροδέκτη της ασύρματης μονάδας και καθαρίστε τη σχισμή.
	Το κουμπί ασύρματης ενεργοποίησης στο εργαλείο δεν έχει πατηθεί.	Πατήστε για λίγο το κουμπί ασύρματης ενεργοποίησης και βεβαιωθείτε ότι η λυχνία ασύρματης ενεργοποίησης αναβοσβήνει με μπλε χρώμα.
	Ο διακόπτης αναμονής στην ηλεκτρική σκούπα δεν έχει τεθεί στη θέση «ΑΥΤΟ».	Θέστε τον διακόπτη αναμονής στην ηλεκτρική σκούπα στη θέση «ΑΥΤΟ».
	Περισσότερα από 10 εργαλεία έχουν καταχωρηθεί με την ηλεκτρική σκούπα.	Πραγματοποιήστε ξανά την καταχώρηση εργαλείου. Αν περισσότερα από 10 εργαλεία είναι καταχωρημένα στην ηλεκτρική σκούπα, το εργαλείο που είχε καταχωρηθεί πιο νωρίς θα ακυρωθεί αυτόματα.
	Η ηλεκτρική σκούπα έσβησε όλες τις καταχωρήσεις εργαλείων.	Πραγματοποιήστε ξανά την καταχώρηση εργαλείου.
	Δεν υπάρχει παροχή ρεύματος	Παρέχετε ισχύ στο εργαλείο και την ηλεκτρική σκούπα.
	Το εργαλείο και η ηλεκτρική σκούπα βρίσκονται σε αρκετή απόσταση μεταξύ τους (εκτός του εύρους μετάδοσης).	Φέρετε το εργαλείο και την ηλεκτρική σκούπα πιο κοντά. Η μέγιστη απόσταση μετάδοσης είναι περίπου 10 μέτρα, ωστόσο, μπορεί να διαφέρει ανάλογα με τις συνθήκες.
	Ραδιοφωνικά παράσιτα από άλλες συσκευές που παράγουν ραδιοκύματα υψηλής έντασης.	Διατηρήστε το εργαλείο και την ηλεκτρική σκούπα μακριά από τις συσκευές, όπως συσκευές Wi-Fi και φούρνους μικροκυμάτων.
Η ηλεκτρική σκούπα λειτουργεί ενώ το εργαλείο δεν λειτουργεί.	Άλλοι χρήστες χρησιμοποιούν την ασύρματη ενεργοποίηση της ηλεκτρικής σκούπας με τα εργαλεία τους.	Κλείστε το κουμπί ασύρματης ενεργοποίησης των άλλων εργαλείων ή ακυρώστε την καταχώρηση εργαλείου των άλλων εργαλείων.

## ΣΥΝΤΗΡΗΣΗ

**▲ ΠΡΟΣΟΧΗ:** Πριν την εκτέλεση εργασιών επιθεώρησης ή συντήρησης, πάντοτε να βεβαιώνεται ότι η συσκευή απενεργοποιήθηκε και η κασέτα μπαταριών έχει αφαιρεθεί.

**ΕΙΔΟΠΟΙΗΣΗ:** Μην χρησιμοποιείτε ποτέ βενζίνη, πετρελαϊκό αιθέρα, διαλυτικό, αλκοόλη ή παρόμοιες ουσίες. Μπορεί να προκληθεί αποχρωματισμός, παραμόρφωση ή ρωγμές.

Για τη διατήρηση της ΑΣΦΑΛΕΙΑΣ και ΑΞΙΟΠΙΣΤΙΑΣ του προϊόντος, οι επισκευές και οποιαδήποτε άλλη εργασία συντήρησης ή ρύθμισης πρέπει να εκτελούνται από εξουσιοδοτημένα ή εργοστασιακά κέντρα εξυπηρέτησης της Makita, χρησιμοποιώντας πάντοτε ανταλλακτικά της Makita.

## Καθαρισμός των ανοιγμάτων εκκένωσης θραυσμάτων

Να καθαρίζετε τα ανοίγματα εκκένωσης θραυσμάτων τακτικά.  
Χρησιμοποιήστε πεπιεσμένο αέρα για να καθαρίσετε τα φραγμένα ανοίγματα εκκένωσης θραυσμάτων.

## Τρόχισμα των λειπίδων

### Μόνο για συμβατικές λάμες πλάνης

Να διατηρείτε πάντα τις λάμες πλάνης σας αιχμηρές για να έχετε τη βέλτιστη απόδοση. Χρησιμοποιήστε τον υποδοχέα ακονίσματος (προαιρετικό εξάρτημα) για να ακονίσετε τα άκρα λάμας πλάνης αποδοτικά και με ασφάλεια.

► **Εικ.57:** 1. Υποδοχέας ακονίσματος 2. Λάμα

1. Χαλαρώστε τα δύο παξιμάδια πεταλούδα στον υποδοχέα ακονίσματος.

2. Σύρετε τα πίσω άκρα των λαμών πλάνης μέσα στις σχισμένες στερέωσης μέχρι τέρμα, με τα άκρα κοπής που πρόκειται να ακονιστούν να είναι στραμμένα προς τα κάτω.

► **Εικ.58:** 1. Υποδοχέας ακονίσματος 2. Παξιμάδι πεταλούδα 3. Λάμα 4. Άκρο κοπής 5. Σχισμές στερέωσης 6. Κεφαλή μπουλονιού

3. Σφίξτε τα παξιμάδια πεταλούδα για να ασφαλίσετε τις λάμες πλάνης στη θέση τους.

4. Διαποτίστε μια πέτρα ακονίσματος σε νερό για 2 ή 3 λεπτά πριν από το ακόνισμα.

5. Κρατήστε τον υποδοχέα ακονίσματος σταθερά και τοποθετήστε απαλά τα άκρα κοπής πάνω από την επιφάνεια της πέτρας ακονίσματος.

6. Ακονίστε τα άκρα κοπής μετακινώντας τον υποδοχέα ακονίσματος προς τα πίσω και μπροστά.

► **Εικ.59**

# ΠΡΟΑΙΡΕΤΙΚΑ ΕΞΑΡΤΗΜΑΤΑ

**⚠ ΠΡΟΣΟΧΗ:** Αυτά τα εξαρτήματα ή προσαρτήματα συνιστώνται για χρήση με το εργαλείο Makita που περιγράφηκε στις οδηγίες αυτές. Η χρήση οποιωνδήποτε άλλων εξαρτημάτων ή προσαρτημάτων μπορεί να προκαλέσει κίνδυνο τραυματισμού σε άτομα. Να χρησιμοποιείτε τα εξαρτήματα ή προσαρτήματα μόνο για την χρήση που προορίζονται.

Αν χρειάζεστε βοήθεια ή περισσότερες λεπτομέρειες σε σχέση με αυτά τα εξαρτήματα, ρωτήστε το τοπικό σας κέντρο εξυπηρέτησης της Makita.

- Ατσαλένια λάμα πλάνης υψηλής ταχύτητας
- Λάμα πλάνης από καρβίδιο του βολφραμίου (για μεγαλύτερη διάρκεια ζωής της λάμας)
- Μικρή λάμα πλάνης
- Συγκρότημα υποδοχέα ακονίσματος
- Συναρμολόγηση μετρητή λάμας
- Σετ πλάκας συγκράτησης
- Συναρμολόγηση οδηγού χάρακα
- Πέτρα λείανσης
- Συγκρότημα σάκου συλλογής σκόνης
- Γωνία
- Συγκρότημα κανόνα γωνιοτομής
- Ασύρματη μονάδα
- Γνήσια μπαταρία και φορτιστής της Makita

**ΠΑΡΑΤΗΡΗΣΗ:** Μερικά στοιχεία στη λίστα μπορεί να συμπεριλαμβάνονται στη συσκευασία εργαλείου ως στάνταρ εξαρτήματα. Μπορεί να διαφέρουν ανάλογα με τη χώρα.

## TEKNİK ÖZELLİKLER

Model:	KP001G
Planya genişliği	82 mm
Planya derinliği	4 mm
Ahşap kesme derinliği	25 mm
Yüksüz hız	15.000 min <sup>-1</sup>
Toplam uzunluk (BL4040 ile)	385 mm
Anma voltajı	D.C. 36 V - 40 V maks.
Net ağırlık	3,7 - 4,9 kg

- Sürekli yapılan araştırma ve geliştirmelerden dolayı, burada belirtilen özellikler önceden bildirilmeksizin değiştirilebilir.
- Özellikler ve batarya kartuşu ülkeden ülkeye değişebilir.
- Ağırlık, ekli aksesuar/aksesuarlara ve batarya kartuşuna bağlı olarak farklılık gösterebilir. EPTA-Prosedürü 01/2014'e göre en hafif ve en ağır kombinasyonlar tabloda verilmiştir.

## Geçerli batarya kartuşu ve şarj aleti

Batarya kartuşu	BL4020* / BL4025* / BL4040* / BL4050F / BL4080F * : Önerilen batarya
Şarj aleti	DC40RA / DC40RB / DC40RC

- Yukarıda listelenen batarya kartuşlarının ve şarj aletlerinin bazıları yaşadığınız bölgeye bağlı olarak mevcut olmayabilir.

**⚠UYARI:** Sadece yukarıda listelenen batarya kartuşlarını ve şarj aletlerini kullanın. Başka batarya kartuşlarının ve şarj aletlerinin kullanılması yaralanma ve/veya yangına neden olabilir.

## Kullanım amacı

Bu alet ahşap malzemede planya işleri için tasarlanmıştır.

## Gürültü

Tipik A-ağırlıklı gürültü düzeyi (EN62841-2-14 standardına göre belirlenen):  
Ses basınç seviyesi (L<sub>PA</sub>): 90 dB (A)  
Ses gücü düzeyi (L<sub>WA</sub>): 98 dB (A)  
Belirsizlik (K): 3 dB (A)

**NOT:** Beyan edilen gürültü emisyonu değer(ler)i bir standart test yöntemine uygun şekilde ölçülmüştür ve bir aleti bir başkasıyla karşılaştırmak için kullanılabilir.

**NOT:** Beyan edilen gürültü emisyonu değer(ler)i bir ön maruz kalma değerlendirmesi olarak da kullanılabilir.

**⚠UYARI:** Kulak koruyucuları takın.

**⚠UYARI:** Elektrikli aletin gerçek kullanımı sırasındaki gürültü emisyonu, aletin kullanım biçimlerine, özellikle işlenen iş parçasının türüne bağlı olarak beyan edilen değer(ler)den farklı olabilir.

**⚠UYARI:** Gerçek kullanım koşullarındaki tahmini maruziyeti baz alan, operatörü koruyacak güvenlik önlemlerini mutlaka belirleyin (çalışma döngüsü içerisinde aletin kapalı olduğu ve aktif durumda olmasının yanı sıra boşta çalıştığı zamanlar gibi, bütün zaman dilimleri göz önünde bulundurarak).

## Titreşim

Titreşim toplam değeri (üç eksenli vektör toplamı) (EN62841-2-14 standardına göre hesaplanan):  
Çalışma modu: yüzey taşılama  
Titreşim emisyonu (a<sub>h</sub>): 4,3 m/s<sup>2</sup>  
Belirsizlik (K): 1,5 m/s<sup>2</sup>

**NOT:** Beyan edilen titreşim toplam değer(ler)i bir standart test yöntemine uygun şekilde ölçülmüştür ve bir aleti bir başkasıyla karşılaştırmak için kullanılabilir.

**NOT:** Beyan edilen titreşim toplam değer(ler)i bir ön maruz kalma değerlendirmesi olarak da kullanılabilir.

**⚠UYARI:** Elektrikli aletin gerçek kullanımı sırasındaki titreşim emisyonu, aletin kullanım biçimlerine, özellikle işlenen iş parçasının türüne bağlı olarak beyan edilen değer(ler)den farklı olabilir.

**⚠UYARI:** Gerçek kullanım koşullarındaki tahmini maruziyeti baz alan, operatörü koruyacak güvenlik önlemlerini mutlaka belirleyin (çalışma döngüsü içerisinde aletin kapalı olduğu ve aktif durumda olmasının yanı sıra boşta çalıştığı zamanlar gibi, bütün zaman dilimleri göz önünde bulundurarak).

## Uygunluk Beyanları

**Sadece Avrupa ülkeleri için**

Uygunluk beyanları bu kullanma kılavuzuna Ek A olarak eklenmiştir.

# GÜVENLİK UYARILARI

## Genel elektrikli alet güvenliği uyarıları

**⚠UYARI:** Bu elektrikli aletle birlikte sunulan tüm güvenlik uyarılarını, talimatları, çizimleri ve teknik özellikleri okuyun. Aşağıda verilen talimatlara uyulmaması elektrik şoku, yangın ve/veya ciddi yaralanmalar ile sonuçlanabilir.

## Tüm uyarıları ve talimatları ile-ride başvurmak için saklayın.

Uyarılardaki "elektrikli alet" terimi ile ya prizden çalışan (kordonlu) elektrikli aletiniz ya da kendi aküsü ile çalışan (kordsuz) elektrikli aletiniz kastedilmektedir.

## Akülü Planya Güvenlik Uyarıları

1. **Aleti bırakmadan önce kesici tamamen durana kadar bekleyin.** Açıkta bırakılan bir dönen kesici, yüzeye kapılarak kontrol kaybına ve ciddi yaralanmalara neden olabilir.
2. **İş parçasını sabit bir platforma bağlamak ve desteklemek için mengene veya başka bir pratik yol kullanın.** İş parçasını elle tutmak ya da vücudunuzla desteklemek sabit durmasına ve kontrolü kaybetmenize neden olabilir.
3. **Bez parçaları, kumaş, kablo, tel ve benzeri şeyleri çalışma alanının etrafında dağınık halde bırakmayın.**
4. **Çivileri kesmekten kaçının.** İşlemden önce iş parçasının üzerinde çivi olup olmadığını kontrol edin ve varsa hepsini çıkarın.
5. **Yalnızca keskin bıçaklar kullanın.** Bıçakları çok dikkatli şekilde tutun.
6. **Çalışmaya başlamadan önce bıçak montaj civatalarının sağlam şekilde sıkıldığından emin olun.**
7. **Aleti iki elle sıkıca tutun.**
8. **Ellerinizi dönen parçalardan uzak tutun.**
9. **Aleti gerçek bir iş parçası üzerinde kullanmadan önce bir süre boşa çalıştırın.** İyi takılmamış veya tam dengelenmemiş bir bıçağın belirtileri olan vibrasyon ya da sallanma olup olmadığına bakın.
10. **Anahtar açmadan önce bıçağın iş parçasına değmediğinden emin olun.**
11. **Kesmeden önce bıçak tam hıza ulaşana kadar bekleyin.**
12. **Kesme derinliğini ayarlamadan önce aleti daima kapalı konuma getirin ve bıçaklar tamamen durana kadar bekleyin.**
13. **Parmağınızı talaş yuvasına dayamayın.** Islak ahşap malzemeler kesilirken talaş yuvası tıkanabilir. Talaşları bir çubuk yardımıyla temizleyin.
14. **Aleti çalışır durumda bırakmayın.** Aleti sadece elinizde tutarken çalıştırın.
15. **Bıçakları veya tablanın bazı parçalarını değiştirirken tablanın her iki tarafındaki parçaları bir set olarak değiştirdiğinizden emin olun.** Aksi takdirde ortaya çıkan dengesizlik titreşime neden olacak ve aletin ömrünü kısaltacaktır.

16. **Yalnızca bu kılavuzda belirtilen Makita bıçaklarını kullanın.**
17. **Daima çalıştığınız malzeme ve yaptığınız iş uygun maske/respiratör kullanın.**
18. **Aleti dengeli durumda çalıştırın.** Dengesiz durumda çalışmak hasar veya yaralanmaya neden olabilir.

## BU TALİMATLARI SAKLAYIN.

**⚠UYARI:** Ürünü kullanırken (defalarca kullanınca kazanılan) rahatlık ve tanıdıklık duygusunun ilgili ürünün güvenlik kurallarına sıkı sıkıya bağlı kalmanın yerine geçmesine İZİN VERMEYİN.

**YANLIŞ KULLANIM** veya bu kullanma kılavuzunda belirtilen emniyet kurallarına uymama ciddi yaralanmaya neden olabilir.

## Batarya kartuşu hakkında önemli güvenlik talimatları

1. **Batarya kartuşunu kullanmadan önce, tüm talimatları ve (1) batarya kartuşu, (2) batarya ve (3) ürün üzerindeki tüm uyarı işaretlerini okuyun.**
2. **Batarya kartuşunu parçalarını ayırmayın veya kurcalamayın.** Yangın, aşırı ısı veya patlamaya neden olabilir.
3. **Çalışma süresi aşırı derecede kısalırsa kullanmayı derhal bırakın.** Aşırı ısınma, yanma riski hatta patlamaya neden olabilir.
4. **Gözünüze elektrolit kaçarsa, gözlerinizi temiz suyla durulayın ve hemen tıbbi yardım alın.** Görme kaybına yol açabilir.
5. **Batarya kartuşuna kısa devre yaptırmayın:**
  - (1) Terminallere herhangi bir iletken madde değdirmeyin.
  - (2) Batarya kartuşunu çiviler, madeni paralar, vb. gibi başka metal nesnelere aynı kaba koymaktan kaçının.
  - (3) Batarya kartuşunu yağmura ya da suya maruz bırakmayın.**Kısa devre, büyük bir akım akışına, aşırı ısınmaya, olası yanıklara hatta bataryanın bozulmasına yol açabilir.**
6. **Aleti ve batarya kartuşunu sıcaklığın 50 °C ya da daha yükseğe ulaştığı yerlerde saklamayın ve kullanmayın.**
7. **Aşırı derecede hasar görmüş ya da tamamen kullanılamaz durumda olsa bile batarya kartuşunu yakmayın.** Batarya kartuşu ateşe atılırsa patlayabilir.
8. **Batarya kartuşunu çivilemeyin, kesmeyin, ezmeyin, fırlatmayın, düşürmeyin ya da batarya kartuşuna sert bir nesne ile vurmayın.** Bu eylemler yangın, aşırı ısı veya patlamaya neden olabilir.
9. **Hasarlı bataryayı kullanmayın.**
10. **Aletin içerdiği lityum-iyon bataryalar Tehlikeli Eşyalar Yönetmeliğinin gereksinimlerine tabidir.**  
Ticari nakliye işlemleri için, örneğin üçüncü taraflar, nakliye acenteleri tarafından yapılan nakliyelerde, paketleme ve etiketleme gereksinimlerine uyulmalıdır.



Nakliyesi yapılacak ürünün hazırlanması için, tehlikeli maddeler konusunda uzman bir kişiye danışın. Lütfen muhtemelen daha ayrıntılı olan ulusal yönetmeliklere de uyun.

Açık kontakları bantlayın ya da maskeleyin ve bataryayı paketin içinde hareket etmeyecek şekilde paketlenin.

11. **Batarya kartuşunu bertaraf ederken aletten çıkarın ve güvenli bir yerde bertaraf edin. Bataryanın bertaraf edilmesi ile ilgili yerel düzenlemelere uyunuz.**
12. **Bataryaları sadece Makita tarafından belirtilen ürünlerle kullanın.** Bataryaların uyumsuz ürünlere takılması; yangın, aşırı ısınma, patlama ya da elektrolit sızıntısına neden olabilir.
13. **Alet uzun süre kullanılmıyacaksa batarya aletten çıkarılmalıdır.**
14. **Kullanma sırasında ve sonrasında batarya kartuşu ısınarak yanıklara veya düşük sıcaklık yanıklarına yol açabilir. Sıcak batarya kartuşları ile işlem yaparken dikkat edin.**
15. **Yanıklara neden olabilecek kadar sıcak olabileceğinden kullandıktan hemen sonra aletin terminaline dokunmayın.**
16. **Batarya kartuşunun terminallerine, deliklerine ve kanallarına mıcır, toz veya toprak girmesine izin vermeyin.** Aletin veya batarya kartuşunun ısınmasına, alev almasına, patlamasına ve arızalanmasına neden olarak yanıklara veya yaralanmaya yol açabilir.
17. **Alet yüksek gerilim elektrik güç hatları yakınında kullanımı desteklemediği sürece batarya kartuşunu yüksek gerilim elektrik güç hatlarının yakınında kullanmayın.** Aletin veya batarya kartuşunun arızalanmasına veya bozulmasına neden olabilir.
18. **Bataryayı çocuklardan uzak tutun.**

## BU TALİMATLARI MUHAFAZA EDİNİZ.

**⚠DİKKAT:** Sadece orijinal Makita bataryalarını kullanın. Orijinal olmayan Makita bataryaları ya da üzerine değişiklik yapılmış bataryaların kullanımı bataryanın patlamasına ve sonuç olarak yangın, kişisel yaralanma ve hasara neden olabilir. Ayrıca Makita aleti ve şarj aletinin Makita tarafından sunulan garantisini de geçersiz olur.

## Maksimum batarya ömrü için ipuçları

1. **Batarya kartuşunu tamamen boşalmadan önce şarj edin.** Aletin gücünün zayıflamaya başladığını fark ettiğinizde aleti durdurun ve batarya kartuşunu şarj edin.
2. **Tam dolu bir batarya kartuşunu asla yeniden şarj etmeyin.** Aşırı şarj etme bataryanın hizmet ömrünü kısaltır.
3. **Batarya kartuşunu 10 °C - 40 °C oda sıcaklığında şarj edin.** Sıcak bir batarya kartuşunu şarj etmeden önce soğumasını bekleyin.
4. **Batarya kartuşunu kullanmıyorken aletten veya şarj aletinden çıkarın.**
5. **Uzun bir süre (altı aydan daha fazla) kullanmadığınız durumlarda batarya kartuşunu şarj edin.**

## Kablosuz ünitesi için önemli güvenlik talimatları

1. **Kablosuz ünitesini parçalarına ayırmayın veya kurcalamayın.**
2. **Kablosuz ünitesini küçük çocuklardan uzak tutun.** Kazara yutulursa derhal tıbbi yardım alın.
3. **Kablosuz ünitesini sadece Makita aletlerle kullanın.**
4. **Kablosuz ünitesini yağmura veya ıslak koşullara maruz bırakmayın.**
5. **Kablosuz ünitesini sıcaklığın 50 °C'yi aştığı yerlerde kullanmayın.**
6. **Kablosuz ünitesini, kalp pilleri gibi tıbbi cihazların yakınında bulunan yerlerde kullanmayın.**
7. **Kablosuz ünitesini, otomatik cihazların yakınında bulunan yerlerde kullanmayın.** Kullanılırsa otomatik cihazlar arızalanabilir veya hata verebilir.
8. **Kablosuz ünitesini, yüksek sıcaklık altındaki yerlerde veya statik elektrik veya elektrik gürültüsü üretilebilecek yerlerde kullanmayın.**
9. **Kablosuz ünitesi elektromanyetik alanlar üretilebilir ancak onlar kullanıcıya zararlı değildir.**
10. **Kablosuz ünitesi hassas bir cihazdır. Kablosuz ünitesini düşürmemeye veya çarpmamaya dikkat edin.**
11. **Kablosuz ünitesinin terminaline çıplak ellerle veya metalik malzemelerle dokunmaktan kaçınınız.**
12. **Kablosuz ünitesini ürüne takarken ürünün üzerindeki bataryayı mutlaka çıkarın.**
13. **Yuva kapağını açarken yuvaya toz ve suyun girebileceği yerlerden kaçınınız. Yuva girişini daima temiz tutun.**
14. **Kablosuz ünitesi her zaman doğru yönde takınız.**
15. **Kablosuz ünitesinin üzerindeki kablosuz çalıştırma düğmesine çok sert basmayın ve/veya düğmeye keskin uçlu bir cisim ile basmayın.**
16. **Kullanırken yuva kapağını mutlaka kapatınız.**
17. **Alete güç beslenirken kablosuz ünitesini yuvadan çıkarmayınız.** Aksi takdirde kablosuz ünitesi arızalanabilir.
18. **Kablosuz ünitesinin üzerindeki etiketi çıkarmayınız.**
19. **Kablosuz ünitesinin üzerine hiçbir etiket koymayınız.**
20. **Kablosuz ünitesini, statik elektrik veya elektrik gürültüsü üretilebilecek yerlerde bırakmayınız.**
21. **Kablosuz ünitesini, güneşin altında duran bir araba gibi yüksek ısıya maruz yerlerde bırakmayınız.**
22. **Kablosuz ünitesini, tozlu veya aşındırıcı gaz üretilebilecek yerlerde bırakmayınız.**
23. **Ani sıcaklık değişimleri kablosuz ünitesini nemlendirebilir. Nem tamamen kuruyana dek kablosuz ünitesini kullanmayınız.**
24. **Kablosuz ünitesini temizlerken kuru yumuşak bir bezle nazikçe siliniz. Benzin, tiner, iletken gres veya benzeri maddeler kullanmayınız.**

25. **Kablosuz ünitesini saklarken ürünle verilen kutusunda veya anti-statik bir kaptaki saklayın.**
26. **Alet üzerindeki yuvaya Makita kablosuz ünitesi dışında başka hiçbir ağıt sokmayın.**
27. **Aleti, yuvanın kapağı hasarlı iken kullanmayın.** Yuvaya giren su, toz ve pislik arızaya neden olabilir.
28. **Yuvanın kapağını gerekenden fazla çekmeyin ve/veya bükmeyin.** Aletten çıkması durumunda kapağı yeniden takın.
29. **Kaybolur veya hasar görürse kapağı değiştirin.**

## BU TALİMATLARI MUHAFAZA EDİNİZ.

## İŞLEVLERİN AÇIKLANMASI

**⚠️ DİKKAT:** Alet üzerinde ayarlama veya işleyiş kontrolü yapmadan önce aletin kapalı ve batarya kartuşunun ayrılmış olduğundan daima emin olun.

### Batarya kartuşunun takılması ve çıkarılması

**⚠️ DİKKAT:** Batarya kartuşunu takmadan ya da çıkarmadan önce aleti daima kapatın.

**⚠️ DİKKAT:** Batarya kartuşunu takarken veya çıkarırken aleti ve batarya kartuşunu sıkıca tutun. Aletin ve batarya kartuşunun sıkıca tutulmaması bunların düşürülmesine sebep olabilir ve alet ve batarya kartuşunun zarar görmesine ya da ciddi yaralanmasına yol açabilir.

► **Şek.1:** 1. Kırmızı göstergesi 2. Düğme 3. Batarya kartuşu

Batarya kartuşunu çıkarmak için, kartuşun ön tarafındaki düğmeyi kaydırarak kartuşu aletten çıkarın.

Batarya kartuşunu takmak için, batarya kartuşu üzerindeki dili yuvanın oluğu ile hizalayın ve kartuşu yerine oturtun. Kartuşu, küçük bir tık sesi ile yerine sabitlenene dek sonuna kadar itin. Şekilde gösterildiği gibi kırmızı göstergesiye görebiliyorsanız tam olarak kilitlenmemiş demektir.

**⚠️ DİKKAT:** Batarya kartuşunu daima kırmızı göstergesi görünmeyecek şekilde tam olarak takın. Yerine tam oturmazsa, aletten yanlışlıkla düşebilir, sizin ya da çevrenizdeki kişilerin yaralanmasına neden olabilir.

**⚠️ DİKKAT:** Batarya kartuşunu zorlayarak takmayın. Kartuş kolay bir şekilde kaymıyorsa doğru yerleştirilmemiş demektir.

## Alet/batarya koruma sistemi

Bu alet bir alet/batarya koruma sistemi ile donatılmıştır. Bu sistem motora giden gücü otomatik olarak keserek uzun alet ve batarya ömrü sağlar. Alet veya batarya için aşağıdaki durumlardan biri söz konusu olduğunda aletin işleyişi otomatik olarak durur:

### Aşırı yük koruması

Alet/batarya, anormal derecede yüksek akım çekmesine neden olacak şekilde kullanıldığında, alet otomatik olarak durur. Bu durumda, aleti kapatın ve aletin aşırı yüklenmesine neden olan uygulamayı durdurun. Daha sonra aleti yeniden çalıştırmak için açın.

### Aşırı ısınma koruması

Alet/batarya aşırı ısındığında, alet otomatik olarak durur. Bu durumda, yeniden çalıştırmadan önce aletin/bataryanın soğumasını bekleyin.

### Aşırı deşarj koruması

Batarya kapasitesi yeterli olmadığında, alet otomatik olarak durur. Bu durumda, bataryayı aletten çıkarın ve bataryayı tekrar şarj edin.

### Diğer nedenlere karşı korumalar

Koruma sistemi, alete zarar verebilecek diğer nedenler için de tasarlanmıştır ve aletin otomatik olarak durmasını sağlar. Alet çalışırken geçici duraklama ve durma yaparsa nedenleri ortadan kaldırmak için aşağıdaki tüm adımları uygulayın.

1. Aleti kapatın ve ardından tekrar açarak yeniden çalıştırın.
2. Bataryaları şarj edin veya şarjlı bataryalarla değiştirin.
3. Aletin ve bataryaların soğumasını bekleyin.

Koruma sistemi eski haline getirilerek ilerleme kaydedilemezse yerel Makita Servis Merkezimize başvurun.

## Kalan batarya kapasitesinin gösterilmesi

Kalan batarya kapasitesini göstermesi için batarya kartuşu üzerindeki kontrol düğmesine basın. Göstergesi lambaları birkaç saniye yanar.

► **Şek.2:** 1. Göstergesi lambaları 2. Kontrol düğmesi

Göstergesi lambaları			Kalan kapasite
Yanıyor	Kapalı	Yanıp sönmüyor	
■	□	□	%75 ila %100
■	■	□	%50 ila %75
■	■	□	%25 ila %50
■	□	□	%0 ila %25
■	□	□	Bataryayı şarj edin.
■	■	□	Batarya arızalanmış olabilir.

**NOT:** Kullanım koşullarına ve ortam sıcaklığına bağlı olarak, gösterilen değer gerçek kapasiteden biraz farklılık gösterebilir.

**NOT:** İlık (en soldaki) gösterge lambası, batarya koruma sistemi çalıştığında yanıp söner.

## Kesim derinliğini ayarlamak

**⚠ DİKKAT:** Kesme derinliğini ayarlamadan önce aleti daima kapalı konuma getirin ve bıçaklar tamamen durana kadar bekleyin.

**NOT:** Derinlik ayarlama düğmesini çevirirken kolu diğer elinizle sıkıca tuttuğunuzdan emin olun.

Kesim derinliği, aletin önündeki derinlik ayarlama düğmesi çevrilerek ayarlanabilir. Düğmeyi çevirerek ibreyi derinlik ölçeği üzerindeki istediğiniz kesim derinliği ile hizalayın.

- **Şek.3:** 1. Derinlik ayarlama düğmesi 2. İbre  
3. Derinlik ölçeği

## Anahtarın işlemi

**⚠ UYARI:** Batarya kartuşunu alete takmadan önce anahtar tetiğinin doğru çalıştığından ve bırakıldığında "OFF" (kapalı) konumuna döndüğünden emin olun.

**⚠ UYARI:** Güvenlik kilidi düğmesini ASLA bantlayarak ya da başka bir yöntemle devre dışı bırakmaya çalışmayın. Güvenlik kilidi düğmesi devre dışı bırakılmış bir anahtar, istem dışı çalışmaya ve ciddi kişisel yaralanmalara neden olabilir.

**⚠ UYARI:** Güvenlik kilidi düğmesine basmadan sadece anahtar tetik çekildiğinde çalışan bir aleti ASLA kullanmayın. Tamir edilmesi gereken bir anahtar, istem dışı çalışmaya ve ciddi kişisel yaralanmalara neden olabilir. Daha fazla kullanmadan ÖNCE doğru bir şekilde tamir ettirmek için aleti bir Makita servisine götürün.

**ÖNEMLİ NOT:** Güvenlik kilidi düğmesine basmadan anahtar tetiği sıkıca çekmeyin. Bu, anahtarın kırılmasına neden olabilir.

Anahtar tetiğinin yanlışlıkla çekilmesini önlemek için güvenlik kilidi düğmesi sağlanmıştır. Aleti başlatmak için, güvenlik kilidi düğmesine basıp basılı tutun ve ardından anahtar tetiği çekin. Durdurmak için anahtar tetiği serbest bırakın.

- **Şek.4:** 1. Anahtar tetik 2. Güvenlik kilidi düğmesi

## Ayak

Planya bıçaklarının doğrudan iş parçasına dokunmasını önlemek için aleti çalışma yüzeylerinden yukarı kaldırdığınızda ayak arka tabandan aniden çıkar. Kullanımda değilken planya bıçaklarının kazara hasar görmesini önler.

Alet tabanını çalışma yüzeylerine yeniden yerleştirdiğinizde ayak arka tabanın içine geri girer.

- **Şek.5:** 1. Planya bıçağı 2. Arka taban 3. Ayak  
4. Çalışma yüzeyi

## İstemsiz yeniden başlatma önleyici işlev

Batarya kartuşunu anahtar tetiği çekerken takarsanız alet çalışmaz. Aleti başlatmak için anahtar tetiği bırakın ve ardından güvenlik kilidi düğmesine basarken anahtar tetiği tekrar çekin.

## Elektronik işlev

Alet, kolay kullanım için aşağıdaki elektronik fonksiyonlarla donatılmıştır.

## Elektrikli fren

Alet bir elektrikli fren ile donatılmıştır. Anahtar tetik bırakıldıktan sonra alet sürekli olarak çabucak durmuyorsa alete yerel Makita Servis Merkezinde bakım yaptırın.

## Yumuşak başlatma özelliği

Yumuşak başlatma fonksiyonu başlangıç şokunu en alt düzeye indirir ve aletin daha rahat başlamasını sağlar.

## MONTAJ

**⚠ DİKKAT:** Alet üzerinde herhangi bir iş yapmadan önce aletin kapalı ve batarya kartuşunun ayrılmış olduğundan daima emin olun.

## Lokma anahtarın saklanması

Kullanılmadığı zamanlarda, lokma anahtarın kaybolmasını önlemek için anahtarı şekilde gösterildiği gibi saklayın.

- **Şek.6:** 1. Lokma anahtar

## Planya bıçaklarının takılması ve çıkarılması

**⚠ DİKKAT:** Alete planya bıçaklarını takarken bıçak montaj civatalarını dikkatlice sıkın. Civataların doğru şekilde sıkılıp sıkılmadığını daima kontrol edin. Gevşek montaj civataları tehlikeli olabilir.

**⚠ DİKKAT:** Planya bıçaklarını çok dikkatli şekilde tutun. Parmaklarınızı veya ellerinizi korumak için planya bıçaklarını çıkarırken ve takarken eldiven veya bir bez parçası kullanın.

**⚠ DİKKAT:** Planya bıçaklarını çıkarmak ve takmak için yalnızca ürünle verilen Makita anahtarı kullanın. Bunu yapmamak, montaj civatalarının aşırı ya da yetersiz sıkılmasıyla sonuçlanabilir. Bu da yaralanmalara yol açabilir.

**ÖNEMLİ NOT:** Planya bıçaklarını takmak için tabla veya planya bıçaklarına yapışmış tüm talaş veya yabancı maddeleri temizleyin. Aynı boyut ve ağırlıkta planya bıçakları kullanın, aksi takdirde kötü planyalama işlemine neden olacak tabla salınımı/titreşimine ve alette bozulmaya yol açabilir.

## Standart planya bıçaklı aletler için

**NOT:** Tablaya bir çift planya bıçağı monte edilir. Her bir planya bıçağı için aşağıdaki prosedürleri tekrarlayın.

### Standart planya bıçaklarını çıkarma

1. Verilen lokma anahtarını kullanarak montaj civatalarını tabladan çıkarın.
2. Tabla levhası ve standart planya bıçağını (ayar levhali) tabladan sökün.  
► **Şek.7:** 1. Montaj civatası 2. Tabla levhası 3. Standart bıçak (ayar levhası ile) 4. Tabla
3. Standart planya bıçağından vidaları çıkarın ve ardından ayar levhasını çıkarın.  
► **Şek.8:** 1. Vidalar 2. Standart planya bıçağı 3. Ayar levhası

### Standart planya bıçaklarını takma

1. Kesici kenarını bıçak mastarı üzerindeki kılavuz duvarla yatay olarak hizalayarak bir standart planya bıçağını bıçak mastarının üzerine yerleştirin.  
► **Şek.9:** 1. Standart planya bıçağı 2. Bıçak mastarı 3. Kesici kenar 4. Kılavuz duvar
2. Ayar levhasını standart planya bıçağının üzerine yerleştirin ve ardından vidaları hafifçe sıkın.
3. Konumlandırma kılavuzu, bıçak mastarının arka yan duvarı boyunca düzgün ve tümüyle geçene kadar ayar levhasını ileri doğru itin.
4. Ayar levhasını olduğu yerde tutun ve yerine sabitlemek için vidaları sıkın.  
► **Şek.10:** 1. Ayar levhası 2. Standart planya bıçağı 3. Vida 4. Konumlandırma kılavuzu 5. Arka yan duvar 6. Bıçak mastarı
5. Tabla ve standart planya bıçağına yapışmış tüm talaş ve yabancı maddeleri temizleyin.
6. Ayar levhasının konumlandırma kılavuzunu tabladaki kılavuz yuvasının içine sokun ve ardından tabla levhasını standart planya bıçağının (ayar levhali) üzerine yerleştirin.
7. Tüm montaj civatalarını lokma anahtar ile çapraz şekilde eşit olarak sıkın.  
► **Şek.11:** 1. Konumlandırma kılavuzu 2. Ayar levhası 3. Kılavuz yuvası 4. Tabla 5. Tabla levhası 6. Standart planya bıçağı 7. Montaj civatası

## Mini planya bıçaklı aletler için

**NOT:** Tablaya bir çift planya bıçağı monte edilir. Her bir planya bıçağı için aşağıdaki prosedürleri tekrarlayın.

### Mini planya bıçaklarını çıkarma

1. Verilen lokma anahtarını kullanarak montaj civatalarını bir tur gevşetin.  
► **Şek.12:** 1. Montaj civatası 2. Lokma anahtar
2. Bıçağın bir ucunu kayış kapağı tarafından dışarı doğru ittirerek mini planya bıçağını tabladan kaydırarak çıkarın.  
► **Şek.13:** 1. Mini planya bıçağı 2. Tabla 3. Kayış kapağı 4. Lokma anahtarın T kolu

**NOT:** Daha güvenli çalışma ve bakım için mini planya bıçağını kaydırarak dışarı çıkarmak üzere lokma anahtarın T kolunun uçlarını kullanın.

## Mini planya bıçaklarını takma

1. Tabla ve mini planya bıçağına yapışmış tüm talaş ve yabancı maddeleri temizleyin.
2. Bıçağın bir ucunu kayış kapağının aksi tarafından içeri doğru ittirerek tabla ile oturma levhasının arasına bir mini planya bıçağını kaydırarak takın.
3. Tüm montaj civatalarını lokma anahtar ile çapraz şekilde eşit olarak sıkın.  
► **Şek.14:** 1. Mini planya bıçağı 2. Tabla 3. Oturma levhası 4. Kayış kapağı 5. Montaj civatası 6. Lokma anahtar

### Mini planya bıçağı kalibrasyonu

Çalışma verimliliğini optimize etmek için planya bıçaklarını düzenli aralıklarla kalibre edin.

1. Verilen lokma anahtarını kullanarak montaj civatalarını bir tur gevşetin.
2. Bıçağın bir ucunu kayış kapağı tarafından dışarı doğru ittirerek mini planya bıçağını tabladan kaydırarak çıkarın.
3. Lokma anahtarını kullanarak montaj civatalarını tabladan çıkarın.
4. Tabla levhası ve oturma levhasını (ayar levhali) tabladan sökün.  
► **Şek.15:** 1. Montaj civatası 2. Tabla levhası 3. Oturma levhası (ayar levhali) 4. Tabla
5. Ayar levhasını ayırmak için oturma levhası üzerindeki vidaları bir tur gevşetin.  
► **Şek.16:** 1. Vidalar 2. Oturma levhası 3. Ayar levhası
6. Oturma levhası (ayar levhali) ve mini planya bıçağına yapışmış tüm talaş ve yabancı maddeleri temizleyin.
7. Kesici kenarını bıçak mastarı üzerindeki kılavuz duvarla yatay olarak hizalayarak mini planya bıçağını bıçak mastarının üzerine yerleştirin.
8. Oturma levhası üzerindeki kılavuz çıkıntıları mini planya bıçağı üzerindeki kılavuz yuvaları ile hizalayarak oturma levhasını (ayar levhali) mini planya bıçağının üzerine yerleştirin.  
► **Şek.17:** 1. Mini planya bıçağı 2. Bıçak mastarı 3. Kesici kenar 4. Kılavuz duvar 5. Oturma levhası (ayar levhali) 6. Kılavuz çıkıntı 7. Kılavuz yuvası

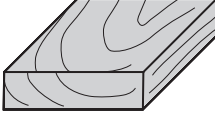
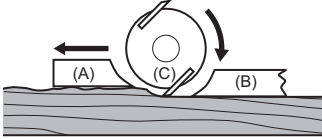
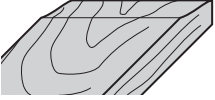
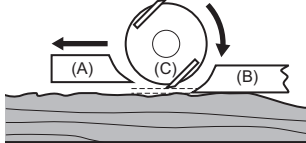
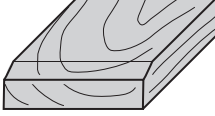
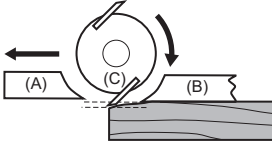
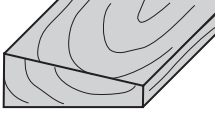
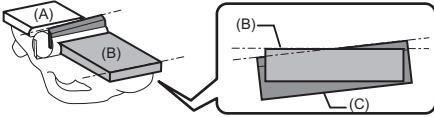
9. Konumlandırma kılavuzu, bıçak mastarının arka yan duvarı boyunca düzgün ve tümüyle geçene kadar ayar levhasını ileri doğru itin.
10. Ayar levhasını olduğu yerde tutun ve yerine sabitlemek için vidaları sıkın.  
► **Şek.18:** 1. Ayar levhası 2. Oturma levhası 3. Vida 4. Konumlandırma kılavuzu 5. Arka yan duvar 6. Bıçak mastarı
11. Ayar levhasının konumlandırma kılavuzunu tabladaki kılavuz yuvasının içine sokun ve ardından tabla levhasını oturma levhasının (ayar levhali) üzerine yerleştirin.  
► **Şek.19:** 1. Konumlandırma kılavuzu 2. Ayar levhası 3. Kılavuz yuvası 4. Tabla 5. Tabla levhası 6. Oturma levhası 7. Montaj civatası

12. Montaj civatalarını hafifçe sıkın ve bıçağın bir ucunu kayış kapağının aksi tarafından içeri doğru ittirerek tabla ile oturma levhasının arasına bir mini planya bıçağını kaydırarak takın.
13. Tüm montaj civatalarını lokma anahtar ile çapraz şekilde eşit olarak sıkın.  
► **Şek.20:** 1. Mini planya bıçağı 2. Tabla 3. Oturma levhası 4. Kayış kapağı 5. Montaj civatası 6. Lokma anahtar

## Planya bıçağı ayarları

Planya bıçaklarının doğru ve sağlam şekilde takılmaması durumunda planya yüzeyinde dalgalar ve pürüzler oluşacaktır.

Planya bıçaklarını, kesici kenarlar dik açıda, arka taban çizgisi ile tam aynı seviyede ve düzlem tabanına tümüyle paralel oturacak şekilde doğru bir biçimde takın. Uygun ayarlar için tablodaki örnekleri okuyun.

Planya yüzeyi	Bıçak ayarı	Neden
Doğru ayar 		Kesici kenarlar arka taban çizgisi ile aynı seviyede oturur ve düzlem tabanına bir taraftan diğerine paralel çalışır.
Başta oyma 		Kesici kenarlar arka taban çizgisine ulaşmaz.
Sonra oyma 		Kesici kenarlar arka taban çizgisini geçer.
Yüzeyde eğrilik 		Kesici kenarlar düzlemin tabanına bir taraftan diğerine paralel oturmaz.

(A): Ön taban (Ayarlanabilir pabuç)  
(B): Arka taban (Sabit pabuç)  
(C): Planya bıçağı

## Kılavuz cetvelin takılması

1. Kayış kapağı yukarı bakacak şekilde aleti yere koyun.
2. Alet kafasının yanındaki montaj deliğine kelebek vida ile sabitleyerek kılavuz cetveli monte edin.  
► **Şek.21:** 1. Kayış kapağı 2. Kılavuz cetvel 3. Kelebek vida 4. Montaj deliği
3. Kenar mesnedini içeri ve dışarı kaydırarak istediğiniz planya genişliğine getirin ve ardından kelebek vidayı sıkarak gerekli konumda sabitleyin.  
► **Şek.22:** 1. Kenar mesnedi 2. Kelebek vida

## Derinlik kılavuzunun takılması

1. Kayış kapağı aşağı bakacak şekilde aleti yere koyun.
2. Alet kafasının yanındaki montaj deliğine pul ve kelebek vida ile sabitleyerek derinlik kılavuzunu monte edin.  
► **Şek.23:** 1. Kayış kapağı 2. Derinlik kılavuzu 3. Pul 4. Kelebek vida 5. Montaj deliği
3. Derinlik kılavuzunu yukarı ve aşağı kaydırarak istediğiniz planya derinliğine getirin ve ardından kelebek vidayı sıkarak gerekli konumda sabitleyin.  
► **Şek.24:** 1. Derinlik kılavuzu 2. Kelebek vida

## Pah kırma cetvellerinin takılması

### İsteğe bağlı aksesuar

1. Ön taban yukarı bakacak şekilde aleti yere koyun.
2. Kollar üzerindeki çıkıntıları kenar mesnetleri üzerindeki kılavuz yarıkları ile hizalayarak kenar mesnetlerini takın ve pullar ve kelebek vidalar ile sabitleyin.
3. Pah kırma cetvellerini (kenar mesnetleri ve montaj kolları setleri) alet kafasının her iki tarafındaki montaj deliklerine kelebek vidalarla sabitleyerek yerine monte edin.  
► **Şek.25:** 1. Ön taban 2. Kenar mesnedi 3. Montaj kolu 4. Çıkıntı 5. Kılavuz yarığı 6. Pul 7. Kelebek vida 8. Montaj deliği
4. Kenar mesnetlerini içeri ve dışarı kaydırarak istediğiniz pah kırma aralığına getirin ve ardından kelebek vidaları sıkarak gerekli konumda sabitleyin.  
► **Şek.26:** 1. Kenar mesnedi 2. Kelebek vida

## Toz ve talaş çıkarma

Toz ve talaş, boşaltma ağızlarının sol veya sağ tarafından boşaltılabilir. Tercih ettiğiniz toz çıkarma yönünün aksi tarafındaki boşaltma ağızını tapa ile kapatın.

Tapayı boşaltma ağızından çıkarmak için tapayı kola doğru hafifçe çevirerek kilitten kurtarın ve ardından çekip çıkarın.

► **Şek.27:** 1. Tapa 2. Kol

Takmak için tapadaki kilitleme yivini ağızdaki kılavuz çıkıntı ile hizalayarak tapayı ağızlardan birine düz bir şekilde yerine kilitlemeye kadar sokun.

► **Şek.28:** 1. Tapa 2. Kilitleme yivi 3. Kılavuz çıkıntı

## Toz torbası

### İsteğe bağlı aksesuar

Toz torbasını boşaltma ağızlarından birine takın ve sonuna kadar sıkı bir şekilde ittirin. Çalışma sırasında çıkmaması için toz torbasının konik ağzın üzerine sıkıca yerleştirildiğinden emin olun.

► **Şek.29:** 1. Toz torbası 2. Boşaltma ağızı

Toz torbasının yarısı dolduğunda toz torbasını aletten ayırın ve bağlama elemanını çekip çıkarın. Toz torbasını boşaltın. İçine yapışmış, daha fazla dolmasını engelleyebilecek parçacıkların çıkması için toz torbasını hafifçe vurun.

► **Şek.30:** 1. Bağlama elemanı

**NOT:** Bu alete Makita marka bir elektrikli süpürge bağlarsanız daha verimli ve daha temiz çalışmalar gerçekleştirilebilir.

## Bir elektrikli süpürgeye bağlanması

Temiz bir planya işlemi gerçekleştirmek isterseniz, aletinize Makita marka bir elektrikli süpürge bağlayın. Elektrikli süpürgeye hortumunu şekillerde gösterildiği gibi boşaltma ağızlarından birine bağlayın.

► **Şek.31:** 1. Elektrikli süpürge

## Dirsek

### İsteğe bağlı aksesuar

Daha temiz çalışma ortamı için çıkarma hava akışını istediğiniz açılarda yoğunlaştırmak için bir toz çıkarıcı dirsek kullanın. Dirseği boşaltma ağızlarından birine takın ve sonuna kadar sıkı bir şekilde ittirin.

► **Şek.32:** 1. Dirsek

## KULLANIM

**⚠DİKKAT:** Aleti kullanırken, aleti bir elinizle anahtar kolundan ve diğer elinizle derinlik ayarlama düğmesinden sıkıca tutun.

## Planya işlemi

1. Aleti bir elinizle anahtar kolundan ve diğer elinizle derinlik ayarlama düğmesinden olmak üzere iki elinizle sıkıca tutun.
2. Aletin ön tabanını iş parçası yüzeyine, planya bıçakları temas etmeden düz bir şekilde dayayın.
3. Aleti çalıştırın ve tam hızına ulaşmasını bekleyin.
4. Tüm planya tabanını iş parçası yüzeyi ile aynı seviyede ve eşit tutmak için başlangıçta derinlik ayarlama düğmesine bir miktar daha fazla aşağı doğru baskı uygulayarak aleti hafifçe ileri doğru hareket ettirin.

► **Şek.33**

5. İşlemin yarısında iş parçası yüzeyine basıncı eşit uygulamak için dikkatli olun ve aleti ileri doğru sabit bir şekilde ittirin.

► **Şek.34**

**NOT:** Hem ön hem de arka tabanlar iş parçası yüzeyine temas ettiğinden anahtar kolu ile derinlik ayarlama düğmesi arasında el baskısını dengeleyin.

6. Ön taban iş parçası yüzeyinden düşeceği için bir geçişin sonunda fazla ileri gitmeyi önlemek için anahtar koluna daha fazla kontrol uygulayın.

► **Şek.35**

**NOT:** İş parçasını hafif ileri eğimle konumlandırırsanız planya işlemi daha kolay olabilir, böylece çalışma sırasında aleti tutmak için uygulanan basıncı azaltabilirsiniz.

**NOT:** Kesme hızını ve derinliğini istediğiniz yüzey durumu için ayarlayın.

Kaba yüzeyler için kesim derinliğini iş parçası üzerinde yeterli kadar derin olacak şekilde ayarlayın.

Düzgün ve ince bir yüzey için sıg kesim derinliği ile aleti yavaşça ittirin ve daha fazla geçiş yapın.

## Ahşap kesme (Lambalı geçme)

► **Şek.36**

Şekilde gösterildiği gibi kademeli bir kesim yapmak için kılavuz cetveli kullanın.

1. Kılavuz cetveli ve derinlik kılavuzunu alete takın ve pullar ve kelebek vidalarla sabitleyin.
2. Derinlik kılavuzunu lambiri derinliğine ayarlayın ve kelebek vida ile yerine sabitleyin.
3. İş parçasının üzerine bir kesim çizgisi çizin ve bıçak kenarını kesim çizgisi ile hizalayın.

► **Şek.37:** 1. Bıçak kenarı 2. Kesim çizgisi 3. Derinlik kılavuzu 4. Kelebek vida

**NOT:** Lambiri için bıçak kenarının tablanın yan ucundan 1,6 mm - 1,8 mm çıktığından emin olun. (Aşağıdaki şekilde "A"ya bakın.)

\* Bıçak ucunun ön tabanın yan ucundan 0,2 mm - 0,4 mm çıkmasına izin vermeyi tercih edebilirsiniz. (Aşağıdaki şekilde "B"ye bakın.)

► **Şek.38:** 1. Bıçak kenarı 2. Tablanın yan ucu 3. Ön kaidenin yan ucu

4. Kenar mesnedini kılavuz cetvelin içine, iş parçasının yan duvarına temas edene kadar içeri doğru kaydırın. Ardından kelebek vida ile yerine sabitleyin.

► **Şek.39:** 1. Kılavuz cetvel 2. Kenar mesnedi 3. Yan duvar 4. Kelebek vida

5. Tüm kenar mesnedi iş parçasının yan duvarı boyunca kayacak şekilde aleti hareket ettirerek planya işlemini gerçekleştirin.

**NOT:** Kılavuz bariyerinin montaj deliklerine ek bir ahşap parçası takarak kılavuz bariyerinin uzanma uzunlukları artırılabilir.

► **Şek.40:** 1. Ek ahşap parçası 2. Montaj delikleri

## Pah kırılması

► **Şek.41**

Şekilde gösterildiği gibi pah kırma kesimi yapmak için ön tabanda kesilen "V" yivlerini kullanın.

Ön tabandaki üç "V" yivinden birini iş parçasının köşe kenarı ile hizalayarak aleti hareket ettirmek suretiyle planya işlemini gerçekleştirin.

► **Şek.42:** 1. V yivi (orta miktarda pah kırma) 2. V yivi (küçük miktarda pah kırma) 3. V yivi (büyük miktarda pah kırma)

## Pah kırma cetvellerinin kullanılması

*İsteğe bağlı aksesuar*

1. Kenar mesnetlerini pah kırma cetvellerinin içine, iş parçasının köşe duvarlarına temas edene kadar kaydırın.

2. Kenar mesnetlerini kelebek vidalarla yerlerine sabitleyin.

3. Tüm kenar mesnetleri iş parçasının köşe duvarları boyunca kayacak şekilde aleti hareket ettirerek planya işlemini gerçekleştirin.

► **Şek.43:** 1. Pah kırma cetveli 2. Kenar mesnetleri 3. Kelebek vida

**NOT:** Büyük pah kırmalar için şekilde gösterildiği gibi küçük pah kırmadan başlayıp daha büyük pah kırmaya geçerek çok sayıda geçiş yapın.

► **Şek.44:** 1. Pah kırma cetvelinin kenarı 2. Küçük pah kırma 3. Büyük pah kırma

# KABLOSUZ ÇALIŞTIRMA İŞLEVİ

## Kablosuz çalıştırma işlevi ile yapabileceğiniz

Kablosuz çalıştırma işlevi temiz ve rahat kullanım sağlar. Alete desteklenen bir elektrikli süpürge bağlayarak elektrikli süpürgeyi aletin anahtarla çalıştırılması ile birlikte çalıştırabilirsiniz.

► **Şek.45**

Kablosuz çalıştırma işlevini kullanmak için aşağıdaki unsurları hazırlayın:

- Bir kablosuz ünitesi (isteğe bağlı aksesuar)
- Kablosuz çalıştırma işlevini destekleyen bir elektrikli süpürge

Kablosuz çalıştırma işlevi ayarına genel bakış aşağıda verilmiştir. Ayrıntılı işlemler için her bir kısma bakın.

1. Kablosuz ünitesinin takılması
2. Elektrikli süpürge için alet kaydı
3. Kablosuz çalıştırma işlevinin başlatılması

## Kablosuz ünitesinin takılması

*İsteğe bağlı aksesuar*

**⚠DİKKAT:** Kablosuz ünitesini takarken aleti düz ve dengeli bir zemine yerleştirin.

**ÖNEMLİ NOT:** Kablosuz ünitesini takmadan önce aletin üzerindeki toz ve kiri temizleyin. Toz veya kir, kablosuz ünitesinin yuvasına girerse arızaya neden olabilir.

**ÖNEMLİ NOT:** Statik elektrik kaynaklı arızaları engellemek için kablosuz ünitesini almadan önce aletin metal kısmı gibi statik deşarj özellikli bir materyale dokununuz.

**ÖNEMLİ NOT:** Kablosuz ünitesini takarken kablosuz ünitesinin doğru yönde sokulduğundan ve kapağın tamamen kapatıldığından mutlaka emin olun.

1. Aletin üzerindeki kapağı şekilde gösterildiği gibi açın.

► **Şek.46:** 1. Kapak

2. Kablosuz ünitesini yuvaya sokun ve daha sonra kapağı kapatın.

Kablosuz ünitesini sokarken çıkıntıları yuva üzerindeki girintili kısımlarla hizalayın.

► **Şek.47:** 1. Kablosuz ünitesi 2. Çıkıntı 3. Kapak 4. Girintili kısım

Kablosuz ünitesini çıkarırken kapağı yavaşça açın. Kapağın arka kısmındaki kancalar, kapağı yukarı çektiğinizde kablosuz ünitesini kaldıracaktır.

► **Şek.48:** 1. Kablosuz ünitesi 2. Kanca 3. Kapak

Kablosuz ünitesini çıkardıktan sonra ürünle verilen kutusunda veya anti-statik bir kapta saklayın.

**ÖNEMLİ NOT:** Kablosuz ünitesini çıkarırken daima kapağın arka kısmındaki kancaları kullanın. Kancalar kablosuz ünitesini yakalamazsa kapağı tamamen kapatın ve yavaşça tekrar açın.



## Elektrikli süpürge için alet kaydı

**NOT:** Alet kaydı için kablosuz çalıştırma işlevini destekleyen bir Makita elektrikli süpürge gerekir.

**NOT:** Alet kaydına başlamadan önce kablosuz ünitesini alete takmayı bitirin.

**NOT:** Alet kaydı sırasında anahtar tetiği çekmeyin veya elektrikli süpürge üzerindeki güç düğmesini açmayın.

**NOT:** Elektrikli süpürge kullanma kılavuzuna da bakın.

Elektrikli süpürgeyi aletin anahtarla çalıştırılması ile birlikte çalıştırmak isterseniz önceden alet kaydını tamamlayın.

1. Elektrikli süpürge ve alete bataryaları takın.
2. Elektrikli süpürge üzerindeki bekleme düğmesini "AUTO" konumuna alın.  
► **Şek.49:** 1. Bekleme düğmesi

3. Kablosuz çalıştırma lambası yeşil yanıp sönene kadar elektrikli süpürge üzerindeki kablosuz çalıştırma düğmesine 3 saniye süreyle basın. Daha sonra aletin üzerindeki kablosuz çalıştırma düğmesine aynı şekilde basın.

- **Şek.50:** 1. Kablosuz çalıştırma düğmesi  
2. Kablosuz çalıştırma lambası

Elektrikli süpürge ve alet başarıyla birbirlerine bağlanırsa kablosuz çalıştırma lambaları 2 saniye süreyle yeşil yanar ve mavi yanıp sönmeye başlar.

**NOT:** Kablosuz çalıştırma lambaları 20 saniye geçtikten sonra yeşil yanıp sönmeyi keser. Süpürge üzerindeki kablosuz çalıştırma lambası yanıp sönen aletin üzerindeki kablosuz çalıştırma düğmesine basın. Kablosuz çalıştırma lambası yeşil yanıp sönmeyse kablosuz çalıştırma düğmesine kısa süreli basın ve tekrar basılı tutun.

**NOT:** Tek bir elektrikli süpürge için iki veya daha fazla alet kaydı yaparken alet kaydını birer birer tamamlayın.

## Kablosuz çalıştırma işlevinin başlatılması

**NOT:** Kablosuz çalıştırma öncesinde elektrikli süpürge için alet kaydını tamamlayın.

**NOT:** Elektrikli süpürge kullanma kılavuzuna da bakın.

Elektrikli süpürgeye bir aleti kaydettikten sonra elektrikli süpürge, aletin anahtarla çalıştırılması ile birlikte otomatik olarak çalışır.

1. Kablosuz ünitesini alete takın.
2. Elektrikli süpürge hortumunu alete bağlayın.  
► **Şek.51**

3. Elektrikli süpürge üzerindeki bekleme düğmesini "AUTO" konumuna alın.

- **Şek.52:** 1. Bekleme düğmesi

4. Aletin üzerindeki kablosuz çalıştırma düğmesine kısa süreyle basın. Kablosuz çalıştırma lambası mavi yanıp söner.

- **Şek.53:** 1. Kablosuz çalıştırma düğmesi  
2. Kablosuz çalıştırma lambası

5. Aleti açın. Alet çalışırken elektrikli süpürgeyi çalıştırdığını kontrol edin.

Elektrikli süpürgeyi kablosuz çalıştırılmasını durdurmak için alet üzerindeki kablosuz çalıştırma düğmesine basın.

**NOT:** Alet üzerindeki kablosuz çalıştırma lambası, 2 saat süreyle işlem yapılmazsa mavi yanıp sönmeyi keser. Bu durumda elektrikli süpürge üzerindeki bekleme düğmesini "AUTO" konumuna alın ve alet üzerindeki kablosuz çalıştırma düğmesine tekrar basın.

**NOT:** Elektrikli süpürge bir gecikmeyle başlar/durur. Elektrikli süpürge, aletin anahtarla çalıştırıldığını algıladığında bir gecikme söz konusu olur.










**NOT:** Kablosuz ünitesinin iletim mesafesi konum ve çevre şartlarına bağlı olarak değişebilir.

**NOT:** Tek bir elektrikli süpürgeye iki veya daha fazla alet kaydedildiğinde başka bir kullanıcı kablosuz çalıştırma işlevini kullandığından aletinizi açmasanız bile elektrikli süpürge çalışmaya başlayabilir.

## Kablosuz çalıştırma lambası durumunun açıklanması

### ► Şek.54: 1. Kablosuz çalıştırma lambası

Kablosuz çalıştırma lambası kablosuz çalıştırma işlevinin durumunu gösterir. Lamba durumunun anlamı için aşağıdaki tabloya bakın.

Durum	Kablosuz çalıştırma lambası				Açıklama
	Renk	 Kapalı	 Yanıp sönmüyor	Süre	
Beklemede	Mavi			2 saat	Elektrikli süpürge için kablosuz çalıştırılması kullanılabilir. 2 saat süreyle işlem yapılmazsa lamba otomatik olarak söner.
				Alet çalışırken.	Elektrikli süpürge için kablosuz çalıştırılması kullanılabilir ve alet çalışıyor.
Alet kaydı	Yeşil			20 saniye	Alet kaydı için hazır. Elektrikli süpürge tarafından alet kaydı bekleniyor.
				2 saniye	Alet kaydı tamamlandı. Kablosuz çalıştırma lambası mavi yanıp sönmeye başlar.
Alet kaydının iptal edilmesi	Kırmızı			20 saniye	Alet kaydının iptali için hazır. Elektrikli süpürge tarafından iptal bekleniyor.
				2 saniye	Alet kaydı iptali tamamlandı. Kablosuz çalıştırma lambası mavi yanıp sönmeye başlar.
Diğer	Kırmızı			3 saniye	Kablosuz ünitesine güç besleniyor ve kablosuz çalıştırma işlevi başlıyor.
			-	-	Elektrikli süpürge için kablosuz çalıştırılması durduruldu.

## Elektrikli süpürge için alet kaydının iptal edilmesi

Elektrikli süpürge için alet kaydını iptal ederken aşağıdaki prosedürü uygulayın.

1. Elektrikli süpürge ve alete bataryaları takın.
2. Elektrikli süpürge üzerindeki bekleme düğmesini "AUTO" konumuna alın.
- **Şek.55:** 1. Bekleme düğmesi
3. Elektrikli süpürge üzerindeki kablosuz çalıştırma düğmesine 6 saniye süreyle basın. Kablosuz çalıştırma lambası yeşil yanıp söner ve daha sonra kırmızı olur. Ondan sonra aletin üzerindeki kablosuz çalıştırma düğmesine aynı şekilde basın.

- **Şek.56:** 1. Kablosuz çalıştırma düğmesi
2. Kablosuz çalıştırma lambası

İptal başarıyla yapılırsa kablosuz çalıştırma lambaları 2 saniye süreyle kırmızı yanar ve mavi yanıp sönmeye başlar.

**NOT:** Kablosuz çalıştırma lambaları 20 saniye geçtikten sonra kırmızı yanıp sönmeyi keser. Süpürge üzerindeki kablosuz çalıştırma lambası yanıp sönerken aletin üzerindeki kablosuz çalıştırma düğmesine basın. Kablosuz çalıştırma lambası kırmızı yanıp sönmeye başlarsa kablosuz çalıştırma düğmesine kısa süreli basın ve tekrar basılı tutun.

## Kablosuz çalışma işlevi için sorun giderme

Onarım için servise gitmeden önce kontrolleri yapın. Kılavuzda açıklanmayan bir problemle karşılaşırsanız aleti demonte etmeyin. Bunun yerine, Makita Yetkili Servis Merkezlerine başvurun ve daima orijinal Makita yedek parçaları kullanın.

Anormal durum	Olası nedeni (arıza)	Çözümü
Kablosuz çalışma lambası yanmıyor/yanıp sönmüyor.	Kablosuz ünitesi alete takılmamış. Kablosuz ünitesi alete hatalı takılmış.	Kablosuz ünitesini doğru takın.
	Kablosuz ünitesinin terminali ve/veya yuva kirlidir.	Kablosuz ünitesinin terminalindeki tozu ve kiri hafifçe silin ve yuvayı temizleyin.
	Aletin üzerindeki kablosuz çalışma düğmesine basılmamış.	Aletin üzerindeki kablosuz çalışma düğmesine kısa süreyle basın.
	Elektrikli süpürge üzerindeki bekleme düğmesi "AUTO" konumuna alınmamış.	Elektrikli süpürge üzerindeki bekleme düğmesini "AUTO" konumuna alın.
	Güç beslemesi yok	Alete ve elektrikli süpürgeye güç besleyin.
Alet kaydı / alet kaydı iptali başarıyla tamamlanmıyor.	Kablosuz ünitesi alete takılmamış. Kablosuz ünitesi alete hatalı takılmış.	Kablosuz ünitesini doğru takın.
	Kablosuz ünitesinin terminali ve/veya yuva kirlidir.	Kablosuz ünitesinin terminalindeki tozu ve kiri hafifçe silin ve yuvayı temizleyin.
	Elektrikli süpürge üzerindeki bekleme düğmesi "AUTO" konumuna alınmamış.	Elektrikli süpürge üzerindeki bekleme düğmesini "AUTO" konumuna alın.
	Güç beslemesi yok	Alete ve elektrikli süpürgeye güç besleyin.
	Hatalı çalışma	Kablosuz çalışma düğmesine kısa süreyle basın ve alet kaydı/iptal prosedürlerini yeniden uygulayın.
	Alet ve elektrikli süpürge birbirlerinden uzakta (iletim aralığının dışında).	Aleti ve elektrikli süpürgeyi birbirlerine yaklaştırın. Maksimum iletim mesafesi yaklaşık 10 m'dir, ancak şartlara bağlı olarak değişebilir.
	Alet kaydını/iptalini tamamlamadan önce; - aletin anahtarları açılıyor veya; - elektrikli süpürge üzerindeki güç düğmesi açılıyor.	Kablosuz çalışma düğmesine kısa süreyle basın ve alet kaydı/iptal prosedürlerini yeniden uygulayın.
	Alet veya elektrikli süpürge için alet kaydı prosedürleri tamamlanmamış.	Alet ve elektrikli süpürge için alet kaydı prosedürlerini aynı zamanda uygulayın.
Elektrikli süpürge, aletin anahtarları çalıştırılması ile birlikte çalışmıyor.	Kablosuz ünitesi alete takılmamış. Kablosuz ünitesi alete hatalı takılmış.	Kablosuz ünitesini doğru takın.
	Kablosuz ünitesinin terminali ve/veya yuva kirlidir.	Kablosuz ünitesinin terminalindeki tozu ve kiri hafifçe silin ve yuvayı temizleyin.
	Aletin üzerindeki kablosuz çalışma düğmesine basılmamış.	Kablosuz çalışma düğmesine kısa süreli basın ve kablosuz çalışma lambasının mavi yanıp söndüğünü kontrol edin.
	Elektrikli süpürge üzerindeki bekleme düğmesi "AUTO" konumuna alınmamış.	Elektrikli süpürge üzerindeki bekleme düğmesini "AUTO" konumuna alın.
	Elektrikli süpürgeye 10'dan fazla alet kayıtlı.	Alet kaydını yeniden yapın. Elektrikli süpürgeye 10'dan fazla alet kayıtlı ise ilk önce kaydedilen alet otomatik olarak iptal edilir.
	Elektrikli süpürge tüm alet kayıtlarını silmiş.	Alet kaydını yeniden yapın.
	Güç beslemesi yok	Alete ve elektrikli süpürgeye güç besleyin.
	Alet ve elektrikli süpürge birbirlerinden uzakta (iletim aralığının dışında).	Aleti ve elektrikli süpürgeyi birbirlerine yaklaştırın. Maksimum iletim mesafesi yaklaşık 10 m'dir, ancak şartlara bağlı olarak değişebilir.
	Yüksek güçte radyo dalgaları üreten diğer cihazlardan radyo paraziti.	Aleti ve elektrikli süpürgeyi, Wi-Fi cihazları ve mikro-dalga fırınlar gibi cihazlardan uzak tutun.
Alet çalışmıyorken elektrikli süpürge çalışıyor.	Diğer kullanıcılar, elektrikli süpürge için kablosuz çalıştırılmasını kendi aletleriyle kullanıyor.	Diğer aletlerin kablosuz çalışma düğmesini kapatın veya diğer aletlerin alet kaydını iptal edin.

## BAKIM

**⚠ DİKKAT:** Muayene ya da bakım yapmadan önce aletin kapalı ve batarya kartuşunun çıkartılmış olduğundan daima emin olun.

**ÖNEMLİ NOT:** Benzin, tiner, alkol ve benzeri maddeleri kesinlikle kullanmayın. Renk değişimi, deformasyon veya çatlaklar oluşabilir.

Aleti EMNİYETLİ ve ÇALIŞMAYA HAZIR durumda tutmak için onarımlar, başka her türlü bakım ve ayarlamalar daima Makita yedek parçaları kullanılarak Makita yetkili servis merkezleri veya Fabrikanın Servis Merkezleri tarafından yapılmalıdır.

## Talaş boşaltma ağızlarının temizlenmesi

Talaş boşaltma ağızlarını düzenli olarak temizleyin. Tıkalı talaş boşaltma ağızlarını temizlemek için basınçlı hava kullanın.

## Bıçakların bilenmesi

### Sadece standart planya bıçakları için

En iyi performans için planya bıçaklarınızı daima keskin tutun. Planya bıçağı kenarlarını güvenli ve verimli bir şekilde bilemek için bileme yuvasını (isteğe bağlı aksesuar) kullanın.

► **Şek.57:** 1. Bileme yuvası 2. Bıçak

1. Bileme yuvasındaki iki kelebek somunu gevşetin.  
2. Bilenek kesici kenarları aşağı bakacak şekilde planya bıçaklarının arka uçlarını montaj yuvalarına sonuna kadar kaydırarak takın.

► **Şek.58:** 1. Bileme yuvası 2. Kelebek somun  
3. Bıçak 4. Kesici kenar 5. Montaj yuvaları  
6. Cıvata başı

3. Planya bıçaklarını yerine sabitlemek için kelebek somunları sıkın.

4. Bileme işlemine başlamadan önce bileme taşını 2 ila 3 dakika suda bekletin.

5. Bileme yuvasını sıkıca tutun ve kesici kenarları bileme taşının yüzeyine hafifçe yerleştirin.

6. Bileme yuvasını ileri geri hareket ettirerek kesici kenarları bileyin.

► **Şek.59**

## İSTEĞE BAĞLI AKSESUARLAR

**⚠ DİKKAT:** Bu aksesuarlar ve ek parçalar bu el kitabında belirtilen Makita aletiniz ile kullanılmak için tavsiye edilmektedir. Herhangi başka bir aksesuar ya da ek parça kullanılması insanlar için bir yaralanma riski getirebilir. Aksesuarları ya da ek parçaları yalnızca belirtilmiş olan kullanım amaçlarına uygun olarak kullanın.

Bu aksesuarlarla ilgili daha fazla bilgiye ihtiyaç duyarsanız yerel Makita servis merkezimize başvurun.

- Yüksek hızlı çelik planya bıçağı
- Tungsten karbür planya bıçağı (Uzun bıçak ömrü için)
- Mini planya bıçağı
- Bileme yuvası takımı
- Bıçak mastarı takımı
- Oturma levhası seti
- Kılavuz cetvel takımı
- Temizleme taşı
- Toz torbası takımı
- Dirsek
- Pah kırma cetvel takımı
- Kablosuz ünitesi
- Orijinal Makita batarya ve şarj aleti

**NOT:** Listedeki parçaların bazıları alet paketi içerisinde standart aksesuar olarak dahil edilmiş olabilir. Bunlar ülkeden ülkeye farklılık gösterebilir.





# Makita Europe N.V.

Jan-Baptist Vinkstraat 2, 3070 Kortenberg, Belgium

# Makita Corporation

3-11-8, Sumiyoshi-cho, Anjo, Aichi 446-8502 Japan

[www.makita.com](http://www.makita.com)



885951B993  
EN, FR, DE, IT, NL,  
ES, PT, DA, EL, TR  
20211101