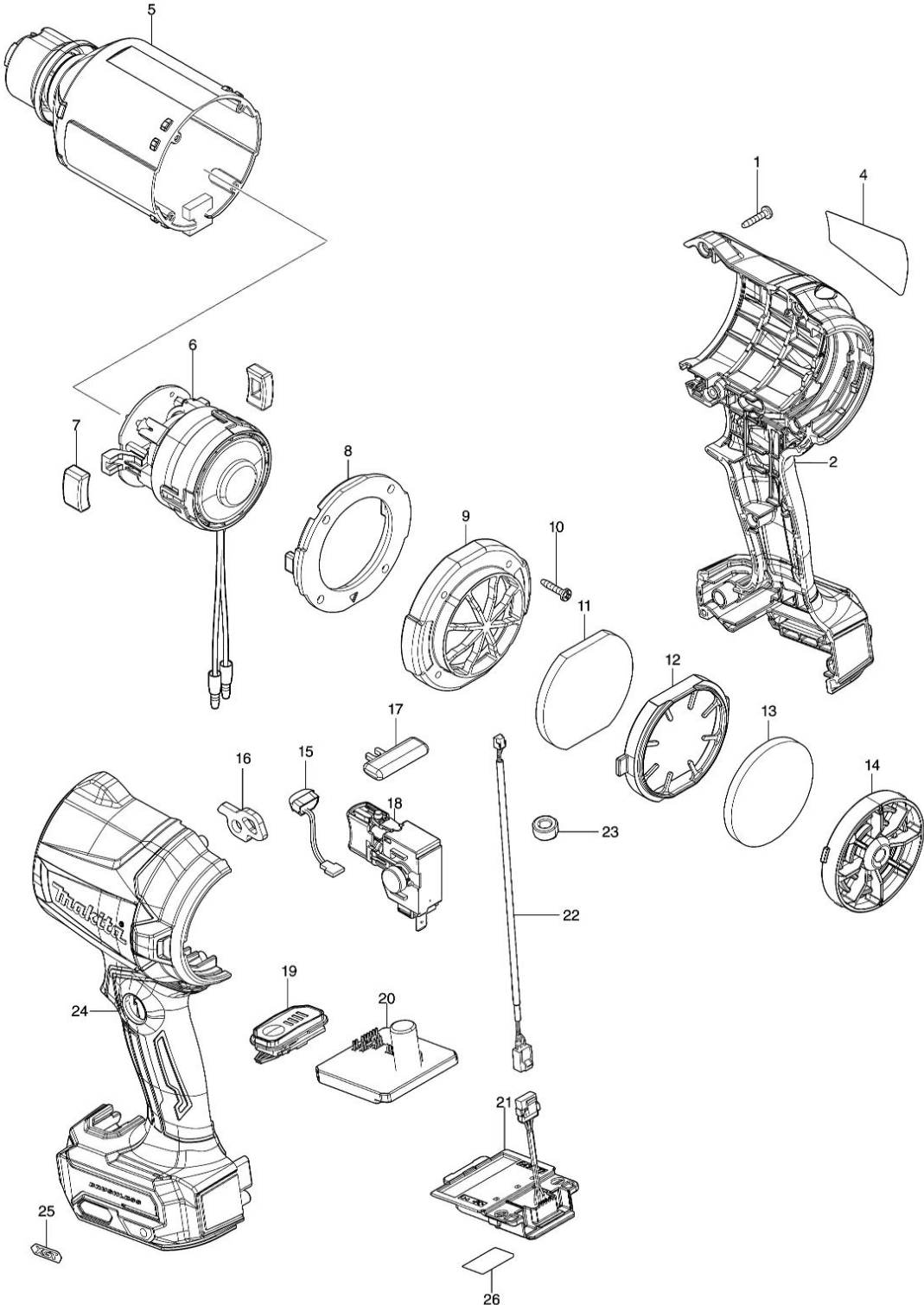


Partdrawing for AS001GZ - Blaas- en zuigmachine



Model No.AS001G CORDLESS DUST BLOWER



Nr.	Part nr.	Name
001	266130-9	Tapschroef 3X16 A
002	191X75-5	Motorhuis AS001G
002C10	263005-3	Rubber Pen 6 AC320H P
002C20	252126-6	Borgmoer M4X7Mm Mt070
002C30	8045T0-0	Label waarschuw AS001G
004	8114A9-6	Naamplaat AS001G
005	141K56-1	Motorhuis AS001G
005C10	422826-4	Sponsvel AS001G
006	629A91-4	Motor assy AS001G
007	422816-7	Motorkappakking AS001G
008	422817-5	Motorkap AS001G
009	413C47-7	Achterkap AS001G
010	266130-9	Tapschroef 3X16 A
011	422824-8	Filter A
012	413C49-3	Filterhouder AS001G
013	422825-6	Filter B
014	141G57-5	Stofkap AS001G
014C10	263032-0	Rubber Pen 4 Btd130F
015	620521-2	Led-Circuit Dtd170
016	347914-5	Bandring AS001G
017	412697-7	A/U knop DVP300/301
018	650019-5	Schakelaar AS001G
019	620G89-0	Circuit Indicatie AS001G
019C10	687E52-4	Schakelplaat AS001G
019C20	266490-9	Parker Ck 2X6Mm DDF483 P
020	620G88-2	Controller AS001G
021	632R99-1	Aansluitunit DF002G
022	638A30-3	Kabelboom AS001G
023	688131-1	Lijn Filter Hm1810
024	191X75-5	Motorhuis AS001G
024C10	263005-3	Rubber Pen 6 AC320H P
024C20	252126-6	Borgmoer M4X7Mm Mt070
024C30	8045T0-0	Label waarschuw AS001G
025	8007R2-2	Label XGT logo
026	8114B6-9	Label serienr AS001G