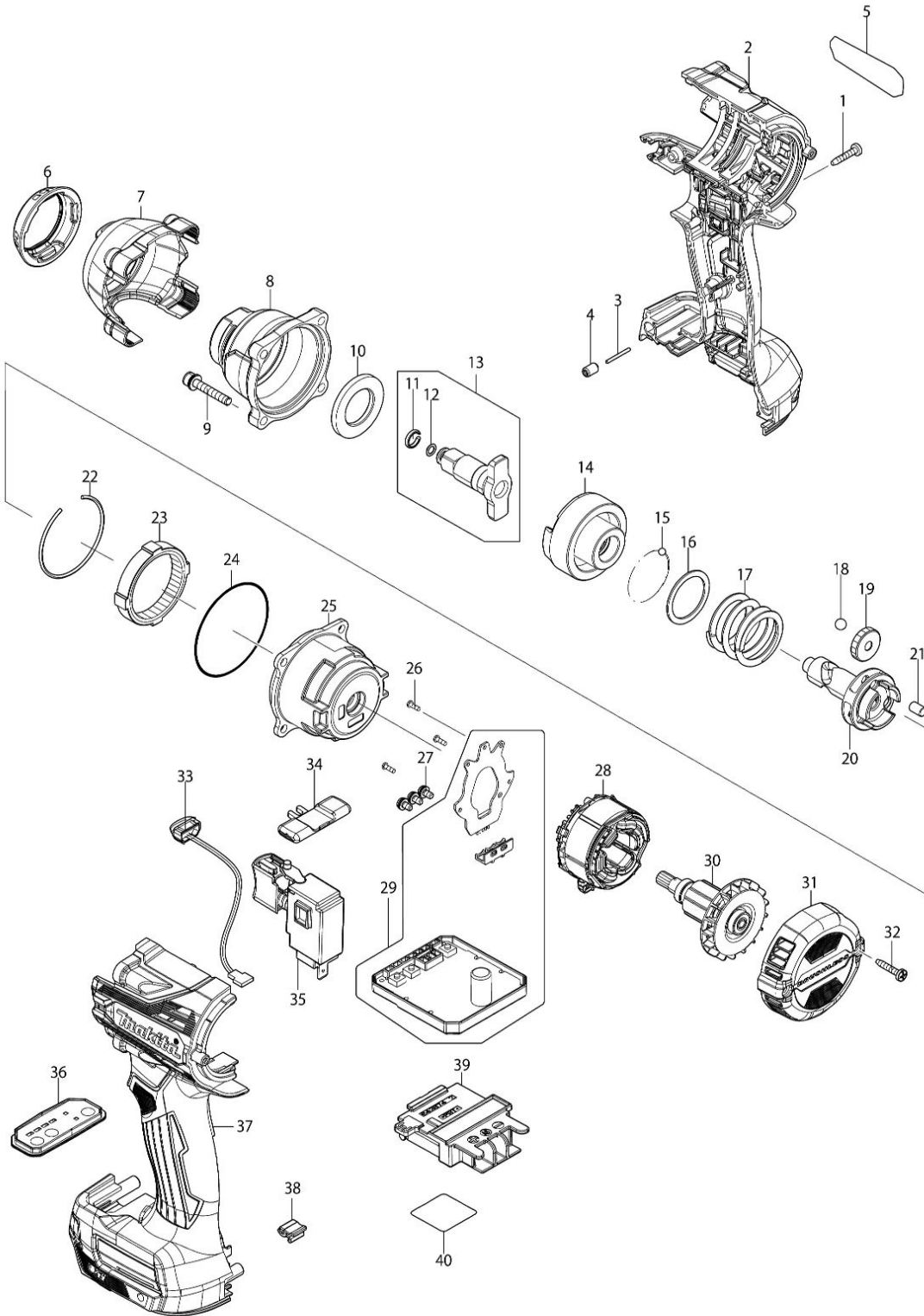


# Partdrawing for DTW302ZJ - Slagmoersleutel



Model No.DTW302 CORDLESS IMPACT WRENCH



Nr.	Part nr.	Name
001	266130-9	Tapschroef 3X16 A
002	183P27-2	Motorhuisset DTW300/301
002	252126-6	Borgmoer M4X7Mm Mt070
002C10	263005-3	Rubber Pen 6 AC320H P
003	268284-8	Pen 1,5 Tw100D
004	263036-2	Rubber Pen 5 Btw251
005	811V29-1	Naamplaat DTW302
006	422584-2	Stootring DTW300
007	412556-5	Slaghuiskap DTW300/301
008	141E94-7	Tandwielhuis DTW302
009	265472-8	Inbusschroef M4x25mm DTW301
010	261171-0	Nylon Ring DTW302
011	233943-3	Borgring 8 DTW180
012	213960-9	O-RING 5 9554NB/GA40/5030 P
013	136510-2	Aambeeld DTW302
014	327892-5	Slagstuk DTW302
015	216001-0	Kogel 3,5mm P
016	267175-0	Platte Ring 24 Btd132
017	234322-8	Drukveer 25 Dtw280
018	216011-7	STALEN KOGEL 5.6 P
019	227338-0	Tandwiel 22 Dtw280
020	327573-1	As DTW300/301
021	268311-1	Pen 5 Dtw280
022	233910-8	Veerring 43 6953
023	227337-2	Tandwiel 51 Dtw280
024	213785-1	O-Ring 49
025	140T37-6	Tandwielhuis DTW300/301
026	266490-9	Parker Ck 2X6Mm DDF483 P
027	652069-6	Kruiskop Schroef M3X6
028	629477-6	Veld DTW300/301
028-1	629A98-0	Veld DTW302
029	620C64-2	Circuit DTW300/301
030	619626-3	Anker DTW300/301
031	412555-7	Achterdekseel DTW300/301
032	266130-9	Tapschroef 3X16 A
033	620521-2	Led-Circuit Dtd170
034	455053-8	Schakelknop Re Li Dtd137 148
035	651443-5	Schakelaar C3JR-4B DF001G
036	140T43-1	Schakelplaat DTW300/301
036C10	8012S9-8	Label A/U DTW301
037	183P27-2	Motorhuisset DTW300/301
037C10	263005-3	Rubber Pen 6 AC320H P
038	424517-3	Bescherming Bdf459
039	643874-2	Aansluitunit Dhp483
040	811V33-0	Label ser.nr. DTW302