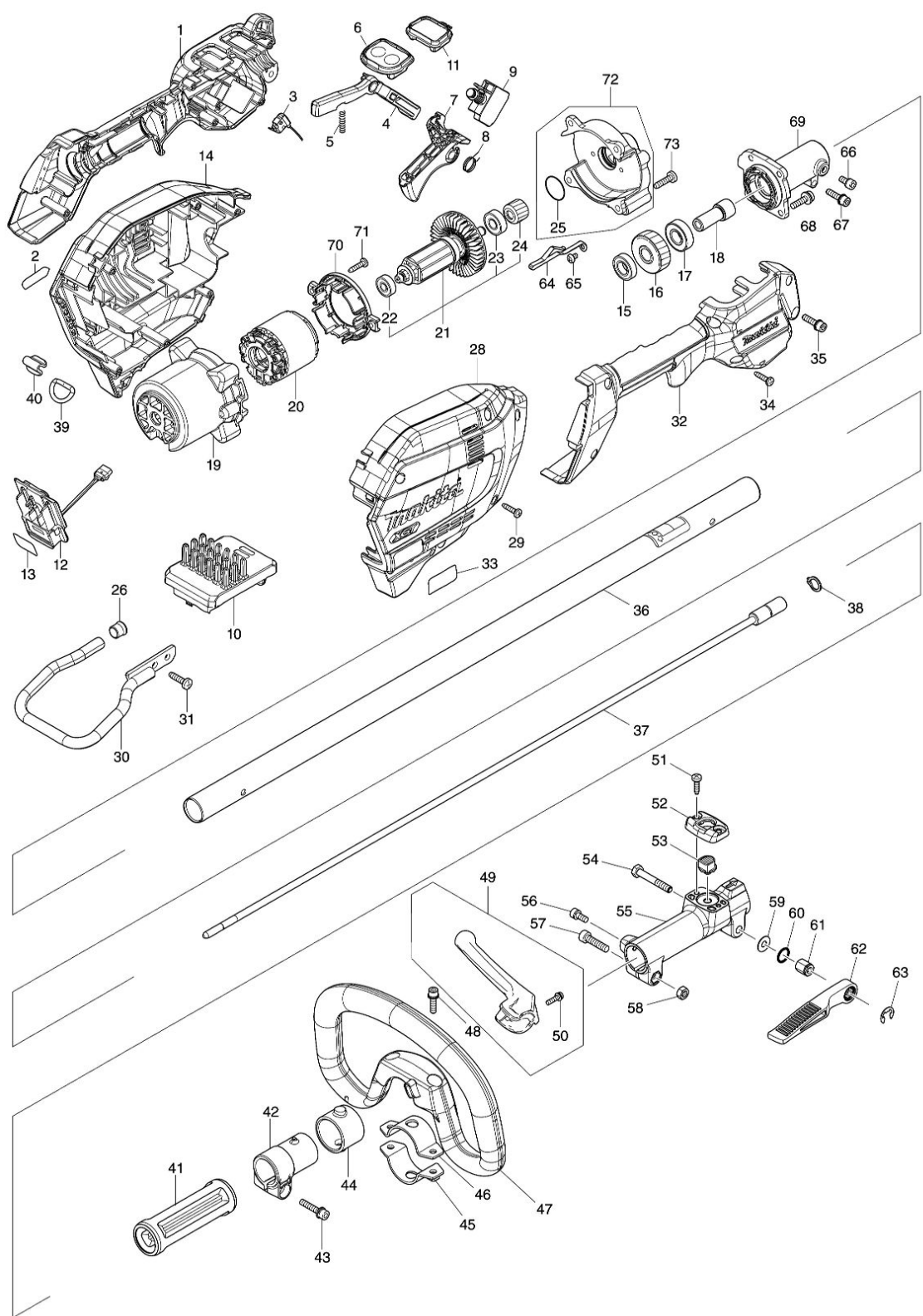


Model No.UX01G CRDLSS MULTI FNCTN POWER HEAD



Partdrawing for UX01GZ01 - Combisysteem



Nr. Part nr. Name