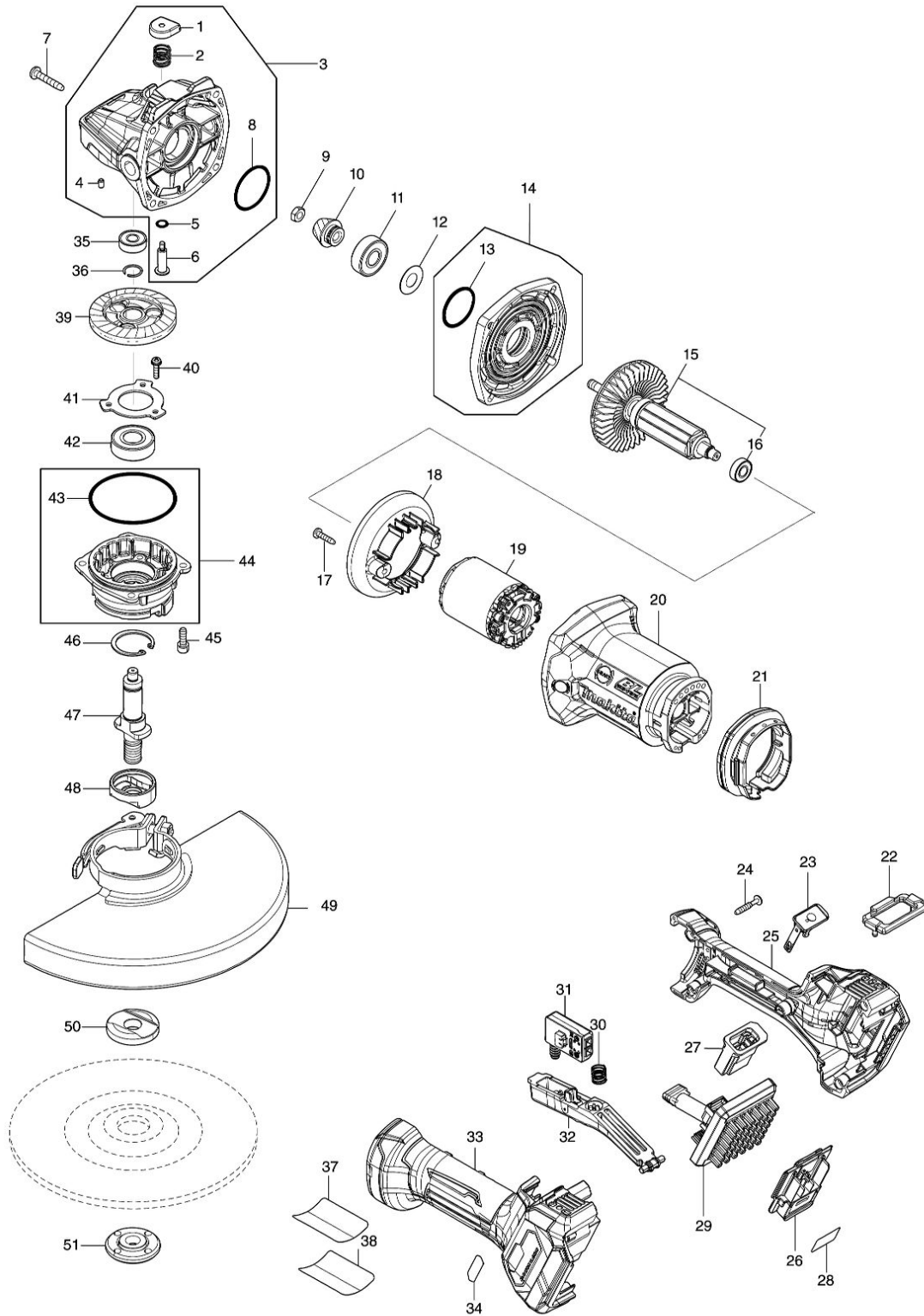


Partdrawing for GA038GZ04 - Haakse slijper



Model No.GA038G 230MM CORDLESS ANGLE GRINDER



Partdrawing for GA038GZ04 - Haakse slijper



Nr. Part nr. Name