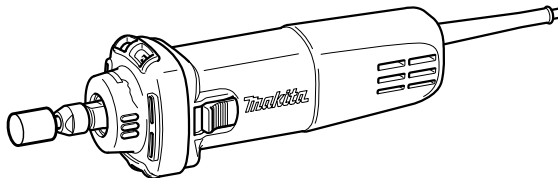




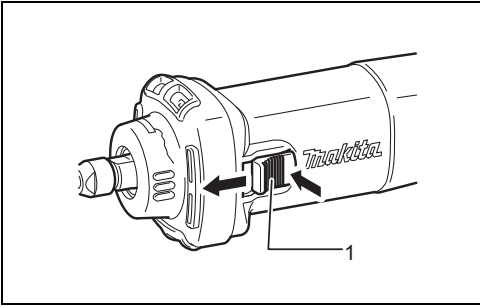
<b>GB</b>	<b>Die Grinder</b>	<b>Instruction manual</b>
<b>F</b>	<b>Meuleuse droite</b>	<b>Manuel d'instructions</b>
<b>D</b>	<b>Geradschleifer</b>	<b>Betriebsanleitung</b>
<b>I</b>	<b>Smerigliatrice diritta</b>	<b>Istruzioni per l'uso</b>
<b>NL</b>	<b>Stempelslijpmachine</b>	<b>Gebruiksaanwijzing</b>
<b>E</b>	<b>Amoladora recta</b>	<b>Manual de instrucciones</b>
<b>P</b>	<b>Rectificadora recta</b>	<b>Manual de instruções</b>
<b>DK</b>	<b>Ligesliber</b>	<b>Brugsanvisning</b>
<b>GR</b>	<b>Ευθυλειαντήρας</b>	<b>Οδηγίες χρήσης</b>

**GD0602**



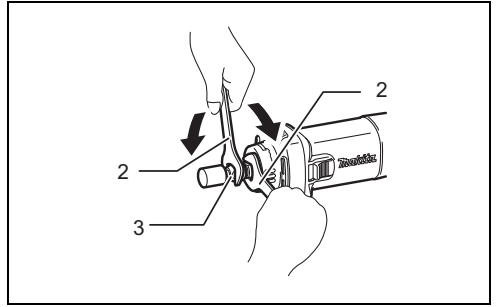
009306





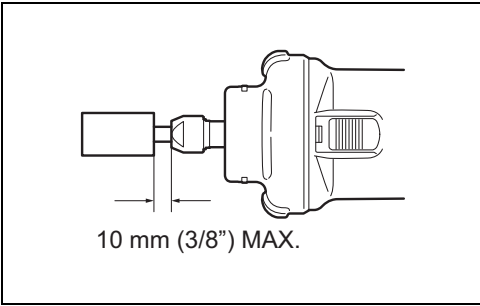
**1**

009307



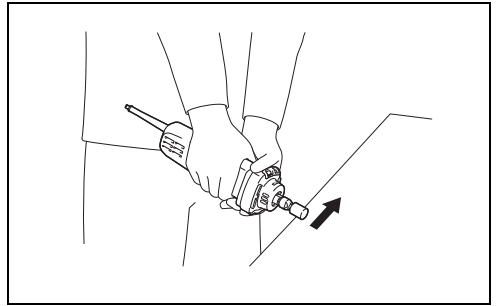
**2**

009308



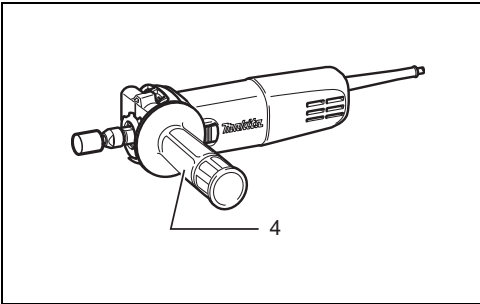
**3**

015679



**4**

1049101



**5**

009311

## ENGLISH (Original instructions)

### Explanation of general view

1. Slide switch
2. Wrench 13
3. Collet nut
4. Side handle

## SPECIFICATIONS

Model		GD0602
Max. collet capacity		8 mm
Wheel Point	Max. wheel diameter	38 mm
	Max. mandrel (shank) length	46 mm
Rated speed (n)/No load speed (n <sub>0</sub> )		25,000 min <sup>-1</sup>
Overall length		264 mm
Net weight		1.4 kg
Safety class		□/II


- Due to our continuing program of research and development, the specifications herein are subject to change without notice.
- Specifications may differ from country to country.
- Weight according to EPTA-Procedure 01/2003

**Intended use** ENE050-1  
The tool is intended for grinding ferrous materials or deburring castings.

**Power supply** ENF002-2  
The tool should be connected only to a power supply of the same voltage as indicated on the nameplate, and can only be operated on single-phase AC supply. They are double-insulated and can, therefore, also be used from sockets without earth wire.

## General Power Tool Safety Warnings

GEA010-1

 **WARNING** Read all safety warnings and all instructions. Failure to follow the warnings and instructions may result in electric shock, fire and/or serious injury.

**Save all warnings and instructions for future reference.**

## DIE GRINDER SAFETY WARNINGS

GEB034-9

**Safety Warnings Common for Grinding Operation:**

1. **This power tool is intended to function as a grinder. Read all safety warnings, instructions, illustrations and specifications provided with this power tool.** Failure to follow all instructions listed below may result in electric shock, fire and/or serious injury.
2. **Operations such as sanding, wire brushing, polishing or cutting-off are not recommended to be performed with this power tool.** Operations for which the power tool was not designed may create a hazard and cause personal injury.
3. **Do not use accessories which are not specifically designed and recommended by the tool manufacturer.** Just because the accessory can be attached to your power tool, it does not assure safe operation.
4. **The rated speed of the accessory must be at least equal to the maximum speed marked on the power tool.** Accessories running faster than their rated speed can break and fly apart.
5. **The outside diameter and the thickness of your accessory must be within the capacity rating of your power tool.** Incorrectly sized accessories cannot be adequately controlled.
6. **The arbour size of accessories must properly fit the collet of the power tool.** Accessories that do not match the mounting hardware of the power tool will run out of balance, vibrate excessively and may cause loss of control.
7. **Mandrel mounted accessories must be fully inserted into the collet or chuck.** If the mandrel is insufficiently held and/or the overhang of the wheel is too long, the mounted accessory may become loose and be ejected at high velocity.
8. **Do not use a damaged accessory. Before each use inspect the accessory such as abrasive wheels for chips and cracks. If power tool or accessory is dropped, inspect for damage or install an undamaged accessory. After inspecting and installing an accessory, position yourself and bystanders away from the plane of the rotating accessory and run the power tool at maximum no-load speed for one minute.** Damaged accessories will normally break apart during this test time.
9. **Wear personal protective equipment. Depending on application, use face shield, safety goggles or safety glasses. As appropriate, wear dust mask, hearing protectors, gloves and workshop apron capable of stopping small abrasive or workpiece fragments.** The eye protection must be capable of stopping flying debris generated by various operations. The dust mask or respirator must be capable of filtering particles generated by your

operation. Prolonged exposure to high intensity noise may cause hearing loss.

10. **Keep bystanders a safe distance away from work area. Anyone entering the work area must wear personal protective equipment.** Fragments of workpiece or of a broken accessory may fly away and cause injury beyond immediate area of operation.
11. **Hold power tool by insulated gripping surfaces only, when performing an operation where the cutting accessory may contact hidden wiring or its own cord.** Cutting accessory contacting a "live" wire may make exposed metal parts of the power tool "live" and could give the operator an electric shock.
12. **Always hold the tool firmly in your hand(s) during the start-up.** The reaction torque of the motor, as it accelerates to full speed, can cause the tool to twist.
13. **Use clamps to support workpiece whenever practical. Never hold a small workpiece in one hand and the tool in the other hand while in use.** Clamping a small workpiece allows you to use your hand(s) to control the tool. Round material such as dowel rods, pipes or tubing have a tendency to roll while being cut, and may cause the bit to bind or jump toward you.
14. **Position the cord clear of the spinning accessory.** If you lose control, the cord may be cut or snagged and your hand or arm may be pulled into the spinning accessory.
15. **Never lay the power tool down until the accessory has come to a complete stop.** The spinning accessory may grab the surface and pull the power tool out of your control.
16. **After changing the bits or making any adjustments, make sure the collet nut, chuck or any other adjustment devices are securely tightened.** Loose adjustment devices can unexpectedly shift, causing loss of control, loose rotating components will be violently thrown.
17. **Do not run the power tool while carrying it at your side.** Accidental contact with the spinning accessory could snag your clothing, pulling the accessory into your body.
18. **Regularly clean the power tool's air vents.** The motor's fan will draw the dust inside the housing and excessive accumulation of powdered metal may cause electrical hazards.
19. **Do not operate the power tool near flammable materials.** Sparks could ignite these materials.
20. **Do not use accessories that require liquid coolants.** Using water or other liquid coolants may result in electrocution or shock.

### Kickback and Related Warnings

Kickback is a sudden reaction to a pinched or snagged rotating accessory. Pinching or snagging causes rapid stalling of the rotating accessory which in turn causes the uncontrolled power tool to be forced in the direction opposite of the accessory's rotation.

For example, if an abrasive wheel is snagged or pinched by the workpiece, the edge of the wheel that is entering into the pinch point can dig into the surface of the material causing the wheel to climb out or kick out. The wheel may either jump toward or away from the operator, depending on direction of the wheel's movement at the point of

pinching. Abrasive wheels may also break under these conditions.

Kickback is the result of power tool misuse and/or incorrect operating procedures or conditions and can be avoided by taking proper precautions as given below.

- a) **Maintain a firm grip on the power tool and position your body and arm to allow you to resist kickback forces.** The operator can control kickback forces, if proper precautions are taken.
- b) **Use special care when working corners, sharp edges etc. Avoid bouncing and snagging the accessory.** Corners, sharp edges or bouncing have a tendency to snag the rotating accessory and cause loss of control or kickback.
- c) **Do not attach a toothed saw blade.** Such blades create frequent kickback and loss of control.
- d) **Always feed the bit into the material in the same direction as the cutting edge is exiting from the material (which is the same direction as the chips are thrown).** Feeding the tool in the wrong direction causes the cutting edge of the bit to climb out of the work and pull the tool in the direction of this feed.

### Safety Warnings Specific for Grinding:

- a) **Use only wheel types that are recommended for your power tool and only for recommended applications.**
- b) **Do not position your hand in line with and behind the rotating wheel.** When the wheel, at the point of operation, is moving away from your hand, the possible kickback may propel the spinning wheel and the power tool directly at you.

### Additional Safety Warnings:

21. **The tool is intended for use with bonded abrasive wheel points (grinding stones) permanently mounted on plain, unthreaded mandrel (shanks).**
22. **Make sure the wheel is not contacting the workpiece before the switch is turned on.**
23. **Before using the tool on an actual workpiece, let it run for a while. Watch for vibration or wobbling that could indicate poor installation or a poorly balanced wheel.**
24. **Use the specified surface of the wheel to perform the grinding.**
25. **Watch out for flying sparks. Hold the tool so that sparks fly away from you and other persons or flammable materials.**
26. **Do not leave the tool running. Operate the tool only when hand-held.**
27. **Do not touch the workpiece immediately after operation; it may be extremely hot and could burn your skin.**
28. **Observe the instructions of the manufacturer for correct mounting and use of wheels. Handle and store wheels with care.**
29. **Check that the workpiece is properly supported.**
30. **If working place is extremely hot and humid, or badly polluted by conductive dust, use a short-circuit breaker (30 mA) to assure operator safety.**
31. **Do not use the tool on any materials containing asbestos.**

32. Always be sure you have a firm footing. Be sure no one is below when using the tool in high locations.

## SAVE THESE INSTRUCTIONS.

### WARNING:

DO NOT let comfort or familiarity with product (gained from repeated use) replace strict adherence to safety rules for the subject product. MISUSE or failure to follow the safety rules stated in this instruction manual may cause serious personal injury.

## FUNCTIONAL DESCRIPTION

### CAUTION:

- Always be sure that the tool is switched off and unplugged before adjusting or checking function on the tool.

### Switch action (Fig. 1)

### CAUTION:

- Before plugging in the tool, always check to see that the slide switch actuates properly and returns to the "OFF" position when the rear of the slide switch is depressed.

To start the tool, slide the slide switch toward the "I (ON)" position. For continuous operation, press the front of the slide switch to lock it.

To stop the tool, press the rear of the slide switch, then slide it toward the "O (OFF)" position.

## ASSEMBLY

### CAUTION:

- Always be sure that the tool is switched off and unplugged before carrying out any work on the tool.

### Installing or removing wheel point (Fig. 2)

Loosen the collet nut and insert the wheel point into the collet nut. Use one wrench to hold the spindle and the other one to tighten the collet nut securely.

The wheel point should not be mounted more than 10 mm from the collet nut. Exceeding this distance could cause vibration or a broken shaft. (Fig. 3)

To remove the wheel point, follow the installation procedure in reverse.

### CAUTION:

- Use the correct size collet cone for the wheel point which you intend to use.

## OPERATION (Fig. 4)

Turn the tool on without the wheel point making any contact with the workpiece and wait until the wheel point attains full speed. Then apply the wheel point to the workpiece gently. To obtain a good finish, move the tool in the leftward direction slowly.

### CAUTION:

- Apply light pressure on the tool. Excessive pressure on the tool will only cause a poor finish and overloading of the motor.

## MAINTENANCE

### CAUTION:

- Always be sure that the tool is switched off and unplugged before attempting to perform inspection or maintenance.
  - Never use gasoline, benzine, thinner, alcohol or the like. Discoloration, deformation or cracks may result.
- To maintain product SAFETY and RELIABILITY, repairs, carbon brush inspection and replacement, any other maintenance or adjustment should be performed by Makita Authorized Service Centers, always using Makita replacement parts.

## OPTIONAL ACCESSORIES

### CAUTION:

- These accessories or attachments are recommended for use with your Makita tool specified in this manual. The use of any other accessories or attachments might present a risk of injury to persons. Only use accessory or attachment for its stated purpose.

If you need any assistance for more details regarding these accessories, ask your local Makita Service Center.

- Wheel points
- Collet cone set (3 mm, 6 mm, 8 mm, 1/4", 1/8")
- Wrench 13
- Side handle set

### Side handle (Fig. 5)

When using the side handle, remove the rubber protector, insert the side handle on the tool barrel as far as it will go and rotate it to the desired angle. Then tighten the handle firmly by turning clockwise.

### CAUTION:

- When using the tool without handle, always install the rubber protector on the tool.
- When installing the rubber protector, always push it onto the tool until the protrusion inside the rubber fits to the grooves in the tool.

### NOTE:

- Some items in the list may be included in the tool package as standard accessories. They may differ from country to country.

### Noise

ENG905-1

The typical A-weighted noise level determined according to EN60745:

Sound pressure level ( $L_{pA}$ ): 76 dB (A)

Uncertainty (K): 3 dB (A)

The noise level under working may exceed 80 dB (A).

**Wear ear protection.**

### Vibration

ENG900-1

The vibration total value (tri-axial vector sum) determined according to EN60745:

Work mode: surface grinding

Vibration emission ( $a_{h,SG}$ ): 2.5 m/s<sup>2</sup>

Uncertainty (K): 1.5 m/s<sup>2</sup>

ENG902-1

- The declared vibration emission value has been measured in accordance with the standard test method and may be used for comparing one tool with another.

- The declared vibration emission value may also be used in a preliminary assessment of exposure.
- The declared vibration emission value is used for main applications of the power tool. However if the power tool is used for other applications, the vibration emission value may be different.



**WARNING:**

- The vibration emission during actual use of the power tool can differ from the declared emission value depending on the ways in which the tool is used.
- Be sure to identify safety measures to protect the operator that are based on an estimation of exposure in the actual conditions of use (taking account of all parts of the operating cycle such as the times when the tool is switched off and when it is running idle in addition to the trigger time).

**EC Declaration of Conformity**

***For European countries only***

The EC declaration of conformity is included as Annex A to this instruction manual.

- |                             |                     |
|-----------------------------|---------------------|
| 1. Interrupteur à glissière | 3. Écrou de mandrin |
| 2. Clé 13                   | 4. Manche latéral   |

## SPÉCIFICATIONS

Modèle		GD0602
Capacité de mandrin max.		8 mm
Meule sur tige	Diamètre max. de la meule	38 mm
	Longueur max. du mandrin (tige)	46 mm
Vitesse nominale (n)/Vitesse à vide (n <sub>0</sub> )		25 000 min <sup>-1</sup>
Longueur totale		264 mm
Poids net		1,4 kg
Niveau de sécurité		□/II

- Étant donné l'évolution constante de notre programme de recherche et de développement, les spécifications contenues dans ce manuel sont sujettes à des modifications sans préavis.
- Les spécifications peuvent varier suivant les pays.
- Poids conforme à la procédure EPTA 01/2003

### Utilisations

ENE050-1

L'outil est conçu pour le meulage des matériaux ferreux ou l'ébavurage des pièces moulées.

### Alimentation

ENF002-2

L'outil ne doit être raccordé qu'à une alimentation de la même tension que celle qui figure sur la plaque signalétique, et il ne peut fonctionner que sur un courant secteur monophasé. Réalisé avec une double isolation, il peut de ce fait être alimenté sans mise à la terre.

## Consignes de sécurité générales des outils électriques

GEA010-1

**⚠ AVERTISSEMENT** Veuillez lire toutes les consignes de sécurité et les instructions. Il y a un risque de choc électrique, d'incendie et/ou de blessure grave si les consignes et les instructions ne sont pas toutes respectées.

## Conservez toutes les consignes et instructions pour référence ultérieure.

## CONSIGNES DE SÉCURITÉ RELATIVES À LA MEULEUSE DROITE

GEB034-9

Consignes de sécurité courantes pour l'opération de meulage :

1. **Cet outil électrique est conçu pour fonctionner comme une meuleuse. Lisez tous les avertissements concernant la sécurité, les instructions, les illustrations et les caractéristiques fournis avec cet outil électrique.** Il y a un risque d'électrocution, d'incendie et/ou de blessures graves si les instructions énumérées ci-dessous ne sont pas respectées.
2. **Les opérations comme le ponçage, le brossage à brosse métallique, le polissage ou le tronçonnage sont déconseillées avec cet outil électrique.** Les opérations pour lesquelles l'outil électrique n'a pas été conçu peuvent générer un danger et occasionner des blessures.
3. **N'utilisez pas d'accessoires qui ne sont pas spécifiquement conçus et recommandés par le fabricant de l'outil.** Le simple fait que l'accessoire puisse être fixé à votre outil électrique ne signifie pas que le fonctionnement sera sécurisé.
4. **La vitesse nominale de l'accessoire doit être au moins égale à la vitesse maximale indiquée sur l'outil électrique.** Les accessoires fonctionnant plus rapidement que leur vitesse nominale risquent de se casser et de voler en éclats.
5. **Le diamètre externe et l'épaisseur de votre accessoire doivent correspondre à la puissance nominale de votre outil électrique.** Des accessoires aux dimensions inappropriées ne peuvent pas être contrôlés correctement.
6. **La taille de l'axe des accessoires doit s'adapter correctement au mandrin de l'outil électrique.** Les accessoires qui ne correspondent pas au matériel de montage de l'outil électrique seront déséquilibrés, subiront des vibrations excessives et pourront entraîner une perte de contrôle.
7. **Les accessoires montés sur le mandrin doivent être insérés à fond dans le mandrin ou le mors du mandrin.** Si le mandrin n'est pas maintenu suffisamment et/ou si le porte-à-faux de la meule est trop long, l'accessoire monté risque de se desserrer et d'être éjecté en cas de vitesse élevée.
8. **N'utilisez pas d'accessoire endommagé. Avant chaque utilisation, vérifiez que les accessoires tels que les meules ne sont pas burinés ou fissurés. En cas de chute de l'outil électrique ou d'un accessoire, assurez-vous qu'il n'est pas endommagé et remplacez-le au besoin par un accessoire en bon état. Après avoir inspecté et**

**installé un accessoire, positionnez-vous ainsi que les spectateurs à distance de l'accessoire en rotation et faites fonctionner l'outil électrique à la vitesse maximale à vide pendant une minute.**

Normalement, tout accessoire endommagé se brisera au cours de ce temps d'essai.

9. **Portez un équipement de protection corporelle. En fonction du type de travail à effectuer, utilisez un écran facial, des lunettes étanches ou des lunettes de protection. Au besoin, portez un masque anti-poussières, des protège-tympans, des gants et un tablier d'atelier capable d'arrêter les petits fragments abrasifs ou des morceaux de la pièce à travailler.** La protection pour les yeux doit pouvoir stopper les projections de débris générées par diverses opérations. Le masque anti-poussières ou le masque filtrant doit pouvoir filtrer les particules générées lors des travaux. L'exposition prolongée à un bruit d'intensité élevée peut entraîner la surdité.
10. **Maintenez les spectateurs à une distance de sécurité de la zone de travail. Quiconque pénètre dans la zone de travail doit porter un équipement de protection corporelle.** Des fragments de la pièce à travailler ou d'un accessoire cassé peuvent être projetés hors de la zone de travail immédiate et entraîner des blessures.
11. **Ne tenez l'outil électrique que par ses surfaces de poigne isolées lorsque vous effectuez une opération au cours de laquelle l'accessoire de coupe peut entrer en contact avec des fils dissimulés ou avec le cordon de l'outil.** Il est possible que le contact avec un fil sous tension mette les parties métalliques exposées de l'outil sous tension, risquant ainsi de provoquer un choc électrique chez l'utilisateur.
12. **Tenez toujours fermement l'outil dans vos mains au démarrage.** À pleine vitesse, le couple de réaction du moteur risque de faire pivoter l'outil.
13. **Au besoin, utilisez des colliers de serrage pour soutenir la pièce à travailler. Ne tenez jamais une petite pièce à travailler dans une main et l'outil dans l'autre main pendant le fonctionnement de l'outil.** En fixant les petites pièces à travailler, vous pouvez contrôler l'outil à l'aide de vos mains. Lorsque vous coupez les matériaux de forme arrondie, tels que les goupilles, tuyaux ou tubes, ils ont tendance à rouler et à projeter la mèche vers vous.
14. **Éloignez le cordon de l'accessoire rotatif.** En cas de perte de contrôle, le cordon risque d'être coupé ou accroché et votre main ou votre bras happé(e) par l'accessoire rotatif.
15. **Ne posez jamais l'outil électrique à terre tant que l'accessoire ne s'est pas complètement arrêté.** L'accessoire rotatif peut accrocher la surface et vous risquez de perdre le contrôle de l'outil électrique.
16. **Après avoir remplacé les mèches ou effectué des réglages, assurez-vous que l'écran de mandrin, le mandrin ou tout autre dispositif de réglage est bien serré.** Une mauvaise fixation des dispositifs de réglage peut entraîner leur déviation soudaine et provoquer une perte de contrôle ainsi que l'éjection violente des composants rotatifs desserrés.
17. **Ne faites pas tourner l'outil électrique si vous le transportez à côté de vous.** Un contact accidentel

avec l'accessoire rotatif pourrait accrocher vos vêtements et attirer l'accessoire vers votre corps.

18. **Nettoyez régulièrement les aérations de l'outil électrique.** Le ventilateur du moteur tire la poussière à l'intérieur du boîtier et une accumulation excessive de poudre métallique peut entraîner des chocs électriques.
19. **Ne faites pas fonctionner l'outil électrique à proximité de matériaux inflammables.** Les étincelles risquent d'enflammer ces matériaux.
20. **N'utilisez pas d'accessoires qui nécessitent des liquides de refroidissement.** L'utilisation d'eau ou de liquides de refroidissement peut entraîner une électrocution ou un choc électrique.

### **Rebond et avertissements afférents**

Le rebond est une réaction soudaine à un accessoire en rotation qui est pincé ou accroché. Un pincement ou un accrochage peut entraîner le calage rapide de l'accessoire rotatif, forçant alors l'outil électrique hors de contrôle à tourner dans la direction opposée au sens de rotation de l'accessoire.

Par exemple, si une meule est accrochée ou pincée par la pièce à travailler, le rebord de la meule qui pénètre dans le point de pincement risque de creuser dans la surface du matériau, ce qui peut faire sortir la meule. La meule risque de sauter en direction de l'opérateur ou dans la direction opposée, en fonction du sens de rotation de la meule au niveau du point de pincement. Les meules peuvent également se casser dans ces conditions. Le rebond est dû à une mauvaise utilisation de l'outil et/ou à des procédures ou conditions de travail inappropriées. Il peut être évité en prenant les mesures appropriées, telles que celles indiquées ci-dessous.

- a) **Maintenez une poigne ferme sur l'outil électrique et positionnez votre corps et vos bras de façon à pouvoir résister aux forces du rebond.** Vous pouvez contrôler les forces du rebond si vous prenez les précautions nécessaires.
- b) **Soyez particulièrement prudent lorsque vous travaillez dans des recoins, sur des rebords tranchants, etc. Évitez de faire rebondir ou d'accrocher l'accessoire.** Les recoins, les rebords tranchants ou les rebonds ont tendance à accrocher l'accessoire rotatif et à provoquer une perte de contrôle ou un rebond.
- c) **Ne fixez pas de lame de scie dentée.** De telles lames peuvent créer de fréquents rebonds et pertes de contrôle.
- d) **Insérez toujours la mèche dans le matériau dans le sens de sortie du rebord de coupe du matériau (c'est-à-dire dans le sens d'éjection des copeaux).** Si vous insérez l'outil dans le mauvais sens, le rebord de coupe de la mèche sortira de la pièce à travailler et l'outil sera entraîné dans ce sens.

### **Consignes de sécurité spécifiques au meulage :**

- a) **N'utilisez que les types de meules qui sont recommandés pour votre outil électrique et uniquement pour les applications recommandées.**
- b) **Ne positionnez pas votre main en ligne avec et derrière la meule en mouvement.** Lorsque la meule en fonctionnement s'écarte de votre main, le rebond



éventuel peut propulser la meule en rotation et l'outil électrique directement sur vous.

#### Autres avertissements de sécurité :

21. **Cet outil est destiné à être utilisé avec des meules sur tige pour abrasifs agglomérés, fixées en permanence sur un mandrin lisse non fileté (tiges).**
22. **Assurez-vous que la meule n'entre pas en contact avec la pièce à travailler avant de mettre l'outil sous tension.**
23. **Avant d'utiliser l'outil sur la pièce elle-même, laissez-le tourner un instant. Soyez attentif à toute vibration ou sautellement pouvant indiquer que la meule n'est pas bien installée ou qu'elle est mal équilibrée.**
24. **Utilisez la face spécifiée de la meule pour meuler.**
25. **Prenez garde aux étincelles qui jaillissent. Tenez l'outil de sorte que les étincelles ne jaillissent pas vers vous, vers une autre personne présente ou vers un matériau inflammable.**
26. **N'abandonnez pas l'outil alors qu'il tourne. Ne faites fonctionner l'outil qu'une fois que vous l'avez bien en main.**
27. **Ne touchez jamais la pièce à travailler juste après l'opération ; elle peut être extrêmement chaude et vous risquez de vous brûler.**
28. **Pour installer et utiliser correctement la meule, veuillez suivre les instructions du fabricant. Manipulez les meules avec soin et rangez-les en lieu sûr.**
29. **Assurez-vous que la pièce à travailler est correctement soutenue.**
30. **Si le site de travail est extrêmement chaud et humide ou s'il y a beaucoup de poussières conductrices dans l'air, utilisez un coupe-circuit (30 mA) pour assurer votre sécurité.**
31. **N'utilisez l'outil sur aucun matériau contenant de l'amiante.**
32. **Veillez à toujours avoir une bonne position d'équilibre. Assurez-vous que personne ne se trouve sous l'outil lorsque vous l'utilisez en position élevée.**

## CONSERVEZ CES INSTRUCTIONS.

**⚠ AVERTISSEMENT :**  
**NE** vous laissez **PAS** tromper (au fil d'une utilisation répétée) par un sentiment d'aisance et de familiarité avec le produit, en négligeant le respect rigoureux des consignes de sécurité qui accompagnent l'outil. Une **UTILISATION INCORRECTE** de l'outil ou le non-respect des consignes de sécurité indiquées dans ce manuel d'instructions peuvent causer des blessures graves.

## DESCRIPTION DU FONCTIONNEMENT

#### ATTENTION :

- Assurez-vous toujours que l'outil est éteint et débranché avant de le régler ou de vérifier son fonctionnement.

## Interrupteur (Fig. 1)

#### ATTENTION :

- Avant de brancher l'outil, vérifiez toujours que l'interrupteur à glissière fonctionne bien et revient en position d'arrêt lorsque vous enfoncez sa partie arrière. Pour mettre l'outil en marche, glissez l'interrupteur à glissière sur la position « I » (MARCHE). Pour une utilisation continue, appuyez sur la partie avant de l'interrupteur à glissière pour le verrouiller. Pour arrêter l'outil, appuyez sur la partie arrière de l'interrupteur à glissière, puis glissez ce dernier vers la position « O » (ARRÊT).

## ASSEMBLAGE

#### ATTENTION :

- Avant d'effectuer toute intervention sur l'outil, assurez-vous toujours qu'il est éteint et débranché.

## Pose ou dépose de la meule sur tige (Fig. 2)

Desserrez l'écrou de mandrin et insérez-y la meule sur tige. Utilisez une clé pour tenir l'axe et l'autre pour serrer fermement l'écrou de mandrin.

La meule sur tige ne doit pas être montée à plus de 10 mm de l'écrou de mandrin. L'outil risque de vibrer ou l'axe de se casser si cette distance est dépassée. (Fig. 3) Pour retirer la meule sur tige, suivez la procédure d'installation dans l'ordre inverse.

#### ATTENTION :

- Utilisez un cône de mandrin dont la taille correspond à la meule sur tige que vous utiliserez.

## UTILISATION (Fig. 4)

Faites démarrer l'outil sans mettre la meule sur tige en contact avec la pièce et attendez que la meule sur tige atteigne sa pleine vitesse. Appliquez ensuite doucement la meule sur tige contre la pièce. Pour obtenir une bonne finition, déplacez lentement l'outil vers la gauche.

#### ATTENTION :

- Appliquez une légère pression sur l'outil. Une pression excessive sur l'outil résultera en une finition médiocre et imposera une surcharge au moteur.

## MAINTENANCE

#### ATTENTION :

- Assurez-vous toujours que l'outil est éteint et débranché avant d'effectuer tout travail d'inspection ou de maintenance.
- N'utilisez jamais d'essence, de benzine, de diluant, d'alcool ou de produit similaire. Ces produits risquent de provoquer des décolorations, des déformations ou des fissures.

Pour assurer la SÉCURITÉ et la FIABILITÉ du produit, toute réparation, inspection et remplacement des charbons, ainsi que toute autre tâche de maintenance ou de réglage, doivent être effectués par un Centre de service agréé Makita, toujours avec des pièces de rechange Makita.

## ACCESSOIRES FOURNIS EN OPTION

### ATTENTION :

- Ces accessoires ou pièces complémentaires sont recommandés pour être utilisés avec l'outil Makita spécifié dans ce mode d'emploi. L'utilisation de tout autre accessoire ou pièce complémentaire peut comporter un risque de blessure. N'utilisez les accessoires ou pièces qu'aux fins auxquelles ils ont été conçus.

Pour obtenir plus de détails sur ces accessoires, contactez votre Centre de service local Makita.

- Meules sur tige
- Ensemble d'écrous de mandrin (3 mm, 6 mm, 8 mm, 1/4", 1/8")
- Clé 13
- Ensemble de manche latéral

### Manche latéral (Fig. 5)

Pour utiliser le manche latéral, retirez le protecteur en caoutchouc, insérez le manche latéral à fond dans le barillet de l'outil et tournez-le jusqu'à l'angle désiré. Serrez ensuite le manche fermement en le tournant dans le sens des aiguilles d'une montre.

### ATTENTION :

- Lorsque vous utilisez l'outil sans le manche, installez toujours le protecteur en caoutchouc sur l'outil.
- Pour installer le protecteur en caoutchouc, enfoncez-le toujours dans l'outil jusqu'à ce que la partie saillante qui se trouve à l'intérieur du protecteur pénètre dans les rainures de l'outil.

### REMARQUE :

- Certains éléments de la liste peuvent être inclus en tant qu'accessoires standard dans le coffret de l'outil envoyé. Ils peuvent varier suivant les pays.

### Bruit

ENG905-1

Les niveaux de bruit pondéré A typiques ont été mesurés selon la norme EN60745 :

Niveau de pression sonore ( $L_{pA}$ ) : 76 dB (A)

Incertitude (K) : 3 dB (A)

Le niveau de bruit peut dépasser 80 dB (A) lors de l'utilisation.

### Portez des protections auditives.

### Vibration

ENG900-1

La valeur totale de vibration (somme du vecteur triaxial) a été déterminée selon la norme EN60745 :

Mode de fonctionnement : meulage de surface

Émission de vibrations ( $a_{h, SG}$ ) : 2,5 m/s<sup>2</sup>

Incertitude (K) : 1,5 m/s<sup>2</sup>

ENG902-1

- La valeur de l'émission des vibrations déclarée a été mesurée conformément à la méthode de test standard et peut être utilisée afin de comparer des outils entre eux.
- La valeur de l'émission des vibrations déclarée peut également être utilisée lors d'une évaluation préliminaire de l'exposition.
- La valeur de l'émission des vibrations déclarée est utilisée pour les principales applications de l'outil électrique. Cependant, si l'outil est utilisé pour d'autres

applications, la valeur de l'émission des vibrations peut être différente.

### AVERTISSEMENT :

- Selon la manière dont l'outil est utilisé, il est possible que l'émission des vibrations pendant l'utilisation réelle de l'outil électrique diffère de la valeur de l'émission déclarée.
- Veillez à identifier les mesures de sécurité destinées à protéger l'opérateur et établies à partir de l'estimation de l'exposition dans les conditions réelles d'utilisation (en prenant en compte toutes les étapes du cycle de fonctionnement, telles que les périodes de mise hors tension de l'outil, les périodes de fonctionnement au ralenti et les périodes de mise en route).

### Déclaration de conformité CE

#### *Pour les pays d'Europe uniquement*

La Déclaration de conformité CE figure en Annexe A du présent mode d'emploi.

# DEUTSCH (Originalanweisungen)

## Erklärung der Gesamtdarstellung

- |                      |                      |
|----------------------|----------------------|
| 1. Schiebeschalter   | 3. Spannzangenmutter |
| 2. Gabelschlüssel 13 | 4. Seitengriff       |

## TECHNISCHE DATEN

Modell		GD0602
Max. Spannzangenkapazität		8 mm
Schleifstift	Max. Durchmesser des Schleifstiftes	38 mm
	Max. Spanndorn (Schaft) Länge	46 mm
Nenn Drehzahl (n) / Leerlaufdrehzahl (n <sub>0</sub> )		25.000 min <sup>-1</sup>
Gesamtlänge		264 mm
Nettogewicht		1,4 kg
Sicherheitsklasse		□/II

- Aufgrund unserer beständigen Forschungen und Weiterentwicklungen sind Änderungen an den hier angegebenen Technischen Daten ohne Vorankündigung vorbehalten.
- Die Technischen Daten können in den einzelnen Ländern voneinander abweichen.
- Gewicht entsprechend EPTA-Verfahren 01/2003

**Verwendungszweck** ENE050-1  
Dieses Werkzeug wurde dafür entwickelt, Eisenmaterial zu schleifen und Gussstücke zu entgraten.

**Stromversorgung** ENF002-2  
Das Werkzeug darf nur an eine Stromversorgung mit Einphasen-Wechselstrom mit der auf dem Typenschild angegebenen Spannung angeschlossen werden. Das Werkzeug verfügt über ein doppelt isoliertes Gehäuse und kann daher auch an einer Stromversorgung ohne Schutzkontakt betrieben werden.

## Allgemeine Sicherheitshinweise für Elektrowerkzeuge

GEA101-0

**⚠️ WARNUNG** Lesen Sie alle Sicherheitshinweise und Anweisungen sorgfältig durch. Wenn die Hinweise und Anweisungen nicht beachtet werden, besteht die Gefahr eines Stromschlags, Brands und/oder das Risiko von ernsthaften Verletzungen.

## Bewahren Sie alle Hinweise und Anweisungen zur späteren Referenz gut auf.

## SICHERHEITSHINWEISE ZUM GERADSCHLEIFER

GEB034-9

Allgemeine Sicherheitshinweise zum Schleifbetrieb:

1. **Dieses Elektrowerkzeug ist für den Einsatz als Schleifer vorgesehen. Lesen Sie alle Sicherheitshinweise, Anweisungen, Abbildungen und Spezifikationen durch, die mit diesem Elektrowerkzeug geliefert wurden.** Werden nicht alle der unten aufgeführten Anweisungen befolgt, besteht die Gefahr eines Stromschlags, Brands und/oder die Gefahr schwerer Verletzungen.
2. **Arbeiten wie Schmirgeln, Drahtbürsten, Polieren oder Abschneiden sollten mit diesem**

**Elektrowerkzeug nicht ausgeführt werden.** Bei Arbeiten, für die das Elektrowerkzeug nicht vorgesehen ist, kann es zu gefährlichen Situationen und zu Verletzungen kommen.

3. **Verwenden Sie nur Zubehör, das vom Hersteller des Geräts entwickelt oder vom Hersteller ausdrücklich empfohlen wurde.** Nur weil Sie ein bestimmtes Zubehör am Werkzeug befestigen können, bedeutet dies nicht, dass die Verwendung gefahrlos möglich ist.
4. **Die Nenn Drehzahl des Zubehörs muss mindestens der auf dem Elektrowerkzeug angegebenen Höchstzahl entsprechen.** Zubehör, das mit einer höheren Drehzahl als der Nenn Drehzahl betrieben wird, kann zerbersten, wobei Teile mit hoher Geschwindigkeit durch die Luft fliegen.
5. **Außendurchmesser und Dicke von Zubehör müssen innerhalb der Nennwerte des Elektrowerkzeugs liegen.** Zubehör in unzulässiger Größe kann nicht ordnungsgemäß unter Kontrolle gehalten werden.
6. **Die Dorngröße der Zubehöre muss genau auf die Spannzange des Elektrowerkzeugs passen.** Zubehöre, die nicht genau auf den Aufsatz des Elektrowerkzeugs passen, laufen aus dem Gleichgewicht, vibrieren übermäßig und können zu Kontrollverlust führen.
7. **Bei Befestigung mit einem Spanndorn müssen die Zubehöre vollständig in die Spannzange oder das Spannfutter eingesetzt werden.** Wenn der Spanndorn unzureichend befestigt ist oder der Überstand des Schleifstiftes zu groß ist, kann sich das eingespannte Zubehör lösen und unter hoher Geschwindigkeit weggeschleudert werden.
8. **Verwenden Sie kein beschädigtes Zubehör. Überprüfen Sie vor jeder Verwendung das Zubehör, wie beispielsweise Schleifscheiben, auf Risse und sonstige Beschädigungen.** Wenn das Elektrowerkzeug oder ein Zubehör zu Boden gefallen sein sollte, überprüfen Sie Werkzeug bzw.

- Zubehör auf Beschädigungen und tauschen Sie ggf. beschädigte Teile gegen unbeschädigte Teile aus.** Nachdem Sie das Zubehör überprüft und montiert haben, sorgen Sie dafür, dass Sie und Umstehende sich nicht in der Rotationsebene des rotierenden Zubehöerteils aufhalten und lassen Sie das Elektrowerkzeug eine Minute mit maximaler Leerlaufdrehzahl laufen. Möglicherweise beschädigtes Zubehör würde üblicherweise innerhalb dieser Testzeit zerbersten.
9. **Tragen Sie Schutzausrüstung! Tragen Sie je nach Arbeitsaufgabe einen Gesichtsschild oder eine Schutzbrille. Soweit angemessen, tragen Sie Staubmaske, Gehörschutz, Schutzhandschuhe oder Spezialschürze, um kleine Schleif- und Materialpartikel von Ihnen fernzuhalten.** Der Augenschutz muss umherfliegende Fremdkörper abhalten können, die bei verschiedenen Arbeiten auftreten können. Die Staub- oder Atemschutzmaske muss Partikel herausfiltern können, die bei verschiedenen Arbeiten entstehen. Lange und intensive Lärmwirkung kann zu Gehörverlust führen.
  10. **Achten Sie darauf, dass Umstehende den Sicherheitsabstand zum Arbeitsbereich einhalten. Jeder, der den Arbeitsbereich betritt, muss eine Schutzausrüstung tragen.** Splitter des Werkstücks oder eines geborstenen Zubehöerteils können umherfliegen und auch außerhalb des eigentlichen Arbeitsbereichs noch zu Verletzungen führen.
  11. **Halten Sie das Elektrowerkzeug an den isolierten Griffflächen, wenn Sie unter Bedingungen arbeiten, bei denen das Schneidwerkzeug nicht sichtbare Stromkabel oder das eigene Kabel berühren kann.** Bei Kontakt des Werkzeugs mit einem stromführenden Kabel könnten die Metallteile des Elektrowerkzeugs unter Strom gesetzt werden und der Bediener könnte dadurch einen Stromschlag erleiden.
  12. **Halten Sie das Werkzeug während des Startvorgangs immer fest in Händen.** Das Drehmoment des Motors kann während der Beschleunigung auf die volle Drehzahl eine Drehung des Werkzeugs verursachen.
  13. **Verwenden Sie nach Möglichkeit immer Klemmen zur Sicherung des Werkstücks. Halten Sie NIEMALS ein kleines Werkstück in einer Hand und das laufende Werkzeug in der anderen Hand.** Die Fixierung eines kleinen Werkstücks mit Klemmen ermöglicht es Ihnen, beide Hände zur Kontrolle des Werkzeugs zu verwenden. Runde Materialien, wie z.B. Stifte, Leitungen oder Rohre haben die Tendenz, während des Schneidens zu rollen und können dazu führen, dass der Einsatz verkantet und in Ihre Richtung springt.
  14. **Halten Sie das Netzkabel von rotierendem Zubehör fern.** Falls Sie die Kontrolle über das Elektrowerkzeug verlieren, könnte das Netzkabel durchtrennt oder erfasst werden oder Ihre Hand oder Ihr Arm könnten in das rotierende Zubehör geraten.
  15. **Legen Sie das Elektrowerkzeug erst ab, nachdem rotierendes Zubehör zum völligen Stillstand gekommen ist.** Das rotierende Zubehör könnte in Kontakt mit der Auflagefläche kommen, sodass Sie die Kontrolle über das Elektrowerkzeug verlieren.
  16. **Stellen Sie nach einem Einsatzwechsel oder nach dem Vornehmen von Einstellungen sicher, dass Spannzangenmutter, Spannfutter oder andere Justiervorrichtungen sicher befestigt sind.** Lose Justiervorrichtungen können sich unerwartet verschieben und zum Kontrollverlust führen. Lose rotierende Komponenten werden zu gefährlichen Schleudergeschossen.
  17. **Lassen Sie das Elektrowerkzeug nicht in Betrieb, während Sie es tragen.** Ihre Kleidung könnte durch versehentlichen Kontakt mit dem sich drehenden Zubehör erfasst werden, wodurch sich das Zubehör in Ihren Körper bohren könnte.
  18. **Reinigen Sie die Lüftungsschlitze des Elektrowerkzeugs regelmäßig.** Der Motorventilator zieht Staub in das Gehäuse hinein, wobei eine übermäßige Ansammlung von Metallspänen Gefahren durch elektrischen Strom verursachen kann.
  19. **Betreiben Sie das Elektrowerkzeug nicht in der Nähe brennbarer Materialien.** Diese Materialien könnten durch Funken entzündet werden.
  20. **Verwenden Sie keine Zubehöerteile, die flüssige Kühlmittel benötigen.** Bei Verwendung von Wasser oder anderen flüssigen Kühlmitteln könnten Sie einen Stromschlag erleiden.
- Rückschläge und entsprechende Warnhinweise**  
Bei einem Rückschlag handelt es sich um eine plötzliche Reaktion auf verklebtes oder verkantetes Zubehör. Durch Verklebungen oder Verfangen kommt es zu einem plötzlichen Stillstand des rotierenden Zubehörs, sodass das Elektrowerkzeug in die der Rotationsrichtung des Zubehörs entgegengesetzte Richtung gezwungen wird. Verklebte sich beispielsweise eine Schleifscheibe im Werkstück, kann die Kante, die in den Punkt des Verklebens eindringt, in die Oberfläche des Materials eindringen, sodass die Scheibe ausschlägt. Die Scheibe springt entweder in Richtung des Bedieners oder vom Bediener weg; dies hängt von der Richtung der Scheibenbewegung am Punkt der Blockade ab. Unter diesen Umständen können Schleifscheiben auch zerbersten.
- Ein Rückschlag ist auf eine Zweckentfremdung bzw. inkorrekte Betriebsweise oder auf einen fehlerhaften Zustand des Elektrowerkzeugs zurückzuführen und kann durch die im Folgenden aufgeführten Vorsichtsmaßnahmen verhindert werden.
- a) **Halten Sie das Elektrowerkzeug stets mit beiden Händen gut fest und halten Sie Ihren Körper und Ihre Arme so, dass Sie Rückschläge abfangen können.** Bei geeigneten Vorsichtsmaßnahmen können Rückschlagkräfte sicher von der Bedienperson beherrscht werden.
  - b) **Arbeiten Sie im Bereich von Ecken, scharfen Kanten usw. besonders vorsichtig. Verhindern Sie, dass das Zubehör vom Werkstück zurückprallt und verklebmt.** Das rotierende Zubehör neigt bei Ecken, scharfen Kanten oder beim Abprallen dazu, sich zu verklebmen. Dies verursacht einen Verlust der Kontrolle oder Rückschlag.
  - c) **Kein gezahntes Sägeblatt einsetzen.** Derartige Blätter verursachen häufig ein Rückschlagen und führen zum Kontrollverlust.

d) Führen Sie den Einsatz immer in derselben Richtung in das Material ein, in der die Schnittkante aus dem Material herauskommt (die Richtung, in die die Späne geschleudert werden). Wird das Werkzeug in der falschen Richtung eingeführt, führt dies zu einem Ausbrechen der Einsatz-Schnittkante und somit zu einem Mitziehen des Werkzeugs in diese Richtung.

#### **Spezielle Sicherheitshinweise zum Schleifbetrieb:**

- a) Verwenden Sie ausschließlich Schleifstifttypen, die für Ihr Elektrowerkzeug empfohlen werden, und auch dann nur für empfohlene Anwendungen.
- b) Meiden Sie den Bereich vor und hinter dem rotierenden Schleifstift. Wenn sich der Schleifstift während des Betriebs von Ihrer Hand wegbewegt, kann im Falle eines Rückschlags das Elektrowerkzeug mit sich drehenden Schleifstift direkt auf Sie zugeschleudert werden.

#### **Zusätzliche Sicherheitshinweise:**

21. Das Werkzeug ist für die Verwendung mit gummigebundenen Schleifstiften (Schleifkörper) ausgelegt, die permanent auf einem glatten Spanndorn ohne Gewinde (Schaft) montiert sind.
22. Stellen Sie vor dem Einschalten des Werkzeugs sicher, dass der Schleifstift das Werkstück nicht berührt.
23. Bevor Sie das Werkzeug auf das zu bearbeitende Werkstück ansetzen, lassen Sie es einige Zeit ohne Last laufen. Achten Sie auf Vibrationen und Schlägen; beide Anzeichen können auf einen schlecht ausgewuchteten oder nicht fachgerecht eingebauten Schleifstift hindeuten.
24. Verwenden Sie für Schleifarbeiten ausschließlich die dafür vorgesehene Fläche der Schleifscheibe.
25. Achten Sie auf Funkenbildung. Halten Sie das Werkzeug so, dass Sie, umstehende Personen oder leicht entzündliche Materialien nicht von Funken getroffen werden.
26. Lassen Sie das Werkzeug nicht unbeaufsichtigt eingeschaltet. Das Werkzeug darf nur dann in Betrieb sein, wenn es von Hand festgehalten wird.
27. Vermeiden Sie eine Berührung des Werkstücks unmittelbar nach der Bearbeitung, da es dann noch sehr heiß sein und somit Hautverbrennungen verursachen kann.
28. Befolgen Sie die Anweisungen des Herstellers zur korrekten Montage und Verwendung von Schleifstiften. Behandeln und lagern Sie Schleifstifte mit Sorgfalt.
29. Vergewissern Sie sich, dass das Werkstück sicher eingespannt ist.
30. Falls der Arbeitsplatz sehr heiß, feucht oder durch leitfähigen Staub stark verschmutzt ist, verwenden Sie zum Schutz des Bedieners einen Kurzschlusschalter (30 mA).
31. Verwenden Sie dieses Werkzeug nicht zum Bearbeiten von asbesthaltigen Materialien.
32. Achten Sie jederzeit auf einen festen Stand. Achten Sie darauf, dass sich niemand unter Ihnen befindet, wenn Sie das Werkzeug an erhöhten Orten verwenden.

## **BEWAHREN SIE DIESE ANLEITUNG SORGFÄLTIG AUF.**

### **⚠️ WARNUNG:**

Lassen Sie sich NIE durch Bequemlichkeit oder (aus fortwährendem Gebrauch gewonnener) Vertrautheit mit dem Werkzeug dazu verleiten, die Sicherheitsregeln für das Werkzeug zu missachten. Bei MISSBRÄUCLICHER Verwendung des Werkzeugs oder bei Missachtung der in diesem Handbuch enthaltenen Sicherheitshinweise kann es zu schweren Verletzungen kommen.

## **FUNKTIONSBESCHREIBUNG**

### **ACHTUNG:**

- Schalten Sie das Werkzeug stets aus und ziehen Sie den Stecker, bevor Sie Einstellungen oder eine Funktionsprüfung des Werkzeugs vornehmen.

### **Bedienung des Schalters (Abb. 1)**

#### **ACHTUNG:**

- Stellen Sie vor dem Anschließen des Werkzeugs an das Stromnetz sicher, dass sich der Schiebeschalter korrekt bedienen lässt und in Stellung „OFF“ (AUS) zurückkehrt, sobald das hintere Ende des Schiebeschalters nach unten gedrückt wird.

Um das Werkzeug einzuschalten, schieben Sie den Schiebeschalter in Stellung „I (ON)“. Zum Dauerbetrieb muss das vordere Ende des Schiebeschalters gedrückt werden, um den Schalter zu arretieren. Wenn Sie das Werkzeug anhalten möchten, drücken Sie das hintere Ende des Schiebeschalters, und schieben Sie diesen dann in die Position „O (OFF)“.

## **MONTAGE**

### **ACHTUNG:**

- Schalten Sie das Werkzeug stets aus und ziehen Sie den Stecker, bevor Sie irgendwelche Arbeiten am Werkzeug durchführen.

### **Montage und Demontage des Schleifstifts (Abb. 2)**

Die Spannzangenmutter lösen, und den Schleifstift in die Spannzangenmutter einführen. Die Spindel mit einem Schraubenschlüssel arretieren, und die Spannzangenmutter mit dem anderen Schraubenschlüssel festziehen.

Der Schleifstift darf nicht mehr als 10 mm über die Spannzangenmutter überstehen. Eine Überschreitung dieses Maßes kann zu Vibrationen oder Schaftbruch führen. (Abb. 3)

Das Entfernen des Schleifstifts erfolgt in umgekehrter Reihenfolge wie das Einspannen.

### **ACHTUNG:**

- Verwenden Sie einen passenden Spannzangenkonus für den zu benutzenden Schleifstift.

## **BETRIEB (Abb. 4)**

Werkzeug einschalten, ohne dass der Schleifstift das Werkstück berührt, und warten, bis er die volle Drehzahl

erreicht. Dann den Schleifstift sanft an das Werkstück ansetzen. Um einen sauberen Schliff zu erhalten, das Werkzeug langsam nach links bewegen.

#### **ACHTUNG:**

- Üben Sie nur leichten Druck auf das Werkzeug aus. Übermäßiger Druck auf das Werkzeug verursacht ein schlechtes Schliffbild und eine Überlastung des Motors.

## **WARTUNG**

#### **ACHTUNG:**

- Schalten Sie das Werkzeug stets aus und ziehen Sie den Stecker, bevor Sie Prüfungen oder Wartungsarbeiten am Werkzeug durchführen.
- Verwenden Sie zum Reinigen niemals Kraftstoffe, Benzin, Verdünner, Alkohol oder ähnliches. Dies kann zu Verfärbungen, Verformungen oder Rissen führen.

Um die SICHERHEIT und ZUVERLÄSSIGKEIT des Produkts zu gewährleisten, dürfen Reparaturen, Kohlebürsteningektion und -ersatz sowie alle anderen Wartungsarbeiten und Einstellungen nur in von Makita autorisierten Servicecentern ausgeführt werden. Dabei sind ausschließlich Makita-Ersatzteile zu verwenden.

## **SONDERZUBEHÖR**

#### **ACHTUNG:**

- Für das in diesem Handbuch beschriebene Makita-Gerät werden die folgenden Zubehör- und Zusatzteile empfohlen. Bei Verwendung anderer Zubehör- und Zusatzteile kann es zu Verletzungen kommen. Verwenden Sie Zubehör- und Zusatzteile nur für den vorgesehenen Zweck.

Informationen zu diesem Zubehör erhalten Sie von Ihrem Makita-Servicecenter.

- Schleifstifte
- Spannzangenkonussatz (3 mm, 6 mm, 8 mm, 1/4", 1/8")
- Schlüssel 13
- Seitengriffsatz

### **Seitengriff (Abb. 5)**

Wenn Sie den Seitengriff verwenden, entfernen Sie den Gummischutz, führen Sie den Seitengriff so weit wie möglich in die Werkzeugtrommel ein und drehen Sie ihn dann in den gewünschten Winkel. Ziehen Sie anschließend den Griff im Uhrzeigersinn fest.

#### **ACHTUNG:**

- Ohne Griff darf das Werkzeug nur mit dem Gummischutz verwendet werden.
- Wenn Sie den Gummischutz anbringen, drücken Sie ihn immer auf das Werkzeug, bis der Vorsprung im Gummi auf die Kerben am Werkzeug greift.

#### **HINWEIS:**

- Einige der in der Liste aufgeführten Elemente sind dem Werkzeugpaket als Standardzubehör beigelegt. Diese können in den einzelnen Ländern voneinander abweichen.

## **Schall**

ENG905-1

Typischer A-bewerteter Schallpegel nach EN60745:

Schalldruckpegel ( $L_{pA}$ ): 76 dB (A)

Abweichung (K): 3 dB (A)

Unter Arbeitsbedingungen kann der Schallpegel 80 dB (A) überschreiten.

### **Tragen Sie Gehörschutz.**

## **Schwingung**

ENG900-1

Schwingungsgesamtwerte (Vektorsumme dreier Achsen) nach EN60745:

Arbeitsmodus: Planschleifen

Schwingungsbelastung ( $a_{h, SG}$ ): 2,5 m/s<sup>2</sup>

Abweichung (K): 1,5 m/s<sup>2</sup>

ENG902-1

- Der hier angegebene Wert für die erzeugten Schwingungen wurde gemäß dem genormten Testverfahren ermittelt und kann als Vergleich zu anderen Werkzeugen herangezogen werden.
- Der angegebene Wert für die erzeugten Schwingungen ist außerdem für eine vorbeugende Bewertung der Belastung zu verwenden.
- Der angegebene Wert für die erzeugten Schwingungen gilt, wenn das Elektrowerkzeug für den vorgesehenen Zweck verwendet wird. Wenn das Werkzeug für andere Zwecke verwendet wird, kann der Wert für die Schwingungsbelastung jedoch von dem hier aufgeführten Wert abweichen.

#### **WARNUNG:**

- Die Schwingungsbelastung kann bei tatsächlichem Gebrauch des Elektrowerkzeugs in Abhängigkeit von der Handhabung des Elektrowerkzeugs von dem hier aufgeführten Wert abweichen.
- Stellen Sie sicher, dass Schutzmaßnahmen für den Bediener getroffen werden, die auf den unter den tatsächlichen Arbeitsbedingungen zu erwartenden Belastungen beruhen (beziehen Sie alle Bestandteile des Arbeitsablaufs ein, also zusätzlich zu den Arbeitszeiten auch Zeiten, in denen das Werkzeug ausgeschaltet ist oder ohne Last läuft).

### **EG-Konformitätserklärung**

#### **Nur für europäische Länder**

Die EG-Konformitätserklärung liegt dieser Betriebsanleitung als Anhang A bei.

- |                            |                         |
|----------------------------|-------------------------|
| 1. Interruttore scorrevole | 3. Dado della bussola   |
| 2. Chiave da 13            | 4. Impugnatura laterale |

## CARATTERISTICHE TECNICHE

Modello		GD0602
Capacità max coltetto		8 mm
Punta della mola	Diametro max mola	38 mm
	Lunghezza massima del mandrino	46 mm
Velocità nominale (n)/Velocità a vuoto (n <sub>0</sub> )		25.000 min <sup>-1</sup>
Lunghezza totale		264 mm
Peso netto		1,4 kg
Classe di sicurezza		□/II

- Le caratteristiche tecniche riportate di seguito sono soggette a modifiche senza preavviso in virtù del nostro programma continuo di ricerca e sviluppo.
- Le caratteristiche tecniche possono differire da paese a paese.
- Peso determinato in conformità con la EPTA-Procedure 01/2003

### Uso previsto ENE050-1

Questo utensile è stato progettato per smerigliare materiali ferrosi o per eseguire la sbavatura di pezzi fusi.

### Alimentazione ENF002-2

L'utensile deve essere collegato a una presa di corrente con la stessa tensione di quella indicata sulla targhetta e può funzionare soltanto con corrente alternata monofase. L'utensile è dotato di doppio isolamento, pertanto può essere usato anche con prese di corrente sprovviste della messa a terra.

## Avvertenze generali di sicurezza per l'uso dell'utensile GEA010-1

**⚠ AVVERTENZA** Leggere attentamente tutte le avvertenze di sicurezza e le istruzioni. La mancata osservanza delle istruzioni e delle avvertenze riportate di seguito potrebbe provocare scosse elettriche, incendi e/o lesioni gravi.

## Conservare le avvertenze e le istruzioni per riferimenti futuri.

## AVVERTENZE DI SICUREZZA PER LA SMERIGLIATRICE DIRITTA GEB034-9

Avvertenze di sicurezza comuni per le operazioni di smerigliatura:

1. **Questo elettrotensile è pensato per essere utilizzato come smerigliatrice. Leggere tutti gli avvisi di sicurezza, le istruzioni, le illustrazioni e le caratteristiche tecniche fornite con questo elettrotensile.** La mancata osservanza delle istruzioni riportate di seguito può provocare scosse elettriche, incendi e/o gravi infortuni.
2. **Si sconsiglia di eseguire con questo elettrotensile operazioni quali carteggiatura, spazzolatura metallica, lucidatura e taglio.** Le operazioni per le quali l'elettrotensile non è stato progettato possono creare pericoli e causare lesioni personali.
3. **Non utilizzare accessori non appositamente progettati e consigliati dal produttore dell'utensile.** La possibilità di montare l'accessorio sull'elettrotensile non ne garantisce il funzionamento sicuro.
4. **La velocità nominale dell'accessorio deve essere almeno equivalente alla velocità massima indicata sull'elettrotensile.** Gli accessori che funzionano a velocità superiori a quella nominale possono rompersi in più pezzi.
5. **Il diametro esterno e lo spessore dell'accessorio devono corrispondere alla capacità nominale dell'elettrotensile.** Accessori di dimensioni inadeguate non possono essere controllati adeguatamente.
6. **La dimensione dell'asta degli accessori deve essere adeguata a quella della pinza dell'elettrotensile.** Gli accessori che non corrispondono all'attacco di montaggio dell'elettrotensile risulteranno sbilanciati, vibreranno eccessivamente e potrebbero causare la perdita di controllo.
7. **Gli accessori montati sul mandrino devono essere inseriti a fondo nella pinza o nel mandrino.** Se il mandrino è bloccato in modo insufficiente e/o la sporgenza della mola è eccessiva, l'accessorio montato potrebbe allentarsi ed essere scagliato ad alta velocità.
8. **Non utilizzare un accessorio danneggiato. Prima di ogni uso, esaminare gli accessori, ad esempio le mole abrasive, per individuare eventuali trucioli o rotture. Se l'elettrotensile o l'accessorio è caduto, verificare l'eventuale presenza di danni o montare un accessorio non danneggiato. Dopo aver esaminato e montato un accessorio,**

- scostarsi e allontanare eventuali persone presenti dal piano di rotazione dell'accessorio, quindi azionare l'elettrotensile alla massima velocità a vuoto per un minuto.** Solitamente gli accessori danneggiati si rompono durante questa verifica.
9. **Indossare i dispositivi di protezione individuale. Utilizzare uno schermo facciale, una maschera protettiva oppure degli occhiali di protezione in base all'applicazione. Se necessario, usare maschere antipolvere, protezioni acustiche, guanti e grembiuli da officina in grado di fermare piccoli frammenti o schegge abrasive.** La protezione per gli occhi deve essere in grado di fermare i residui scagliati durante le varie operazioni. La maschera antipolvere o il respiratore devono essere in grado di filtrare le particelle generate dall'operazione. L'esposizione prolungata al rumore ad alta intensità può causare la perdita dell'udito.
  10. **Mantenere gli astanti a distanza di sicurezza dall'area di lavoro. Tutte le persone che entrano nell'area di lavoro devono indossare i dispositivi di protezione individuale.** I frammenti del pezzo in lavorazione o di un accessorio rotto possono essere scagliati e provocare infortuni anche oltre l'area dell'operazione.
  11. **Se vengono eseguite operazioni in cui l'accessorio di taglio può toccare fili nascosti o il cavo di alimentazione dell'elettrotensile, impugnare l'utensile utilizzando esclusivamente i punti di presa isolati.** Se l'accessorio di taglio entra in contatto con un filo percorso da corrente, le parti metalliche esposte dell'elettrotensile si troveranno anch'esse sotto tensione e potrebbero provocare scosse elettriche all'operatore.
  12. **Tenere sempre saldamente l'utensile con una o due mani durante l'avvio.** La coppia di reazione del motore, durante l'accelerazione fino alla velocità massima, può causare una torsione dell'utensile.
  13. **Utilizzare una morsa per sostenere il pezzo in lavorazione ogni volta che sia pratico adottare questa soluzione. Durante l'uso, non tenere mai un pezzo di piccole dimensioni in una mano e l'utensile nell'altra mano.** Il bloccaggio di un pezzo di piccole dimensioni in una morsa consente di utilizzare le mani per controllare l'utensile. I materiali arrotondati, quali aste per tasselli, tubi o tubazioni, hanno la tendenza a rotolare durante il taglio e potrebbero provocare lo spostamento o il salto della punta verso l'operatore.
  14. **Posizionare il cavo lontano dall'accessorio in rotazione.** Se si perde il controllo, il cavo può tagliarsi o impigliarsi e la mano o il braccio potrebbero essere spinti nell'accessorio in rotazione.
  15. **Non appoggiare l'elettrotensile a terra se l'accessorio non è completamente fermo.** L'accessorio rotante può agganciare la superficie causando la perdita di controllo dell'utensile.
  16. **Dopo aver cambiato la punta o aver effettuato qualsiasi regolazione, assicurarsi che il dado della pinza, il mandrino o qualsiasi altro dispositivo di regolazione sia saldamente serrato.** I dispositivi di regolazione allentati possono spostarsi inaspettatamente, provocando la perdita del controllo;

i componenti in rotazione allentati saranno scagliati violentemente.

17. **Non azionare l'elettrotensile quando viene trasportato a lato del proprio corpo.** Il contatto accidentale con l'accessorio in rotazione può far impigliare i vestiti, attirando il disco verso il corpo.
18. **Pulire regolarmente le aperture di ventilazione dell'elettrotensile.** La ventola del motore attira la polvere all'interno dell'alloggiamento e l'accumulo eccessivo di polvere metallica può causare pericoli elettrici.
19. **Non utilizzare l'elettrotensile in prossimità di materiali infiammabili.** Le scintille possono provocare l'accensione di questi materiali.
20. **Non utilizzare accessori che richiedono refrigeranti liquidi.** L'utilizzo di acqua o altri refrigeranti liquidi può provocare elettrocuzione o scosse elettriche.

#### Contraccolpi e relative avvertenze

Il contraccollo è una reazione improvvisa dovuta all'accessorio in rotazione che si impiglia o urta il pezzo in lavorazione. L'inceppamento causa un improvviso stallo dell'accessorio in rotazione, che a sua volta spinge l'elettrotensile privo di controllo nella direzione opposta al verso di rotazione dell'accessorio.

Ad esempio, se un disco abrasivo si incastra nel pezzo in lavorazione, il bordo del disco inceppato potrebbe attaccarsi alla superficie del materiale, causando l'innalzamento o l'espulsione del disco. Il disco potrebbe schizzare contro l'operatore o nella direzione opposta, a seconda della direzione di movimento del disco nel punto di inceppamento. In queste circostanze i dischi abrasivi possono anche rompersi.

Il contraccollo è determinato dall'uso improprio dell'elettrotensile e/o da procedure o condizioni operative errate; può essere evitato adottando le precauzioni specifiche illustrate di seguito.

- a) **Mantenere una presa ben salda sull'elettrotensile posizionando il proprio corpo e il braccio in modo da resistere alla forza del contraccollo.** Adottando le precauzioni adeguate, l'operatore può controllare la forza del contraccollo.
- b) **Prestare particolare attenzione durante il lavoro negli angoli, sui bordi taglienti e così via. Evitare di fare rimbalzare o urtare l'accessorio.** Gli spigoli, i bordi appuntiti o i rimbalzi tendono a far inceppare l'accessorio in rotazione, provocando contraccolpi o perdite di controllo.
- c) **Non montare una lama per sega dentata.** Queste lame tendono a creare frequenti contraccolpi e perdite di controllo.
- d) **Introdurre la punta nel materiale procedendo sempre nella direzione di uscita del bordo tagliente dal materiale (ovvero nella stessa direzione in cui vengono gettati i trucioli).**

L'introduzione dell'utensile nella direzione errata può causare la fuoriuscita del bordo tagliente della punta dal pezzo in lavorazione, attirando l'utensile nella direzione di introduzione.



**Avvertenze di sicurezza specifiche per la smerigliatura:**

- a) **Utilizzare soltanto i tipi di mole consigliate per l'elettro utensile in uso ed esclusivamente per le applicazioni consigliate.**
- b) **Non posizionare la mano in linea e dietro alla mola in rotazione.** Se la mola, nel punto di mobilità, si sposta lontano dalla mano, gli eventuali contraccolpi possono spingere la mola in rotazione e l'elettro utensile direttamente verso l'operatore.

**Avvertenze di sicurezza supplementari:**

21. **L'utensile è destinato all'uso con punte di mole abrasive ancorate montate permanentemente su mandrini piani e non filettati.**
22. **Verificare che la mola non tocchi il pezzo in lavorazione prima di accendere l'interruttore.**
23. **Prima di utilizzare l'utensile sul pezzo in lavorazione, lasciarlo funzionare a vuoto per qualche minuto. Prestare attenzione a vibrazioni e oscillazioni che potrebbero indicare errori di installazione o un bilanciamento errato della mola.**
24. **Per la smerigliatura, utilizzare la superficie specificata della mola.**
25. **Prestare attenzione alle scintille. Tenere l'utensile in modo che le scintille non siano dirette verso l'operatore, altre persone o materiali infiammabili.**
26. **Non lasciare l'utensile acceso. Azionare l'utensile solo dopo averlo impugnato.**
27. **Non toccare il pezzo in lavorazione subito dopo il lavoro, poiché può raggiungere temperature elevate e provocare ustioni.**
28. **Osservare le istruzioni del produttore per il corretto montaggio e utilizzo delle mole. Maneggiare e conservare le mole con cura.**
29. **Accertarsi che il pezzo in lavorazione sia adeguatamente sostenuto.**
30. **Se l'ambiente di lavoro è estremamente caldo o umido, oppure contaminato da polvere conduttiva, utilizzare un salvavita (30 mA) per garantire la sicurezza dell'operatore.**
31. **Non utilizzare l'utensile su materiali che contengono amianto.**
32. **Accertarsi di avere sempre un equilibrio stabile. Controllare che nessuno si trovi sotto l'utensile quando lo si utilizza in posizioni elevate.**

## CONSERVARE QUESTE ISTRUZIONI.

 **AVVERTENZA:**

**NON lasciare che la comodità o la familiarità acquisita con il prodotto (dovuta all'uso ripetuto) provochi l'inosservanza delle norme di sicurezza. L'USO IMPROPRIO o la mancata osservanza delle norme di sicurezza indicate in queste istruzioni per l'uso possono provocare gravi lesioni personali.**

## DESCRIZIONE FUNZIONALE

**ATTENZIONE:**

- Prima di regolare o controllare le funzioni dell'utensile, verificare sempre di averlo spento e scollegato dall'alimentazione.

## Azionamento dell'interruttore (Fig. 1)

**ATTENZIONE:**

- Prima di collegare l'utensile, controllare sempre se l'interruttore scorrevole si attiva correttamente e ritorna alla posizione "SPENTO" quando il retro dell'interruttore scorrevole non viene più premuto.

Per avviare l'utensile, portare l'interruttore scorrevole in posizione "I (ACCESO)". Per il funzionamento continuo, premere la parte anteriore dell'interruttore scorrevole per bloccarne la posizione.

Per fermare l'utensile, premere la parte posteriore dell'interruttore scorrevole, quindi portarlo nella posizione "O (SPENTO)".

## MONTAGGIO

**ATTENZIONE:**

- Accertarsi sempre che l'utensile sia spento e scollegato dall'alimentazione prima di svolgere qualsiasi operazione su di esso.

## Installazione o rimozione della punta della mola (Fig. 2)

Allentare il dado della bussola e inserire la punta della mola nel dado. Utilizzare una chiave per tenere il mandrino e l'altra per stringere saldamente il dado. La punta della mola non deve essere montata a più di 10 mm dal dado della bussola. Il superamento di questa distanza potrebbe causare vibrazioni o la rottura dell'albero. (Fig. 3)

Per rimuovere la punta della mola, attenersi alla procedura di installazione procedendo in senso inverso.

**ATTENZIONE:**

- Usare un cono della bussola di chiusura delle dimensioni corrette per la punta disco che si intende utilizzare.

## FUNZIONAMENTO (Fig. 4)

Accendere l'utensile senza far entrare in contatto la punta della mola con il pezzo in lavorazione, quindi attendere che la punta della mola raggiunga la velocità massima. Applicare quindi delicatamente la punta della mola sul pezzo. Per ottenere una buona rifinitura, spostare l'utensile lentamente verso sinistra.

**ATTENZIONE:**

- Esercitare una leggera pressione sull'utensile. Una pressione eccessiva produce soltanto una rifinitura scarsa e sovraccarica il motore.

## MANUTENZIONE

**ATTENZIONE:**

- Prima di effettuare controlli e operazioni di manutenzione, verificare sempre che l'utensile sia spento e scollegato dall'alimentazione.
- Evitare assolutamente di usare benzina, diluenti, solventi, alcol o sostanze simili. In caso contrario, potrebbero verificarsi scoloriture, deformazioni o incrinature.

Per mantenere la SICUREZZA e l'AFFIDABILITÀ del prodotto, le riparazioni, il controllo della spazzola di carbone, le sostituzioni e qualsiasi altra operazione di

manutenzione o regolazione devono essere eseguite da un centro di assistenza Makita autorizzato usando sempre ricambi Makita.

## ACCESSORI OPZIONALI

### **⚠ ATTENZIONE:**

- Si consiglia l'uso dei seguenti accessori per l'utensile Makita descritto in questo manuale. L'uso di qualsiasi altro accessorio potrebbe provocare lesioni personali. Utilizzare gli accessori esclusivamente per l'uso dichiarato.

Per l'assistenza e per ulteriori informazioni su tali accessori, rivolgersi al centro assistenza Makita di zona.

- Punte della mola
- Kit anelli conici (3 mm, 6 mm, 8mm, 1/4", 1/8")
- Chiave da 13
- Kit impugnatura laterale

### **Impugnatura laterale (Fig. 5)**

Per utilizzare l'impugnatura laterale, rimuovere la protezione in gomma quindi inserire completamente l'impugnatura laterale nel portautensili e ruotarla fino a raggiungere l'angolo desiderato. Serrare l'impugnatura saldamente ruotandola in senso orario.

### **ATTENZIONE:**

- Se si utilizza l'utensile senza impugnatura, applicare sempre la protezione in gomma sull'utensile.
- Per applicare la protezione in gomma, premere sull'utensile, finché la sporgenza all'interno della gomma non si inserisce nelle scanalature dell'utensile.

### **NOTA:**

- Alcuni degli accessori elencati potrebbero essere inclusi nella confezione dell'utensile come accessori standard. Gli accessori standard possono differire da paese a paese.

### **Rumore**

ENG905-1

Il tipico livello di rumore ponderato "A" è determinato in conformità con la norma EN60745:

Livello di pressione sonora ( $L_{pA}$ ): 76 dB (A)

Variazione (K): 3 dB (A)

Il livello acustico in funzionamento può superare 80 dB (A).

### **Indossare una protezione acustica.**

### **Vibrazione**

ENG900-1

Il valore totale delle vibrazioni (somma vettoriale triassiale) è determinato in conformità con la norma EN60745:

Modalità di lavoro: smerigliatura della superficie

Emissione vibrazioni ( $a_{h,SG}$ ): 2,5 m/s<sup>2</sup>

Variazione (K): 1,5 m/s<sup>2</sup>

ENG902-1

- Il valore di emissione delle vibrazioni dichiarato è stato misurato in conformità con il metodo di test standard e può essere utilizzato per confrontare tra loro diversi utensili.
- Il valore di emissione delle vibrazioni dichiarato può anche essere utilizzato per stime preliminari dell'esposizione.
- Il valore dell'emissione delle vibrazioni dichiarato è utilizzato per le applicazioni principali dello strumento. Tuttavia, se lo strumento viene utilizzato per altre

applicazioni, il valore dell'emissione delle vibrazioni potrebbe essere diverso.

### **⚠ AVVERTENZA:**

- L'emissione delle vibrazioni durante l'uso effettivo dell'utensile elettrico può risultare diversa rispetto al valore dichiarato, in base alla modalità d'uso dell'utensile.
- Assicurarsi di individuare le necessarie misure di sicurezza per proteggere l'operatore in base a una stima dell'esposizione nelle condizioni reali di utilizzo (prendendo in considerazione tutte le fasi del ciclo operativo, come quante volte l'utensile viene spento e i periodi in cui rimane inattivo, oltre al tempo di avviamento).

### **Dichiarazione di conformità CE**

#### **Solo per i paesi europei**

La dichiarazione di conformità CE è inclusa nell'Allegato A di questo manuale di istruzioni.

## NEDERLANDS (Originele instructies)

### Verklaring van onderdelenoverzicht

1. Schuifknop
2. Sleutel 13
3. Spankopmoer
4. Zijhandgreep

## TECHNISCHE GEGEVENS

Model		GD0602
Max. opening spankop		8 mm
Bit	Max. diameter bit	38 mm
	Max. lengte van spil (schacht)	46 mm
Nominiaal toerental (n)/Nullasttoerental (n <sub>0</sub> )		25.000 min <sup>-1</sup>
Totale lengte		264 mm
Nettogewicht		1,4 kg
Veiligheidsklasse		□/II

- Als gevolg van ons doorlopende onderzoeks- en ontwikkelingsprogramma, zijn de technische gegevens van dit gereedschap onderhevig aan veranderingen zonder voorafgaande kennisgeving.
- De technische gegevens kunnen van land tot land verschillen.
- Gewicht volgens EPTA-procedure 01/2003

**Gebruiksdoel** ENE050-1  
Het gereedschap is bedoeld voor het schuren van ferrometalen en het afbramen van gegoten metaaldelen.

**Voeding** ENF002-2  
Het gereedschap mag uitsluitend worden aangesloten op een voeding met dezelfde spanning als aangegeven op het typeplaatje en werkt alleen op enkele-fase wisselstroom. Het gereedschap is dubbel geïsoleerd en mag derhalve ook op een niet-geaard stopcontact worden aangesloten.

## Algemene veiligheidswaarschuwingen voor elektrisch gereedschap

GEA010-1

**⚠ WAARSCHUWING** Lees alle veiligheidswaarschuwingen en alle instructies. Het niet volgen van de waarschuwingen en instructies kan leiden tot elektrische schokken, brand en/of ernstig letsel.

## Bewaar alle waarschuwingen en instructies om in de toekomst te kunnen raadplegen.

## VEILIGHEIDSWAARSCHUWINGEN VOOR EEN STEPELSLIJPMACHINE

GEB034-9

**Gemeenschappelijke veiligheidswaarschuwingen voor slijpwerkzaamheden:**

1. Dit elektrisch gereedschap is bedoeld voor gebruik als slijpgereedschap. Lees alle veiligheidswaarschuwingen, instructies, afbeeldingen en technische gegevens die bij dit elektrisch gereedschap worden geleverd. Als u nalaat alle onderstaande instructies te volgen, kan dit

leiden tot een elektrische schok, brand en/of ernstig letsel.

2. **Wij adviseren u werkzaamheden zoals schuren, draadborstelen, polijsten of doorslijpen niet uit te voeren met dit elektrisch gereedschap.** Werkzaamheden waarvoor dit elektrisch gereedschap niet is bedoeld kunnen gevaarlijke situaties opleveren en tot persoonlijk letsel leiden.
3. **Gebruik geen accessoires die niet specifiek zijn ontworpen en aanbevolen door de fabrikant van het gereedschap.** Ook wanneer het accessoire kan worden aangebracht op uw elektrisch gereedschap, is een veilige werking niet gegarandeerd.
4. **Het nominaal toerental van het accessoire moet minstens gelijk zijn aan het maximumtoerental vermeld op het elektrisch gereedschap.** Accessoires die met een hoger toerental draaien dan hun nominaal toerental kunnen stuk breken en in het rond vliegen.
5. **De buitendiameter en de dikte van het accessoire moeten binnen het capaciteitsbereik van het elektrisch gereedschap vallen.** Accessoires met verkeerde afmetingen kunnen niet afdoende worden beheerst.
6. **De spildiameter van accessoires moet goed passen in de spankop van het elektrisch gereedschap.** Accessoires die niet overeenkomen met de bevestigingshardware van het elektrisch gereedschap, zullen niet gebalanceerd draaien en buitensporig trillen, en kunnen leiden tot verlies van controle over het gereedschap.
7. **Met een spil gemonteerde accessoires moeten volledig in de spankop of klembus worden gestoken.** Als de spil onvoldoende wordt vastgehouden en/of het bit te ver uitsteekt, kan het aangebrachte accessoire losraken en met hoge snelheid worden weggeworpen.
8. **Gebruik nooit een beschadigde accessoire. Inspecteer het accessoire vóór ieder gebruik, bijvoorbeeld een slijpschijf op ontbrekende**

- schilfers en barsten. Nadat het elektrisch gereedschap is gevallen, inspecteert u het op schade of brengt u een onbeschadigd accessoire aan. Na inspectie en aanbrengen van een accessoire, zorgt u ervoor dat u en omstanders niet in het rotatievlak van het accessoire staan, en laat u het elektrisch gereedschap draaien op het maximale nullasttoerental gedurende één minuut. Beschadigde accessoires breken normaal gesproken in stukken gedurende deze testduur.**
9. **Draag persoonlijke beschermingsmiddelen. Afhankelijk van de toepassing gebruikt u een spat scherm, een beschermende bril of een veiligheidsbril. Al naar gelang de toepassing draagt u een stofmasker, gehoorbeschermers, handschoenen en een werkschoort die in staat zijn kleine stukjes slijpsel of werkstukfragmenten te weerstaan.** De oogbescherming moet in staat zijn rondvliegend afval te stoppen dat ontstaat bij de diverse werkzaamheden. Het stofmasker of ademhalingsapparaat moet in staat zijn deeltjes te filteren die ontstaan bij de werkzaamheden. Langdurige blootstelling aan zeer intens geluid kan leiden tot gehoorbeschadiging.
  10. **Houd omstanders op veilige afstand van het werkgebied. Iedereen die zich binnen het werkgebied begeeft, moet persoonlijke beschermingsmiddelen gebruiken.** Fragmenten van het werkstuk of van een uiteengevallen accessoire kunnen rondvliegen en letsel veroorzaken buiten de onmiddellijke werkomgeving.
  11. **Houd elektrisch gereedschap uitsluitend vast aan het geïsoleerde oppervlak van de handgrepen wanneer u werkt op plaatsen waar het slijpaccessoire met verborgen bedrading of zijn eigen snoer in aanraking kan komen.** Wanneer het slijpaccessoire in aanraking komt met onder spanning staande draden, zullen de niet-geïsoleerde metalen delen van het gereedschap onder spanning komen te staan zodat de gebruiker een elektrische schok kan krijgen.
  12. **Houd het gereedschap altijd stevig in uw hand(en) vast tijdens het inschakelen.** Het reactiekoppel van de motor, bij het versnellen naar volledig toerental, kan ertoe leiden dat het gereedschap verdraait.
  13. **Gebruik, indien dit praktisch mogelijk is, klemmen om het werkstuk vast te zetten. Houd een klein werkstuk nooit in één hand vast en het gereedschap in de andere hand terwijl het in gebruik is.** Door een klein werkstuk vast te klemmen kunt u uw hand(en) gebruiken om het gereedschap te controleren. Rond materiaal, zoals stangen, pijpen en slangen, neigen weg te rollen tijdens het doorslijpen, waardoor het bit kan vastlopen of naar u toe kan springen.
  14. **Houd het snoer goed uit de buurt van het ronddraaiende accessoire.** Als u de controle over het gereedschap verliest, kan het snoer worden doorgesneden of bekneld raken, en kan uw hand of arm tegen het ronddraaiende accessoire worden getrokken.
  15. **Leg het elektrisch gereedschap nooit neer voordat het accessoire volledig tot stilstand is gekomen.** Het ronddraaiende accessoire kan de ondergrond pakken zodat u de controle over het elektrisch gereedschap verliest.
  16. **Na het verwisselen van het bit of maken van afstellingen, controleert u of de spankopmoer, klembus of enige andere afstelrichting stevig vastgedraaid is.** Loszittende afstelrichtingen kunnen zich onverwacht verplaatsen, waardoor u de controle kunt verliezen en loszittende, draaiende componenten met geweld kunnen worden weggegooid.
  17. **Laat het elektrisch gereedschap niet draaien terwijl u het naast u draagt.** Als het ronddraaiende accessoire u per ongeluk raakt, kan het verstrikt raken in uw kleding waardoor het accessoire in uw lichaam wordt getrokken.
  18. **Maak de ventilatieopeningen van het gereedschap regelmatig schoon.** De ventilator van de motor zal het stof de behuizing in trekken, en een grote opeenhoping van metaalslijpsel kan leiden tot elektrisch gevaarlijke situaties.
  19. **Gebruik het elektrisch gereedschap niet in de buurt van brandbare materialen.** Vonken kunnen deze materialen doen ontvlammen.
  20. **Gebruik geen accessoires die met vloeistof moeten worden gekoeld.** Het gebruik van water of andere vloeibare koelmiddelen kan leiden tot elektrocutie of elektrische schokken.
- Terugslag en aanverwante waarschuwingen**
- Terugslag is een plotselinge reactie op een bekneld of vastgelopen draaiend accessoire. Beknellen of vastlopen veroorzaakt een snelle stilstand van het draaiende accessoire wat op zijn beurt ertoe leidt dat het elektrisch gereedschap zich ongecontroleerd beweegt in de tegenovergestelde richting van de draairichting van het accessoire.
- Bijvoorbeeld, als een slijpschijf bekneld raakt of vastloopt in het werkstuk, kan de rand van de schijf die het beknellingspunt ingaat, zich invreten in het oppervlak van het materiaal waardoor de schijf eruit klimt of eruit slaat. De schijf kan daarbij naar de gebruiker toe of weg springen, afhankelijk van de draairichting van de schijf op het beknellingspunt. Slijpschijven kunnen in dergelijke situaties ook breken.
- Terugslag is het gevolg van misbruik van het elektrisch gereedschap en/of onjuiste gebruiksprocedures of -omstandigheden, en kan worden voorkomen door goede voorzorgsmaatregelen te treffen, zoals hieronder vermeld:
- a) **Houd het gereedschap stevig vast en houdt uw armen en lichaam zodanig dat u in staat bent een terugslag op te vangen.** De gebruiker kan de kracht van een terugslag opvangen indien de juiste voorzorgsmaatregelen zijn getroffen.
  - b) **Wees bijzonder voorzichtig bij het werken met hoeken, scherpe randen, enz. Voorkom dat het accessoire springt of bekneld raakt.** Hoeken, scherpe randen of springen veroorzaken vaak beknellen van het draaiende accessoire wat leidt tot terugslag of verlies van controle over het gereedschap.
  - c) **Breng geen getand zaagblad aan.** Dergelijke accessoires leiden vaak tot terugslag of verlies van controle over het gereedschap.

d) Zet het bit altijd in het materiaal in dezelfde richting waarin de snijkant het materiaal verlaat (wat dezelfde richting is waarin de materiaaldeeltes worden weggevoerd). Wanneer het gereedschap in de verkeerde richting wordt aangezet, zal de snijkant van het bit uit het materiaal klimmen en het gereedschap in de richting van deze aanzet trekken.

#### Veiligheidswaarschuwingen specifiek voor slijpwerkzaamheden:

- a) Gebruik uitsluitend schijven van het type aanbevolen voor uw elektrisch gereedschap en uitsluitend voor de aanbevolen toepassingen.
- b) Plaats uw hand niet in één lijn achter het ronddraaiende bit. Wanneer het bit, op het aanzetpunt in het werkstuk, zich van uw hand af beweegt, kunnen door de mogelijke terugslag de ronddraaiende schijf en het elektrisch gereedschap in uw richting worden geworpen.

#### Aanvullende veiligheidswaarschuwingen:

21. Het gereedschap is bedoeld voor gebruik met gelijmde slijpschijf-opzetzelen (slijpstenen) die permanent zijn aangebracht op een gladde spil (schacht) zonder schroefdraad.
22. Zorg ervoor dat het bit niet in aanraking is met het werkstuk voordat u het gereedschap hebt ingeschakeld.
23. Laat het gereedschap een tijdje draaien voordat u het op het werkstuk gebruikt. Controleer op trillingen of schommelingen die op onjuiste montage of een slecht uitgebalanceerde bit kunnen wijzen.
24. Gebruik de aangegeven kant van het bit om mee te slijpen.
25. Wees alert op rondvliegende vonken. Houd het gereedschap zodanig vast dat de vonken wegvliegen van u en andere personen of brandbare materialen.
26. Laat het gereedschap niet ingeschakeld liggen. Bedien het gereedschap alleen wanneer u het vasthoudt.
27. Raak het werkstuk niet onmiddellijk na bewerking aan. Het kan bijzonder heet zijn en brandwonden op uw huid veroorzaken.
28. Houd u aan de instructies van de fabrikant voor het juist aanbrengen en gebruiken van de bits. Behandel en bewaar de bits zorgvuldig.
29. Controleer of het werkstuk goed wordt ondersteund.
30. Als de werkruimte bijzonder heet en vochtig is, of sterk vervuild is met geleidend stof, gebruik dan een kortsluitonderbreker (30 mA) om de veiligheid van de gebruiker te garanderen.
31. Gebruik het gereedschap niet op materiaal dat asbest bevat.
32. Zorg er altijd voor dat u stevig staat. Bij gebruik van het gereedschap op een hoge plaats dient u ervoor te zorgen dat niemand beneden u aanwezig is.

## BEWAAR DEZE INSTRUCTIES



### WAARSCHUWING:

Laat u NIET misleiden door een vals gevoel van comfort en bekendheid met het gereedschap (na veelvuldig gebruik) en neem alle veiligheidsvoorschriften van het betreffende product altijd strikt in acht. VERKEERD GEBRUIK of het niet volgen van de veiligheidsinstructies in deze gebruiksaanwijzing kan leiden tot ernstig persoonlijk letsel.

## BESCHRIJVING VAN DE FUNCTIES

### LET OP:

- Controleer altijd of het gereedschap is uitgeschakeld en de stekker "uit" (OFF) het stopcontact is getrokken alvorens de functies van het gereedschap te controleren of af te stellen.

### Aan/uit-schakelaar (zie afb. 1)

#### LET OP:

- Controleer altijd, voordat u het gereedschap aansluit op het elektriciteitsnet, of de schuifknop op de juiste manier schakelt en weer terugkeert naar de uit-stand, wanneer achter op de schuifknop wordt gedrukt. Om het gereedschap in te schakelen, schuift u de schuifknop naar de stand "I" (ON). Om het gereedschap continu te laten werken, drukt u op de voorkant van de aan/uit-schakelaar om deze te vergrendelen. Om het gereedschap te stoppen, drukt u op het achterste gedeelte van de schuifknop en schuift u deze naar de positie "O" (uit).

## ONDERDELEN AANBRENGEN/ VERWIJDEREN

#### LET OP:

- Controleer altijd of het gereedschap is uitgeschakeld en de stekker uit het stopcontact is getrokken alvorens enige werk aan het gereedschap uit te voeren.

### Het bit aanbrengen en verwijderen (zie afb. 2)

Draai de spankopmoer los en steek het bit in de spankopmoer. Gebruik de ene steeksleutel om de as op zijn plaats te houden en de andere om de spankopmoer stevig aan te draaien.

De as van het bit mag niet meer dan 10 mm uit de spankopmoer steken. Als deze afstand groter wordt, kunnen trillingen ontstaan of de as van het bit breken. (zie afb. 3)

Om het bit te verwijderen, volgt u de procedure in omgekeerde volgorde.

#### LET OP:

- Gebruik de juiste maat spankop voor het bit dat u wilt gebruiken.

## BEDIENING (zie afb. 4)

Schakel het gereedschap in zonder dat het bit het werkstuk raakt en wacht tot het bit op volle snelheid

draait. Plaats vervolgens voorzichtig het bit op het werkstuk. Beweeg het gereedschap langzaam naar links voor een mooi resultaat.

#### LET OP:

- Oefen slechts lichte druk uit op het gereedschap. Een te hoge druk op het gereedschap leidt slechts tot een slecht resultaat en overbelasting van de motor.

## ONDERHOUD

#### LET OP:

- Zorg er altijd voor dat het gereedschap is uitgeschakeld en de stekker uit het stopcontact is getrokken, voordat u een inspectie of onderhoud uitvoert.
- Gebruik nooit benzine, wasbenzine, thinner, alcohol, enz. Dit kan leiden tot verkleuren, vervormen of barsten.

Om de VEILIGHEID en BETROUWBAARHEID van het gereedschap te handhaven, dienen alle reparaties, controle en vervanging van de koolborstels, onderhoud en afstellingen te worden uitgevoerd door een erkend Makita-servicecentrum, en altijd met gebruikmaking van originele Makita-vervangingsonderdelen.

## VERKRIJGBARE ACCESSOIRES

#### LET OP:

- Deze accessoires of hulpstukken worden aanbevolen voor gebruik met het Makita-gereedschap dat in deze gebruiksaanwijzing wordt beschreven. Het gebruik van andere accessoires of hulpstukken kan gevaar voor persoonlijk letsel opleveren. Gebruik de accessoires of hulpstukken uitsluitend voor de aangegeven gebruiksdoeleinden.

Mocht u meer informatie willen hebben over deze accessoires, dan kunt u contact opnemen met uw plaatselijke Makita-servicecentrum.

- Bits
- Set spankoppen (3 mm, 6 mm, 8 mm, 1/4", 1/8")
- Steeksleutel 13
- Zijhandgreepset

### Zijhandgreep (zie afb. 5)

Als u de zijhandgreep wilt gebruiken, verwijdert u eerst de rubberen beschermdop, steekt u daarna de punt van de zijhandgreep zo ver mogelijk in de schroefdraadopening van het gereedschap, en verdraait u vervolgens de zijhandgreep naar de gewenste bedieningshoek. Tenslotte draait u de zijhandgreep stevig vast door deze rechtsom te draaien.

#### LET OP:

- Als u het gereedschap zonder de zijhandgreep wilt gebruiken, plaatst u de rubberen beschermdop terug op het gereedschap.
- Bij het terugplaatsen van de rubberen beschermdop, duwt u deze zodanig op het gereedschap dat het uitsteeksel aan de binnenkant van de rubberen dop op zijn plaats zit in de groef in het gereedschap.

#### OPMERKING:

- Sommige items op de lijst kunnen zijn inbegrepen in de doos van het gereedschap als standaard toebehoren. Zij kunnen van land tot land verschillen.

## Geluid

ENG905-1

De typische, A-gewogen geluidsniveaus zijn gemeten volgens EN60745:

Geluidsdrukniveau ( $L_{pA}$ ): 76 dB (A)

Onzekerheid (K): 3 dB (A)

Het geluidsniveau kan tijdens gebruik hoger worden dan 80 dB (A).

### Draag gehoorbescherming.

## Trilling

ENG900-1

De totale trillingswaarde (triaxiale vectorsom) zoals vastgesteld volgens EN60745:

Gebruikstoepassing: slijpen van oppervlakken

Trillingsemisatie ( $a_{h,SG}$ ): 2,5 m/s<sup>2</sup>

Onzekerheid (K): 1,5 m/s<sup>2</sup>

ENG902-1

- De opgegeven trillingsemisiewaarde is gemeten volgens de standaardtestmethode en kan worden gebruikt om dit gereedschap te vergelijken met andere gereedschappen.
- De opgegeven trillingsemisiewaarde kan ook worden gebruikt voor een beoordeling vooraf van de blootstelling.
- De opgegeven trillingsemisiewaarde wordt gebruikt bij veel toepassingen van het elektrisch gereedschap. Echter, indien het elektrisch gereedschap wordt gebruikt bij andere toepassingen, dan kan de trillingsemisiewaarde anders zijn.

#### WAARSCHUWING:

- De trillingsemisatie tijdens het gebruik van het elektrisch gereedschap in de praktijk kan verschillen van de opgegeven trillingsemisiewaarde afhankelijk van de manier waarop het gereedschap wordt gebruikt.
- Zorg ervoor dat veiligheidsmaatregelen worden getroffen ter bescherming van de operator die zijn gebaseerd op een schatting van de blootstelling onder praktijkomstandigheden (rekening houdend met alle fasen van de bedrijfscyclus, zoals de tijdsduur gedurende welke het gereedschap is uitgeschakeld en stationair draait, naast de ingeschakelde tijdsduur).

### EU-verklaring van conformiteit

#### **Aleen voor Europese landen**

De EU-verklaring van conformiteit is opgenomen als Bijlage A in deze instructiehandleiding.

# ESPAÑOL (Instrucciones originales)

## Descripción y visión general

1. Interruptor deslizante
2. Llave 13
3. Tuerca de pinza
4. Empuñadura lateral

## ESPECIFICACIONES

Modelo		GD0602
Capacidad máxima de la pinza		8 mm
Muela	Diámetro máximo del disco	38 mm
	Longitud máx. del mandril (vástago)	46 mm
Velocidad nominal (n)/Velocidad en vacío (n <sub>0</sub> )		25.000 min <sup>-1</sup>
Longitud total		264 mm
Peso neto		1,4 kg
Clase de seguridad		□/II

- Debido a nuestro programa continuo de investigación y desarrollo, las especificaciones aquí descritas están sujetas a cambios sin previo aviso.
- Las especificaciones pueden ser diferentes de un país a otro.
- Peso de acuerdo con el procedimiento EPTA 01/2003

### Uso previsto ENE050-1

Esta herramienta está diseñada para amolar materiales férricos o desbarbar piezas moldeadas.

### Alimentación ENF002-2

La herramienta debe conectarse solamente a una fuente de alimentación de la misma tensión que la indicada en la placa de características, y sólo puede funcionar con corriente alterna monofásica. La herramienta cuenta con un doble aislamiento y puede, por lo tanto, usarse también en tomacorrientes sin conductor de tierra.

## Advertencias de seguridad generales para herramientas eléctricas

GEA010-1

**⚠ ADVERTENCIA** Lea todas las advertencias de seguridad y todas las instrucciones. La no observancia de las advertencias y las instrucciones puede provocar descargas eléctricas, incendios y/o lesiones graves.

## Guarde todas las advertencias e instrucciones para futuras consultas.

## ADVERTENCIAS DE SEGURIDAD DE LA AMOLADORA RECTA GEB034-9

### Advertencias de seguridad para operaciones de amolado:

1. **Esta herramienta eléctrica está prevista para ser utilizada como una amoladora. Lea todas las advertencias de seguridad, instrucciones, ilustraciones y especificaciones suministradas con esta herramienta eléctrica.** No seguir todas las instrucciones que se indican a continuación podría provocar una descarga eléctrica, incendio y/o heridas graves.
2. **No se recomienda utilizar esta herramienta eléctrica para operaciones tales como lizar, cepillar con alambre, pulir o cortar.** El uso de esta herramienta eléctrica para realizar operaciones para las que no ha sido diseñada puede resultar peligroso y ocasionar daños personales.
3. **No utilice accesorios diferentes de aquellos que el fabricante haya diseñado o recomendado especialmente para esta herramienta.** El hecho de que el accesorio pueda montarse en la herramienta eléctrica no garantiza que sea seguro.
4. **Las revoluciones nominales del accesorio deben ser como mínimo iguales a la velocidad máxima indicada en la herramienta eléctrica.** Si un accesorio se mueve a una velocidad mayor a la admisible, podría romperse y salir despedido.
5. **El diámetro exterior y el grosor del accesorio deben encontrarse dentro de la capacidad de la herramienta eléctrica.** Los accesorios de tamaño incorrecto no pueden controlarse correctamente.
6. **Los orificios de los accesorios deben encajar correctamente con el mandril de la herramienta eléctrica.** Los accesorios que no coincidan con los mecanismos de rosca de la herramienta eléctrica funcionarán desequilibrados, vibrarán excesivamente y pueden provocar una pérdida de control.
7. **Los accesorios montados en el mandril se deben insertar completamente en el casquillo de apriete o la pinza de sujeción.** Si el mandril no está suficientemente sujeto y/o el voladizo del disco es demasiado largo, el accesorio montado puede aflojarse y salir despedido a gran velocidad.
8. **No utilice accesorios dañados. Antes de cada uso inspeccione los accesorios con el fin de detectar, por ejemplo, si un disco abrasivo está astillado o agrietado. Si se cae la herramienta eléctrica o el accesorio, compruebe si ha sufrido algún daño o monte un accesorio en buen estado. Una vez revisado y montado un accesorio, colóquense usted y las personas circundantes fuera del plano**

**de rotación del accesorio y deje funcionar la herramienta eléctrica en vacío a velocidad máxima durante un minuto.** Por norma general, los accesorios que están dañados se rompen durante este tipo de prueba.

9. **Utilice un equipo de protección personal.** Dependiendo del trabajo, utilice una careta, protección para los ojos o gafas de seguridad. Si fuera necesario, utilice una mascarilla antipolvo, protectores auditivos, guantes y un mandil adecuado para protegerse de los pequeños fragmentos que pudieran salir proyectados. Las gafas de protección deberán ser indicadas para detener los pequeños fragmentos que pudieran salir proyectados al trabajar. La mascarilla antipolvo o respiratoria debe ser apta para filtrar las partículas producidas al trabajar. Una exposición prolongada al ruido puede producir pérdidas auditivas.
10. **Encárguese de que todas las personas se mantengan a suficiente distancia de la zona de trabajo. Toda persona que acceda a la zona de trabajo deberá utilizar equipo de protección personal.** Podría sufrir daños, incluso fuera del área de trabajo inmediata, al salir proyectados fragmentos de la pieza de trabajo o del accesorio.
11. **Sujete la herramienta eléctrica sólo por las superficies de agarre aisladas al realizar una operación en que el accesorio de corte pueda entrar en contacto con cables ocultos o con su propio cable.** Si entra en contacto con un cable con corriente, puede que las piezas metálicas expuestas de la herramienta eléctrica se carguen también de corriente y que el operario reciba una descarga.
12. **Sujete siempre la herramienta firmemente en su(s) mano(s) durante la puesta en marcha.** El par de reacción del motor, cuando se acelera a plena velocidad, puede hacer que la herramienta gire.
13. **Use abrazaderas para sujetar la pieza de trabajo cuando resulte práctico. Nunca sujete una pieza de trabajo pequeña en una mano y la herramienta en la otra durante el uso.** La sujeción de una pieza de trabajo pequeña con abrazaderas permite usar la(s) mano(s) para controlar la herramienta. Los materiales redondeados, como rodillos, tubos o tuberías tienen tendencia a rodar cuando se cortan y pueden hacer que el disco se encalle o salte hacia usted.
14. **Mantenga el cable alejado del accesorio en funcionamiento.** En caso de perder el control, el cable de red podría enredarse o cortarse con el accesorio que gira y arrastrar de esta forma su mano hacia el mismo.
15. **Jamás deposite la herramienta eléctrica hasta que el accesorio se haya detenido por completo.** El accesorio en funcionamiento podría entrar en contacto con la superficie de apoyo y hacerle perder el control sobre la herramienta eléctrica.
16. **Tras cambiar los discos o realizar ajustes, asegúrese de que la tuerca del casquillo de apriete, la pinza de sujeción o cualquier otro dispositivo de ajuste se haya apretado firmemente.** Los dispositivos de ajuste sueltos pueden desplazarse de forma inesperada,

provocando la pérdida de control, los componentes que giran sueltos saldrán despedidos violentamente.

17. **No deje funcionar la herramienta eléctrica mientras la transporta.** El contacto accidental con el accesorio en funcionamiento podría enganchar su ropa y tirar del accesorio hacia su cuerpo.
18. **Limpié periódicamente los orificios de ventilación de la herramienta.** El ventilador del motor aspira polvo hacia el interior de la carcasa y, en caso de acumularse un exceso de polvo metálico, podría provocar una descarga eléctrica.
19. **No utilice la herramienta eléctrica cerca de materiales inflamables.** Las chispas podrían inflamarlos.
20. **No emplee accesorios que requieran ser refrigerados con líquidos.** El uso de agua u otros refrigerantes líquidos puede provocar una descarga o electrocución.

### **Contragolpes y advertencias al respecto**

El contragolpe es una reacción brusca que se produce al atascarse o engancharse un accesorio que gira. Al engancharse o pellizcarse el accesorio en funcionamiento, éste es frenado bruscamente y puede hacer perder el control sobre la herramienta eléctrica, impulsándola en la dirección opuesta al sentido de giro que tenía el accesorio.

Por ejemplo, si un disco abrasivo se atasca o engancha en la pieza de trabajo, puede suceder que el borde del accesorio que entra en el material quede bloqueado, provocando la rotura del accesorio o un contragolpe. Según el sentido de giro del disco en el momento de bloquearse, puede que este resulte despedido en dirección al operario o en sentido opuesto. En este caso también puede suceder que los discos abrasivos se rompan.

El contragolpe es el resultado de un mal uso de la herramienta eléctrica o de condiciones o procedimientos de uso incorrectos y se puede evitar tomando las precauciones que se indican a continuación.

- a) **Sujete con firmeza la herramienta eléctrica y mantenga su cuerpo y brazos en una posición que le permita resistir los contragolpes.** El operario puede controlar las fuerzas derivadas del contragolpe si toma las medidas oportunas.
- b) **Preste especial atención al trabajar en esquinas, bordes afilados, etc. Evite que el accesorio rebote o se atasque.** En las esquinas, bordes afilados, o al rebotar, el accesorio en funcionamiento tiende a atascarse y puede provocar la pérdida de control o un contragolpe.
- c) **No acople un disco de sierra con dientes.** Estos discos son propensos al contragolpe y pueden hacerle perder el control.
- d) **Aplique siempre el disco sobre el material en la misma dirección en la que el borde de corte sale del material (que es la dirección en la que las virutas salen despedidas).** Si la herramienta entra en contacto con el material en la dirección incorrecta, el borde de corte del disco escalará la pieza y tirará de la herramienta en la dirección en la que ha entrado en contacto.



## Advertencias de seguridad específicas para amolar:

- a) Utilice únicamente tipos de discos recomendados para su herramienta eléctrica y solo para las aplicaciones recomendadas.
- b) **No coloque su mano en línea ni detrás del disco en funcionamiento.** Cuando el disco está en funcionamiento y se mueve en dirección opuesta a su mano, un contragolpe podría proyectar el disco y la herramienta en dirección a usted.

## Advertencias de seguridad adicionales:

21. La herramienta se ha diseñado para su uso con muelas abrasivas con aglomerante (piedras de amolar) montadas permanentemente en mandriles (vástagos) normales sin rosca
22. Asegúrese de que el disco no esté tocando la pieza de trabajo antes de activar el interruptor.
23. Antes de utilizar la herramienta en la pieza de trabajo definitiva, déjala funcionar durante un rato. Esté atento por si se producen vibraciones u oscilaciones, lo que indicaría que el disco no se ha instalado correctamente o que está mal equilibrado.
24. Para realizar las tareas de esmerilado, use la superficie del disco especificada.
25. Tenga cuidado con las chispas que saltan. Sostenga la herramienta de modo que las chispas no salten hacia usted ni hacia otras personas o materiales inflamables.
26. No deje la herramienta encendida. Póngala en marcha solamente cuando la tenga en las manos.
27. No toque la pieza de trabajo inmediatamente después de la tarea, ya que puede estar extremadamente caliente y producir quemaduras en la piel.
28. Observe las instrucciones del fabricante para montar y utilizar correctamente los discos. Maneje y guarde con cuidado los discos.
29. Compruebe que la pieza de trabajo esté bien sujeta.
30. Si el lugar de trabajo es muy caluroso y húmedo, o si está muy contaminado con polvo conductor, utilice un disyuntor de cortocircuito (30 mA) para garantizar la seguridad del operario.
31. No utilice la herramienta con ningún material que contenga amianto.
32. Colóquese siempre en una posición bien equilibrada. Si utiliza la herramienta en una ubicación elevada, asegúrese de que nadie se encuentre debajo.

## GUARDE ESTAS INSTRUCCIONES.

### ADVERTENCIA:

**NO** deje que la comodidad o la familiaridad con el producto (a base de utilizarlo repetidamente) sustituyan la estricta observancia de las normas de seguridad del producto en cuestión. El **MAL USO** o la no observancia de las normas de seguridad expuestas en este manual de instrucciones pueden ocasionar graves daños corporales.

## DESCRIPCIÓN DEL FUNCIONAMIENTO

### PRECAUCIÓN:

- Asegúrese siempre de que la herramienta esté apagada y desenchufada antes de intentar realizar cualquier tipo de ajuste o comprobación en ella.

### Funcionamiento del interruptor (Fig. 1)

### PRECAUCIÓN:

- Antes de enchufar la herramienta, asegúrese siempre de que el interruptor deslizante funcione como es debido y que vuelva a la posición "OFF" (apagado) al ejercer presión sobre la parte posterior del interruptor deslizante.

Para poner la herramienta en marcha, deslice el interruptor deslizante hasta la posición "I (Encendido)". Para un uso continuo, presione la parte delantera del interruptor deslizante para bloquearlo. Para detener la herramienta, presione la parte posterior del interruptor deslizante y, a continuación, deslicelo hacia la posición "O (Apagado)".

## MONTAJE

### PRECAUCIÓN:

- Asegúrese siempre de que la herramienta esté apagada y desenchufada antes de intentar realizar cualquier trabajo en ella.

### Instalación o extracción de la muela (Fig. 2)

Afloje la tuerca de pinza e inserte la muela en la tuerca de pinza. Utilice una llave para sujetar el eje y otra llave para apretar la tuerca de pinza firmemente.

La muela no debe montarse a más de 10 mm desde la tuerca de pinza. Si se sobrepasa la distancia se pueden producir vibraciones o se puede romper el eje. (Fig. 3) Para extraer la muela, siga el procedimiento de instalación en orden inverso.

### PRECAUCIÓN:

- Utilice el tamaño correcto del cono del collar para la muela que va a usar.

### MANEJO (Fig. 4)

Encienda la herramienta sin que la muela esté en contacto con la pieza de trabajo y espere hasta que la muela alcance la velocidad máxima. A continuación, aplique la muela a la pieza de trabajo suavemente. Para lograr un buen acabado, mueva la herramienta hacia la izquierda lentamente.

### PRECAUCIÓN:

- Aplique una ligera presión sobre la herramienta. Una presión excesiva sobre la herramienta sólo logrará un pobre acabado y una sobrecarga del motor.

## MANTENIMIENTO

### PRECAUCIÓN:

- Asegúrese siempre de que la herramienta esté apagada y desenchufada antes de intentar realizar

cualquier trabajo de inspección o mantenimiento en ella.

- Nunca utilice gasolina, benceno, disolvente, alcohol o un producto similar. Se puede provocar una decoloración, una deformación o grietas.

Para conservar la SEGURIDAD y la FIABILIDAD del producto, los trabajos de reparación, la inspección y la sustitución de las escobillas de carbón, así como otros trabajos de mantenimiento y ajuste, deberán ser realizados en centros de servicio autorizados de Makita, utilizando siempre piezas de repuesto de Makita.

## ACCESORIOS OPCIONALES

### ⚠ PRECAUCIÓN:

- Se recomienda el uso de estos accesorios o complementos con la herramienta Makita especificada en este manual. El uso de otros accesorios o complementos puede conllevar el riesgo de ocasionar daños corporales. Utilice los accesorios o complementos solamente para su fin establecido.

Si necesita cualquier ayuda para obtener más información relativa a estos accesorios, pregunte a su centro de servicio Makita local.

- Muelas
- Conjunto de conos del collar (3 mm, 6 mm, 8 mm, 1/4", 1/8")
- Llave 13
- Conjunto de la empuñadura lateral

### Empuñadura lateral (Fig. 5)

Cuando utilice la empuñadura lateral, extraiga el protector de goma, inserte la empuñadura lateral en el portaherramientas y gírela lo máximo posible hasta el ángulo deseado. A continuación, apriete la empuñadura firmemente girándola en el sentido de las agujas del reloj.

### PRECAUCIÓN:

- Cuando utilice la herramienta sin empuñadura, monte siempre el protector de goma en la herramienta.
- Cuando monte el protector de goma, empújelo para insertarlo en la herramienta hasta que el saliente de la goma encaje en la ranura de la herramienta.

### NOTA:

- Algunos elementos de la lista se pueden incluir en el paquete de la herramienta como accesorios estándar. Pueden ser diferentes de un país a otro.

### Ruido

ENG905-1

Niveles típicos de ruido ponderado A determinados conforme a EN60745:

Nivel de presión de sonido ( $L_{pA}$ ): 76 dB (A)

Incertidumbre (K): 3 dB (A)

El nivel de ruido durante el trabajo puede superar los 80 dB (A).

#### Utilice protección para los oídos.

### Vibración

ENG900-1

Valor total de la vibración (suma de vectores triaxiales) determinada según el estándar EN60745:

Modo de trabajo: amolado de superficies

Emisión de vibraciones ( $a_{h,SG}$ ): 2,5 m/s<sup>2</sup>

Incertidumbre (K): 1,5 m/s<sup>2</sup>

- El valor de emisión de vibraciones se ha medido de acuerdo con el método de prueba estándar y se puede utilizar para comparar herramientas.
- El valor de emisión de vibraciones declarado también se puede usar en una evaluación preliminar de la exposición.
- El valor de emisión de vibraciones declarado se usa para las aplicaciones principales de la herramienta eléctrica. No obstante, si se utiliza la herramienta eléctrica para otras aplicaciones, el valor de emisión de vibraciones puede ser diferente.

### ⚠ ADVERTENCIA:

- La emisión de vibraciones durante el uso de la herramienta eléctrica puede diferir del valor de emisiones declarado, dependiendo de las formas en que se utiliza la herramienta.
- Asegúrese de identificar las mediciones correctas para proteger al operario, que se basan en una estimación de la exposición en condiciones de uso reales (teniendo en cuenta todas las partes del ciclo de operaciones, como los momentos en los que la herramienta está apagada y cuando funciona al ralentí además del tiempo en que está activado el interruptor).

### Declaración de conformidad de la CE

#### Sólo para países europeos

La Declaración de conformidad de la CE se incluye como Anexo A en este manual de instrucciones.

# PORTUGUÊS (Instruções de origem)

## Descrição geral

1. Interruptor deslizante
2. Chave 13
3. Porca de aperto
4. Pega lateral

## ESPECIFICAÇÕES

Modelo		GD0602
Capacidade máxima de aperto		8 mm
Ponta do acessório	Diâmetro máximo do acessório	38 mm
	Comprimento máx. do mandril (haste)	46 mm
Velocidade nominal (n)/Velocidade sem carga (n <sub>0</sub> )		25.000 min <sup>-1</sup>
Comprimento total		264 mm
Peso líquido		1,4 kg
Classe de segurança		□/II

- Devido à pesquisa e desenvolvimento constantes, estas especificações estão sujeitas a alteração sem aviso prévio.
- Estas especificações podem diferir de país para país.
- Peso de acordo com procedimento EPTA de 01/2003

### Utilização prevista ENE050-1

A ferramenta destina-se a afiar materiais ferrosos ou limar moldes.

### Fonte de alimentação ENF002-2

A ferramenta apenas deve ser ligada a uma fonte de alimentação da mesma tensão que a indicada na chapa de especificações, e apenas pode funcionar com uma alimentação CA monofásica. Estão blindadas duplamente e podem, assim, ser igualmente ligadas a tomadas sem fio terra.

## Avisos gerais de segurança para ferramentas eléctricas GEA010-1

**⚠ AVISO** Leia todos os avisos de segurança e todas as instruções. O não cumprimento dos avisos e instruções pode resultar na ocorrência de choques eléctricos, incêndios e/ou ferimentos graves.

## Guarde todos os avisos e instruções para referência futura.

## AVISOS DE SEGURANÇA DA RETIFICADORA RETA GEB034-9

**Avisos de segurança comuns a operações que envolvem retificar:**

1. Esta ferramenta eléctrica destina-se a funcionar como retificadora. Leia todos os avisos, instruções, ilustrações e especificações de segurança fornecidos juntamente com a ferramenta eléctrica. Caso não siga todas as instruções indicadas em baixo, poderão ocorrer choques eléctricos, incêndios e/ou ferimentos graves.
2. Não é recomendada a utilização desta ferramenta eléctrica para determinadas operações, como, por exemplo, lixar, escovar com arame, polir ou cortar. Operações para as quais a ferramenta eléctrica não foi

concebida podem criar perigos e causar ferimentos pessoais.

3. **Não utilize acessórios que não sejam especificamente concebidos e recomendados pelo fabricante da ferramenta.** Mesmo que o acessório encaixe na ferramenta eléctrica, isso não garante um funcionamento seguro.
4. **A velocidade nominal do acessório deve ser, no mínimo, igual à velocidade máxima marcada na ferramenta eléctrica.** Os acessórios a funcionar mais rapidamente do que a velocidade nominal podem quebrar e sair projetados.
5. **O diâmetro exterior e a espessura do acessório deve estar dentro da capacidade nominal da ferramenta.** Os acessórios com tamanhos incorretos não podem ser controlados adequadamente.
6. **O tamanho do alojamento dos acessórios deve encaixar adequadamente na pinça de fixação da ferramenta.** Os acessórios que não correspondem ao hardware de montagem da ferramenta eléctrica vão ficar desequilibrados, vibrar excessivamente e podem causar perda de controlo.
7. **Os acessórios montados no mandril têm de estar totalmente inseridos na pinça de fixação ou mancal.** Se o mandril não estiver bem seguro e/ou a saliência do disco for demasiado longa, o acessório montado pode ficar solto e ser ejetado a alta velocidade.
8. **Não utilize um acessório danificado.** Inspeccione o acessório antes de cada utilização, por exemplo, verificar se os discos abrasivos estão lascados ou rachados. Se a ferramenta ou acessório cair, inspeccione por danos ou instale um acessório não danificado. Depois de inspecionar e instalar um acessório, afaste-se e afaste outras pessoas na proximidade do plano do acessório rotativo e ligue a ferramenta eléctrica na velocidade máxima sem carga durante um minuto. Normalmente, os acessórios danificados partem-se durante este teste.
9. **Use equipamento de protecção pessoal.** Consoante a aplicação, use protecção para a cara ou óculos de

- segurança. Quando necessário, use uma máscara anti-poeira, protetores para os ouvidos, luvas e uma bata de trabalho que consigam deter fragmentos pequenos e abrasivos.** A proteção dos olhos deve ser capaz de parar detritos projetados gerados por várias utilizações. A máscara de pó ou respirador deve conseguir filtrar partículas geradas pela operação que estiver a efetuar. Uma exposição prolongada a ruído de alta intensidade pode causar perda de audição.
10. **Mantenha as pessoas presentes a uma distância segura da área de trabalho. Qualquer pessoa que entre na área de trabalho deve usar equipamento pessoal de proteção.** Os fragmentos da peça de trabalho ou de um acessório partido podem ser projetados e causar ferimentos para além da área imediata da operação.
  11. **Quando executar operações em que acessórios de corte possam entrar em contacto com fios elétricos ocultos ou com próprio cabo elétrico da ferramenta, tenha o cuidado de tocar apenas nas superfícies isoladas desses acessórios.** O acessório de corte em contacto com um fio elétrico ligado à corrente pode eletrificar as peças de metal da ferramenta e provocar um choque.
  12. **Segure sempre bem a ferramenta nas mãos durante o arranque.** O binário de reação do motor, à medida que acelera até à velocidade máxima, pode causar torção na ferramenta.
  13. **Utilize grampos para fixar a peça de trabalho sempre que for prático. Nunca segure uma peça de trabalho pequena com uma mão e a ferramenta na outra mão durante a utilização.** Fixar uma peça de trabalho pequena permite utilizar as mãos para controlar a ferramenta. O material redondo como hastes de cavilha, tubos ou tubagens têm tendência a rolar enquanto são cortados e podem fazer com que a ponta empene ou salte na sua direção.
  14. **Posicione o cabo elétrico longe do acessório rotativo.** Se perder o controlo, o cabo elétrico pode ser cortado ou movimentado bruscamente e a sua mão ou braço podem ser puxados para o acessório rotativo.
  15. **Nunca pouse a ferramenta antes do acessório parar por completo.** O acessório rotativo pode apanhar a superfície e fazê-lo perder o controlo da ferramenta.
  16. **Após substituir as pontas ou efetuar quaisquer ajustes, certifique-se de que a porca da pinça de fixação, mancal ou qualquer outro dispositivo de ajuste estão bem apertados.** Os dispositivos de ajuste soltos podem deslocar-se inesperadamente, causando perda de controlo, os componentes rotativos soltos serão projetados com violência.
  17. **Não ligue a ferramenta enquanto a leva na mão junto ao corpo.** O contacto accidental com o acessório rotativo pode arrancar a sua roupa, puxando o acessório para o corpo.
  18. **Limpe regularmente as aberturas de ventilação da ferramenta.** A ventoinha do motor atrairá o pó para dentro da caixa e acumulação excessiva de metal em pó pode causar perigos elétricos.
  19. **Não utilizar a ferramenta perto de materiais inflamáveis.** As faíscas podem acender estes materiais.
  20. **Não utilizar acessórios que requeiram arrefecedores líquidos.** Usar água ou outro líquido refrigerante poderá resultar em eletrocussão ou choque.
- Recuos e Avisos Relacionados**
- O recuo é uma reação súbita a um disco rotativo encravado ou movido bruscamente. Pressionar ou mover bruscamente causa um rápido bloqueio do acessório rotativo, o que por sua vez faz com que a ferramenta descontrolada seja forçada na direção oposta à da rotação do acessório.
- Por exemplo, se um disco abrasivo for movimentado bruscamente ou encravado pela peça de trabalho, a ponta do disco que está entrar no ponto de encravamento pode perfurar a superfície do material, fazendo com que o disco salte fora ou ressalte. O disco pode saltar em direção ao operador ou na direção oposta, consoante o movimento no ponto de perfuração. Os discos abrasivos podem também quebrar nestas condições.
- O recuo é o resultado de uma má utilização da ferramenta e/ou procedimentos de funcionamento incorretos e pode ser evitado tomando as devidas precauções, tal como indicado em baixo.
- a) **Segure firmemente a ferramenta e posicione o corpo e o braço de forma a resistir às forças do recuo.** Se tomar medidas de precaução adequadas, o operador pode controlar as forças de recuo.
  - b) **Tenha especial atenção ao trabalhar cantos, extremidades afiadas, etc. Evite fazer ressaltar e movimentar bruscamente o acessório.** Os cantos, extremidades afiadas ou ressaltos têm uma tendência de movimentar bruscamente o acessório rotativo e causam perda de controlo ou recuo.
  - c) **Não instale uma lâmina de serra dentada.** Tais lâminas criam recuos frequentes e perda de controlo.
  - d) **Introduza sempre a ponta no material no mesmo sentido à medida que a extremidade de corte está a sair do material (mesmo sentido em que as aparas são projetadas).** Introduzir a ferramenta no sentido errado faz com que a extremidade de corte da ponta saia da peça de trabalho e puxe a ferramenta no sentido deste avanço.
- Avisos de segurança específicos para operações que envolvem afiar:**
- a) **Use apenas tipos de acessório que são recomendados para a ferramenta e a proteção específica concebida para o disco selecionado.**
  - b) **Não posicione a mão alinhada e atrás do acessório rotativo.** Quando o disco, aquando da utilização, está movimentar-se na direção oposta da sua mão, o recuo possível pode projetar o disco giratório e a ferramenta na sua direção.
- Avisos de segurança adicionais:**
21. **A ferramenta destina-se a utilização com pontos unidos de disco abrasivo (pedras de retificação) montado permanentemente num mandril (hastes) plano e sem rosca.**

22. **Certifique-se de que o acessório não está em contacto com a peça de trabalho antes de ligar o interruptor.**
23. **Antes de utilizar a ferramenta numa peça de trabalho, deixe-a a trabalhar durante algum tempo. Procure a existência de vibrações ou oscilações que possam indicar uma má fixação ou um acessório mal equilibrado.**
24. **Utilize a superfície especificada do acessório para afiar.**
25. **Tenha cuidado com as faíscas. Segure a ferramenta de forma a que as faíscas sejam projetadas para longe de si e de outras pessoas ou materiais inflamáveis.**
26. **Não abandone a ferramenta a funcionar. Ponha-a a funcionar apenas quando estiver a segurá-la.**
27. **Não toque na peça de trabalho logo após a operação, uma vez que pode estar demasiado quente e provocar queimaduras.**
28. **Cumpra as instruções do fabricante sobre a instalação e utilização corretas dos acessórios. Manuseie e guarde os acessórios com cuidado.**
29. **Verifique se a peça de trabalho está bem suportada.**
30. **Se o local de trabalho for extremamente quente e húmido ou muito poluído pelo pó, utilize um disjuntor (30 mA) para garantir a segurança do operador.**
31. **Não utilize a ferramenta ou quaisquer materiais que contenham amianto.**
32. **Procure uma posição em pé estável e firme. Se utilizar a ferramenta em locais altos, verifique se não há ninguém por baixo.**

## GUARDE ESTAS INSTRUÇÕES.

### AVISO:

**NÃO** deixe que o conforto ou familiaridade com o produto (obtida de uma utilização regular) substituam um cumprimento severo das regras de segurança do produto em causa. Uma **UTILIZAÇÃO INCORRETA** ou não cumprimento das regras de segurança indicadas neste manual de instruções podem provocar ferimentos pessoais graves.

## DESCRIÇÃO DO FUNCIONAMENTO

### PRECAUÇÃO:

- Certifique-se sempre de que a ferramenta está desligada no interruptor e da tomada antes de proceder a ajustes ou testes à mesma.

### O gatilho/interruptor (Fig. 1)

#### PRECAUÇÃO:

- Antes de ligar a ferramenta, verifique sempre se o interruptor deslizante está a funcionar correctamente e se volta à posição "OFF" (desligada) quando é premeida a parte de trás do interruptor deslizante.

Para ligar a ferramenta, mova o interruptor deslizante para a posição "I" (ligada). Para uma utilização contínua, prima a parte da frente do interruptor deslizante para o bloquear.

Para desligar a ferramenta, prima a parte de trás do interruptor deslizante, depois mova-o para a posição "O" (desligada).

## MONTAGEM

### PRECAUÇÃO:

- Certifique-se sempre de que a ferramenta está desligada no interruptor e da tomada antes de efectuar qualquer trabalho na mesma.

### Instalar ou retirar a ponta do acessório (Fig. 2)

Desaperte a porca de aperto e introduza a ponta do acessório na porca de aperto. Utilize uma chave para fixar o veio e outra para apertar bem a porca de aperto. A ponta do acessório não deve ser instalada a mais de 10 mm da porca de aperto. Exceder esta distância poderia causar vibrações ou um veio quebrado. **(Fig. 3)**

Para remover a ponta do acessório, siga o procedimento inverso de instalação.

### PRECAUÇÃO:

- Utilize o tamanho correto de cone de aperto para a ponta do acessório que pretende utilizar.

## FUNCIONAMENTO (Fig. 4)

Ligue a ferramenta sem que a ponta do acessório entre em contacto com a peça de trabalho e aguarde até que a ponta do acessório atinja a velocidade total.

De seguida, aplique suavemente a ponta do acessório à peça de trabalho. Para obter um bom acabamento, mova lentamente a ferramenta para a esquerda.

### PRECAUÇÃO:

- Aplique uma pressão leve na ferramenta. Uma pressão excessiva na ferramenta apenas causaria um mau acabamento e sobrecarga do motor.

## MANUTENÇÃO

### PRECAUÇÃO:

- Certifique-se sempre de que a ferramenta está desligada no interruptor e da tomada antes de inspeccionar ou fazer a manutenção da ferramenta.
- Nunca utilize gasolina, benzina, diluente, álcool ou semelhante. Podem formar-se descolorações, deformações ou fissuras.

Para manter os níveis de **SEGURANÇA** e **FIABILIDADE**, as reparações, inspecção e substituição das escovas de carvão e outras operações de manutenção ou ajuste devem ser executadas por centros de assistência Makita autorizados e, no caso de substituição de peças, estas devem ser igualmente peças originais Makita.

## ACESSÓRIOS OPCIONAIS

### PRECAUÇÃO:

- Os seguintes acessórios ou extensões são os recomendados para utilizar com a ferramenta Makita especificada neste manual. A utilização de quaisquer outros acessórios poderá representar um risco de ferimento para as pessoas. Apenas utilize o acessório para o fim indicado.

Se precisar de informações adicionais relativas aos acessórios, contacte o centro local de assistência Makita.

- Pontas de acessório
- Conjunto de cone de aperto (3 mm, 6 mm, 8 mm, 1/4", 1/8")
- Chave 13
- Conjunto da pega lateral

## Pega lateral (Fig. 5)

Quando utilizar a pega lateral, retire o protector de borracha, introduza a pega lateral no cano da ferramenta ao máximo e rode-a para o ângulo pretendido. De seguida, aperte bem a pega rodando no sentido dos ponteiros do relógio.

### PRECAUÇÃO:

- Quando utilizar a ferramenta sem pega, instale sempre o protector de borracha na ferramenta.
- Quando instalar a protecção de borracha, empurre-a sempre para a ferramenta até que a saliência no interior da borracha encaixe nas ranhuras na ferramenta.

### NOTA:

- Alguns itens na lista podem estar incluídos no pacote de ferramentas como acessórios de série. Podem diferir de país para país.

### Ruído

ENG905-1

Os níveis acústicos ponderados A típicos foram determinados segundo a EN60745:

Nível de pressão sonora ( $L_{pA}$ ): 76 dB (A)

Imprecisão (K): 3 dB (A)

O nível de ruído quando em funcionamento pode exceder os 80 dB (A).

#### Use protecção para os ouvidos.

### Vibração

ENG900-1

O valor total da vibração (soma triaxial de vectores) foi determinado segundo a EN60745:

Modo de trabalho: afiar à superfície

Emissão de vibração ( $a_{h,SG}$ ): 2,5 m/s<sup>2</sup>

Imprecisão (K): 1,5 m/s<sup>2</sup>

ENG902-1

- O valor da emissão de vibração declarado foi medido de acordo com o método de teste padrão e pode ser utilizado para comparar uma ferramenta com outra.
- O valor da emissão de vibração declarado pode também ser utilizado numa avaliação preliminar de exposição.
- O valor da emissão de vibração declarado é utilizado para as aplicações principais da ferramenta eléctrica. No entanto, se a ferramenta eléctrica for utilizada para outras aplicações, o valor da emissão de vibração pode ser diferente.

### AVISO:

- A emissão de vibração durante a utilização real da ferramenta eléctrica pode ser diferente do valor de emissão declarado, dependendo da forma como a ferramenta é utilizada.
- Certifique-se de que identifica medidas de segurança, para proteger o operador, que são baseadas numa estimativa de exposição nas condições reais de utilização (tendo em conta todas as partes do ciclo de funcionamento, como as vezes que a ferramenta é

desligada e quando está a trabalhar ao ralenti, além do tempo de utilização).

### Declaração de conformidade CE

#### ***Apenas para os países europeus***

A declaração de conformidade CE está incluída como Anexo A neste manual de instruções.

- |                  |                       |
|------------------|-----------------------|
| 1. Glidekontakt  | 3. Spændepatronmøtrik |
| 2. Skruenøgle 13 | 4. Sidehåndtag        |

## SPECIFIKATIONER

Model		GD0602
Maks. spændekapacitet		8 mm
Slibestift	Maks. diameter af slibestift	38 mm
	Maks. længde på dorn (skaft)	46 mm
Nominal hastighed (n)/hastighed uden belastning (n <sub>0</sub> )		25.000 min <sup>-1</sup>
Længde i alt		264 mm
Nettovægt		1,4 kg
Sikkerhedsklasse		□/II


- På grund af vores løbende forsknings- og udviklingsprogram kan specifikationerne heri ændres uden forudgående varsel.
- Specifikationerne kan variere fra land til land.
- Vægt i henhold til EPTA-procedure 01/2003

**Tilsigtet anvendelse** ENE050-1  
 Værktøjet er beregnet til slibning i jernholdige materialer eller i afgratningsstøbninger.

**Strømforsyning** ENF002-2  
 Værktøjet bør kun sluttes til en strømforsyning med den spænding, der er angivet på mærkepladen, og det kan kun benyttes med enkeltfasets vekselstrøm. Det er dobbelt isoleret og kan derfor også sluttes til stikkontakter uden jordforbindelse.

## Generelle sikkerhedsadvarsler for maskiner

GEA010-1

 **ADVARSEL** Læs alle sikkerhedsadvarsler og alle instruktioner. Hvis De ikke følger alle advarsler og instruktioner, kan det medføre elektrisk stød, brand og/eller alvorlig personskade.

## Gem alle advarsler og instruktioner til senere reference.

## SKKERHEDSADVARSLER FOR LIGESLIBER

GEB034-9

Fælles sikkerhedsadvarsler for slibning:

1. Denne maskine er beregnet til anvendelse som en sliber. Læs alle sikkerhedsadvarsler, instruktioner, illustrationer og specifikationer, der følger med maskinen. Hvis du ikke følger alle instruktionerne nedenfor, kan det medføre elektrisk stød, brand og/eller alvorlig personskade.
  2. Det anbefales ikke at benytte maskinen til formål som f.eks. sandslibning, trådbørstning, polering eller vinkelslibning. Anvendelser, som elværktøjet ikke er beregnet til, kan udgøre en risiko og medføre personskade.
  3. Undlad at benytte tilbehør, som ikke er specielt udviklet og anbefalet af værktøjsproducenten.
- Selvom tilbehøret kan monteres på maskinen, er anvendelsen ikke nødvendigvis sikker.
4. **Tilbehørets nominelle hastighed skal være mindst lig med den maksimale hastighed, der er angivet på maskinen.** Tilbehør, der kører hurtigere end dets nominelle hastighed, kan gå i stykker og blive slynget bort.
  5. **Tilbehørets udvendige diameter og tykkelse skal overholde maskinens kapacitet.** Tilbehør med forkert størrelse kan ikke kontrolleres korrekt.
  6. **Akselstørrelsen på tilbehør skal passe ordentligt til spændepatronen på maskinen.** Tilbehør, der ikke passer til monteringsudstyret på maskinen, vil komme ud af balance, vibrere voldsomt og kan medføre, at du mister kontrollen.
  7. **Dornmonteret tilbehør skal være sat helt ind i spændepatronen eller patronen.** Hvis dornen ikke er holdt ordentligt, og/eller slibestiftens overhæng er for langt, kan det monterede tilbehør muligvis gå løst og blive kastet ud med høj fart.
  8. **Undlad brug af et beskadiget tilbehør.** Kontroller tilbehør som f.eks. slibeskiver for flænger og revner, hver gang det skal benyttes. Hvis du taber maskinen eller tilbehøret, skal du se efter for beskadigelser eller montere ubeskadiget tilbehør. Efter kontrol og montering af tilbehør skal du placere dig selv og tilskuere væk fra tilbehørets drejningsplan og lade maskinen køre ved maksimal hastighed uden belastning i et minut. Beskadiget tilbehør vil normalt gå i stykker inden for denne testperiode.
  9. **Bær personligt sikkerhedsudstyr. Afhængigt af anvendelsen skal du bære ansigtsskærm, beskyttelsesbriller eller sikkerhedsbriller.** Bær om nødvendigt støvmaske, høreværn, handsker og arbejdsforklæde, der kan stoppe små slibningsstykker eller stumper af arbejdsemnet. Øjenbeskyttelsen skal kunne stoppe flyvende stumper, der frembringes ved forskellige anvendelser. Støvmasken eller åndedrætsbeskyttelsen skal kunne

filtrere partikler, der frembringes ved anvendelsen. Længerevarende udsættelse for kraftig støj kan medføre høreskader.

10. **Hold andre tilstedeværende på sikker afstand af arbejdsområdet. Alle, der kommer ind i arbejdsområdet, skal bære personligt sikkerhedsudstyr.** Dele af arbejdsmønt eller ødelagt tilbehør kan flyve væk og medføre personskade uden for det umiddelbare anvendelsesområde.
11. **Hold kun maskinen i de isolerede gribeplader, når du udfører arbejde, hvor skæretilbehøret kan komme i kontakt med skjulte ledninger eller værktøjets egen ledning.** Hvis det skærende tilbehør kommer i kontakt med en strømførende ledning, kan udsatte metaldele på maskinen blive strømførende, hvorved operatøren kan få elektrisk stød.
12. **Hold altid maskinen i hånden/hænderne under start.** Motorens reaktionsmoment, efterhånden som det accelererer til fuld hastighed, kan medføre at maskinen vrider sig.
13. **Brug skruetvinger til at understøtte arbejdsmønt, når det er muligt. Hold aldrig et lille arbejdsmønt i en hånd og maskinen i den anden hånd under brug.** Hvis du fastspænder et lille arbejdsmønt, kan du anvende din hånd (dine hænder) til at kontrollere maskinen med. Runde materialer som f.eks. dyvelstænger, rør eller slanger kan have tendens til at rulle, når de skæres, og kan være årsag til, at bittens sidder fast eller springer ud mod dig.
14. **Placer ledningen på afstand af det roterende tilbehør.** Hvis du mister kontrollen, kan ledningen blive skåret over eller beskadiget, og din hånd eller arm kan blive trukket ind i det roterende tilbehør.
15. **Læg aldrig maskinen fra dig, før tilbehøret er stoppet helt.** Det roterende tilbehør kan gribe fat i overfladen og trække i maskinen, så du mister kontrollen.
16. **Efter skift af bittens eller udførsel af justeringer skal du sørge for, at spændepatronmøtrikken, spændepatronen eller andet justeringsudstyr er ordentligt strammet til.** Løst justeringsudstyr kan uventet skifte plads, medføre tab af kontrol, og voldsomt kast af løse roterende komponenter.
17. **Lad ikke maskinen køre, mens du bærer den ved siden.** Hvis dit tøj kommer i kontakt med det roterende tilbehør, kan det gribe fat i tøjet og trække tilbehøret ind imod kroppen på dig.
18. **Rengør regelmæssigt maskinens ventilationsåbninger.** Motorventilatoren trækker støvet ind i kabinettet, og koncentration af forstøvet metal kan medføre elektriske risici.
19. **Undlad at betjene maskinen i nærheden af brændbare materialer.** Gnister kan antænde disse materialer.
20. **Undlad at benytte tilbehør, der kræver flydende kølemidler.** Brug af vand eller andre flydende kølemidler kan medføre elektrisk stød eller chok.

#### Tilbageslag og relaterede advarsler

Tilbageslag er en pludselig reaktion fra et tilbehør, der sidder fast eller er klemt. Hvis tilbehøret sidder fast eller kommer i klemme, går det roterende tilbehør pludselig i stå, hvorved den ikke-kontrollerede maskine tvinges i den modsatte retning af tilbehørets rotationsretning.

Hvis en slibeskive f.eks. kommer i klemme eller sidder fast på arbejdsmønt, kan den kant på skiven, der sidder ind i fastklemningspunktet, skære sig ind i emnets overflade, så skiven klatrer ud eller slås ud. Skiven kan enten springe mod eller bort fra operatøren, afhængigt af skivens bevægelse på det sted, hvor den sidder fast. Slibeskiver kan også gå i stykker under disse forhold. Tilbageslag skyldes forkert brug af maskinen og/eller forkerte betjeningsprocedurer eller forhold og kan undgås ved at træffe de nødvendige forsigtighedsregler som beskrevet nedenfor.

- a) **Hold godt fast i maskinen, og placer kroppen og armen, så du kan modstå tilbageslag.** Operatøren kan kontrollere tilbageslag, hvis der træffes de rette forholdsregler.
- b) **Vær særlig forsigtig ved arbejde på hjørner, skarpe kanter osv. Undgå at støde og vride tilbehøret.** Hjørner, skarpe kanter og stød har tendens til at få det roterende tilbehør til at sidde fast og forårsage tab af kontrollen eller tilbageslag.
- c) **Monter ikke en savklinge med tænder.** Sådanne klinger forårsager ofte tilbageslag og tab af kontrollen.
- d) **Før altid bittens ind i materialet i den samme retning, som skærekanten kommer ud af materialet (hvilket er den samme retning, som spånerne kastes).** Fremføres maskinen i den forkerte retning, kræver bittens skærekant ud af arbejdsmønt og trækker maskinen i den samme retning, som denne fremføring.

#### Specifikke sikkerhedsadvarsler for slibning:

- a) **Anvend kun slibestifttyper der anbefales til maskinen, og kun til anbefalede anvendelser.**
- b) **Undlad at placere din hånd på linje med og bagved den roterende slibestift.** Når slibestiften på anvendelsesstedet bevæger sig bort fra din hånd, vil et eventuelt tilbageslag slynge den roterende slibestift og maskinen direkte tilbage mod dig selv.

#### Yderligere sikkerhedsadvarsler:

21. **Maskinen er beregnet til brug med limede slibestifter (slibesten), som er permanent monterede på en lige dorn (skaft) uden gevind.**
22. **Sørg for, at slibestiften ikke har kontakt med arbejdsmønt, før der tændes på kontakten.**
23. **Lad maskinen køre et stykke tid, før den benyttes på et arbejdsmønt. Hold øje med vibrationer eller slinger, der kan være tegn på en dårlig montering eller en dårligt afbalanceret slibestift.**
24. **Anvend den tilsigtede overflade på slibestiften til at udføre slibningen.**
25. **Vær opmærksom på gnistregn. Hold maskinen, så gnisterne flyver væk fra dig selv og andre personer eller fra brændbare materialer.**
26. **Gå ikke fra maskinen, mens den kører. Lad kun maskinen køre, mens du holder den i hænderne.**
27. **Berør ikke arbejdsmønt umiddelbart efter arbejdet. Det kan være meget varmt og forårsage forbrændinger af huden.**
28. **Overhold producentens instruktioner for korrekt montering og brug af slibestifter. Vær omhyggelig med håndteringen og opbevaringen af slibestifterne.**



29. **Kontroller, at arbejdsemnet er korrekt understøttet.**
30. **Hvis arbejdspladsen er meget varm og fugtig, eller hvis den er kraftigt forurenet af ledende støv, skal du bruge en kortslutningsafbryder (30 mA) til at beskytte operatøren.**
31. **Anvend ikke maskinen på materialer, der indeholder asbest.**
32. **Sørg altid for at have et solidt fodfæste. Sørg for, at der ikke er nogen under dig, når du benytter maskinen på højtliggende steder.**

## GEM DISSE INSTRUKTIONER.

### ⚠ ADVARSEL:

**LAD IKKE tryghed eller kendskab til produktet (fra gentagen brug) føre til, at du ikke strengt overholder sikkerhedsreglerne for det gældende produkt.**

**MISBRUG eller manglende overholdelse af sikkerhedsreglerne i denne brugsanvisning kan medføre alvorlig personskade.**

## FUNKTIONSBESKRIVELSE

### FORSIGTIG:

- Sørg altid for, at værktøjet er slukket, og at stikket er taget ud af stikkontakten, før du justerer værktøjet eller kontrollerer dets funktion.

### Betjening af kontakt (Fig. 1)

#### FORSIGTIG:

- Før værktøjet sættes til, skal du altid kontrollere, at glidekontakten reagerer korrekt og vender tilbage i stillingen "OFF", når der trykkes bag på glidekontakten.

For at starte værktøjet skal du skubbe glidekontakten til stillingen I (ON). For kontinuerlig betjening skal du trykke foran på glidekontakten for at låse den fast.

Når du vil stoppe værktøjet, skal du trykke bag på glidekontakten og derefter trykke den mod stillingen "O (OFF)".

## MONTERING

### FORSIGTIG:

- Sørg altid for, at værktøjet er slukket og taget ud af stikkontakten, før du udfører nogen form for arbejde på værktøjet.

### Montering eller afmontering af slibestift (Fig. 2)

Løsn spændepatronmøtrikken, og sæt slibestiften ind i spændepatronmøtrikken. Benyt en skruenøgle til at holde på spindelen og den anden til at stramme spændepatronmøtrikken ordentligt fast.

Slibestiften må ikke monteres mere end 10 mm fra spændepatronmøtrikken. Ved større afstande kan der opstå vibrationer, eller skaffet kan knække. **(Fig. 3)**

Følg fremgangsmåden til montering i omvendt rækkefølge for at afmontere slibestiften.

### FORSIGTIG:

- Benyt den rigtige størrelse spændepatronkegle til den slibestift, du vil anvende.

## BETJENING (Fig. 4)

Tænd for værktøjet, uden at slibestiften berører arbejdsemnet, og vent, til slibestiften har nået fuld hastighed. Sæt derefter forsigtigt slibestiften mod arbejdsemnet. Flyt langsomt værktøjet mod venstre for at opnå et pænt finish.

### FORSIGTIG:

- Tryk let på værktøjet. Hvis der trykkes for hårdt på værktøjet, medfører det blot et dårligt finish, og at motoren bliver overbelastet.

## VEDLIGEHOLDELSE

### FORSIGTIG:

- Sørg altid for, at værktøjet er slukket, og at stikket er taget ud, før du udfører inspektion eller vedligeholdelse.
- Brug aldrig benzin, benzen, fortynder, alkohol eller lignende. Det kan muligvis medføre misfarvning, deformation eller revner.

For at holde produktet SIKKERT og PÅLIDELIGT skal reparationer, kontrol og udskiftning af kulbørsterne samt al anden vedligeholdelse eller justering udføres af autoriserede Makita-servicecentre, der altid benytter Makita-reservedele.

## EKSTRAUDSTYR

### ⚠ FORSIGTIG:

- Dette tilbehør eller ekstraudstyr anbefales til brug med det Makita-værktøj, som er beskrevet i denne brugsanvisning. Brug af andet tilbehør eller ekstraudstyr kan forårsage personskade. Brug kun tilbehør eller ekstraudstyr til det formål, det er beregnet til.

Henvend dig til dit lokale Makita-servicecenter, hvis du har brug for hjælp eller yderligere oplysninger vedrørende tilbehøret.

- Slibestifter
- Spændepatronkeglesæt (3 mm, 6 mm, 8 mm, 1/4", 1/8")
- Skruenøgle 13
- Sidehåndtagssæt

### Sidehåndtag (Fig. 5)

Ved anvendelse af sidehåndtaget skal du fjerne gummibeskyttelsen, sætte sidehåndtaget så langt ind på værktøjscylinderen, som det kan komme, og dreje det til den ønskede vinkel. Stram derefter håndtaget godt ved at dreje det med uret.

### FORSIGTIG:

- Monter altid gummibeskyttelsen på værktøjet, når det anvendes uden sidehåndtag.
- Ved montering af gummibeskyttelsen skal du altid skubbe den på værktøjet, indtil fremspringet inde i gummi passer til rillerne på værktøjet.

### BEMÆRK:

- Visse dele på listen er muligvis indeholdt maskinindpakningen som standardtilbehør. De kan variere fra land til land.

## Støj

ENG905-1

Det typiske A-vægtede støjniveau bestemt i overensstemmelse med EN60745:

Lydtrykniveau ( $L_{pA}$ ): 76 dB (A)

Usikkerhed (K): 3 dB (A)

Støjniveauet under arbejdet kan være større end 80 dB (A).

## Bær høreværn.

## Vibration

ENG900-1

Den samlede vibrationsværdi (treaksial vektorsum)

bestemt i overensstemmelse med EN60745:

Arbejdstilstand: overfladeslibning

Vibrationsemission ( $a_{h,SC}$ ): 2,5 m/s<sup>2</sup>

Usikkerhed (K): 1,5 m/s<sup>2</sup>

ENG902-1

- Den opgivne vibrationsemissionsværdi er målt i overensstemmelse med standardtestmetoden og kan bruges til at sammenligne et værktøj med et andet.
- Den opgivne vibrationsemissionsværdi kan muligvis også bruges til en indledende eksponeringsvurdering.
- Den opgivne vibrationsemissionsværdi gælder, når maskinen benyttes til dens hovedfunktioner. Men hvis maskinen bruges til andre formål, vil vibrationsemissionsværdien muligvis være en anden.

## ADVARSEL:

- Vibrationsemissionen under den faktiske brug af maskinen kan afvige fra den opgivne emissionsværdi afhængigt af den måde, maskinen anvendes på.
- Sørg for at bestemme sikkerhedsforanstaltninger for beskyttelse af operatøren, som er baseret på en eksponeringsvurdering for brug under faktiske forhold (hvor alle anvendelsescyklussens dele inddrages, som f.eks. antal gange maskinen slukkes, og når den kører i tomgang ud over triggertiden).

## EF-overensstemmelseserklæring

### *Kun for europæiske lande*

EF-overensstemmelseserklæringen er inkluderet som appendiks A til denne betjeningsvejledning.

# ΕΛΛΗΝΙΚΑ (Πρωτογενείς οδηγίες)

## Γενική περιγραφή

1. Κυλιόμενος διακόπτης
2. Κλειδί 13
3. Παξιμάδι κολάρου
4. Πλαϊνή λαβή

## ΠΡΟΔΙΑΓΡΑΦΕΣ

Μοντέλο	GD0602	
Μέγιστη ικανότητα κολάρου	8 mm	
Σημειακός τροχός	Μέγ. διάμετρος τροχού	38 mm
	Μέγιστο μήκος ατράκτου (άξονας)	46 mm
Ονομαστική ταχύτητα (n)/Ταχύτητα χωρίς φορτίο (n <sub>0</sub> )	25.000 min <sup>-1</sup>	
Ολικό μήκος	264 mm	
Καθαρό βάρος	1,4 kg	
Τάξη ασφάλειας	□/II	

- Λόγω του συνεχόμενου προγράμματος που εφαρμόζουμε για έρευνα και ανάπτυξη, τα τεχνικά χαρακτηριστικά στο παρόν έντυπο υπόκεινται σε αλλαγή χωρίς προειδοποίηση.
- Τα τεχνικά χαρακτηριστικά ενδέχεται να διαφέρουν ανάλογα με τη χώρα.
- Βάρος σύμφωνα με τη διαδικασία ΕΡΤΑ 01/2003

**Προοριζόμενη χρήση** ENE050-1  
Το εργαλείο προορίζεται για τρόχισμα και λείανση σιδηρούχων υλικών και χυτών μετάλλων.

**Ηλεκτρική παροχή** ENF002-2  
Το εργαλείο πρέπει να συνδέεται μόνο σε ηλεκτρική παροχή της ίδιας τάσης με αυτήν που αναγράφεται στην πινακίδα ονομαστικών τιμών και μπορεί να λειτουργήσει μόνο με εναλλασσόμενο μονοφασικό ρεύμα. Τα εργαλεία αυτά διαθέτουν διπλή μόνωση και συνεπώς μπορούν να συνδεθούν με πρίζες χωρίς γείωση.

## Γενικές Προειδοποιήσεις Ασφαλείας Του Ηλεκτρικού Εργαλείου

GEA010-1

**⚠ ΠΡΟΕΙΔΟΠΟΙΗΣΗ Διαβάστε όλες τις προειδοποιήσεις ασφαλείας και όλες τις οδηγίες.** Αν δεν ακολουθήσετε όλες τις προειδοποιήσεις και τις οδηγίες, υπάρχει κίνδυνος ηλεκτροπληξίας, πυρκαγιάς ή/και σοβαρού τραυματισμού.

## Φυλάξτε όλες τις προειδοποιήσεις και τις οδηγίες για μελλοντική αναφορά.

## ΠΡΟΕΙΔΟΠΟΙΗΣΕΙΣ ΑΣΦΑΛΕΙΑΣ ΕΥΘΥΛΕΙΑΝΤΗΡΑ

GEB034-9

**Κοινές προειδοποιήσεις ασφαλείας για τη λειτουργία λείανσης:**

1. Αυτό το ηλεκτρικό εργαλείο προορίζεται να λειτουργήσει ως ευθυλειαντήρας. Διαβάστε όλες τις προειδοποιήσεις ασφαλείας, τις οδηγίες, τις εικόνες και τις προδιαγραφές που παρέχονται με αυτό το ηλεκτρικό εργαλείο. Αν δεν ακολουθήσετε όλες τις οδηγίες που παρατίθενται παρακάτω, υπάρχει κίνδυνος ηλεκτροπληξίας, πυρκαγιάς ή/και σοβαρού τραυματισμού.
2. Δεν συνιστάται να πραγματοποιούνται λειτουργίες όπως γυάλισμα, συρμάτινο βούρτσισμα, λουστράρισμα ή κοπή με αυτό το ηλεκτρικό εργαλείο. Αν χρησιμοποιηθεί το ηλεκτρικό εργαλείο για εργασίες για τις οποίες δεν έχει σχεδιαστεί, ενδεχομένως να προκληθεί κίνδυνος και προσωπικός τραυματισμός.
3. Μην χρησιμοποιείτε εξαρτήματα που δεν είναι ειδικά σχεδιασμένα από τον κατασκευαστή του εργαλείου και τα οποία δεν συνιστά ο κατασκευαστής του εργαλείου. Αν και είναι δυνατό να προσαρτηθεί το εξάρτημα στο ηλεκτρικό εργαλείο σας, αυτό δεν σημαίνει ότι μπορεί να λειτουργεί με ασφάλεια.
4. Η ονομαστική ταχύτητα του εξαρτήματος πρέπει να είναι τουλάχιστον ίση με τη μέγιστη ταχύτητα που αναγράφεται στο ηλεκτρικό εργαλείο. Τα εξαρτήματα που λειτουργούν με ταχύτητα υψηλότερη από την ονομαστική ταχύτητά τους μπορεί να σπάσουν και να εκτιναχθούν τα μέρη τους.
5. Η εξωτερική διάμετρος και το πάχος του εξαρτήματος σας πρέπει να βρίσκονται εντός των δυνατοτήτων του ηλεκτρικού εργαλείου σας. Τα εξαρτήματα με λανθασμένο μέγεθος δεν ελέγχονται ικανοποιητικά.
6. Το μέγεθος του άξονα των εξαρτημάτων πρέπει να ταιριάζει σωστά στο κολάρο του ηλεκτρικού εργαλείου. Τα εξαρτήματα που δεν ταιριάζουν με τον εξοπλισμό στερέωσης του ηλεκτρικού εργαλείου θα λειτουργούν ιδιόρρυθμα, προκαλώντας υπερβολικούς κραδασμούς και ενδεχομένως απώλεια ελέγχου.
7. Τα εξαρτήματα που στερεώνονται με άξονα πρέπει να εισάγονται πλήρως μέσα στο κολάρο ή στο σφιγκτήρα. Αν ο άξονας συγκρατείται ανεπαρκώς ή/και η προεξοχή του τροχού είναι πολύ μεγάλη, το στερεωμένο εξάρτημα μπορεί να χαλαρώσει και να εκτιναχθεί με μεγάλη ταχύτητα.
8. Μην χρησιμοποιείτε εξαρτήματα που έχουν υποστεί βλάβη. Πριν τη κάθε χρήση εξετάστε το εξάρτημα όπως τους λειαντικούς τροχούς για

- σπασίματα και ρωγμές. Αν το ηλεκτρικό εργαλείο ή ένα εξάρτημα πέσει κάτω, ελέγξτε για ζημιές ή εγκαταστήστε ένα εξάρτημα που δεν έχει υποστεί βλάβη. Μετά την εξέταση και την εγκατάσταση ενός εξαρτήματος, παραμένετε εσείς και οι παρεπιδόμενοι μακριά από το επίπεδο του περιστρεφόμενου εξαρτήματος και λειτουργήστε το ηλεκτρικό εργαλείο στη μέγιστη ταχύτητα χωρίς φορτίο για ένα λεπτό. Τα εξάρτημα που έχουν υποστεί βλάβη, συνήθως σπάνε κατά τη διάρκεια αυτής της δοκιμής.
9. **Να φοράτε προσωπικό προστατευτικό εξοπλισμό. Ανάλογα με την εφαρμογή, να χρησιμοποιείτε προσωπίδα, προστατευτικά ματιών ή προστατευτικά γυαλιά. Όπου είναι κατάλληλο, να φοράτε προσωπίδα κατά της σκόνης, προστατευτικά ακοής, γάντια και ποδιά εργασίας που μπορούν να σταματήσουν τα μικρά θραύσματα από τη λείανση ή θραύσματα του τεμαχίου εργασίας.** Ο προστατευτικός εξοπλισμός για τα μάτια πρέπει να έχει τη δυνατότητα να σταματά την κίνηση των εκπαισσομένων θραυσμάτων που δημιουργούνται από τις διάφορες εργασίες. Η προσωπίδα κατά της σκόνης ή ο αναπνευστήρας πρέπει να έχει τη δυνατότητα να φιλτράρει τα σωματίδια που δημιουργούνται από την εργασία που εκτελείται. Η παρατεταμένη έκθεση σε θόρυβο υψηλής έντασης μπορεί να προκαλέσει απώλεια ακοής.
10. **Να απομακρύνετε τους μη έχοντες εργασία σε ασφαλή απόσταση από το χώρο εργασίας. Κάθε άτομο που εισέρχεται στο χώρο εργασίας πρέπει να φορά προσωπικό προστατευτικό εξοπλισμό.** Μπορεί να εκπαισθούν θραύσματα από το τεμάχιο εργασίας ή από ένα σπασμένο εξάρτημα και να προκαλέσουν τραυματισμό σε άτομα που βρίσκονται μακριά από την άμεση περιοχή της εργασίας.
11. **Να κρατάτε το ηλεκτρικό εργαλείο μόνο από τις λαβές με μόνωση όταν εκτελείτε εργασίες κατά τις οποίες το κοπτικό εξάρτημα μπορεί να έρθει σε επαφή με κρυμμένα καλώδια ή με το ίδιο του το καλώδιο.** Αν το κοπτικό εξάρτημα έρθει σε επαφή με κάποιο ηλεκτροφόρο καλώδιο, τα εκτεθειμένα μεταλλικά μέρη του ηλεκτρικού εργαλείου θα γίνουν κι αυτά ηλεκτροφόρα και μπορεί να προκληθεί ηλεκτροπληξία στο χειριστή.
12. **Πάντα να κρατάτε το εργαλείο σταθερά στο χέρι(-α) σας κατά τη διάρκεια της εκκίνησης.** Η ροπή αντίδρασης του κινητήρα, καθώς επιταχύνει στην πλήρη ταχύτητα, μπορεί να προκαλέσει την περιστροφή του εργαλείου.
13. **Χρησιμοποιήστε σφιγκτήρες για την υποστήριξη του τεμαχίου εργασίας όποτε είναι πρακτικό. Ποτέ μην κρατάτε ένα μικρό κομμάτι εργασίας στο ένα χέρι και το εργαλείο με το άλλο χέρι κατά τη χρήση.** Η σφίξιξη ενός μικρού τεμαχίου εργασίας σας επιτρέπει να χρησιμοποιείτε το χέρι(-α) σας για τον έλεγχο του εργαλείου. Τα στρογγυλά υλικά όπως ράβδοι που λειτουργούν ως πείροι, σωληνώνες ή σωληνώσεις έχουν την τάση να κυλούν καθώς κόβονται και μπορεί να προκαλέσουν τη δέσμευση της μύτης ή την εκτόξευση προς το μέρος σας.
14. **Να τοποθετείτε το ηλεκτρικό καλώδιο μακριά από το περιστρεφόμενο εξάρτημα.** Αν χάσετε τον έλεγχο, το ηλεκτρικό καλώδιο μπορεί να κοπεί ή να

- σκαλώσει, και μπορεί να τραβήξει το χέρι ή το βραχιονά σας μέσα στο περιστρεφόμενο εξάρτημα.
15. **Ποτέ να μην τοποθετείτε κάτω το ηλεκτρικό εργαλείο έως ότου το εξάρτημα σταματήσει τελείως.** Το περιστρεφόμενο εξάρτημα ενδεχομένως να πιστεί στην επιφάνεια και να χάσετε τον έλεγχο του ηλεκτρικού εργαλείου.
16. **Μετά την αλλαγή των μυτών ή την εκτέλεση οποιονδήποτε ρυθμίσεων, βεβαιωθείτε ότι το παζιμάδι σύσφιξης, ο σφιγκτήρας ή οι οποιοσδήποτε άλλες συσκευές ρύθμισης είναι καλά σφιγμένες.** Οι συσκευές με χαλαρή προσαρμογή μπορεί να μετακινήθούν απρόσμενα, προκαλώντας απώλεια ελέγχου και την βίαιη εκτίναξη των χαλαρά περιστρεφόμενων εξαρτημάτων.
17. **Μη θέτετε το ηλεκτρικό εργαλείο σε λειτουργία ενώ το μεταφέρετε κρατώντας το στο πλάι σας.** Η τυχαία επαφή με το περιστρεφόμενο εξάρτημα μπορεί να έχει ως αποτέλεσμα να πιστούν τα ρούχα σας και το εξάρτημα να τραβηχτεί προς το σώμα σας.
18. **Να καθαρίζετε τακτικά τα ανοίγματα αερισμού του ηλεκτρικού εργαλείου.** Ο ανεμιστήρας του μοτέρ τραβεί τη σκόνη στο εσωτερικό του περιβλήματος και η υπερβολική συσσώρευση μετάλλου σε μορφή σκόνης ενδεχομένως να προκαλέσει κίνδυνο ηλεκτροπληξίας.
19. **Μην θέτετε σε λειτουργία το ηλεκτρικό εργαλείο κοντά σε εύφλεκτα υλικά.** Οι σπινθήρες μπορούν να προκαλέσουν ανάφλεξη αυτών των υλικών.
20. **Μην χρησιμοποιείτε εξαρτήματα που απαιτούν υγρά ψυκτικά.** Η χρήση νερού ή άλλων υγρών ψυκτικών μπορεί να έχει ως αποτέλεσμα την ηλεκτροπληξία.

#### **Κλώστωμα και σχετικές προειδοποιήσεις**

Το κλώστωμα είναι μια ξαφνική αντίδραση σε ένα σκαλωμένο ή μαγκωμένο περιστρεφόμενο εξάρτημα. Το μάγκωμα ή το σκάλωμα προκαλεί την απότομη εμπλοκή του περιστρεφόμενου εξαρτήματος, το οποίο με τη σειρά του προκαλεί την κίνηση του ανεξέλεγκτου ηλεκτρικού εργαλείου προς την αντίθετη κατεύθυνση της περιστροφής του εξαρτήματος. Για παράδειγμα, αν ένας λειαντικός τροχός μαγκώσει ή σκαλώσει στο τεμάχιο εργασίας, το άκρο του τροχού που εισέρχεται στο σημείο της στένωσης μπορεί να σκάψει μέσα στην επιφάνεια του υλικού και να έχει ως αποτέλεσμα ο τροχός να εξέλθει από αυτό ή να κλωτσήσει. Ο τροχός μπορεί να πεταχτεί προς το χειριστή ή μακριά από αυτόν, ανάλογα με την κατεύθυνση κίνησης του τροχού στο σημείο της στένωσης. Οι λειαντικοί τροχοί μπορεί επίσης να σπάσουν κάτω από αυτές τις συνθήκες. Το κλώστωμα προκαλείται όταν το ηλεκτρικό εργαλείο χρησιμοποιείται λανθασμένα ή/και όταν οι διαδικασίες ή οι συνθήκες λειτουργίας είναι λανθασμένες, ενώ μπορεί να αποφευχθεί αν ληφθούν οι κατάλληλες προφυλάξεις που αναφέρονται παρακάτω.

- a) **Να κρατάτε το ηλεκτρικό εργαλείο καλά και να τοποθετείτε το σώμα και το βραχιονά σας με τρόπο ώστε να αντιστέκονται στις δυνάμεις του κλωστήματος.** Ο χειριστής μπορεί να ελέγχει τις δυνάμεις κλωστήματος αν λάβει τις κατάλληλες προφυλάξεις.
- b) **Να είστε ιδιαίτερα προσεκτικοί όταν εργάζεστε σε γωνίες, αιχμηρές άκρες, κτλ. Να αποφεύγετε**

την αναπήδηση και το σκάλωμα του εξαρτήματος. Οι γνώμες, οι αιχμηρές άκρες ή η αναπήδηση έχουν την τάση να σκαλώνουν το περιστρεφόμενο εξάρτημα και να προκαλούν την απώλεια ελέγχου ή το κλώτσημα.

γ) Μην προσαρτάτε μια οδοντωτή λάμα. Τέτοιες λάμες δημιουργούν συχνά κλώτσημα και απώλεια του ελέγχου.

δ) Πάντοτε να τροφοδοτείτε τη μύτη μέσα στο υλικό κατά την ίδια κατεύθυνση με αυτή που εξέρχεται από το υλικό η ακμή κοπής (η οποία είναι η ίδια κατεύθυνση με αυτή του πετάγματος των ριναμάτων). Η τροφοδοσία του εργαλείου με τη λάθος κατεύθυνση προκαλεί την έξοδο της αιχμής κοπής από το σημείο της εργασίας και το τρόβηγμα του εργαλείου προς την κατεύθυνση αυτής της τροφοδοσίας.

**Προειδοποιήσεις ασφαλείας ειδικά για τη λείανση:**

α) Να χρησιμοποιείτε μόνο τα είδη των τροχών που συνιστώνται για το ηλεκτρικό εργαλείο σας και μόνο για τις συνιστώμενες εφαρμογές.

β) Μην τοποθετείτε το χέρι σας στην ίδια ευθεία και πίσω από τον περιστρεφόμενο τροχό. Όταν ο τροχός, στο σημείο της εργασίας, μετακινείται μακριά από το χέρι σας, ένα πιθανό κλώτσημα ενδεχομένως να προωθήσει τον περιστρεφόμενο τροχό και το ηλεκτρικό εργαλείο κατευθείαν επάνω σας.

**Επιπρόσθετες προειδοποιήσεις ασφαλείας:**

21. Το εργαλείο αυτό προορίζεται για χρήση με συνδεδεμένους λειαντικούς σημειακούς τροχούς (λειαντικές πέτρες) μόνιμα τοποθετημένους σε απλή άτρακτο χωρίς σπείρωμα (άξονες).
22. Βεβαιωθείτε ότι ο τροχός δεν ακουμπά το τεμάχιο εργασίας πριν ενεργοποιήσετε το διακόπτη λειτουργίας.
23. Πριν χρησιμοποιήσετε το εργαλείο σε ένα πραγματικό τεμάχιο εργασίας, να το αφήνετε να λειτουργεί για λίγη ώρα. Να προσέχετε για κραδασμούς ή κινήσεις που θα μπορούσαν να υποδειξουν κακή τοποθέτηση ή κακή ισορροπηση του τροχού.
24. Να χρησιμοποιείτε την καθορισμένη επιφάνεια του τροχού για την εκτέλεση του τροχίσματος.
25. Προσέχετε τις σπίθες που πετάνονται. Να κρατάτε το εργαλείο με τρόπο ώστε οι σπίθες να πετάνονται μακριά από εσάς, άλλα άτομα ή εύφλεκτα υλικά.
26. Μην εγκαταλείπετε το εργαλείο σε λειτουργία. Το εργαλείο πρέπει να βρίσκεται σε λειτουργία μόνο όταν το κρατάτε.
27. Μην αγγίζετε το τεμάχιο εργασίας αμέσως μετά τη λειτουργία του εργαλείου. Μπορεί να είναι εξαιρετικά θερμό και να προκληθεί έγκαυμα στο δέρμα σας.
28. Να τηρείτε τις οδηγίες του κατασκευαστή όσον αφορά τη σωστή τοποθέτηση και χρήση των τροχών. Να χειρίζεστε και να αποθηκεύετε τους τροχούς με προσοχή.
29. Ελέγξτε ότι το τεμάχιο εργασίας υποστηρίζεται σωστά.
30. Εάν το περιβάλλον εργασίας είναι πολύ ζεστό και υγρό ή εάν έχει ρυπανθεί με υπερβολική αγωγιμότητα

σκόνη, να χρησιμοποιείτε ασφάλεια βραχυκυκλώματος (30 mA) για να εξασφαλίσετε την ασφάλεια του χειριστή.

31. Μην χρησιμοποιείτε το εργαλείο σε κανένα υλικό που περιέχει αμίαντο.
32. Να βεβαιώνετε πάντοτε ότι στέκεστε σταθερά. Όταν χρησιμοποιείτε το εργαλείο σε υψηλές τοποθεσίες, να βεβαιώνετε ότι δεν βρίσκεται κανένας από κάτω.

## ΦΥΛΑΞΤΕ ΑΥΤΕΣ ΤΙΣ ΟΔΗΓΙΕΣ.

### ⚠️ ΠΡΟΕΙΔΟΠΟΙΗΣΗ:

**MHN** αφήσετε την άνεση ή την εξοικειωσή σας με το προϊόν (που αποκτήθηκε από επανειλημμένη χρήση) να αντικαταστήσει την αυστηρή προσήλωση στους κανόνες ασφαλείας του εν λόγω προϊόντος. Η **ΛΑΝΘΑΣΜΕΝΗ ΧΡΗΣΗ** ή η μη τήρηση των κανόνων ασφαλείας που διατυπώνονται στο παρόν εγχειρίδιο οδηγούν μπορεί να προκαλέσει σοβαρό ατομικό τραυματισμό.

## ΠΕΡΙΓΡΑΦΗ ΛΕΙΤΟΥΡΓΙΑΣ

### ΠΡΟΣΟΧΗ:

- Να βεβαιώνετε πάντοτε ότι το εργαλείο είναι σβηστό και αποσυνδεδεμένο από το ηλεκτρικό ρεύμα πριν ρυθμίζετε ή ελέγχετε κάποια λειτουργία του.

### Δράση διακόπτη (Εικ. 1)

#### ΠΡΟΣΟΧΗ:

- Πριν συνδέσετε το εργαλείο σε πρίζα, πάντοτε να ελέγχετε ότι ο κυλιόμενος διακόπτης ενεργοποιείται σωστά και επιστρέφει στη θέση "OFF" όταν πιέζετε το πίσω μέρος του κυλιόμενου διακόπτη.

Για να ξεκινήσετε τη λειτουργία του εργαλείου, ολισθήστε τον κυλιόμενο διακόπτη στη θέση "I (ON)". Για συνεχόμενη λειτουργία, πιέστε το μπροστινό μέρος του κυλιόμενου διακόπτη για να τον ασφαλίσετε.

Για να διακόψετε τη λειτουργία του εργαλείου, πιέστε το πίσω μέρος του κυλιόμενου διακόπτη και κατόπιν ολισθήστε τον στη θέση "O (OFF)".

## ΣΥΝΑΡΜΟΛΟΓΗΣΗ

### ΠΡΟΣΟΧΗ:

- Να βεβαιώνετε πάντοτε ότι το εργαλείο είναι σβηστό και αποσυνδεδεμένο από το ηλεκτρικό ρεύμα πριν εκτελέσετε οποιαδήποτε εργασία σε αυτό.

### Τοποθέτηση ή αφαίρεση του σημειακού τροχού (Εικ. 2)

Χαλαρώστε το παξιμάδι κολάρου και εισάγετε τον σημειακό τροχό στο παξιμάδι κολάρου. Χρησιμοποιήστε ένα κλειδί για να κρατήσετε την μπομπίνα και το άλλο κλειδί για να σφίξετε καλά το παξιμάδι κολάρου.

Ο σημειακός τροχός δεν θα πρέπει να τοποθετείται περισσότερο από 10 χιλιοστά από το παξιμάδι κολάρου. Αν υπερβείτε την απόσταση αυτή, μπορεί να προκληθεί δόνηση ή σπάσιμνο του άξονα. (Εικ. 3)

Για να αφαιρέσετε τον σημειακό τροχό, ακολουθήστε τη διαδικασία τοποθέτησης με αντίστροφη σειρά.

## ΠΡΟΣΟΧΗ:

- Χρησιμοποιήστε το σωστό μέγεθος του κώνου του κολάρου για τον σημειακό τροχό που σκοπεύετε να χρησιμοποιήσετε.

## ΛΕΙΤΟΥΡΓΙΑ (Εικ. 4)

Ενεργοποιήστε το εργαλείο χωρίς να έρχεται σε επαφή ο σημειακός τροχός με το τεμάχιο εργασίας και περιμένετε έως ότου ο σημειακός τροχός φτάσει στην πλήρη ταχύτητά του. Κατόπιν, τοποθετήστε απαλά τον σημειακό τροχό στο τεμάχιο εργασίας. Για να έχετε ένα καλό τελείωμα, μετακινήστε το εργαλείο αργά προς τα αριστερά.

## ΠΡΟΣΟΧΗ:

- Να εφαρμόζετε ελαφριά πίεση στο εργαλείο. Η υπερβολική πίεση στο εργαλείο θα προκαλέσει μόνο ανεπαρκές τελείωμα και υπερφόρτωση του μοτέρ.

## ΣΥΝΤΗΡΗΣΗ

### ΠΡΟΣΟΧΗ:

- Να βεβαιώνετε πάντοτε ότι το εργαλείο είναι σβηστό και αποσυνδεδεμένο από το ηλεκτρικό ρεύμα πριν εκτελέσετε οποιαδήποτε εργασία ελέγχου ή συντήρησης σε αυτό.
- Μην χρησιμοποιήσετε βενζίνη, βενζόλη, διαλυτικό, αλκοόλη ή κάτι παρόμοιο. Μπορεί να προκληθεί αποχρωματισμός, παραμόρφωση ή ρωγμές.

Για να διατηρείται η ΑΣΦΑΛΕΙΑ και η ΑΞΙΟΠΙΣΤΙΑ του προϊόντος, οι εργασίες επισκευής, ο έλεγχος και η αλλαγή των καρβουνακίων, καθώς και οποιαδήποτε άλλη εργασία συντήρησης και ρύθμισης, θα πρέπει να εκτελούνται σε εξουσιοδοτημένα κέντρα εξυπηρέτησης της Makita, και πάντοτε με τη χρήση ανταλλακτικών της Makita.

## ΠΡΟΑΙΡΕΤΙΚΑ ΑΞΕΣΟΥΑΡ

### ⚠ ΠΡΟΣΟΧΗ:

- Συνιστάται η χρήση αυτών των αξεσουάρ ή εξαρτημάτων με το εργαλείο της Makita, όπως περιγράφεται στο παρόν εγχειρίδιο. Αν χρησιμοποιήσετε άλλα αξεσουάρ ή εξαρτήματα μπορεί να παρουσιαστεί κίνδυνος για πρόκληση τραυματισμού προσώπων. Να χρησιμοποιείτε τα αξεσουάρ και τα εξαρτήματα μόνο για το σκοπό για τον οποίο προορίζονται.

Αν χρειάζεστε κάποια βοήθεια ή περισσότερες πληροφορίες σχετικά με τα αξεσουάρ αυτά, απευθυνθείτε στο πλησιέστερο κέντρο εξυπηρέτησης της Makita.

- Σημειακοί τροχοί
- Σετ κώνου κολάρου (3 mm, 6 mm, 8 mm, 1/4", 1/8")
- Κλειδί 13
- Σετ πλαινής λαβής

## Πλαινή λαβή (Εικ. 5)

Όταν χρησιμοποιείτε την πλαινή λαβή, βγάλετε το λαστιχένιο προστατευτικό, τοποθετήστε την πλαινή λαβή στο κύριο τμήμα του εργαλείου έως το τέarma και περιστρέψτε την πλαινή λαβή στην επιθυμητή γωνία. Κατόπιν περιστρέψτε τη λαβή δεξιόστροφα για να τη σφίξετε καλά.

## ΠΡΟΣΟΧΗ:

- Όταν χρησιμοποιείτε το εργαλείο χωρίς λαβή, να τοποθετείτε πάντα το λαστιχένιο προστατευτικό στο εργαλείο.
- Όταν τοποθετείτε το λαστιχένιο προστατευτικό, να το σπρώχνετε πάντοτε στο εργαλείο έως ότου η προεξοχή στο εσωτερικό του ελαστικού εφαρμόζει στις εγκοπές του εργαλείου.

## ΣΗΜΕΙΩΣΗ:

- Ορισμένα από τα στοιχεία της λίστα μπορεί να περιέχονται στην συσκευασία του εργαλείου ως κανονικά αξεσουάρ. Αυτά ενδέχεται να διαφέρουν από χώρα σε χώρα.

## Θορύβος

ENG905-1

Το σύνθηες σταθμισμένο επίπεδο θορύβου που έχει καθοριστεί σύμφωνα με την EN60745:

Επίπεδο ηχητικής πίεσης ( $L_{pA}$ ): 76 dB (A)

Αβειαιότητα (K): 3 dB (A)

Το επίπεδο θορύβου κατά τη λειτουργία ενδέχεται να υπερβεί τα 80 dB (A).

### Να φοράτε ωτοασπίδες.

## Δόνηση

ENG900-1

Η συνολική τιμή δόνησης (διανυσματικό άθροισμα τριών αξόνων) που έχει καθοριστεί σύμφωνα με την EN60745:

Κατάσταση λειτουργίας: τρόχισμα επιφάνειας

Εκπομπή κραδασμού ( $a_{h,SG}$ ): 2,5 m/s<sup>2</sup>

Αβειαιότητα (K): 1,5 m/s<sup>2</sup>

ENG902-1

- Η δηλωθείσα τιμή των παραγομένων κραδασμών έχει καταμετρηθεί σύμφωνα με την τυποποιημένη μέθοδο δοκιμασίας και μπορεί να χρησιμοποιηθεί για την σύγκριση ενός εργαλείου με ένα άλλο.
- Η δηλωθείσα τιμή των παραγομένων κραδασμών μπορεί επίσης να χρησιμοποιηθεί για μια προκαταρκτική αξιολόγηση της έκθεσης στους κραδασμούς.
- Η δηλωθείσα τιμή των παραγομένων κραδασμών χρησιμοποιείται για τις κύριες χρήσεις του ηλεκτρικού εργαλείου. Ωστόσο, εάν το ηλεκτρικό εργαλείο χρησιμοποιηθεί για άλλες εφαρμογές, η τιμή των παραγομένων κραδασμών μπορεί να είναι διαφορετική.

### ⚠ ΠΡΟΕΙΔΟΠΟΙΗΣΗ:

- Η εκπομπή κραδασμών κατά τη διάρκεια της πραγματικής χρήσης του ηλεκτρικού εργαλείου μπορεί να διαφέρει από τη δηλωθείσα τιμή των εκπομπών, ανάλογα με τον τρόπο με τον οποίο χρησιμοποιείται το εργαλείο.
- Φροντίστε να λάβετε τα μέτρα ασφαλείας που απαιτούνται για την προστασία του χρήστη που βασίζονται σε μια εκτίμηση της έκθεσης σε πραγματικές συνθήκες χρήσης (λαμβάνοντας υπόψη όλα τα μέρη του κύκλου λειτουργίας, όπως είναι οι περιπτώσεις κατά τις οποίες το εργαλείο είναι απενεργοποιημένο και όταν λειτουργεί στο ρελαντί επιπρόσθετως του χρόνου κατά τον οποίο το εργαλείο βρίσκεται σε χρήση).

## ΕΚ Δήλωση συμμόρφωσης Για Ευρωπαϊκές χώρες μόνο

Η δήλωση συμμόρφωσης ΕΚ περιλαμβάνεται ως παράρτημα Α σε αυτό το εγχειρίδιο οδηγιών.



**Makita Europe N.V.** Jan-Baptist Vinkstraat 2,  
3070 Kortenberg, Belgium

**Makita Corporation** 3-11-8, Sumiyoshi-cho,  
Anjo, Aichi 446-8502 Japan