

SRT25  
SRT40  
SRT58

**Operating Instructions**  
(Original Instructions)

**Betriebsanleitung**  
(Übersetzung der Ursprünglichen Anweisungen )

**Gebruiksaanwijzing**  
(Vertaling van de Oorspronkelijke Gebruiksaanwijzing)

**Käyttöohjeet**  
(Alkuperäisten Ohjeiden Käännös)

**Bruksvisning**  
(Oversættelse av de Originale Instruksjonene)

**Bruksvisning**  
(Översättning av de Ursprungliga Undervisningarna)

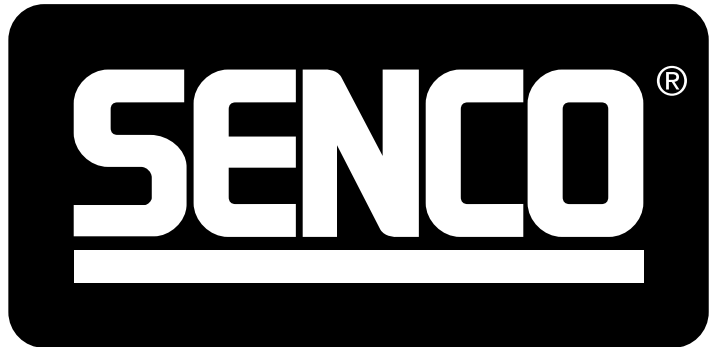
**Brugsanvisning**  
(Oversættelse af de Originale Instruktioner)

**Mode d'Emploi**  
(Traduction des Instructions Originales)

**Instrukcja obsługi**  
(Tłumaczenie oryginalnej instrukcji)



**WARNING:** Please read the instructions and warnings for this tool carefully before use.  
Failure to do so could lead to serious injury.



KYOCERA SENCOR Netherlands B.V.  
Pascallaan 88  
8218 NJ Lelystad, The Netherlands  
+31 320 295 575  
senco.com  
EMEA: senco.eu

**NFE29V9V • Revised November 6, 2020 (Replaces 16/09/2020)**

<b>EN</b>	English	3
<b>DE</b>	Deutsch	14
<b>NL</b>	Nederlands	24
<b>FR</b>	Français	34
<b>FI</b>	Suomi	44
<b>NO</b>	Norsk	54
<b>SE</b>	Svenska	64
<b>DK</b>	Dansk	74
<b>PL</b>	Polski	84

# TABLE OF CONTENTS

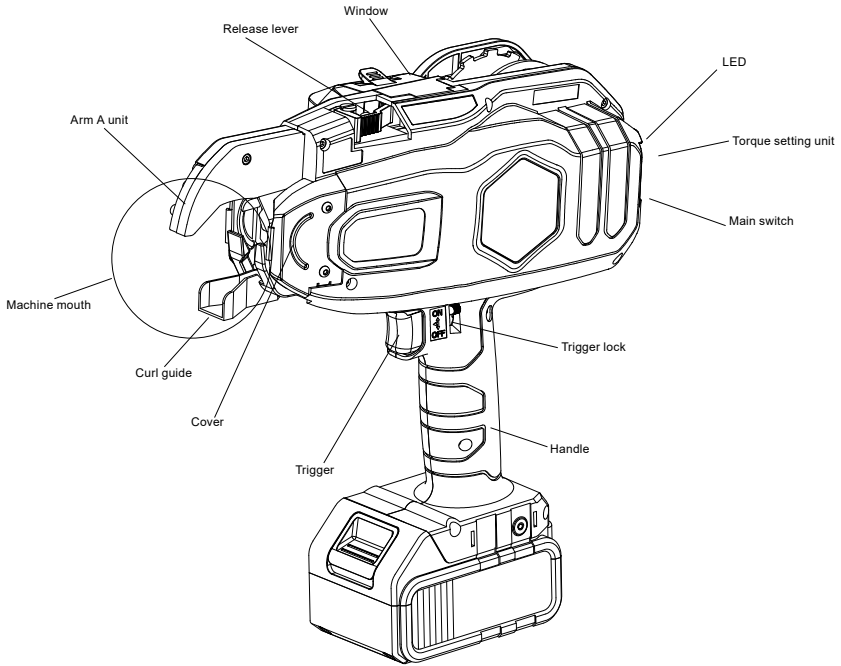
- Specifications and technical information ..... 4
- Machine specification ..... 6
- Wire specification ..... 6
- Safety features..... 6
- Battery..... 6
- Safety instructions ..... 7
- Precautions ..... 8
- How to use ..... 9
  
- Loading the wire coil..... 9
- How to replace the wire coil ..... 10
- Correct use ..... 10
- Maintenance ..... 11
- Storage..... 11
- Troubleshooting / repairs ..... 11
- Troubleshooting ..... 12
- Declaration Of Conformity..... 84
- Limited Warranty..... 85

# Specifications and technical information

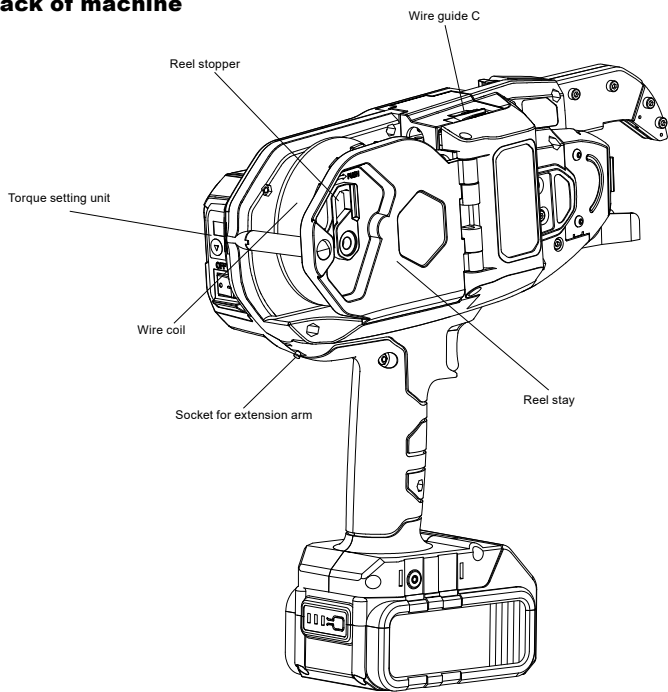


**Warning: Read this user guide before use. The user guide should be kept together with the rebar tying tool.**

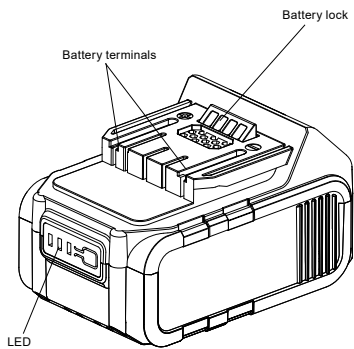
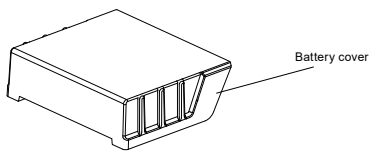
## Front of the machine



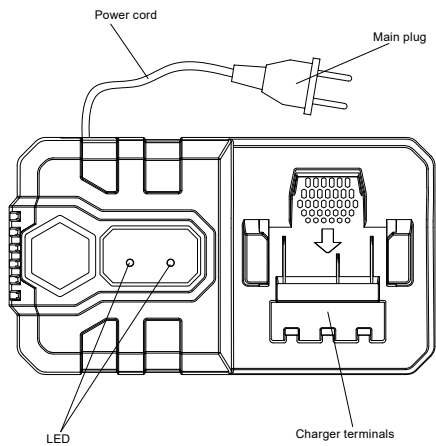
### Back of machine



### Battery



### Charger



## Machine specification

Technical info.	SRT25	SRT40	SRT58
Article no.	9VS2003N	9VS2002N	9VS2004N
Weight	2.5 kg	2.6 kg	2.8 kg
Size (L×B×H)	281×109×300 mm	297×109×300 mm	312×109×310 mm
Wraps per tie	2 or 3	2 or 3	2 or 3
Workpiece thickness	8-25 mm	12-40 mm	30 - 58 mm
Ties per charge	+5.000 (3 wraps)	+4.500 (3 wraps)	+4.000 (3 wraps)
Battery	18V 4,0Ah Li-ion		
Charger	Use only approved battery charger (VB0153EU).		
Charging time	Full charge = 90 min.		
Sound pressure level (L <sub>pa</sub> ) dB		68,1	
Sound power level (L <sub>wa</sub> ) dB		79,1	
Vibration level m/s <sup>2</sup>		1,5	

## Wire specification

Model	Box: 20 coils (08A20) Box: 40 coils (08A40)		
Diameter	0.8 mm		
Length	approx. 100 m		
Material	Galv.		
Ties per coil	SRT25	SRT40	SRT58
2 wraps	approx. 220	approx. 160	approx. 120
3 wraps	approx. 160	approx. 120	approx. 90

### Applications

Tying of re-bars used for: prefab. concrete elements, on-site concrete constructions, floors and walls. Tying of floor heating pipes.

### Safety features

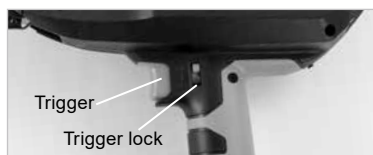
To increase safety when tying, the rebar tying tool is equipped with safety features.



**WARNING!** Before use, make sure that the device works as intended. Otherwise, do not use the rebar tying tool.

### Trigger lock

The rebar tying tool is equipped with a trigger lock. Lock the trigger and remove the battery when the rebar tying tool is not in use.



When you start tying, release the trigger lock by pushing the lock left and upwards.

### Curl guide

If you pull the trigger while the curl guide is open, the rebar tying tool will make a warning sound and refuse to tie. To start tying, release the trigger and make sure that the curl guide is closed.



### Battery

#### Durability of the battery

If the battery is fully charged, but the operating time is significantly reduced, the battery is defective and must be replaced. If the battery temperature is low (10°C or lower) the charging time will be prolonged.



**WARNING!** Do not use defective batteries. The rebar tying tool will not work properly.

### Disposal of batteries

Batteries contain substances that can be harmful to human health and the environment if they are not handled properly. Batteries are marked with the crossed trash bin. It symbolises that waste batteries must not be disposed with unsorted waste but must be collected separately.

It is important that you hand in your waste batteries to the collection points that are established. In this way, you help to ensure that the batteries are recycled in accordance with legislation and do not unnecessarily damage the environment. Your local waste authorities can inform you how to dispose and recycle this type of battery correctly.

## Safety instructions

**WARNING!** To avoid serious injuries to persons or property, please read these safety instructions carefully and make sure you understand them.



### Points of attention when using the rebar tying tool

Using the rebar tying tool for other purposes or other applications than described in this manual can result in serious accidents. Please make sure that you follow all instructions in the manual. People who have nothing to do on the work site, especially children, should be kept out of the work site and should not have access to this equipment.

### Use appropriate protection gear.

Employer and operator must make sure that the operator uses proper eye protection when the tool is used. This protection must comply with current laws and norms.

**NB:** Glasses without side protection and single-sided protection screen do not provide adequate protection.

### Earmuffs can be necessary.

On a lot of work sites, it can be necessary to wear earmuffs, to avoid permanent damage to the hearing. Employers and employees must make sure that proper earmuffs can be found and is used on the work site.

### No children near the rebar tying tool.

Do not allow spectators, especially children, near the machine while working with it.

### Do not use the rebar tying tool near flammable substances.

Never use the rebar tying tool near any flammable substances or fumes. The fumes from these can be sucked into the engine and cause an explosion.

### Do not use the rebar tying tool in wet or damp environments.

If the rebar tying tool is used in direct rain or water, damp environments or similar, the risk of getting an electrical shock is increased. Do not leave the rebar tying tool where it can be exposed to this.

### Check the parts of the rebar tying tool before sliding in the battery.

Check that all screws are tightened properly. Improper tightening of screws can result in an accident or breakage. Make sure that all parts are intact. Parts will be worn out over time. Check also that no parts are damaged, defective or worn. If parts are missing or need to be repaired, contact your dealer immediately. Use only parts approved by the manufacturer.

### Set the main switch in OFF position and lock the trigger when changing the battery or changing/adjusting the wire coil. Remove the battery if an error occurs and the machine cannot be used.

If the machine is left on, it may cause damage.

### Keep clear of the nose, feeding gears and wire coil during use of the rebar tying tool.

DO NOT hold your fingers near the nose or other moving parts as the wire and moving parts easily can cause damage.

### Keep clear of the machine mouth during use of the rebar tying tool.

Do not touch the wire or the machine mouth when the machine is tying. You may get caught in the wire loop and suffer serious injury.

### Do not point the rebar tying tool towards others during use.

People can get hurt if they are caught in the machine during use. When tying, be careful and stay clear of the moving parts.

### Do not touch the trigger unless you have to.

When carrying the rebar tying tool and when not tying, remember to set the main switch in OFF position, and lock the trigger. If not, you will risk activating the rebar tying tool unintentionally and cause a dangerous situation.

### Do not use the rebar tying tool during a malfunction.

If the rebar tying tool does not work correctly, set the main switch in OFF position, lock the trigger and remove the battery before checking what is wrong. If necessary, contact your dealer and have the rebar tying tool repaired.

**When sliding in the battery, check the following points. Do not load a wire coil in the rebar tying tool if:**

- There is a sound from the curl guide, even though the rebar tying tool is not in use.
- The rebar tying tool is warmer than usual, smells odd, or a noise is coming from the machine when not in use.

If one of the above-mentioned points occur and you continue to use the rebar tying tool without correction the error, it may cause damage to the machine. If it is not possible to correct the error, contact your dealer.

**Do not make any modifications to the rebar tying tool.**

Modifying the rebar tying tool does not only reduce the function of it, but also the level of security. Do not make any modifications to the rebar tying tool.

**Make sure that the rebar tying tool is in good condition.**

To maintain the functionality and the quality from the work of the rebar tying tool, maintain it properly and make sure that it is being serviced on a regular basis. Remember to keep the handle free of oil and dirt.

**Use only approved batteries.**

Use only the approved type of battery 18V 4.0Ah Li-ion for this rebar tying tool. If using another power source, for example another type of battery, dry cell battery or a car battery, the machine can break down or burst into flames.

**Charge the batteries before use.**

A new battery or a battery which has not been used for a long period of time, may be discharged and has to be fully recharged before use.

**Precautions for battery charging, chargers and batteries**

**Use only an approved charger.**

Use only the approved charger which comes with the rebar tying tool and batteries. The batteries cannot be recharged with other chargers – this may cause damage, overheating or fire.

**Recharge the batteries with the correct voltage.**

Make sure that the charger is connected to an ordinary 100-240V AC power source. Do not connect the charger to a power source with another voltage than 100-240V AC. If using another voltage than 100-240V AC will cause a malfunction and/or overheating, causing damage to the battery and charger.

**Never use a booster-type transformer.**

**Never charge the battery in a wet or damp environment.**

Charging a wet or damp battery or using a damp charger may cause an electric shock or short circuit.

**Do not touch the plug or charger with a wet hand or glove.**

You will risk injury from electric shock.

**Do not cover or place anything on the charger during use.**

The charger may become overheated and eventually catch fire.

**Make sure not to place charger and battery next to a heating source or open fire.**

**Do not place the battery near flammable items.**

**Charge the battery in a well ventilated place.**

Avoid placing it in direct sunlight.

**Charge the battery at a temperature between +5° and +40° Celsius.**

**Leave the charger to rest between charges.**

**Keep the charger's connectors clean.**

All objects on the connectors can cause electric shock or malfunction. Use the charger in a dust- and dirt-free environment.

**Handle the charger cord carefully.**

Do not carry the charger in the cord, and do not unplug it by pulling the cord. You will risk that the cord becomes damaged and will cause a malfunction. A damaged cord must be replaced or repaired.

**Put the battery cover on the battery terminals when not in use.**

This must be done to prevent a short circuit in the battery.

**Make sure that the battery terminals do not touch each other.** A short circuit between the terminals will overheat and damage the batteries.



## Loading the wire coil.

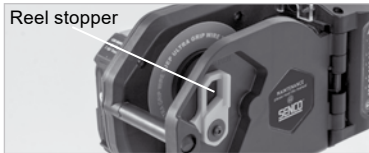


**WARNING!** Set the main switch in OFF position, activate the trigger lock and remove the battery.

1. Push the release lever until it is caught by the release stopper.



2. Push the reel stopper to open the reel stay.



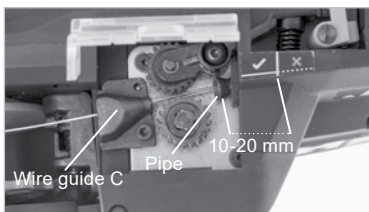
3. Insert the wire coil with the wire-end upwards and forward. Carefully close the reel stay and secure the reel stopper.



4. Release the wire and remove the rubber band.



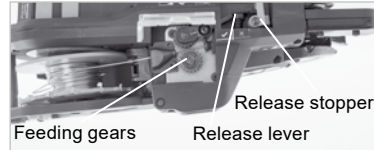
5. Insert the tip of the wire into wire guide C, through the gap of the feeding gears and all the way into the pipe. (10-20 mm)



**If the window is dirty and it is difficult to determine the position of the wire guide C.**

Clean the inside of the window with a soft cloth. Close the window again to prevent the ingress of foreign bodies in the machine.

6. Push the release stopper and make sure that the release lever is back in original position and that the feeding gears are clamping the wire.



7. Make sure that the wire is tight and firm. Prevent the wire from curling up behind the wire coil. This may cause a jam.



**WARNING!** When the main switch is set to ON, do not place your fingers near the machine mouth or other moving parts of the machine! Avoid switching the main switch repeatedly between ON and OFF. This can cause a machine breakdown. Do not touch the wire while the machine is running.



8. Slide in the battery and set the main switch to ON.



9. Release the trigger lock, before starting to tie.



### 10. Adjusting the wraps

By default the machine is set for 3 wraps. Changing the setting to 2 wraps: Turn off the machine on the main switch. Press and hold the trigger while turning on the main switch. The machine is now set for 2 wraps per tie. If the machine is turned off, it will automatically be set for 3 wraps again.



11. The torque setting unit adjusts the tension of the ties. 1. digit displays the wrap setting (3 is default) and 2. digit displays the torque setting.

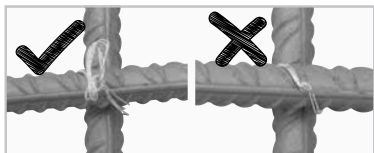
The torque can be adjusted higher (▲) or lower (▼) by means of the push buttons.

We recommend:

- 2 wraps = position 1-5
- 3 wraps = position 6-9

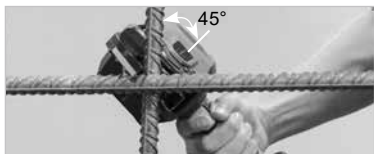


12. Perform a test tie, to check if the torque is set correctly.



### Correct use

1. Place the arm A unit in a 45° angle over the re-bar cross surface and push the mouth towards the re-bar.

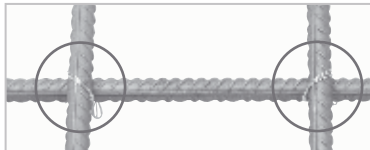


2. Place Arm A perpendicularly on top of the re-bar cross surface and with the mouth centred over the cross.



**WARNING!** Do not move the rebar tying tool while it is tying.

3. The ties should be made in alternating directions.



4. Cross-tying.

Bend down the knot of the first tie, before you make the second tie.



### How to replace the wire coil.



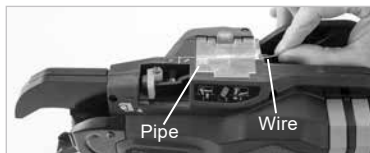
**WARNING!** Set the main switch to OFF position, activate the trigger lock and remove the battery.



1. Push the release lever until it is caught by the release stopper.



2. Remove the wire coil.



3. Push the reel stopper to release the reel stay and open it at the same time, and remove the wire coil.



4. Load new wire coil (refer to the instructions for loading wire coil on page 9)

5. Battery saving function.

The machine will automatically shut down after 10 min stand-by without being used.

## Maintenance

1. Clean and check the rebar tying tool on a regular basis.

2. Clean the feeding gear and surrounding areas on a regular basis, to avoid dust and metal residue getting into the machine and causing problems. This can be done with an air blow gun.



3. Clean the brake gear with compressed air and apply non-acid oil.



## Storage

The rebar tying tool must not be stored in cold conditions. It should be kept at approx. 20°C. When the machine is not in use, it should be stored under warm and dry conditions. Keep the machine out of the reach of children.

## Troubleshooting / repairs

The rebar tying tool will eventually need maintenance service and replacement of worn parts due to normal wear and tear. Troubleshooting and/or repairs are only to be carried out by authorised dealers or specialists.

The rebar tying tool warns about malfunctions using beep sounds. Follow the matrix on page 12 to find out what is wrong.

**WARNING!** If one of the problems listed on page 12 occurs, set the main switch to OFF position, before trying to solve the issue.

When the main switch is set to ON - do not place your fingers near the curl guide or other moving parts of the machine. If the problem still occurs, set the main switch to OFF and contact the dealer.

# Troubleshooting

Normal Operation	Problem	Warning Sound	Cause	What to Check	Solution
Power on → The Tip Axis is initialized and the wire-cutter operates automatically.	No operation takes place.	No sound emitted.	Battery completely empty. Electrode plate has been oxidized.	Confirm the battery is charged. Take out the battery and see if the electrode has been brown.	Perform normal charge. Polish terminal part of battery pack with dry cloth, etc.
		Pi, pi, pi...	Curl guide is open. Binding wire has been entangled around Twist section.	Open/close curl guide. Turn off power and take out the battery to confirm if binding wire has been entangled inside curl guide.	Fully close curl guide. Turn off power; remove binding wire inside curl guide.
	Tip Axis Initializing fails	7 beeps. Pi-pi-pi-pi-pi-pi, Pi-pi-pi-pi-pi-pi-pi...	Battery is empty. There is foreign substance between Magnetic plate (Pos. 326) and Route PWB unit (Pos. 325). Or bad connection of connecting wire "P" and/or "M".	Confirm the battery is charged. Check if there is foreign substance between Magnetic plate (Pos. 326) and Route PWB unit (Pos. 325). Or check the wire "P" and/or "M" connection.	Perform normal charge. Remove the foreign substance between Magnetic plate (Pos. 326) and Route PWB unit (Pos. 325). Or replace a new connecting wire "P" and/or "M".
		1 beep	Bad connection of connecting wire "A" and/or "U". Or twisting motor is burned.	Check the wire "A" and/or "U" connection.	Reconnect or replace the wire "A" and/or "U". Or replace a new twisting motor.
Trigger ON → Wire is sent out.	No wire is sent out.	2 beeps Pi-pi, Pi-pi...	Curl guide is open.	Open/close curl guide.	Fully close curl guide.
		3 beeps Pi-pi-pi, Pi-pi-pi...	Tie-wire has run out. Wire caught inside reel.	Check if the Tie-wire has been run out. Check if wire inside reel has been loosened and caught.	Set the new tie wire. Remove fray on reel.
			A foreign object or a loop on the wire is blocking the wire guide or mouth. Poor connection on the wire guide engine or the engine is defective	Check for foreign objects or loops on the wire. Check the connections and wire guide engine.	Remove the foreign objects with compressed air etc. Cut of the loop and insert the wire again. Clean the connections. Replace if necessary the wire guide engine.
		A wire is caught in the cutter section or Wire guide A.	Check if any wire is caught.	Disassemble the cutter section and remove the caught wire.	

Normal Operation	Problem	Warning Sound	Cause	What to Check	Solution
Binding wire draws a circle.	Curl is disordered and steps out of curl guide.	No sound emitted.	Wire, by hitting reinforcing bars, was repelled.	Check if wire hits reinforcing bars at binding.	Pay attention so that wire does not hit reinforcing bars at binding.
	Wire is subject to cutting.	No sound emitted.	Cutter section is blocked with foreign substance or the cutting knife is worn out.	Check that all parts of the cutter section is working.	Clean the cutter unit with compressed air and replace worn out parts if necessary.
Wire twisting takes place.	Wire gets entangled.	No sound emitted.	Wire, by hitting reinforcing bars, was repelled.	Check if wire hits reinforcing bars at binding.	Pay attention so that wire does not hit reinforcing bars at binding.
		7 beeps. Pi-pi-pi-pi-pi-pi, Pi-pi-pi-pi-pi-pi-pi...	There is foreign substance between Magnetic plate (Pos. 326) and Route PWB unit (Pos. 325). Or bad connection of connecting wire "P" and/or "M".	Check if there is foreign substance between Magnetic plate (Pos. 326) and Route PWB unit (Pos. 325). Or bad connection of connecting wire "P" and/or "M".	Remove the foreign substance between Magnetic plate (Pos. 326) and Route PWB unit (Pos. 325). Or bad connection of connecting wire "P" and/or "M".
Binding power is weak.		4 beeps Pi-pi-pi-pi, Pi-pi-pi-pi...	The wire is stuck around the twister.	Check if the wire got entangled in the twister.	Remove the unwanted wire.
			Bad connection of connecting wire "A" and/or "U". Or twisting motor is burned.	Check the wire "A" and/or "U" connection.	Reconnect or replace the wire "A" and/or "U". Or replace a new twisting motor.
Twisting-off takes place.		No sound emitted.	Reinforcing bars is not of designated size.	Confirm size of reinforcing bars to be bound.	Use appropriate diameter scope.
			The tool is not held correctly against the work piece or the torque setting unit has not been adjusted correctly.	Confirm how to hold the tool against the work piece.	Adjust the torque to a higher level and use the tool correctly.
No error		No sound emitted.	Reinforcing bars is not of designated size.	Confirm size of reinforcing bars to be bound.	Use appropriate diameter scope.
			Erroneous handling such as improper application of machine.	Confirm how to apply machine to reinforcing bars.	Adjust the torque to a lower lever and insert in vertical direction, use as tilting at 45°.
		Pi-pi-pi-pi-pi.....	Low power remains in the battery pack.	Confirm the battery is fully charged.	Perform normal charge.
		6 beeps Pi-pi-pi-pi-pi-pi, Pi-pi-pi-pi-pi-pi-pi...	The tool is used at high temperature.	Check the temperature at the job site.	Leave the tool and the battery pack at normal temperature in the room for some time, and then continue the operation.

# Inhaltsverzeichnis

DE

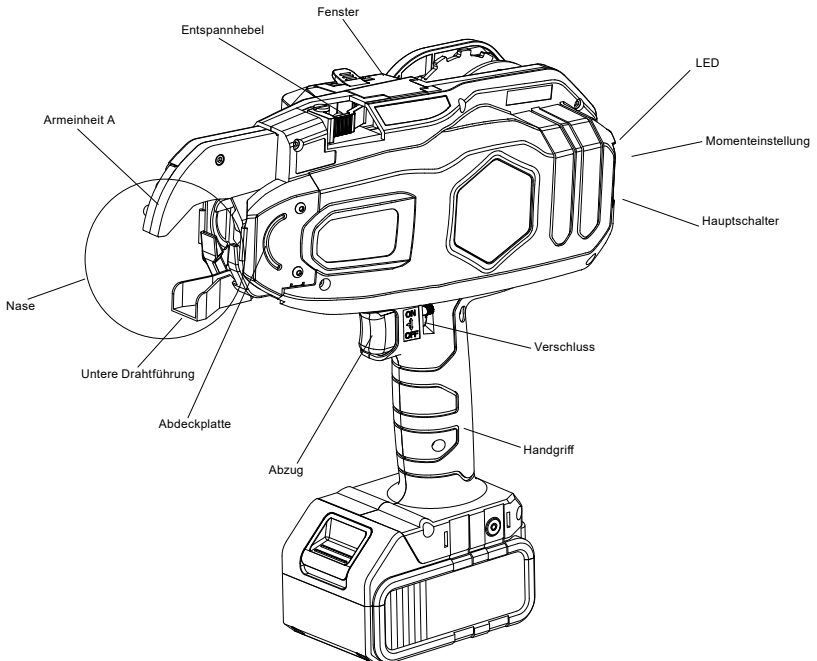
Spezifikationen und Technische Daten .....	14	Montage der Drahtrolle.....	19
Maschinendaten .....	16	So wird die Drahtrolle getauscht .....	20
Drahtdaten .....	16	Für korrekte Vorspannung.....	20
Sicherheitseinrichtungen .....	16	Wartung und Pflege.....	21
Akku .....	16	Aufbewahrung.....	21
Sicherheitshinweise.....	17	Fehlersuch / Reparaturen .....	21
Sicherheitshinweise (Laden der Batterie, Ladegeräte und Batterien).....	18	Problemlösung.....	22
Anwendung .....	19	Konformitätserklärung .....	94
		Eingeschränkte Garantie.....	95

## Spezifikationen und Technische Daten

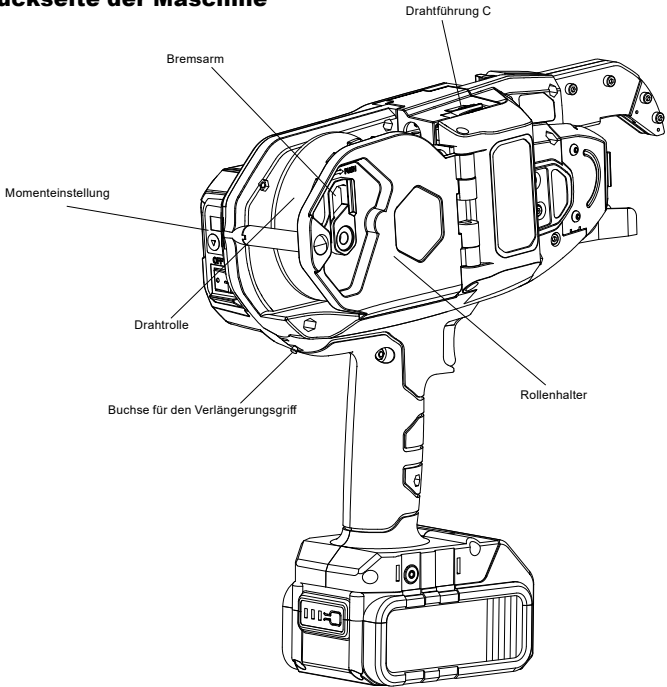


**Warnung: Lesen Sie vor Inbetriebnahme des Gerätes die Gebrauchs- und Sicherheitshinweise. Bitte bewahren Sie die Gebrauchs- und Sicherheits-hinweise zusammen mit Ihrem Gerät auf.**

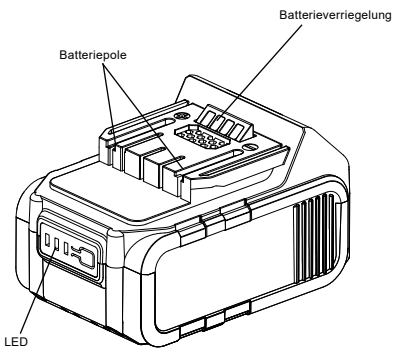
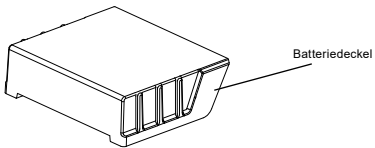
### Vorderseite der Maschine



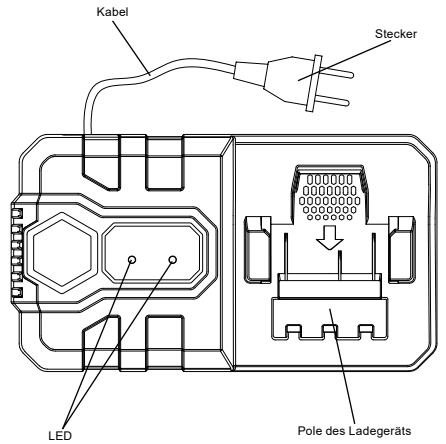
### Rückseite der Maschine



### Akku



### Ladegerät



## Maschinendaten

Technische Daten	SRT25	SRT40	SRT58
Article no.	9VS2003N	9VS2002N	9VS2004N
Gewicht	2,5 kg	2,6 kg	2.8 kg
Größe (L×B×H)	281×109×300 mm	297×109×300 mm	312×109×310 mm
Wicklungen pro Bindung	2 oder 3	2 oder 3	2 oder 3
Werkstückdicke	8-25 mm	12-40 mm	30 - 58 mm
Bindungen pro Aufladung	+5.000 (b/3 Bindungen)	+4.500 (b/3 Bindungen)	+4.000 (b/3 Bindungen)
Akku	18V 4,0Ah Li-ion		
Ladegerät	Bitte nur das dafür zugelassene Ladegeräte (VB0153EU) benutzen.		
Ladezeit	Ladezeit = 90 min.		
Schalldruckpegel (Lpa) dB		68,1	
Schalleistungspegel (Lpa) dB		79,1	
Vibrationspegel m/s2		1,5	

## Drahtdaten

Modellbezeichnung	Karton: 20 Rollen (08A20) Karton: 40 Rollen (08A40)		
Durchmesser	0,8 mm		
Länge	ca. 100 m		
Material	Verzinkt		
Bindungen/Roll	SRT25	SRT40	SRT58
2 Bindungen	ca. 220	ca. 160	ca. 120
3 Bindungen	ca. 160	ca. 120	ca. 90

## Anwendungsbereiche

Befestigung von Betonstahl für vorgefertigte Beton-elemente, bauseitige Betonkonstruktionen, Böden und Wände. Befestigung von Fußboden-Heizleitungen.

## Sicherheitseinrichtungen

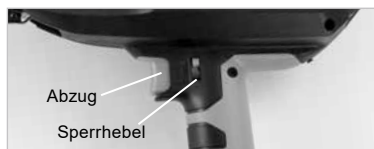
Um die Sicherheit beim Befestigen zu erhöhen, ist der Betonstahlbefestiger mit Sicherheitseinrichtungen ausgestattet.



**WARNUNG!** Bitte vor jedem Gebrauch der Maschine kontrollieren, dass die Sicherheits-einrichtungen an der Maschine auch ordnungs-gemäß funktionieren. Bitte niemals die Maschine in Gebrauch nehmen, wenn dies nicht der Fall ist.

## Abzugsperrhebel

Der Betonstahlbefestiger ist mit einer Abzugssperre aus-gestattet. Sperren Sie den Abzug und entfernen Sie die Batte-rie, wenn der Betonstahlbefestiger nicht verwendet wird.



Wenn Sie mit dem Befestigen beginnen, lösen Sie die Abzugssperre, indem Sie den Sperrhebel nach links und oben drücken..

## Unterer Schnabel

Wenn Sie den Abzug betätigen, solange die Rollenführung geöffnet ist, gibt der Betonstahlbefestiger einen Warnton von sich und funktioniert nicht. Um mit dem Binden zu beginnen, lassen Sie den Abzug los und vergewissern Sie sich, dass die Rollenführung geschlossen ist.



## Akku

### Aufladen des Akkus

Wenn der Akku voll aufgeladen ist aber seine Haltbar-keit stark herabgesetzt ist, sollte er gegen einen neuen ausgetauscht werden. Wenn die Temperatur des Akkus 10° Grad oder weniger beträgt verlängert dies die Aufladezeit.



**WARNUNG!** Bitte keine defekten Akkus benutzen da ansonsten die Maschine nicht ordnungsgemäß funktioniert.



### Entsorgung des Akkus

Batterien enthalten Stoffe, die bei unsachgemäßem Umgang der menschlichen Gesundheit und der Umwelt schaden. Die Batterien sind mit einem durchgestrichenen Abfallbehälter gekennzeichnet. Er verdeutlicht, dass Altbatterien nicht über den unsortierten Abfall entsorgt werden dürfen, sondern getrennt gesammelt werden müssen.

Achten Sie darauf, Ihre Altbatterien bei den eingerichteten Sammelstellen abzugeben. Auf diese Weise tragen Sie dazu bei, dass die Batterien gesetzeskonform wiederverwertet werden und die Umwelt nicht unnötig belasten. Ihre örtlichen Entsorgungsstellen können Sie über die ordnungsgemäße Entsorgung und Wiederverwertung von Batterien beraten.

## Sicherheitshinweise



**WARNUNG!** Um Personenschäden zu vermeiden, lesen Sie bitte vor Gebrauch die Sicherheitshinweise sorgfältig durch. Sie enthalten wichtige Hinweise zum sachgerechten und sicheren Umgang mit dem Gerät.

### Vorsichtsmaßnahmen bei Anwendung der Bindemaschine.

Sollte das Gerät für andere Zwecke oder in einer anderen Art und Weise benutzt werden als in der Bedienungsanleitung beschrieben, kann dies zu schweren Unfällen führen. Sorgen Sie deshalb immer dafür den vorgeschriebenen Anweisungen zu befolgen. Personen die nichts mit der Arbeit zu tun haben, vor allem Kinder, sollten vom Arbeitsbereich ferngehalten werden.

### Verwenden Sie eine Schutzmaske oder eine Schutzbrille.

Arbeitgeber und Verbraucher müssen sich absichern, dass der Anwender beim gebrauch des Gerätes eine Schutzbrille trägt, die den geltenden Anforderungen und Normen entspricht, sowie von vorne als auch seitlich.

**HINWEIS:** Brillen ohne seitlichen Schutz oder mit einseitigem Schutzschirm bieten keinen ausreichenden Schutz.

### Gehörschützer können erforderlich sein.

Auf vielen Baustellen ist das Tragen von Gehörschützern erforderlich, um bleibende Gehörschäden zu vermeiden. Arbeitgeber und Arbeitnehmer müssen sicherstellen, dass geeignete Gehörschützer auf der Baustelle bereitstehen und verwendet werden.

### Keine Kinder in der Nähe der Bindemaschine!

Zuschauer und insbesondere Kinder dürfen der Bindemaschine während des Gebrauchs nicht zu Nahe kommen.

### Benutzen Sie die Bindemaschine nicht in der Nähe von leicht brennbaren Stoffen.

Die Bindemaschine darf nie in der Nähe von leicht brennbaren Flüssigkeiten, Dämpfen, usw. (Verdünnern, Benzin) usw. benutzt werden. Die Dämpfe von solchen Flüssigkeiten können beim Eindringen in die Maschine durch Funken entzündet werden und explodieren.

### Die Bindemaschine darf nicht bei Nässe benutzt werden.

Sollten Sie die Bindemaschine bei Regen, undichten Konstruktionen oder in einem feuchtem Raum benutzen, erhöht sich das Risiko von elektrischen Stößen. Hinterlassen Sie nie die Bindemaschine in Feuchtigkeit ausgesetzten Räumen.

### Prüfen Sie die Teile des Betonstahlbefestigers, bevor Sie die Batterie einschieben.

Überprüfen Sie die Schrauben daraufhin, dass sie fest angezogen sind. Unvollständig angezogene Schrauben können zu Unfällen oder Beschädigungen führen. Vergewissern Sie sich, dass alle Teile intakt sind. Teile verschleifen mit der Zeit. Prüfen Sie auch, dass keine Teile beschädigt, defekt oder abgenutzt sind. Wenn ein Teil ersetzt oder repariert werden muss, erwerben Sie das Ersatzteil von einem autorisierten Vertragshändler für TJEP. Verwenden Sie nur Original-ersatzteile.

### Stellen Sie den Hauptschalter auf AUS und sperren Sie den Abzug beim Batteriewechsel oder beim Wechseln/Einstellen der Drahtspule. Entfernen Sie die Batterie, wenn ein Fehler auftritt und die Maschine nicht benutzt werden kann.

Sollten Sie die Bindemaschine unabsichtlich eingeschaltet lassen, kann dies zu Ausfall oder anderen Schäden führen.

### Halten Sie sich während der Verwendung des Betonstahlbefestigers von der Nase, den Zuführrädern und der Drahtspule fern.

Halten Sie die Finger von der Nase und anderen beweglichen Teile FERN, da der Draht und bewegliche Teile leicht Verletzungen verursachen können.

### Halten Sie sich während der Verwendung des Betonstahlbefestigers von der Maschinenöffnung fern.

Berühren Sie den Draht und die Rollenführung nicht, solange die Maschine befestigt. Sie könnten sich in der Drahtschlinge verfangen und schwere Verletzungen erleiden.

### Die Bindemaschine nicht auf andere Personen richten.

Personenschäden können verursacht werden, sollte die Bindemaschine den Anwender oder Personen in der Nähe erfassen. Seien Sie beim Befestigen vorsichtig und halten Sie sich von den beweglichen Teilen fern..

### Vermeiden Sie, den Finger unnötig am Abzug zu halten.

Beim Transport oder wenn Sie nicht binden, immer den Hauptschalter auf AUS stellen und den Abzug sperren. **17**

Andernfalls kann es zum ungewolltem Binden kommen, die zu schweren Verletzungen führen können.

### **Die Bindemaschine bei Funktionsstörungen nicht benutzen.**

Wenn der Betonstahlfestiger nicht richtig funktioniert, stellen Sie den Hauptschalter auf AUS, sperren Sie den Abzug und entfernen Sie die Batterie, bevor Sie mit der Fehlersuche beginnen. Bei Bedarf wenden Sie sich bitte an Ihren Vertragshändler zwecks Fehlersuche und evtl. Reparatur.

### **Prüfen Sie beim Einschieben der Batterie die folgenden Punkte. Bitte in folgenden Fällen keine Drahtrolle einführen:**

- Sie hören ein Geräusch vom Bindeteil des Gerätes, obwohl dies nicht benutzt wird.
- Wenn die Maschine Wärme, Gerüche oder Geräusche abgibt, obwohl sie nicht benutzt wird.

Wenn einer der oben genannten Punkte eintritt und Sie den Betonstahlfestiger ohne Behebung des Fehlers weiterverwenden, kann die Maschine beschädigt werden. Wenden Sie sich an Ihren Händler, wenn der Fehler nicht behoben werden kann.

### **Die Bindemaschine darf nicht verändert werden.**

Durch das Verändern der Bindemaschine wird nicht nur die Funktion beeinträchtigt, sondern auch das Sicherheitsniveau. Die Bindemaschine darf baulich nicht verändert werden.

### **Die Bindemaschine immer in einem guten Betriebszustand halten.**

Um den sichersten und besten Betriebszustand zu gewährleisten, sollten Sie verschlissene und beschädigte Teile rechtzeitig auswechseln lassen. Der Handgriff der Bindemaschine muss trocken, sauber und insbesondere frei von Öl und Fett gehalten werden.

### **Nur den zugelassenen Akku verwenden.**

Nur die dafür vorgesehenen mitgelieferten 18V 4,0Ah Li-ion Akkus verwenden. Wenn die Bindemaschine an eine andere Spannungsversorgung als den zugelassenen Akku angeschlossen wird, wie eine aufladbare Batterie, eine Trockenzelle oder eine Speicherbatterie für Kfz-Nutzung, kann das Werkzeug beschädigt werden, ausfallen, sich überhitzen oder Feuer fangen.

### **Den Akku vor der Verwendung voll aufladen.**

Ein neuer oder lange nicht verwendeter Akku kann sich entladen haben und muss dann zur vollen Ladung aufgeladen werden. Bevor sie das Werkzeug verwenden, laden Sie den Akku mit dem vorgesehenen TJEP-Ladegerät auf.

### **Sicherheitshinweise für das Laden der Batterie, Ladegeräte und Batterien**

#### **Nur das zugelassene Ladegerät verwenden.**

Nur das beim Kauf mitgelieferte Ladegerät zusammen mit dem Akku verwenden. Der Akku kann nicht mit anderen Ladegeräten aufgeladen werden – dies kann zu Schäden, Überhitzung oder Brand führen.

#### **Den Akku immer nur mit der angegebenen Netzspannung laden.**

Bitte dafür Sorge tragen, dass das Ladegerät nur an eine 100-240V Wechselstrom Steckdose angeschlossen wird. Schließen Sie das Ladegerät nur an Stromquellen mit einer Spannung von 100–240 V Wechselstrom an. Wenn der Aufladevorgang mit einer anderen Netzspannung als 100-240V Wechselstrom durchgeführt wird, kann dies zu Überhitzung, Funktionsstörungen oder zur Entflammung des Akkus oder des Ladegerätes führen.

#### **Benutzen Sie niemals einen Transformator.**

#### **Den Akku niemals bei Regen, an einem feuchten Platz oder im Spritzwasserbereich aufladen.**

Das Laden einer nassen oder feuchten Batterie oder die Verwendung eines feuchten Ladegeräts kann einen elektrischen Schlag oder Kurzschluss auslösen.

#### **Das Netzkabel und den Stecker nicht mit nassen Händen oder Handschuhen berühren.**

Dies kann zu Verletzungen durch elektrische Schläge führen.

#### **Decken Sie das Ladegerät während der Verwendung nicht ab und legen Sie nichts darüber.**

Das Ladegerät kann überhitzen bzw. der Akku kann durchbrennen und beschädigt werden.

#### **Das Ladegerät und den Akku von Wärme und offenem Feuer fern halten.**

#### **Den Akku nicht in der Nähe von brennbaren Materialien aufladen.**

#### **Den Akku an einem gut belüfteten Platz aufladen.**

Vermeiden Sie das Aufladen bei direkter Sonneneinstrahlung.

#### **Den Akku in einem Temperaturbereich von +5°C - +40°C verwenden und aufladen.**

#### **Niemals das Ladegerät ununterbrochen benutzen.**

#### **Die Kontakte immer sauber halten.**

Die Verschmutzung der Kontakte kann zu Kurzschlüssen oder Fehlverhalten des Gerätes führen. Bitte das Gerät in staub- und fremdkörperfreien Lokalitäten verwenden.

#### **Vorsichtig mit dem Kabel umgehen.**

Niemals das Ladegerät am Kabel transportieren. Den Stecker niemals am Kabel aus der Steckdose ziehen. Ansonsten kann das Kabel beschädigt werden, welches zu Kurzschlüssen führen kann. Ein beschädigtes Kabel immer sofort reparieren oder austauschen.

**Stecken Sie den Batteriedeckel bei Nichtgebrauch auf die Batteriepole.**

Wenn der Akku nicht in Gebrauch ist, sollten die Batteriepole immer mit der Batteriedeckel geschützt werden.

**Achten Sie darauf, dass sich die Batteriepole nicht berühren.** Ein Kurzschluss zwischen den Polen führt zur Überhitzung und Beschädigung der Batterie.

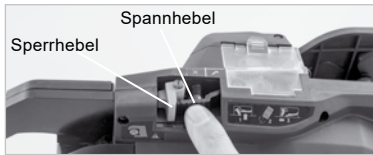
**Anwendung**

**Montage der Drahtrolle.**

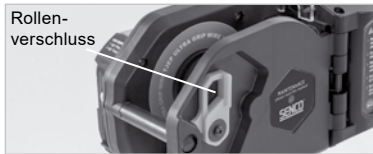


**WARNUNG!** Den Hauptschalter auf AUS stellen, den Abzughebel sperren und erst dann den Akku entnehmen.

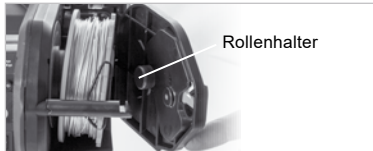
1. Den Spannhebel eindrücken, bis der Sperrhebel einrastet.



2. Auf den Rollenverschluss drücken um den Rollenhalter zu lösen.



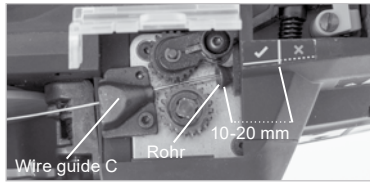
3. Setzen Sie die Drahtspule mit dem Drahtende nach oben und vorne ein. Schließen Sie den Rollenhalter vorsichtig und sichern Sie den Rollenstopper.



4. Gummiband entfernen und Draht freigeben.



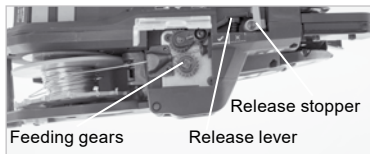
5. Führen Sie das Ende des Drahtes in die Drahtführung C, durch den Spalt der Zuführräder und bis zum Anschlag in das Rohr. (10–20 mm).



**Wenn das Fenster verschmutzt ist und es schwierig ist, die Position der Drahtführung C zu bestimmen, reinigen Sie die Innenseite des Fensters mit einem weichen Tuch.**

Schließen Sie das Fenster wieder, um das Eindringen von Fremdkörpern in die Maschine zu verhindern.

6. Den Sperrhebel entspannen und dafür sorgen, dass der Spannhebel in der Ausgangsposition ist und dass die Vorschubräder den Draht richtig greifen.



7. Bitte dafür sorgen, dass der Bindedraht straff sitzt. Bitte dafür Sorge tragen, dass sich der Bindedraht nicht hinter der Drahtrolle fest setzt. Dies kann zur Blockierung der Drahtrolle führen.

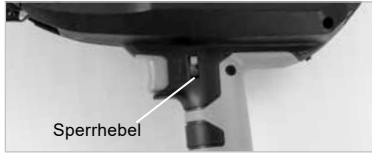
**WARNUNG!** Wenn der Hauptschalter auf EIN steht, müssen Sie die Finger von der Maschinenöffnung und anderen beweglichen Maschinenteilen fernhalten! Bitte niemals den EIN/AUS-schalter der Maschine zu schnell hintereinander betätigen, da dies zum Ausfall der Maschine führen kann. Bitte niemals den Bindedraht beim Betrieb der Maschine berühren.



8. Schieben Sie die Batterie ein und stellen Sie den Hauptschalter auf EIN.



9. Montage des Akkus am Fuß der Maschine. Maschine einschalten.



10. Einstellung der Bindungen.

Als Ausgangspunkt arbeitet die Maschine mit 3 Bindungen. Zur Einstellung von 2 Bindungen folgendes ausführen: Schalten Sie die Maschine mittels des EIN/AUS-schalters aus. Den Abzug drücken und gedrückt halten und danach die Maschine wieder einschalten. Jetzt läuft die Maschine mit 2 Bindungen. Wird die Maschine ausgeschaltet, läuft sie automatisch wieder mit 3 Bindungen.



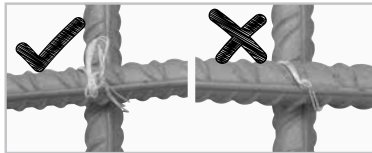
11. Mit der Momenteinstellung wird die Straffheit der Wicklungen eingestellt. 1. Ziffer zeigt die Anzahl der Wicklungen (3 = Standard) und 2. Ziffer zeigt die eingestellte Straffheit – diese kann mit Hilfe von ☺ und ☹ eingestellt werden.

Wir empfehlen:

- 2 Bindungen = Einstellung 1-5
- 3 Bindungen = Einstellung 6-9

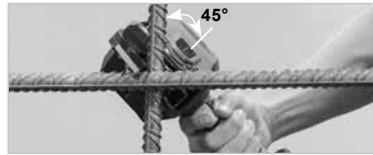


12. Nach der Einstellung zur Kontrolle eine Probebindung vornehmen.



**Für korrekte Vorspannung**

1. Den Schnabel im Winkel von 45 Grad zu den kreuzenden Baustählen halten und die Maschine gegen die Kreuzstelle ziehen.

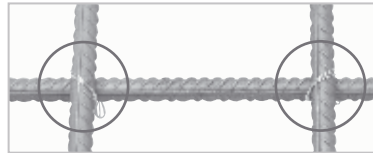


2. Halten Sie den Schnabel A senkrecht über das Betonstahlkreuz und die Öffnung mittig über das Kreuz.



**⚠️ WARNUNG!** Soweit möglich die Maschine nicht beim Bindevorgang bewegen.

3. Die Bindungen sollten in verschiedene Richtungen vorgenommen werden.



4. Kreuzbindung.

Die Schlaufe der ersten Bindung sollte vor dem Binden der zweiten Bindung zur Seite gebogen werden.

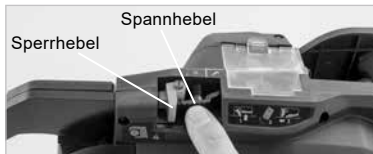


**So wird die Drahtrolle getauscht.**

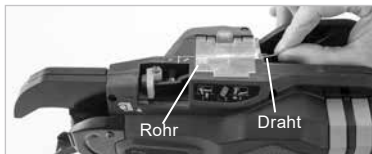
**⚠️ WARNUNG!** Die Maschine ausschalten, den Abzug verriegeln und den Akku entnehmen.



1. Den Spannhebel mit dem Sperrhebel verriegeln.



2. Das Drahtende aus dem Trichter entfernen.



3. Auf den Rollenverschluss drücken um den Halter zu entspannen, wonach die Drahtrolle entfernt werden kann.



4. Eine neue Drahtrolle einsetzen (Siehe Anweisung zur Montage der Drahtrolle, Seite 19)..

5. Batteriesparmodus.

Wird die Maschine nicht benutzt, schaltet sie sich automatisch nach 10 Min. ab.

## Wartung und Pflege

1. Maschine in regelmäßigen Abständen reinigen und nachsehen.

2. Bitte laufend die Vorschubeinrichtung reinigen. Um eine optimale Funktion der Maschine zu gewährleisten, sollte der Bereich um die Vorschubräder und das Schnabelteil regelmässig gereinigt werden. Staub und Metallabrieb können z.B. mit Druckluft entfernt werden.



3. Reinigen Sie das Bremszahnrad mit Druckluft und tragen Sie säurefreies Öl auf.



## Aufbewahrung

Die Maschine sollte nicht zu kühl aufbewahrt werden. Bitte die Maschine bei Raumtemperatur aufbewahren. Vor dem Gebrauch die Maschine auf Raumtemperatur bringen. Darüber hinaus darf die Maschine nicht zugänglich für Kinder sein.

## Fehlersuch / Reparaturen

Die Maschine wird natürlich irgendwann bei Gebrauch repariert werden müssen, wobei dann durch normalen Gebrauch verschlissene Komponente ausgetauscht werden müssen.

Fehlersuche/Reparaturen dürfen nur durch autorisierte Werkstätten oder Spezialisten durchgeführt werden. Die Maschine gibt als Fehlermeldung einen bestimmten Piepton ab. Bitte der Übersicht auf Seite 22 folg.

**WARNING!** Sollte die Maschine eine Fehlermeldung geben sollte diese immer vorher ausschaltet werden, bevor man den Fehler mit Hilfe der Übersicht beheben will.



Bitte niemals die Röhleinrichtung oder beweglichen Teile der Maschine berühren, wenn die Maschine eingeschaltet ist. Sollte sich der Fehler nicht mit Hilfe der Übersicht beheben lassen, bitte diese ausschalten und Ihren nächsten autorisierten Händler kontaktieren.

Normale Funktion	Fehler	Alarmton	Fehlerstellung	Fehlersuche	Mögliche Lösungen
Maschine einschalten--Schneideeinrichtung und Dreheinrichtung gehen in Grundstellung	Keine Reaktion	Keiner	Akku ist leer.	Ladezustand des Akkus kontrollieren.	Akku aufladen.
		Bip, bip, bip,...	Batteriepole oxidiert.	Akku entfernen und die Batteriepole kontrollieren.	Batteriepole reinigen.
Die Maschine geht nicht in die Grundstellung	Die Maschine geht nicht in die Grundstellung	7 bip. Bip-bip-bip-bip-bip-bip-bip... Bip-bip-bip-bip-bip-bip-bip...	Untere Schnabel ist offen.	Unteren Schnabel einige Male öffnen und schließen.	Unteren Schnabel ganz schließen.
			Es sitzt Bindedraht um die Dreheinrichtung.	Bindedraht um die Dreheinrichtung entfernen.	Maschine auf off stellen und den Drahtrest entfernen.
			Akku ist leer.	Ladezustand des Akkus kontrollieren.	Akku aufladen.
Abzug aktivieren---Draht wird vorgeschoben.	Der Draht wird nicht vorgeschoben.	1 bip	Es sitzt ein Fremdkörper zwischen Magnetaufnahme (Pos 326) und Printplatte (Pos 325), oder die Steckverbindung "p" und/oder "M" ist lose.	Untersuchen Sie, ob sich ein Fremdkörper zwischen Magnetaufnahme (Pos 326) und Printplatte (Pos 325) befindet oder die Steckverbindung "p" und/oder "M" eine schlechte Verbindung hat	Fremdkörper zwischen der Magnetaufnahme (Pos 326) und der Printplatte (Pos 325) entfernen oder die Steckverbindung "p" und/oder "M" wieder befestigen.
			Schlechte Verbindung bei Steckverbindung "A" und/oder "U", oder der Drehmotor ist defekt.	Untersuchen Sie, ob die Steckverbindungen "A" und/oder "U" fest sitzen oder ob der Drehmotor defekt ist.	Steckverbindungen "A" und/oder "U" erneut befestigen oder den defekten Drehmotor austauschen.
			Untere Schnabel ist offen.	Den unteren Schnabel mehrmals öffnen und schließen.	Den unteren Schnabel schließen
		3 bip Bip-bip-bip, Bip-bip-bip...	Die Drahtrolle ist leer.	Kontrollieren Sie ob die Drahtrolle leer ist.	Neue Drahtrolle einsetzen.
			Bindedraht hat sich auf der Rolle verheddert	Kontrollieren Sie ob die Bremseneinrichtung funktioniert.	Verwickelten Draht entfernen und eventuell den Bremshebel austauschen
			Ein Fremdkörper oder eine Drahtschlinge blockiert die Drahtführung oder die Öffnung.	Prüfen Sie, ob Fremdkörper oder Drahtschlingen vorhanden sind.	Entfernen Sie die Fremdkörper beispielsweise mit Druckluft. Schneiden Sie die Schlinge ab und führen Sie den Draht wieder ein.
			Drahtführungsmotor fehlerhaft angeschlossen oder defekt	Prüfen Sie die Anschlüsse und den Drahtführungsmotor.	Reinigen Sie die Anschlüsse. Ersetzen Sie nötigenfalls den Drahtführungsmotor.
	Es hat sich ein Stück Draht in der Schneideeinrichtung oder der Drahtführung festgesetzt.			Kontrollieren Sie, ob sich Drahtreste im oberen Schnabel befinden.	Die Schneideeinrichtung demontieren und den Drahtrest entfernen.

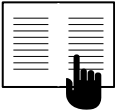
Normale Funktion	Fehler	Alarmton	Fehlerherstellung	Fehlersuche	Mögliche Lösungen
Schlaufe wird im Schnabel ausgefahren	Die Schlaufe ist nicht korrekt ausgeformt und der Draht schaut aus dem unteren Schnabel heraus.	Keiner	Der Draht hat beim Herausfahren das Werkstück getroffen	Kontrollieren, ob der Draht beim Herausfahren das Werkstück berührt oder trifft.	Dafür Sorgen, dass der Draht beim Herausfahren das Werkstück nicht berührt oder trifft.
Draht wird abgeschnitten	Draht wird nicht geschnitten	Keiner	Das Schneidwerk ist mit Fremdkörpern blockiert oder das Schneidmesser ist abgenutzt.	Prüfen Sie, ob alle Teile des Schneidwerks funktionieren.	Reinigen Sie das Schneidwerk mit Druckluft und ersetzen Sie nötigenfalls abgenutzte Teile.
Draht wird verknotet	Draht wird verwickelt	Keiner	Der Draht hat beim Herausfahren das Werkstück getroffen	Kontrollieren, ob der Draht beim Herausfahren das Werkstück berührt oder trifft.	Dafür Sorgen, dass der Draht beim Herausfahren das Werkstück nicht berührt oder trifft.
		7 bip Bip-bip-bip-bip-bip-bip-bip... Bip-bip-bip-bip-bip-bip-bip...	Es sitzt ein Fremdkörper zwischen Magnetplatte (Pos 326) und Printplatte (Pos 325), oder die Steckverbindung "P" und/oder "M" ist lose.	Untersuchen Sie, ob sich ein Fremdkörper zwischen Magnetplatte (Pos 326) und Printplatte (Pos 325) befindet oder die Steckverbindung "P" und/oder "M" eine schlechte Verbindung hat	Fremdkörper zwischen der Magnetplatte (Pos 326) und der Printplatte (Pos. 325) entfernen oder die Steckverbindung "P" und/oder "M" wieder befestigen.
		4 bip Bip-bip-bip-bip, Bip-bip-bip-bip...	Der Draht ist an der Wickelvorrichtung verklemt.	Prüfen Sie, ob der Draht in der Wickelvorrichtung verklemt ist.	Entfernen Sie den störenden Draht.
		Keiner	Schlechte Verbindung bei Steckverbindung "A" und/oder "U", oder der Drehmotor ist defekt.	Untersuchen Sie, ob die Steckverbindungen "A" und/oder "U" fest sitzen oder ob der Drehmotor defekt ist.	Steckverbindungen "A" und/oder "U" erneut befestigen oder den defekten Drehmotor austauschen.
	Die Bindung ist zu lose	Keiner	Das Werkstück hat nicht den zugelassenen Durchmesser.	Kontrollieren, dass das Werkstück den zulässigen Durchmesser hat.	Nur Werkstücke mit dem zugelassenen Durchmesser verarbeiten.
	Der Knoten wird abgerissen	Keiner	Die Maschine wird falsch positioniert oder die Vorspannung ist falsch eingestellt	Dafür Sorge tragen, dass die Maschine laut Bedienungsanleitung korrekt positioniert wird.	Die Maschine in der korrekten Position halten und die Vorspannung korrekt einstellen.
	Kein Fehler	Bip-bip-bip-bip-bip-bip....	Das Werkstück hat nicht den zugelassenen Durchmesser.	Kontrollieren, dass das Werkstück den zulässigen Durchmesser hat.	Nur Werkstücke mit dem zugelassenen Durchmesser verarbeiten.
		6 bip Bip-bip-bip-bip-bip-bip, Bip-bip-bip-bip-bip-bip...	Die Maschine wird falsch positioniert oder der Vorspannung ist zu stramm eingestellt	Dafür Sorge tragen, dass die Maschine laut Bedienungsanleitung korrekt positioniert wird.	Die Maschine in der korrekten Position halten und die Vorspannung korrekt einstellen.
			Akku ist fast leer.	Kontrollieren, ob das Akku aufgeladen ist.	Akku aufladen.
			Benutzung der Maschine in einem zu warmen Arbeitsbereich.	Die Umgebungstemperatur im Arbeitsbereich kontrollieren.	Die Maschine bei Zimmertemperatur abkühlen lassen, bevor diese wieder einsatzbereit ist.

## Inhoudsopgave

Specificaties en technische informatie .....	24	De draadrol laden .....	29
Machinespecificatie .....	26	De draadrol vervangen .....	30
Draadspecificatie .....	26	Correct gebruik .....	30
Veiligheidsfuncties .....	26	Onderhoud .....	31
Batterij .....	26	Opslag .....	31
Veiligheidsinstructies .....	27	Problemen oplossen / reparaties .....	31
Voorzorgsmaatregelen .....	28	Problemen oplossen .....	32
Gebruiksaanwijzing .....	29	Conformiteitsverklaring .....	94
		Beperkte garantie .....	95

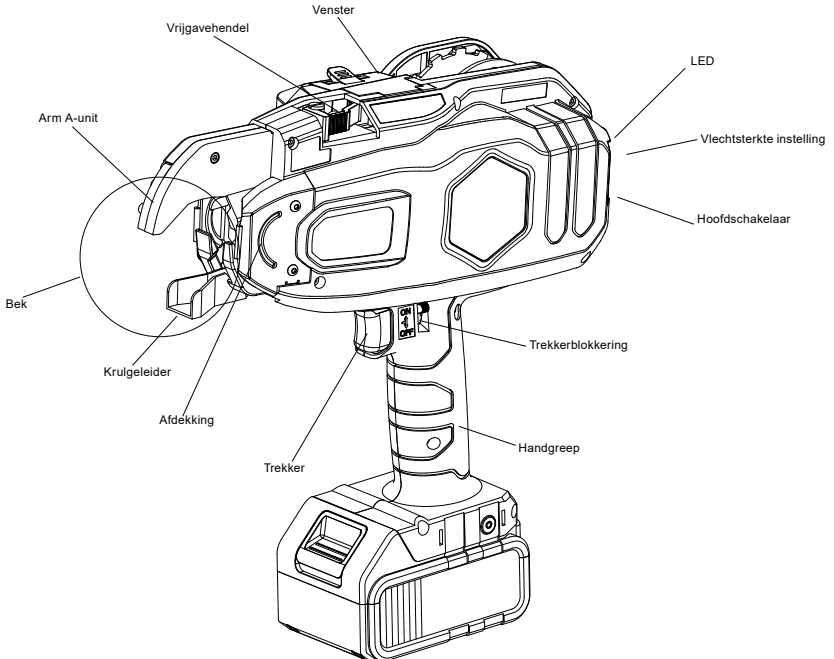
NL

## Specificaties en technische informatie



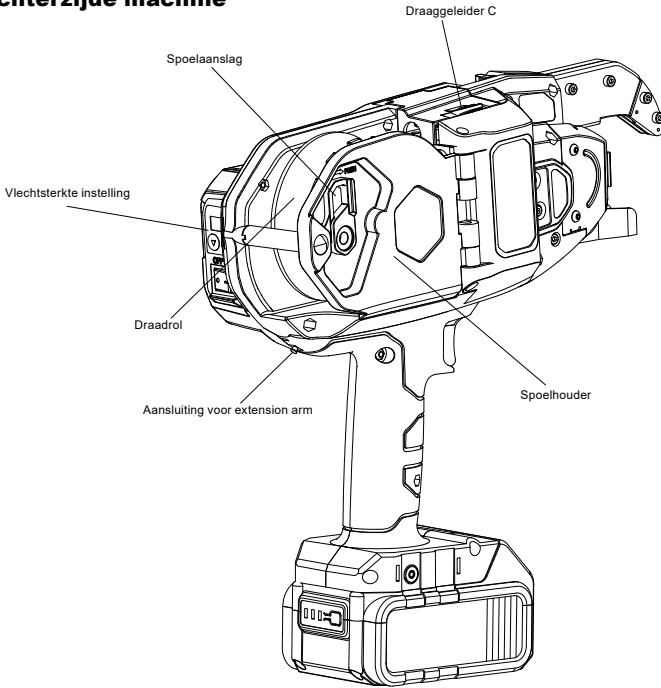
**Waarschuwing: Lees deze handleiding voordat u de machine gebruikt. De gebruikshandleiding moet bij de vlechtmachine worden gebruikt.**

### Voorzijde machine



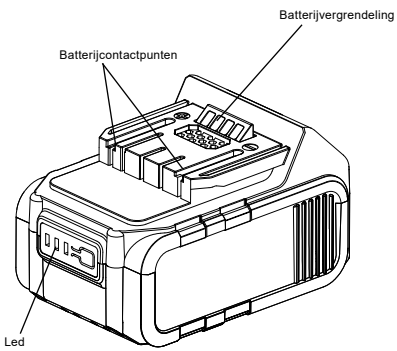
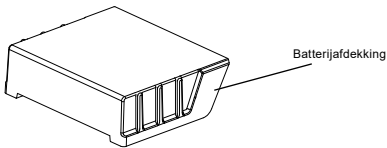


## Achterzijde machine

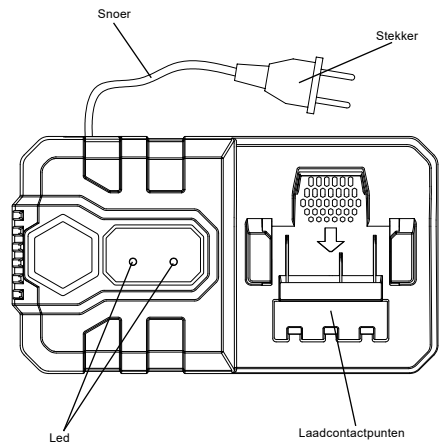


NL

## Batterij



## Oplader



## Machinespecificatie

Technische info.	SRT25	SRT40	SRT58
Article no.	9VS2003N	9VS2002N	9VS2004N
Gewicht	2,5 kg	2,6 kg	2.8 kg
Afmeting (l × b × h)	281 × 109 × 300 mm	297 × 109 × 300 mm	312 × 109 × 310 mm
Wikkelingen per binding	2 of 3	2 of 3	2 or 3
Werkstukdikte	8 - 25 mm	12 - 40 mm	30 - 58 mm
Bindingen per batterijlading	+5.000 (3 wikkelingen)	+4.500 (3 wikkelingen)	+4.000 (3 wikkelingen)
Batterij	18V 4,0Ah Li-ion		
Oplader	Gebruik uitsluitend de goedgekeurde batterijoplader (VB0153EU).		
Laadtijd	Volledig geladen = 90 min.		
Geluidsdrukniveau (Lpa) dB		68,1	
Geluidsvermogeniveau (Lwa) dB		79,1	
Trillingsniveau m/s <sup>2</sup>		1,5	

## Draadspecificatie

Model	Doos: 20 rollen (08A20) Doos: 40 rollen (08A40)		
Diameter	0,8 mm		
Lengte	ca. 100 m		
Materiaal	Gegalv.		
Bindingen per rol	SRT25	SRT40	SRT58
2 wikkelingen	ca. 220	ca. 160	ca. 120
3 wikkelingen	ca. 160	ca. 120	ca. 90

### Toepassingen

Het binden van wapeningsstaven gebruikt voor: prefab betonelementen, betonconstructies op locatie, vloeren en muren.

Binden van vloerverwarmingsbuizen.

### Veiligheidsfuncties

De vlechtmachine is uitgerust met veiligheidsfuncties om de veiligheid tijdens het binden te vergroten.



**WAARSCHUWING!** Controleer voordat u aan het werk gaat, of de machine werkt zoals bedoeld. Anders mag u de vlechtmachine niet gebruiken.

### Trekkerblokkering

De vlechtmachine is voorzien van een trekkerblokkering. Blokkeer de trekker en verwijder de batterij als de vlechtmachine niet in gebruik is.



Wanneer u begint met binden ontgrendelt u de trekkerblokkering door de vergrendeling naar links en naar boven te drukken.

### Krulgeleider

Als u aan de trekker trekt terwijl de krulgeleider open is, zal de vlechtmachine een waarschuwingsgeluid afgeven en weigeren te binden. Om met vlechten te beginnen, ontgrendelt u de trekker en controleert u of de krulgeleider gesloten is.



### Batterij

#### Levensduur van de batterij

Als de batterij volledig opgeladen is, maar de gebruikstijd aanzienlijk verminderd is, dan is de batterij defect en moet deze worden vervangen. Als de batterijtemperatuur laag (10°C of lager) is, zal de oplaadtijd langer worden.



**WAARSCHUWING!** Gebruik geen defecte batterijen. De vlechtmachine zal niet correct werken.

## Afvoer van de batterijen

Batterijen bevatten stoffen die schadelijk voor de gezondheid en het milieu zijn als zij niet correct worden afgevoerd. Batterijen zijn gemarkeerd met een vuilnisbak met een kruis erdoor. Dat betekent dat oude batterijen niet mogen afgevoerd met ongesorteerd afval, maar apart moeten worden ingezameld.

Het is belangrijk dat u oude batterijen inlevert bij de daarvoor bestemde inzamelpunten. Op die manier draagt u ertoe bij dat de batterijen volgens de wetgeving worden gerecycled en niet onnodig schade aan het milieu veroorzaken. Uw plaatselijke milieustraat weet hoe u dit type batterij correct kunt afvoeren voor recycling.

## Veiligheidsinstructies



**WAARSCHUWING!** Om ernstig letsel aan personen of schade aan eigendommen te voorkomen, adviseren wij u deze veiligheidsinstructies zorgvuldig te lezen en goed te begrijpen.

### Aandachtspunten bij gebruik van de vlechtmachine

Het gebruik van de vlechtmachine voor andere doelen of andere toepassingen dan beschreven in deze handleiding kan leiden tot ernstige ongelukken. U dient alle instructies in de handleiding op te volgen. Mensen die niets te maken hebben op de werklocatie, met name kinderen, moeten buiten de werklocatie worden gehouden en mogen geen toegang hebben tot deze apparatuur.

### Gebruik passende beschermingsmiddelen.

Werkgever en operator moeten er voor zorgen dat de operator de correcte oogbescherming draagt wanneer het gereedschap wordt gebruikt. Deze bescherming moet voldoen aan de actuele wetten en normen.

**NB:** Brillen zonder zijbescherming en met slechts één beschermingslaag bieden geen voldoende bescherming.

### Oorkappen kunnen nodig zijn.

Op veel werklocaties kan het nodig zijn oorkappen te dragen om permanente schade aan het gehoor te voorkomen. Werkgevers en werknemers moeten ervoor zorgen dat de juiste oorkappen aanwezig zijn en op de werklocatie worden gebruikt.

### Geen kinderen in de buurt van de vlechtmachine.

Laat geen toeschouwers, met name kinderen, toe als u aan het werk bent met de vlechtmachine.

### Gebruik de vlechtmachine niet in de buurt van ontvlambare stoffen.

Gebruik de vlechtmachine nooit in de buurt van ontvlambare stoffen of dampen. Deze dampen kunnen in de motor worden gezogen en een explosie veroorzaken.

### Gebruik de vlechtmachine niet in natte of vochtige omgevingen.

Gebruik van de vlechtmachine in de regen of omgevingen met veel damp of waar water direct op het apparaat kan vallen, verhoogt het risico op een elektrische schok. Laat de vlechtmachine niet achter in gebieden waar dit kan optreden.

### Controleer de onderdelen van de vlechtmachine voordat u de batterij erin schuift.

Controleer of alle schroeven goed zijn aangedraaid. Als schroeven niet goed zijn aangedraaid, kan dit leiden tot ongevallen of barsten. Controleer of alle onderdelen intact zijn. Er zijn onderdelen die aan slijtage onderhevig zijn. Controleer ook op beschadigde, defecte of versleten onderdelen. Als er onderdelen ontbreken of gerepareerd moeten worden, neem dan direct contact op met uw dealer. Gebruik alleen onderdelen die goedgekeurd zijn door de fabrikant.

### Stel de hoofdschakelaar in de OFF stand en vergrendel de trekker bij het vervangen van de batterij of het verwisselen of afstellen van de draadrol. Verwijder de batterij als er een fout optreedt en de machine niet kan worden gebruikt.

Als de machine aanblijft, kan dat schade veroorzaken.

### Blijf uit de buurt van het neusstuk, de toevoertandwielen en de draadrol tijdens het gebruik van de vlechtmachine.

Houd uw vingers NIET vlakbij het neusstuk of andere bewegende delen, omdat de draad en bewegende delen zo maar schade kunnen veroorzaken.

### Blijf uit de buurt van de bek tijdens het gebruik van de vlechtmachine.

Raak de draad of de bek niet aan wanneer de machine aan het binden is. U kunt bekneld raken in de draadlus en ernstig letsel oplopen.

### Richt de vlechtmachine tijdens gebruik niet op andere personen.

Zij kunnen, wanneer ze bekneld raken in de machine, ernstig gewond raken. Wees voorzichtig en blijf uit de buurt van bewegende delen als u aan het binden bent.

### Raak de trekker niet aan, tenzij dat moet.

Bij het dragen van de vlechtmachine en als u niet aan het binden bent, moet u de hoofdschakelaar op OFF zetten en de trekker vergrendelen. Als u dat niet doet, kunt u de vlechtmachine onbedoeld activeren en een gevaarlijke situatie veroorzaken.

### **Gebruik de vlechtmachine niet als deze een storing vertoont.**

Als de vlechtmachine niet correct werkt, zet dan de hoofdschakelaar in de OFF stand, vergrendel de trekker en verwijder de batterij voordat u de storing onderzoekt. Neem contact op met uw dealer en laat de vlechtmachine repareren als dat nodig is.

### **Controleer de volgende punten als u de batterij in de machine schuift. Laad geen draadrol in de vlechtmachine als:**

- De krulgeleider een geluid maakt, hoewel de vlechtmachine niet in gebruik is.
- De vlechtmachine warmer dan normaal is, vreemd ruikt of als de machine een geluid produceert wanneer deze niet in gebruik is.

Als een van bovenstaande punten optreden en u blijft de vlechtmachine gebruiken zonder de fout te herstellen, kan dit schade aan de machine veroorzaken. Als u de fout niet kunt herstellen, neem dan contact op met uw dealer.

### **Breng geen modificaties aan de vlechtmachine aan.**

Het modificeren van de vlechtmachine zal niet alleen de functie verminderen, maar ook het niveau van veiligheid. Breng geen modificaties aan de vlechtmachine aan.

### **Zorg ervoor dat de vlechtmachine in goede staat is.**

Voor behoud van de functionaliteit en een goede kwaliteit van het werk van de vlechtmachine, moet de machine goed worden onderhouden en regelmatig worden geïnspecteerd. Houd vooral de handgreep vrij van olie en vuil.

### **Gebruik uitsluitend goedgekeurde batterijen.**

Gebruik uitsluitend het goedgekeurde type batterij 18V 4.0Ah Li-ion voor deze vlechtmachine. Als u een andere voedingsbron gebruikt, bijvoorbeeld een ander type batterij, droge cel batterij of een autoaccu, kan de machine kapot gaan of in brand vliegen.

### **Laad de batterijen vóór gebruik op.**

Een nieuwe batterij of een batterij die langere tijd niet is gebruikt, kan ontladen zijn en moet vóór gebruik volledig worden opgeladen.

### **Voorzorgsmaatregelen voor het opladen van batterijen, opladers en batterijen**

#### **Gebruik uitsluitend een goedgekeurde oplader.**

Gebruik uitsluitend de goedgekeurde oplader die bij de vlechtmachine en de batterijen wordt geleverd. De batterijen kunnen niet met andere opladers worden opgeladen – als dat wel gebeurt, kan er schade, oververhitting of brand optreden.

### **Opladen van de batterijen met de correcte spanning.**

Zorg ervoor dat de oplader aangesloten wordt op een gewone 100-240V AC voedingsbron. Sluit de oplader niet aan op een voedingsbron met een andere spanning dan 100-240V AC. Als er een andere spanning dan 100-240V AC wordt gebruikt, kan dit leiden tot storingen en/of oververhitting, en dat veroorzaakt schade aan de batterij en de oplader.

### **Gebruik nooit een booster-transformator.**

#### **Laad de batterij nooit op in een natte of vochtige omgeving.**

Het opladen van een natte of vochtige batterij of het gebruik van een vochtige oplader kan een elektrische schok of kortsluiting veroorzaken.

#### **Raak de stekker of oplader nooit aan met een natte hand of handschoen.**

U riskeert letsel door een elektrische schok.

#### **Dek de oplader niet af en plaats er niets overheen tijdens gebruik.**

De oplader kan dan oververhit raken en uiteindelijk in brand vliegen.

#### **Zorg er ook voor dat de oplader en batterij niet naast een hittebron of open vuur worden geplaatst.**

#### **Plaats de batterij niet vlakbij brandbare voorwerpen.**

#### **Laad de batterij op in een goed geventileerde ruimte.**

Niet in direct zonlicht plaatsen.

#### **Laad de batterij op bij een temperatuur tussen +5° en +40° Celsius.**

#### **Laat de oplader rusten tussen het opladen.**

#### **Houd de contactpunten van de oplader schoon.**

Voorwerpen op de aansluitpunten kunnen elektrische schok of defecten veroorzaken. Gebruik de oplader in een stof- en vuilvrije omgeving.

#### **Ga voorzichtig met het snoer van de oplader om.**

Draag de oplader niet aan het snoer en trek het snoer bij de stekker uit het stopcontact. Anders kan het snoer beschadigd raken en storingen veroorzaken. Een beschadigd snoer moet worden vervangen of gerepareerd.

#### **Plaats het batterijafdekking op de batterijcontactpunten wanneer niet in gebruik.**

Dit moet kortsluiting in de batterij voorkomen.

**Zorg ervoor dat de batterijcontactpunten elkaar niet raken.** Kortsluiting tussen de contactpunten zal de batterijen oververhitten en beschadigen.

**5. Steek het draaduiteinde in de draadgeleider C, door de opening van de toevoertandwielen en helemaal in de buis. (10-20 mm)**

## Gebruiksaanwijzingen

### De draadrol laden



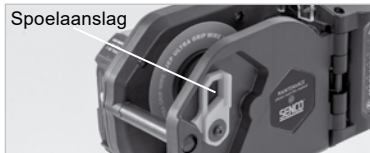
**WAARSCHUWING!** Zet de hoofdschakelaar op de OFF stand, vergrendel de trekker en verwijder de batterij.

1. Druk op de vrijgavehendel tot deze wordt gegrepen door de vrijgaveaanslag.



2.

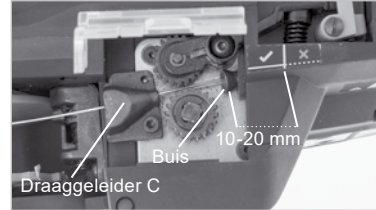
Druk op de spoelaanslag om de spoelhouder te openen.



3. Steek de draadrol met het draaduiteinde naar boven en naar voren. Sluit de spoelhouder voorzichtig en zet de spoelaanslag vast.



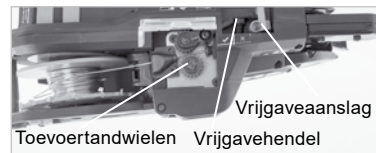
4. Maak de draad los en verwijder de rubberen band.



**Als het venster smerig is en de positie van de draadgeleider C moeilijk te bepalen is.**

Reinig de binnenkant van het venster met een zachte doek. Sluit het venster weer om binnendringen van vreemde voorwerpen in de machine te voorkomen.

6. Druk op de vrijgaveaanslag en zorg ervoor dat de vrijgavehendel terug in de oorspronkelijke positie komt en dat de toevoertandwielen de draad vastklemmen.



7. Zorg ervoor dat de draad stevig en strak is. Voorkom dat de draad opkrult achter de draadrol. Dit kan een verstopping veroorzaken.



**WAARSCHUWING!** Wanneer de hoofdschakelaar op ON staat, moet u nooit uw vingers vlakbij de bek of andere bewegende delen van de machine houden! Vermijd herhaaldelijk in- en uitschakelen. Hierdoor kan de machine kapot gaan. Raak de draad niet aan als de machine loopt.

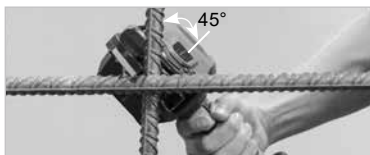


8. Schuif de batterij erin en zet de hoofdschakelaar op ON.



NL

9. Ontgrendel de trekkerblokkering voordat u met binden begint.

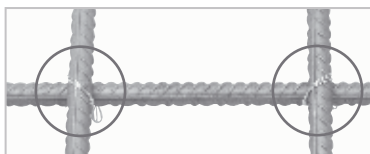


2. Plaats Arm A loodrecht op het vlak van de kruising van de wapeningsstaaf en met de bek gecentreerd over de kruising.



**WAARSCHUWING!** Beweeg de vlechtmachine niet tijdens het binden.

3. De bindingen moeten afgewisseld in bindinrichting worden gemaakt.





4. Kruiselings binden. Buig de knoop van de eerste binding omlaag, voordat u de tweede binding maakt.



10. Instellen van wikkelingen  
Standaard is de machine ingesteld op 3 wikkelingen. De machine op 2 wikkelingen instellen: Zet de machine bij de hoofdschakelaar uit. Druk de trekker in en houd deze ingedrukt terwijl u de hoofdschakelaar aanzet. De machine is nu ingesteld op 2 wikkelingen per binding. Als de machine wordt uitgeschakeld, wordt deze automatisch weer op 3 wikkelingen ingesteld.

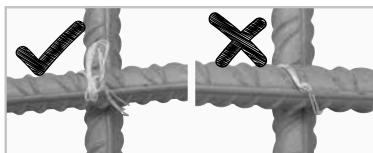


11. De vlechtsterkte instelling stelt de strakheid van de vlecht in. 1e nummer toont de vlecht instelling (3 is standaard) en het 2de nummer toont de strakheid van de vlecht. De strakheid kan aangepast worden doormiddel van de druk-knoppen  /  . Wij adviseren:

- 2 wikkelingen = stand 1 - 5
- 3 wikkelingen = stand 6 - 9



12. Voer een test vlecht uit om te zien of de vlechtsterkte goed is ingesteld.



### Correct gebruik

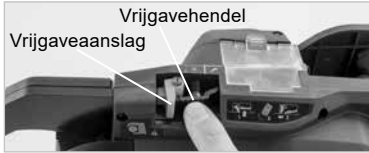
1. Plaats de Arm A-unit in een hoek van 45° over het vlak van de kruising van de wapeningsstaaf en druk de bek naar de wapeningsstaaf.

### De draadrol vervangen

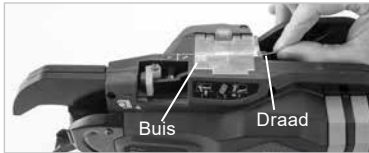
**WAARSCHUWING!** Zet de hoofdschakelaar op de OFF stand, vergrendel de trekker en verwijder de batterij.



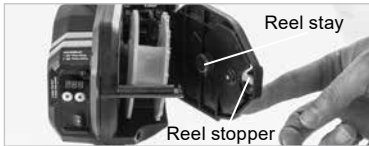
1. Druk op de vrijgavehendel tot deze wordt gegrepen door de vrijgaveaanslag.



2. Verwijder de draadrol.



3. Druk op de spoelaanslag om de spoelhouder te ontgrendelen en te openen, en verwijder de draadrol.



4. Laad een nieuwe draadrol (zie de instructies voor het laden van een draadrol op page 29).

5. Batterijbesparende functie.

De machine schakelt automatisch uit als deze 10 minuten lang niet wordt gebruikt.

## Onderhoud

1. Reinig en controleer de vlechtmachine regelmatig.

2. Reinig de toevoertandwielen en het gebied rondom regelmatig om te voorkomen dat er zich stof en metaalresten in de machine ophopen en problemen veroorzaken. Dit kunt u met een perslucht pistool doen.



3. Reinig de remtandwielen met perslucht en breng zuurvrije olie aan.



## Opslag

De vlechtmachine mag niet onder koude omstandigheden worden opgeslagen. De machine moet bij ca. 20°C worden bewaard. Wanneer de machine niet in gebruik is, moet deze onder warme en droge omstandigheden worden opgeslagen. Houd de machine buiten bereik van kinderen.

## Problemen oplossen / reparaties

De vlechtmachine zal op grond van normale slijtage onderhoud behoeven en vervanging van versleten onderdelen. Problemen oplossen en/of reparaties uitvoeren mag alleen worden uitgevoerd door erkende dealers of specialisten.

De vlechtmachine geeft piepjes af als waarschuwing voor storingen of defecten zijn. Lees de matrix op pagina 32 om uit te vinden wat de storing is.



**WAARSCHUWING!** Als een van de problemen vermeld op pagina 32 optreedt, zet dan de hoofdschakelaar op de OFF stand, voordat u probeert het probleem op te lossen.

Wanneer de hoofdschakelaar op ON staat: houd uw vingers nooit vlakbij krulgeleider of andere bewegende delen van de machine. Als het probleem aanhoudt, zet dan de hoofdschakelaar op de OFF stand en neem contact op met de dealer.

# Problemen oplossen

Normale werking	Probleem	Waarschuwingsgeluid	Oorzaak	Controleer	Oplossing
Stroom aan → De puntas wordt geïnitieerd en de draadsnijder functioneert automatisch.	Het apparaat doet niets.	Geen alarmplepjes.	Batterij geheel leeg.	Controleer of de batterij is opgeladen.	Laad de batterij op.
		Piep, piep, piep...	Elektrodeplaatje is geoxideerd.	Haal de batterij eruit en zie of de elektrode bruin is.	Poets de contactpunten van het batterijblok met een droge doek, enz.
Puntas initialiseert niet		Piep, piep, piep...	Kruggeleider is open.	Open/sluit kruggeleider.	Sluit kruggeleider volledig.
			Binddraad is in de vlechtsectie in de knoop geraakt.	Schakel het apparaat uit, verwijder de batterij en controleer of de binddraad in de knoop zit in de kruggeleider.	Schakel de stroom uit, verwijder binddraad in de kruggeleider.
		Piep-piep-piep-piep-piep-piep....	Batterij is leeg.	Controleer of de batterij is opgeladen.	Laad de batterij op.
		7 piepjes Piep-piep-piep-piep-piep-piep-piep-piep-piep-piep-piep-piep-piep-piep-piep-piep-piep....	Er zit een vreemd voorwerp tussen de magneetplaat (pos. 326) en route PWB unit (pos. 325). Of slechte aansluiting van aansluitdraad "p" en/of "m".	Controleer of er een vreemd voorwerp zit tussen de magneetplaat (pos. 326) en route PWB unit (pos. 325). Of slechte aansluiting van "p" en/of "m"-draad.	Verwijder het vreemde voorwerp tussen de magneetplaat (pos. 326) en Route PWB unit (pos. 325). Of vervang door een nieuwe aansluitdraad "p" en/of "m".
Trekker op ON → Draad wordt uitgevoerd.		1 piepje	Slechte aansluiting van aansluitdraad "A" en/of "U". Of vlechtmotor is verbrand.	Controleer de aansluiting van de "A" en/of "U"-draad.	Sluit draad "A" en/of "U" opnieuw aan of vervang ze. Of vervang de vlechtmotor.
		2 piepjes Piep-piep, piep-piep...	Kruggeleider is open.	Open/sluit kruggeleider.	Sluit kruggeleider volledig.
		3 piepjes Piep-piep-piep, piep-piep-piep-piep...	Er is geen binddraad meer.	Controleer of de binddraad op is.	Plaats nieuwe binddraad.
			Draad bekneld in de spoel.	Controleer of de draad in de spoel is losgeraakt en bekneld zit.	Verwijder ratelig draad op de spoel.
			Een vreemd voorwerp of een lus in de draad blokkeert de draadgeleider of bek.	Controleer op vreemde voorwerpen of lussen in de draad.	Verwijder vreemde voorwerpen met perslucht, enz. Snij de lus af en steek de draad opnieuw in.
		Slechte verbinding met de motor van de draadgeleider of de motor is defect.	Controleer de verbindingen en de motor van de draadgeleider.	Reinig de verbindingen. Vervang, indien nodig, de motor van de draadgeleider.	
		Draad zit bekneld in het snijgedeelte of draadgeleider A.	Controleer of er draad bekneld zit.	Haal het snijgedeelte uit elkaar en verwijder bekneld draad.	





## Contenu

Spécifications et informations techniques .....	34	Comment remplacer la bobine de fil .....	40
Spécifications de la machine .....	36	Utilisation correcte .....	40
Spécifications du fil .....	36	Maintenance .....	41
Dispositifs de sécurité .....	36	Stockage .....	41
Batterie .....	36	Dépannage / réparation .....	41
Consignes de sécurité .....	37	Dépannage .....	42
Précautions .....	38	Déclaration de conformité .....	94
Utilisation .....	39	Garantie limitée .....	95
Chargement de la bobine de fil .....	39		

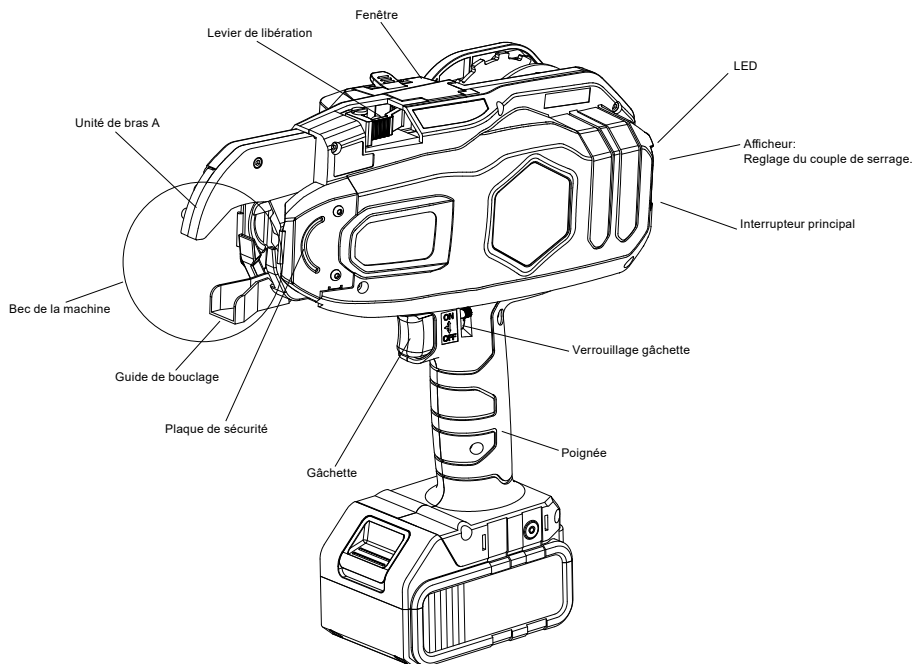
FR

## Spécifications et informations techniques

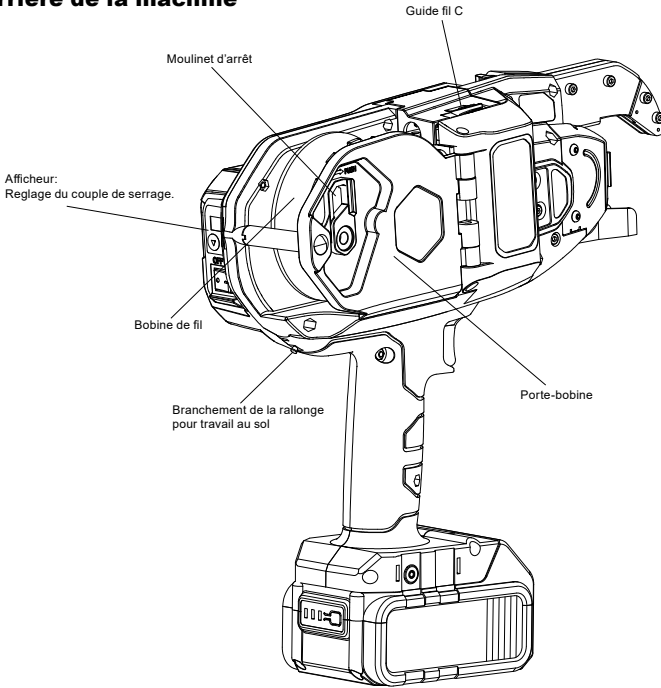


**ATTENTION: Lire ce mode d'emploi avant l'utilisation. Ce mode d'emploi doit être conservé avec l'appareil.**

### Avant de la machine

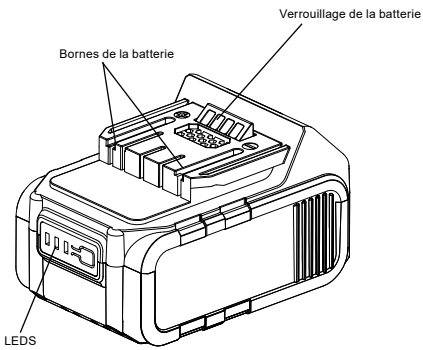
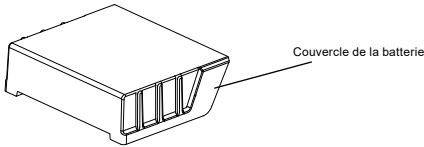


## Arrière de la machine

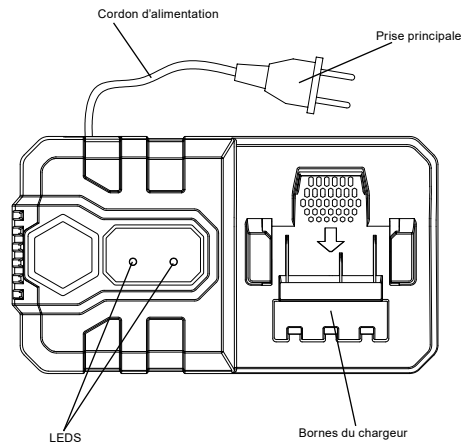


FR

## Batterie



## Chargeur



## Spécifications de la machine

Informații tehnice	SRT25	SRT40	SRT58
Article no.	9VS2003N	9VS2002N	9VS2004N
Poids	2,5 kg	2,6 kg	2.8 kg
Dimensions (L × l × H)	281 × 109 × 300 mm	297 × 109 × 300 mm	312 × 109 × 310 mm
Nombre de tours	2 ou 3	2 ou 3	2 or 3
Epaisseur de la pièce	8 - 25 mm	12 - 40 mm	30 - 58 mm
Attaches par charge	+5.000 (3 tours)	+4.500 (3 tours)	+4.000 (3 tours)
Batterie	18V 4,0Ah Li-ion		
Chargeur	N'utilisez que la batterie de chargeur approuvée (VB0153EU).		
Temps de rechargement	Charge complète = 90 min.		
Niveau de pression acoustique (LpA) dB		68,1	
Niveau de puissance acoustique (LwA) dB		79,1	
Niveau de vibrations m/s <sup>2</sup>		1,5	

## Spécifications du fil

Modèle	Boîte: 20 bobines (08A20) Boîte: 40 bobines (08A40)		
Diamètre	0,8 mm		
Longueur	Environ 100 m		
Matériel	Galv.		
Tours par bobine	SRT25	SRT40	SRT58
2 tours	Environ 220	Environ 160	Environ 120
3 tours	Environ 160	Environ 120	Environ 90

### Applications

Fixation d'armatures pour : les blocs de béton préfabriqués les constructions en béton sur site, le sol et les murs. Fixation de tuyaux de chauffage par le sol.

### Dispositifs de sécurité

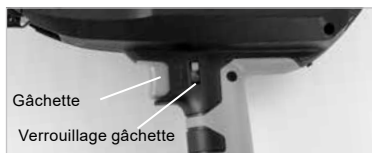
Afin d'augmenter la sécurité lors de la fixation, la machine à ligaturer est équipée des dispositifs de sécurité suivants.



**ATTENTION!** Assurez-vous que l'appareil marche correctement avant l'utilisation. Dans le cas contraire, n'utilisez pas la machine à ligaturer.

### Verrouillage gâchette

La machine à ligaturer est équipée d'un verrouillage de la gâchette. Verrouiller la gâchette et retirer la batterie lorsque la machine n'est pas utilisée.



Pour commencer la fixation, déverrouiller la gâchette en repoussant le verrouillage en haut vers la gauche.

### Guide de bouclage

Si vous appuyez sur la gâchette alors que la bobine est ouverte, la machine à ligaturer lancera un signal d'alarme et ne démarrera pas. Pour commencer la fixation, s'assurer que la bobine est fermée.



### Batterie

#### Durée de la batterie

Si la batterie est totalement rechargée, mais que sa durée d'utilisation est réduite de manière significative, cela signifie que la batterie est défectueuse et doit être remplacée. Si la température de la batterie est basse (10°C ou moins) le temps de rechargement sera alors prolongé.



**ATTENTION!** Ne pas utiliser de batterie défectueuse. Le Rebar ne marche, dans ce cas, pas correctement.

## Élimination des piles

Les piles contiennent des substances qui peuvent être nocives pour la santé et l'environnement si elles ne sont pas manipulées correctement. Les piles sont marquées par le symbole de la poubelle barrée. Il symbolise le fait que les piles usagées ne doivent pas être jetées avec les déchets non triés, mais doivent être collectées séparément.

Il est primordial de ramener les piles usagées aux points de collecte établis. Vous contribuez ainsi à ce que les piles soient recyclées conformément à la législation et ne nuisent pas inutilement à l'environnement. Les autorités locales compétentes peuvent vous renseigner sur la façon d'éliminer et de recycler correctement ce type de piles.

## Consignes de sécurité



**ATTENTION!** Afin d'éviter des blessures graves ou l'endommagement d'un bien, lisez ces instructions avec précaution et assurez-vous de les comprendre.

### Points importants lors de l'utilisation de la machine à ligaturer.

Utiliser la machine à ligaturer dans d'autres buts et utilisations que ceux décrits dans le manuel peut provoquer de sérieux accidents. Assurez-vous de suivre toutes les instructions du manuel. Les personnes extérieures au site de construction, plus particulièrement les enfants, ne doivent pas être présentes sur le site et ne doivent pas avoir accès à l'équipement.

### Utiliser un équipement de protection approprié.

L'employeur et l'opérateur doivent s'assurer que l'opérateur utilise des lunettes de protection lors de l'utilisation de l'outil. La protection doit être adaptée avec les lois et les normes en vigueur.

**NB** : Les lunettes sans protection latérale ou avec écran de protection unilatéral n'offrent pas une protection adéquate.

### Des casques antibruit peuvent être nécessaires.

Sur beaucoup de sites de travail, il peut être nécessaire d'utiliser des casques antibruit, afin d'éviter un dommage auditif permanent. Les employeurs et les employés doivent s'assurer que des casques antibruit adéquats sont disponibles sur le chantier.

### Aucun enfant près de la machine à ligaturer.

Ne pas autoriser les spectateurs, plus particulièrement les enfants, près de la machine à ligaturer, lorsqu'elle est en marche.

### Ne pas utiliser la machine à ligaturer près de substances inflammables.

Ne jamais utiliser la machine à ligaturer près de substances ou vapeurs inflammables. Les vapeurs pourraient être aspirées par la machine et créer une explosion.

### Ne pas utiliser la machine à ligaturer dans un environnement humide ou vapoureux.

Si la machine à ligaturer est utilisée directement sous la pluie, l'eau ou dans un environnement vapoureux, le risque d'un choc électrique est plus élevé. Ne pas laisser la machine à ligaturer à un endroit où elle pourrait y être exposée.

### Vérifier les composants de la machine à ligaturer avant d'insérer la batterie.

Vérifier que les vis soient correctement serrées. Un serrage incorrect des vis peut provoquer un accident ou une rupture. S'assurer que toutes les pièces sont intactes. Les pièces s'usent avec le temps. Vérifier également qu'aucune pièce n'est endommagée, défectueuse ou usée. Si des composants sont manquants ou doivent être réparés, contacter le fournisseur immédiatement. Uniquement les composants approuvés par le fabricant doivent être utilisés.

### Mettre l'interrupteur principal en position OFF et verrouiller la gâchette lors du changement de la batterie ou du changement/réglage de la bobine de fil. Retirer la batterie si une erreur se produit et que la machine ne peut pas être utilisée.

Des dommages peuvent être causés, si la machine reste allumée.

### Se maintenir à l'écart de l'unité de bras, des engrenages d'alimentation et de la bobine de fil lors de l'utilisation de la machine à ligaturer.

NE PAS laisser les doigts près de l'unité de bras ou d'autres pièces mobiles, car le fil et les pièces mobiles peuvent causer des dommages.

### Se maintenir à l'écart du bec de la machine lors de l'utilisation de la machine à ligaturer.

Se maintenir à l'écart de la bobine de fil et du guide de bouclage lors de l'utilisation de la machine à ligaturer. Dans le cas contraire, vous pourriez être attrapé par la boucle et être sérieusement blessé.

### Ne pas pointer la machine à ligaturer dans la direction de quelqu'un d'autre durant l'utilisation.

Si quelqu'un est attrapé par la machine durant l'utilisation, il pourrait être blessé. Lors de la fixation, rester prudemment à distance des pièces mobiles.

### Ne pas toucher à la gâchette sans en avoir besoin.

Lors du transport de la machine à ligaturer et lorsqu'elle n'est pas utilisée, ne pas oublier de placer l'interrupteur principal sur la position OFF et de verrouiller la gâchette. Dans le cas contraire, vous

risquez d'activer la machine à ligaturer involontairement et de provoquer une situation dangereuse.

### **Ne pas utiliser la machine à ligaturer dans le cas d'un dysfonctionnement.**

Si la machine à ligaturer ne marche pas correctement, placer l'interrupteur principal sur la position OFF, verrouiller la gâchette et retirer la batterie avant de vérifier la cause du dysfonctionnement. Si nécessaire, contacter le fournisseur afin qu'il répare la machine à ligaturer.

### **Lors de l'insertion de la batterie, vérifier les points suivants. Ne pas charger la bobine de la machine à ligaturer si:**

- Un bruit sort du guide de bouclage, même lorsque la machine à ligaturer n'est pas utilisée.
- La machine à ligaturer est plus chaude qu'habituellement, a une odeur inhabituelle, un bruit sort de la machine, même lorsqu'elle n'est pas utilisée.

Si l'un des points mentionnés ci-dessus se produit et que vous continuez à utiliser la machine à ligaturer sans corriger la faute, cela peut endommager la machine. S'il n'est pas possible de résoudre le problème, contacter le fournisseur.

### **Ne pas effectuer de modifications sur la machine à ligaturer.**

Modifier la machine à ligaturer ne réduit pas seulement sa fonction, mais aussi son niveau de sécurité. Ne pas effectuer de modifications sur la machine à ligaturer.

### **Conserver la machine à ligaturer dans de bonnes conditions.**

Afin de maintenir la fonctionnalité et la qualité de travail de la machine à ligaturer, maintenir la machine correctement et s'assurer de l'utiliser régulièrement. Ne pas oublier de préserver la poignée de l'huile et la poussière.

### **Utiliser des batteries approuvées uniquement.**

N'utiliser que le type de batterie approuvé 18V 4,0Ah Li-ion pour cette machine à ligaturer. Dans le cas où, une autre source d'énergie serait utilisée, comme par exemple un autre type de batterie, une pile sèche ou une batterie de voiture, la machine peut casser ou s'enflammer.

### **Charger les batteries avant utilisation.**

Une nouvelle batterie ou une batterie qui n'a pas été utilisée depuis longtemps peut être déchargée et doit être totalement rechargée avant l'utilisation.

### **Précautions concernant le chargement de la batterie, le chargeur et la batterie**

**Utiliser uniquement le chargeur approuvé.**

Utiliser uniquement le chargeur approuvé vendu avec la machine à ligaturer et les batteries. Les batteries ne peuvent pas être rechargées avec d'autres chargeurs - cela pourrait causer des dommages, une surchauffe ou un incendie.

### **Recharger la batterie avec la tension appropriée.**

S'assurer que le chargeur est connecté à une tension 100-240 V CA ordinaire. Ne pas brancher le chargeur à une source d'alimentation ayant une tension autre que 100-240 V CA. Utiliser une autre tension que 100-240 V CA va provoquer un mauvais fonctionnement et / ou une surchauffe, causant des dommages à la batterie et au chargeur.

### **Ne jamais utiliser un convertisseur Boost.**

### **Ne jamais recharger la batterie dans un environnement humide.**

Charger la batterie dans un environnement humide ou utiliser un chargeur humide pourrait causer un choc électrique ou un court-circuit.

### **Ne pas toucher la prise ou le chargeur avec une main ou un gant mouillés.**

Vous risquez un choc électrique..

### **Ne pas couvrir et ne rien placer sur le chargeur lors de son utilisation.**

Le chargeur pourrait surchauffer et éventuellement prendre feu.

### **S'assurer de ne pas placer le chargeur et la batterie à côté d'une source chauffante ou d'un feu ouvert.**

### **Ne pas placer la batterie près d'articles inflammables.**

**Charger la batterie dans un endroit bien ventilé.**  
Eviter de la placer directement au soleil.

### **Charger la batterie sous une température comprise entre +5° et +40° C.**

### **Laisser le chargeur au repos entre deux charges.**

### **Veiller à ce que les connecteurs du chargeur soient propres.**

Tout résidu sur les connecteurs pourrait causer un choc électrique ou un dysfonctionnement. Utiliser le chargeur dans un endroit propre et non-poussièreux.

### **Manipuler le cordon du chargeur avec précaution.**

Ne pas transporter le chargeur dans le cordon et ne pas débrancher en tirant sur le cordon. Le cordon risque d'être endommagé et de causer un dysfonctionnement. Un cordon endommagé doit être remplacé ou réparé.

## Placer le capuchon sur les bornes de la batterie lorsqu'elle n'est pas utilisée.

Cela évitera le risque de court-circuit de la batterie.

**S'assurer que les bornes de la batterie ne sont pas en contact.** Un court-circuit entre les bornes provoquera une surchauffe et un endommagement des batteries..

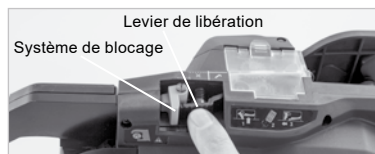
## Utilisation

### Chargement de la bobine de fil.

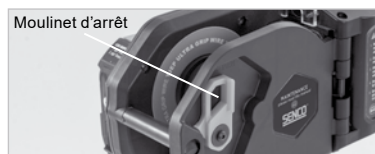


**ATTENTION!** Placer l'interrupteur principal sur la position OFF, activer le verrouillage de gâchette et retirer la batterie.

1. Pousser le levier de libération jusqu'à ce que le système de blocage le maintienne..



2. Pousser le moulinet d'arrêt afin d'ouvrir le porte-bobine.



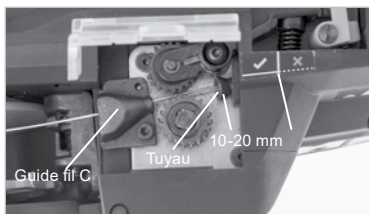
3. Insérer la bobine de fil, extrémité du fil vers le haut et vers l'avant. Fermer le porte-bobine et sécuriser le moulinet d'arrêt.



4. Libérer le fil et retirer le ruban adhésif..

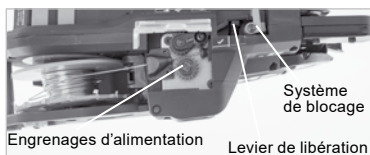


5. Insérer l'extrémité du fil dans le guide-fil C par la fente de l'engrenage d'alimentation et tout au long du tuyau. (10 - 20 mm)



Si la fenêtre est sale et qu'il est difficile de déterminer la position du guide-fil C, nettoyer l'intérieur de la fenêtre avec un chiffon doux. Fermer à nouveau la fenêtre pour éviter la pénétration de corps étrangers dans la machine.

6. Pousser le système de blocage. S'assurer que le levier de libération est à nouveau sur sa position originale et que les engrenages d'alimentation sont fixés au fil.



7. S'assurer que le fil soit tendu et ferme. Vérifier que le fil ne s'entortille pas derrière la bobine. Cela pourrait provoquer un bourrage.



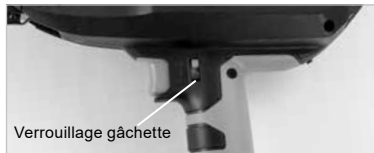
**ATTENTION!** Lorsque l'interrupteur principal est sur ON, ne pas placer les doigts près du bec de la machine ou des autres parties mobiles de la machine ! Eviter de changer constamment la position de l'interrupteur principal entre ON et OFF. Cela peut endommager la machine. Ne pas toucher au fil lorsque la machine est en marche.



8. Insérer la batterie dans la machine et placer l'interrupteur principal sur ON.



9. Libérer le verrouillage de la gâchette avant de commencer à ligaturer



10. Règlement des tours

La machine est réglée par défaut sur 3 tours. Pour changer les paramètres à 2 tours: éteindre l'interrupteur principal de la machine. Presser et maintenir la gâchette tout en allumant l'interrupteur principal. La machine est maintenant paramétrée à 2 tours. Si la machine est éteinte, elle se paramètre automatiquement à 3 tours.

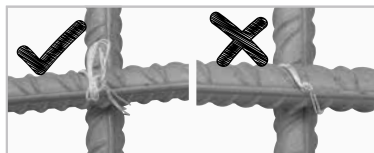


5. Ajustement du couple de serrage. Le chiffre à gauche de l'afficheur indique le nombre de tour autour de l'armature. (Voir paragraphe ci-dessus). Par défaut, l'appareil se met sur 3 tours. Le nombre de droite indique le réglage du couple de serrage. Plus le chiffre est élevé, plus le couple est élevé. Pour augmenter appuyer sur le bouton (⊕) pour diminuer appuyer sur le bouton (⊖). Nous recommandons:

- 2 tours = position 1-5
- 3 tours = position 6-9

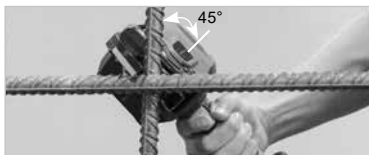


6. Effectuer un lien test, afin de vérifier que le couple de serrage est paramétré correctement.



### Utilisation correcte

1. Placer l'unité de bras en angle à 45° au niveau de l'intersection de la surface à ligaturer et passer le bec sur l'armature.

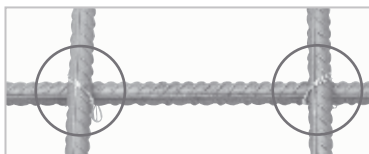


2. Placer l'unité de bras perpendiculairement au niveau de l'intersection de la surface à ligaturer et centrer le bec sur l'armature.



**ATTENTION!** Ne pas bouger la machine durant la ligature.

3. La ligature doit être effectuée dans différentes directions.



4. Nœud. Courber le nœud du premier tour avant de faire un second nœud.



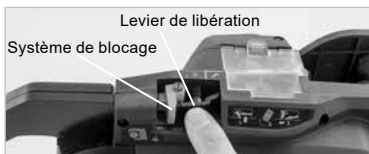
### Comment remplacer la bobine de fil.



**ATTENTION!** Placer l'interrupteur principal sur la position OFF, activer le verrouillage de la gâchette et retirer la batterie.

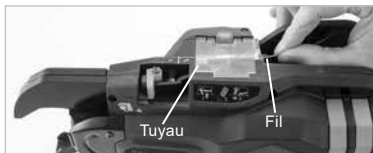


1. Poussez le levier de libération jusqu'à ce que le système de blocage le maintienne.





## 2. Retirer la bobine.



## 3. Pousser le moulinet d'arrêt tout en ouvrant le porte-bobine et retirer la bobine de fil.



## 4. Charger la nouvelle bobine (*Chargement de la bobine de fil page 39*).

## 5. Fonction économie de batterie.

La machine s'éteint automatiquement après 10 minutes de veille sans utilisation.

## Maintenance

### 1. Nettoyer et vérifier la machine à ligaturer régulièrement.

2. Nettoyer régulièrement l'engrenage d'alimentation et les surfaces avoisinantes afin d'éviter que la poussière et les résidus en métal n'entrent dans la machine et causent des problèmes. Cela peut être effectué avec un pistolet à air



### 3. Nettoyer les freins à l'air comprimé et appliquer de l'huile non acide.



## Stockage

La machine à ligaturer ne doit pas être stockée dans un environnement froid. Elle doit être stockée sous une température à environ 20°C. Lorsque la machine n'est pas utilisée, elle doit être stockée dans un environnement chaud et sec. Laisser la machine à portée éloignée des enfants.

## Dépannage / réparation

La machine à ligaturer peut éventuellement avoir besoin d'un service d'entretien et de remplacement des pièces usées en raison de l'usure normale. Le service de dépannage et/ou de réparation ne peut être mené que par les revendeurs autorisés ou par les spécialistes.

La machine à ligaturer signale les dysfonctionnements à l'aide de sons d'avertissement. Suivre le tableau page 42 afin de savoir ce qui ne va pas.



**ATTENTION!** Si un des problèmes présentés à la page 42 se présente, placer l'interrupteur principal sur la position OFF avant de résoudre le problème.

Lorsque l'interrupteur principal est en position ON - ne pas placer les doigts près du guide de bouclage ou autres parties mobiles de la machine. Si le problème se reproduit, contacter le revendeur.



Opération Habituelle	Problème	Son d'avertissement	Cause	Que vérifier	Solution
Le fil de liaison montre un cercle.	L'enroulement est désordonné et déborde du guide de boudage.	Aucun son émis.	Le fil a été abrogé en heurtant la barre d'armature.	Vérifier si le fil se heurte à la barre d'armature en ligaturant.	S'assurer que le fil ne se heurte pas à la barre d'armature.
Le fil doit être coupé.	Le fil n'est pas coupé.	Aucun son émis.	La section de coupe est bloquée par une substance étrangère ou le couteau est usé.	Vérifier que tous les composants de la section de coupe marchent correctement.	Nettoyer la section de coupe à l'air comprimé et remplacer les pièces usées si nécessaire.
Le fil se tord.	Le fil s'emmêle.	Aucun son émis. Sept bips. Bip, bip, bip, bip, bip, bip, bip, bip, bip, bip, bip, bip, bip...	Le fil a été abrogé en heurtant la barre d'armature. Il y a une substance étrangère entre la plaque magnétique (Pos. 326) et la carte de circuit imprimé (Pos. 325). Ou une mauvaise connexion du fil de connexion "P" et/ou "M".	Vérifier si le fil se heurte à la barre d'armature. Vérifier s'il y a une substance étrangère entre la plaque magnétique (Pos. 326) et la carte de circuit imprimé (Pos. 325). Ou une mauvaise connexion du fil de connexion "P" et/ou "M".	S'assurer que le fil ne se heurte pas à la barre d'armature. Retirer la substance étrangère entre la plaque magnétique (Pos. 326) et la carte de circuit imprimé (Pos. 325). Ou remplacer par un nouveau fil de connexion "P" et/ou "M".
		Quatre bips Bip-bip-bip-bip, Bip-bip-bip-bip...	Le fil est coincé autour de l'enrouleur. Mauvaise connexion des fils de connexion "A" et/ou "U". Ou le moteur d'enroulement a brûlé.	Contrôler si le fil est coincé dans l'enrouleur. Vérifier la connexion entre le fil "A" et/ou "U".	Retirer le fil en trop. Reconnecter ou remplacer les fils "A" et/ou "U". Ou remplacer avec un nouveau moteur d'enroulement.
	La force de ligature est faible.	Aucun son émis.	La barre d'armature n'est pas à la taille désignée.	Vérifier la taille de la barre d'armature à ligaturer.	Utiliser le diamètre approprié.
			L'outil n'a pas été correctement positionné, ou de réglage du couple n'est pas réglé correctement.	Vérifier comment tenir l'outil contre le plan de travail.	Régler le couple de serrage plus fort et positionner l'outil correctement.
	Le fil se tord.	Aucun son émis.	La barre d'armature n'est pas à la taille désignée.	Vérifier la taille de la barre d'armature à ligaturer.	Utiliser le diamètre approprié.
	Marche correctement.	Bip-bip-bip-bip-bip.... six bips Bip-bip-bip-bip-bip-bip. Bip-bip-bip-bip-bip-bip-bip...	Utilisation erronée, comme mauvaise manipulation de la machine. Faible source d'énergie dans la batterie. L'outil est utilisé à forte température.	Vérifier comment appliquer la machine sur les barres d'armature. Vérifier que la batterie est totalement chargée. Vérifier la température sur le charnier de travail.	Régler le couple de serrage moins fort et positionner l'outil correctement à 45°. Effectuer une charge normale. Laisser l'outil et la batterie dans une pièce à température normale pendant un certain temps, et reprendre ensuite l'opération.

## Sisältö

Kuvat ja tekniset tiedot.....	44	Lankarullan vaihtaminen .....	50
Tuotetiedot .....	46	Oikea käyttötapa .....	50
Langan tekniset tiedot .....	46	Huolto .....	51
Turvallisuus .....	46	Säilytys .....	51
Battery.....	46	Vianetsintä / korjaukset .....	51
Turvallisuusohjeet .....	47	Vianetsintä .....	52
Varo-ohjeet .....	48	Vaatimustenmukaisuusvakuutus.....	94
Käyttöohjeet.....	49	Rajoitettu takuu .....	95
Lankarullan asettaminen koneeseen .....	49		

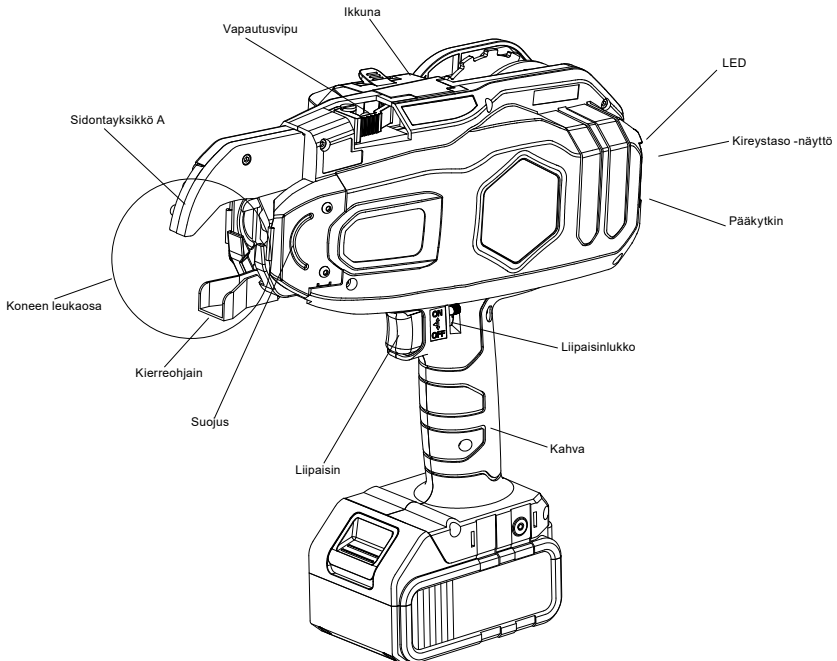
FI

## Kuvat ja tekniset tiedot

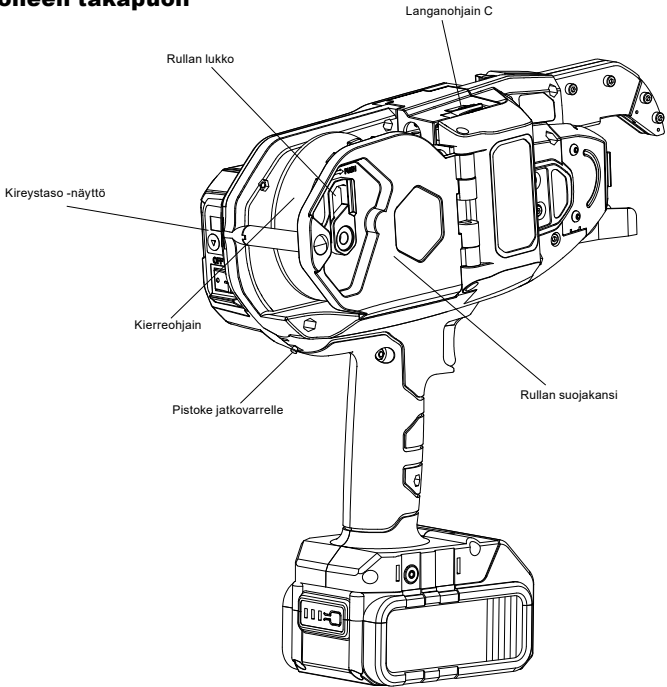


**Varoitus: Lue tämä käyttöohje ennen koneen käyttöä. Tätä käyttöohjetta on säilytettävä raudoitusaidan mukana.**

### Koneen etupuoli

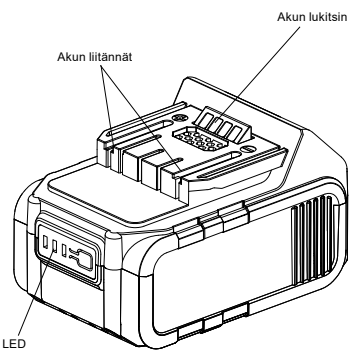
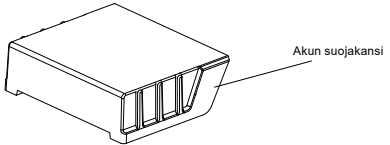


## Koneen takapuoli

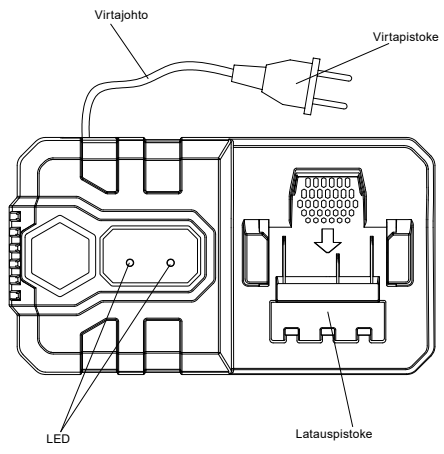


FI

## Akku



## Laturi



## Tuotetiedot

Tekniset tiedot	SRT25	SRT40	SRT58
Article no.	9VS2003N	9VS2002N	9VS2004N
Paino	2.5 kg	2.6 kg	2.8 kg
Mitat (K×L×P)	281×109×300 mm	297×109×300 mm	312×109×310 mm
Kierteet/sidonta	2 tai 3	2 tai 3	2 or 3
Sidottavan osan paksuus	8-25 mm	12-40 mm	30 - 58 mm
Sidontaa/lataus	+5.000 (3 kierrettä)	+4.500 (3 kierrettä)	+4.000 (3 kierrettä)
Akku	18V 4,0Ah litiumioni		
Laturi	Käytä vain hyväksytyä akkulaturia (VB0153EU).		
Latausaika	Täysi lataus = 90 min.		
Äänenpainetaso (Lpa) dB		68,1	
Äänenvoimakkuus (Lwa) dB		79,1	
Tärinätaaso m/s <sup>2</sup>		1,5	

FI

## Langan tekniset tiedot

Malli	Laatikko: 20 rullaa (08A20) Laatikko: 40 rullaa (08A40)		
Läpimitta	0.8 mm		
Pituus	Noin 100 m		
Materiaali	Galv.		
Sidontaa/rulla	SRT25	SRT40	SRT58
2 kierrettä	~ 220	~ 160	~ 120
3 kierrettä	~ 160	~ 120	~ 90

### Käyttökohteet

Käytettävissä olevien tankojen yhdistäminen: esipaneeli, betonielementit, betonirakenteet, lattiat ja seinät. Lattialämmityspotkien sitominen.

### Turvallisuus

Sidontatyön turvallisuuden parantamiseksi, sidoskoneon varustettu seuraavin turvallisuustekijöin.



**VAROITUS!** Varmista ennen koneen käyttöä, että se toimii asianmukaisesti. Jos Rebar-raudoitussidoskone ei toimi oikein, sitä ei saa käyttää.

### Liipaisinlukko

Sidoskone on varustettu liipaisimen lukituksella. Lukitse liipaisin, kun kone ei käytössä.



Aloittaessasi sitomisen, vapauta lukitus painamalla lukitsinta vasemmalle ja työnnä ylöspäin.

### Kierrehjain

Jos sidoslangan syöttöohjain on auki, kone ilmoittaa varoitusäänellä, eikä käynnisty. Sulje ja varmista että langan syöttöohjain on kiinni, jotta voit aloittaa sitomisen.



### Akku

#### Akun käyttöaika

Jos akku on ladattu täyteen, mutta se ei kestä käytössä pitkään, akku on viallinen. Vaihda se uuteen. Jos akun lämpötila on alhainen (10 °C tai alempi), akku latautuu pidempään.



**VARO!** Viallisia akkuja ei saa käyttää. Rebar-raudoitussidoskone ei toimi oikein.

## Litiumioniakkujen kierrätys

Akut sisältävät hengelle, sekä ympäristölle haitallisia ainesosia, jos niitä ei käsitellä asianmukaisesti. Akut on merkitty haitallinen –merkinnällä "X"

Akkuja ei saa laittaa talousjätteen sekaan, vaan pitää hävittää asianmukaisesti, esim. kierrätyspisteeseen. Näin akut kierrätetään ympäristöä kuormittamatta. Kysy lisätietoa paikalliselta jätteenkäsittelijältä kierrätyksestä.

## Turvallisuusohjeet

**VARO!** To avoid serious injuries to persons or property, please read these safety instructions carefully and make sure you understand them.

### Tärkeitä ohjeita Rebar-raudoitussidoskoneen käyttöä varten.



Rebar-konetta ei saa käyttää muuhun kuin tässä käyttöohjeessa mainittuihin tarkoituksiin. Muunlainen käyttö voi aiheuttaa vakavia tapaturmia. Kaikkia tässä käyttöohjeessa annettuja ohjeita on ehdottomasti noudatettava. Asiattomat – etenkin lapset – on pidettävä poissa työmaalta eivätkä he saa päästä käsittelemään tätä konetta.

### Käytä asianmukaisia suojavarusteita.

Työnantajan ja koneen käyttäjän on huolehdittava siitä, että tämän koneen käytön aikana pidetään suojalaseja. Suojujalasien on täytettävä työsuojelulakien ja -määräysten vaatimukset.

Käytä myös sivulta suojaavia suojujalaseja sidoskonetta käytettäessä.

### Käytä tarpeen mukaan kuulosuojasta,

ja huolehdi, että suojaus on saatavilla työkohteessa, mahdollisten kuulovaurioiden välttämiseksi.

### Älä päästä lapsia Rebar-raudoitussidoskoneen lähelle.

Konetta käytettäessä lähistölle ei saa päästää asiatomia, etenkin lapsia.

### Rebar-raudoitussidoskonetta ei saa käyttää helposti syttyvien aineiden lähetyillä.

Rebar-raudoitussidoskonetta ei saa koskaan käyttää paikalla, jossa on helposti syttyviä aineita tai höyryjä. Jos helposti syttyvien aineiden höyryjä pääsee koneen moottoriin, kone voi räjähtää.

### Rebar-raudoitussidoskonetta ei saa käyttää kosteissa tai märissä ympäristöissä.

Jos Rebar-konetta käytetään vesisateessa, kosteissa ympäristöissä tai vastaavissa paikoissa, sähköiskuvaara on moninkertainen. Rebar-raudoitussidoskonetta ei saa jättää paikkaan, jossa se voi kastua.

### Tarkista sidoskoneen kontaktipintojen puhtaus ja kunto, ennen akun asettamista koneeseen.

Tarkasta, että kaikki ruuvit on kiristetty huolella.

Löysälle jääneet ruuvit voivat aiheuttaa tapaturman tai laitevaurion. Varmista, että kaikki koneen käyttöosat ovat toimintakuntoisia. Jos osia puuttuu tai niitä on korjattava, ota välittömästi yhteyttä lähimpään jälleenmyyjään. Käytä ainoastaan valmistajan hyväksymiä osia.

### Käännä virta OFF –asentoon ja lukitse liipaisin, ennen akun vaihtoa/sidoslangan asentamista. Poista akku, virheen ilmetessä ja kun sidoskone ei ole käytössä.

Jos kone jää päälle, se voi aiheuttaa vaurioita.

### Pidä koneen nokka, langansyöttöruuut, sekä langanohjain puhtaina.

Varo sormien joutumista lähelle sidoskoneen nokkaa – liikkuva lanka, sekä –osat voivat aiheuttaa vahinkoa.

### Varo sidoskoneen suuaukkoa, kun kone käytössä.

Älä kosketa sidoslankaa, tai langanohjainta, kun kone on käytössä. Lankasidos voi aiheuttaa terveydelle vakavia vahinkoja.

### Älä osoita Rebar-raudoitussidoskonetta muihin henkilöihin käytön aikana.

Koneen syöttämä lanka voi aiheuttaa vakavia vammoja. Varo liikkuvia koneen osia, työskennellessäsi.

### Älä koske liipaisinta muutoin kuin sidontatyön aikana.

Kun et suorita raudoitusten tai putkien sidontatyötä, muista aina kytkeä koneen pääkytkin 0-asentoon ja lukita liipaisin ennen kuin siirät koneen muualle. Jos kone ei ole kytketty pois päältä ja lukittu, Rebar-kone saattaa käynnistyä vahingossa ja aiheuttaa vaarallanteen.

### Älä käytä Rebar-raudoitussidoskonetta, jos siinä on toimintahäiriö tai vika.

Jos kone ei toimi asianmukaisesti, käännä virta-katkaisin OFF –asentoon ja irrota akku, ennen tarkistusta.

Tarvittaessa ota yhteyttä jälleenmyyjään ja toimita Rebar-raudoitussidoskone korjattavaksi.

### Tarkista seuraavat kohdat, kun asennat akkua sidoskoneeseen. Älä aseta lankarullaa Rebar-raudoitussidoskoneeseen, jos:

- Kierrehajaimesta kuuluu ääni, vaikka Rebar-raudoitussidoskone ei olisi käytössä.
- Rebar-raudoitussidoskone on tavallista lämpimämpi, haisee oudolta, tai koneesta kuuluu ääntä, vaikka se ei ole käytössä.

Jos jokin edellä mainituista ilmenee sidoskonetta käytettäessä, saattaa koneelle aiheutua vahinkoa. Jos ongelma ei ole itse korjattavissa, ota yhteys sidoskoneen myyjään.

#### **Älä tee muutoksia Rebar-raudoitussidoskoneeseen.**

Rebar-raudoitussidoskoneen muuttaminen heikentää sen toimintoja ja etenkin turvallisuutta. Älä tee muutoksia Rebar-raudoitussidoskoneeseen.

#### **Varmista, että Rebar-raudoitussidoskone on hyvässä kunnossa.**

Huolla Rebar-raudoitussidoskonetta ohjeiden mukaan ja säännöllisesti. Näin varmistat koneen oikean toiminnan ja korkealaatuisen työjaljen. Suojaa koneen kahva öljyltä ja lialta.

#### **Käytä ainoastaan hyväksytyjä akkuja.**

Käytä tässä Rebar-raudoitussidoskoneessa ainoastaan LI-300-akkuja. Toisenlainen virtalähde, esim. toisentyypinen akku, kuiva akku tai auton akku, saattaa rikkoa koneen tai sytyttää sen palamaan.

#### **Lataa akut ennen käyttöä.**

Uusi akku tai pitkään käyttämätön akku voi olla tyhjä. Lataa se täyteen ennen käyttöä.

#### **Varo-ohjeet akun lataukseen, akkuihin ja laturiin liittyen**

##### **Käytä ainoastaan hyväksytyjä laturia.**

Käytä ainoastaan Rebar-raudoitussidoskoneen toimitussisältöön kuuluvaa laturia ja hyväksytyjä akkuja. Akkuja ei voi ladata muilla latureilla. Muun laturin käyttö voi vaurioittaa konetta, aiheuttaa sen ylikuumentumisen tai sytyttää sen palamaan.

##### **Käytä oikeaa latausjännitettä.**

Liitä laturi tavalliseen 100–240V AC syöttöjännitteeseen. Kytke laturi vain verkkojännitteeseen 100–240V AC. Muun kuin 100–240V AC jännitteen käyttäminen johtaa koneen toimintahäiriöihin ja/tai ylikuumentumiseen, mikä rikko akkun ja laturin.

##### **Älä käytä sarjalisämuuntajaa.**

##### **Älä lataa akkuja märässä tai kosteassa ympäristössä.**

Kastuneen akun, tai -laturin käyttö voi aiheuttaa sähköiskun vaaran.

##### **Älä kosketa pistokkeeseen tai laturiin märällä kädellä tai käsineellä.**

Sähköiskun vaara.

##### **Älä peitä käytössä olevaa laturia, tai aseta mitään laturin päälle.**

Laturi saattaa ylikuumentua ja syttyä palamaan.

##### **Älä pidä laturia ja akkuja lämmönlähteen tai avotulen lähellä.**

##### **Älä pidä akkuja helposti syttyvien esineiden lähellä.**

##### **Lataa akku hyvin ilmastoidussa tilassa.**

Älä jätä akkuja suoraan auringonpaisteeseen.

##### **Akun latauslämpötilan on oltava +5 °C...+40 °C.**

##### **Anna laturin tasautua latauskertojen välillä.**

##### **Pidä laturin liittimet puhtaina.**

Liittimissä oleva lika voi aiheuttaa sähköiskun tai vian. Laturin käyttöympäristön on oltava pölytön ja liaton.

##### **Käsittele laturin johtoa varovasti.**

Älä kanna laturia johdosta. Älä irrota laturin pistoketta seinästä vetämällä johdosta. Johto voi vioittua ja rikkoa ladattavan laitteen. Vaihda tai korjauta viallinen johto.

##### **Laita akun suoja akun päälle, kun akku ei ole käytössä, suojataksesi kontaktipinnat.**

Suojakorkki estää akun oikosulun.

##### **Varmista, että akun kontaktipinnat eivät pääse koskettamaan toisiaan.**

Oikosulku ylikuumentaa ja vaurioittaa akkuja.



## Käyttöohjeet

### Lankarullan asettaminen koneeseen.

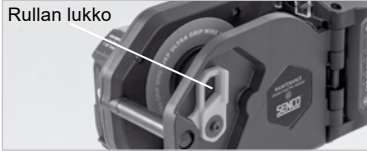


**VAROITUS!** Käännä pääkytkin OFF-asentoon, lukitse liipaisin ja irrota akku.

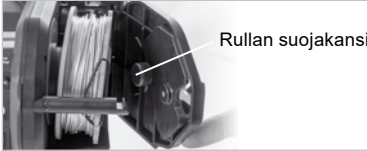
1. Työnnä vapautusvipu, kunnes se tarttuu lukkoon.



2. Avaa rullan suojakansi työntämällä rullan lukkoa.



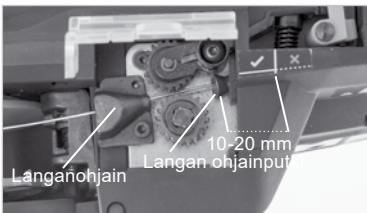
3. Aseta lankarulla koneeseen lanka ylös- ja eteenpäin. Sulje langanpidin ja -pysäytin varovasti.



4. Irrota langan alku irti rullasta ja irrota kuminauha.



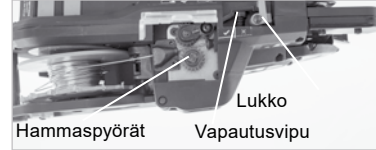
5. Aseta sidoslangan Kärki langanohjaimen C, langansyöttörraitaiden läpi, koneen syöttöputken sisään. (10-20mm)



Jos ikkuna on likainen, langanohjaimen C toimintaa on vaikea seurata.

Puhdista ikkuna pehmeällä kankaalla. Sulje ikkuna uudelleen välttääksesi vieraiden esineiden joutumista koneeseen.

6. Työnnä lukkoa. Tarkista, että vapautusvipu on alkuasennossaan ja hammaspyörät pitävät langan paikallaan.



7. Tarkista, että lanka on kireällä ja napakasti paikallaan. Älä päästä lankaa kiertymään lankarullan taakse. Jos lanka kiertyy, kone voi jumittua.



**VAROITUS!** Varo sormien joutumista lähellesidokoneen suuaukkoa, tai liikkuvia osia, kun virtakytkin on ON -asennossa. Pääkytkintä ei saa kytkeä jatkuvasti ON ja OFF-asennon välillä. Se voi rikkoa koneen. Älä koske lankaan, kun kone on käynnissä.



8. Aseta akku koneeseen ja käännä virtakytkin ON -asentoon.



9. Vapauta liipaisinlukko ennen sidonnan aloittamista.



### 10. Kierteiden säätö

Koneen kierremäärän tehdasasetus on 3 kierrettä. Voit vaihtaa asetukseksi 2 kierrettä: Kytke kone pois päältä pääkytkimellä. Pidä liipaisinta painettuna, kun käännät pääkytkimen takaisin päälle. Nyt yhden sidontakerran asetus on 2 kierrettä. Kun kone kytketään pois päältä, seuraavalla käynnistyskerralla käytetään taas 3 kierteen asetusta.



### 11. Kireyssäätimellä säädetään sidoksen kireys.

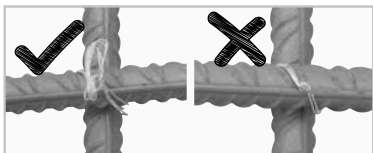
1. teksti ilmaisee sidosmäärän (3 oletus) ja 2. teksti ilmaisee kireyden.

Kireys voidaan säätää ylös-▲ ja alaspäin ▼ painonäppäimillä.

- 2 kierrettä = asento 1 - 5
- 3 kierrettä = asento 6 - 9

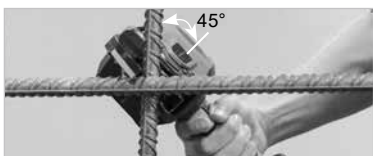


### 12. Suorita testisidos, oikean kireyden tarkistamiseksi.



## Oikea käyttötapa

1. Aseta sidontayksikkö A 45° kulmassa ristikkäisten harjaterästen päälle ja paina leukoja raudoitusta kohti.

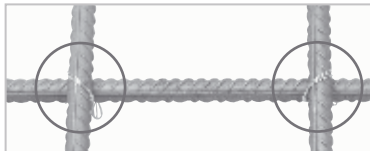


2. Aseta koneen nokkaosa A kohtisuoraan sidottavaan pintaan, suuaukko keskitettynä ristiin.



**VAROITUS!** Älä liikuta Rebar-raudoitus-konetta sidonnan aikana.

3. Tee harjaterästen sidonnat vuoron perään eri suuntiin.



### 4. Ristiinsidonta.

Paina ensimmäisen sidonnan solmu alas ennen kuin teet toisen sidonnan.



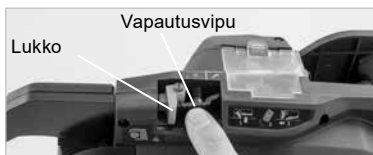
## Lankarullan vaihtaminen



**WARNING!** Käännä pääkytkin OFF-asentoon, lukitse liipaisin ja irrota akku.



1. Työnnä vapautusvipua, kunnes se tarttuu lukkoon.



2. Ota lankarulla pois koneesta.



3. Avaa rullan suojakansi työntämällä samalla rullan lukkoa. Nosta lankarulla pois kotelosta.



4. Aseta uusi lankarulla paikalleen ja toista ohjeet kohdasta "Lankarullan asettaminen koneeseen" sivu 49.

5. Akun energiansäästötoiminto.

Kone kytkeytyy pois päältä automaattisesti, kun se on ollut 10 minuuttia käyttämättä valmiustilassa.

## Huolto

1. Puhdista Rebar-raudoitussidoskone ja tarkasta sen kunto säännöllisesti.

2. Puhdista hammaspyörät ja niiden ympärillä olevat kohdat säännöllisesti, jotta koneen sisälle ei pääse toimintaa haittaavaa pölyä ja metallijäämiä. Puhdista pöly tavallisella ilmanpuhaltimella.



3. Puhdista jarruvaihte paineilmalla ja lisää puhdasta, hapotonta öljyä.



## Säilytys

Älä säilytä Rebar-raudoitussidoskonetta kylmässä. Säilytä konetta kuivassa tilassa, jonka lämpötila on noin 20 °C. Säilytä konetta lasten ulottumattomissa.

## Vianetsintä / korjaukset

Ajan myötä Rebar-raudoitussidoskone on huollettava ja kuluneet osat on vaihdettava. Vain valtuutettu jälleenmyyjä tai asiantuntija saa suorittaa koneen vianetsinnän ja/tai korjaukset.

Rebar-raudoitussidoskone ilmoittaa toimintahäiriöistä merkkäänellä. Etsi häiriön syy sivulla sivu 52 olevasta taulukosta.

**VAROITUS!** Jos koneessa esiintyy jokin taulukossa, 52 luetelluista häiriöistä, käännä pääkytkin OFF-asentoon ennen vikatilanteen korjaamista

Kun pääkytkin on ON-asennossa, älä laita sormia kierrehjaimen tai koneen muiden liikkuvien osien lähelle. Jos ongelma ei ratkea, ota yhteys jälleenmyyjään.

FI

## Vianetsintä

Normaali toiminta	Ongelma	Varoitusaäni	Syy	Tarkasta nämä	Kokeile tätä
Virta päällä → Päätöksellä on määrätty ja lankaleikkuri toimii automaattisesti.	Kone ei toimi.	Ei merkkiaääntä.	Akku on täysin tyhjä.	Varmista, että akku on ladattu.	Lataa akku.
		Piip-piip-piip-...	Kierrehajain on auki.	Avaa/sulje kierrehajain.	Sulje kierrehajain kokonaan.
		Piip-piip-piip-piip-piip-... 7 piippausta. Piip-piip-piip-piip-piip-piip-piip-piip-piip-piip-piip-... 1 piippaus	Sidontalanka on kietoutunut kierrekyksikön ympärille.	Kytke virta pois päältä ja irrota irrota akku. Tarkista sitten, onko sidontalanka kietoutunut kierrekyksikön ympärille.	Kytke virta pois päältä ja irrota kierrehajaimen sisällä oleva sidontalanka.
	Päätökseläin määritys epäonnistuu	Piip-piip-piip-piip-piip-... 7 piippausta. Piip-piip-piip-piip-piip-piip-piip-piip-piip-piip-... 1 piippaus	Akku on tyhjä.	Varmista, että akku on ladattu.	Lataa akku.
			Magneettilevyn (326) ja piirilevyn (325) välissä on likaa. Tai liitosjohdinta P ja/tai M ei ole liitetty oikein.	Tarkista, onko magneettilevyn (326) ja piirilevyn (325) välissä likaa. Tai tarkista liitosjohtimen P ja/tai M liittäminen.	Puhdista iika magneettilevyn (326) ja piirilevyn (325) välistä. Tai vaihda tilalle uusi liitosjohdin P ja/tai M.
			Liitosjohtimia A ja/tai U ei ole liitetty oikein tai sidontamoottori on syöpynyt puhki.	Tarkista liitosjohtimien A ja/tai U liittäminen.	Kytke liitosjohtimet A ja/tai U uudelleen tai vaihda ne. Tai vaihda uusi sidontamoottori.
Lipaisinta painetaan → Kone syöttää sidontalankaa.	Kone ei syötä sidontalankaa.	2 piippausta Pi-pi, Pi-pi-... 3 piippausta Pi-pi-pi, Pi-pi-pi-...	Kierrehajain on auki.	Avaa/sulje kierrehajain.	Sulje kierrehajain kokonaan.
			Sidontalanka on loppunut.	Tarkista, onko sidontalankarulla tyhjä.	Aseta koneeseen uusi sidontalankarulla.
			Sidontalanka on tarttunut rullian sisälle.	Tarkista, onko rullialla oleva sidontalanka löystynyt ja tarttunut kiinni.	Irrota rulliaan tarttunut lanka.
			Vieras esine, tai solmu sidontalankassa jumittaa langanohjaimen, tai suuaukon.	Tarkista, ettei langassa ole solmuja tai vierasesineitä.	Poista vierasesineet esim. painelimalalla. Kaikaise solmu langasta ja aseta lanka uudelleen.
			Huonokuntoinen langansyöttäjä tai langansyöttäjän moottori voi olla haitallinen.	Tarkista langansyöttäjän ja langansyöttäjämoottorin kytkentä.	Puhdista kytkemät. Vaihda langansyöttäjän moottori, jos tarpeellista.
			Sidontalanka on tarttunut leikkuriin tai langanohjaimeseen.	Tarkista, onko sidontalanka tarttunut johonkin.	Pura leikkuri osin ja irrota tarttunut sidontalanka.



## Innholdsfortegnelse

Spesifikasjoner og tekniske data .....	54	Montering av bindingstråden .....	59
Maskinspesifikasjoner .....	56	Slik bytter du trådrull .....	60
Trådspesifikasjoner .....	56	For korrekt binding .....	60
Sikkerhetsanvisninger .....	56	Vedlikeholdelse .....	61
Batteriopplading .....	56	Oppbevaring .....	61
Sikkerhetsinstruksjoner .....	57	Feilsøking og reparasjon .....	61
Forholdsregler .....	58	Problemløsning .....	62
Anvendelse .....	59	Samsvarserklæring .....	94
		Begrenset garanti .....	95

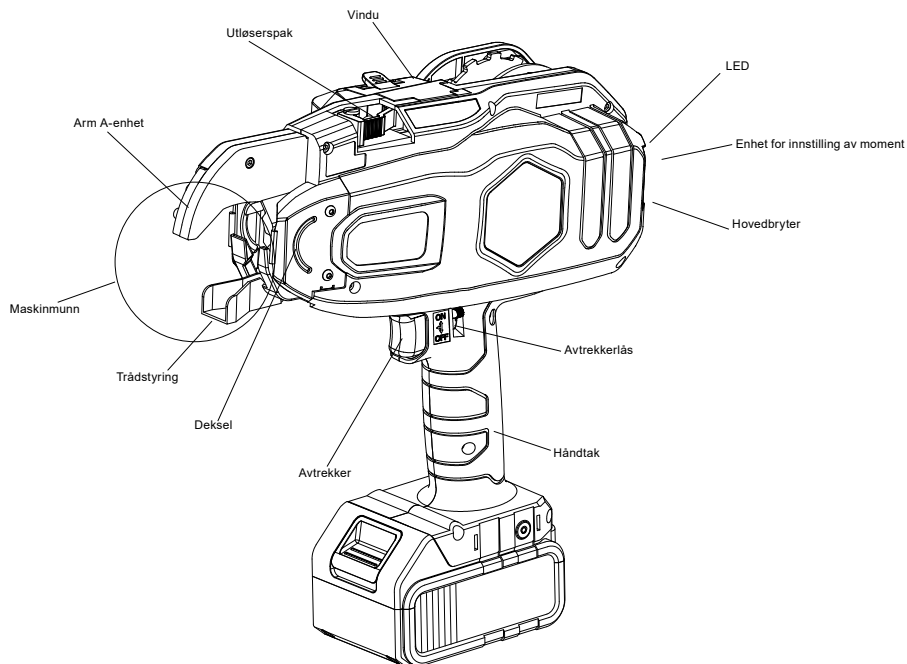
## Spesifikasjoner og tekniske data

NO

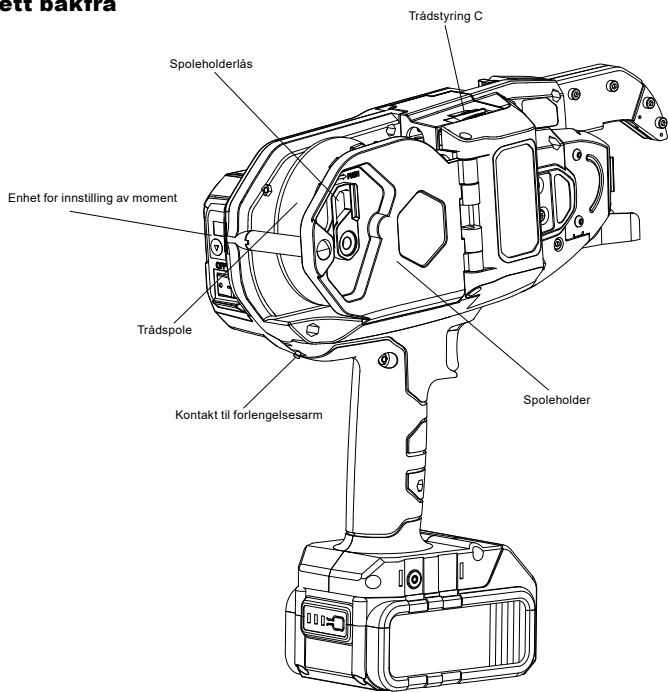


**OBS: Les bruksanvisningen nøye før du bruker jernbindemaskinen. Bruksanvisningen skal oppbevares sammen med maskinen.**

**Sett forfra**

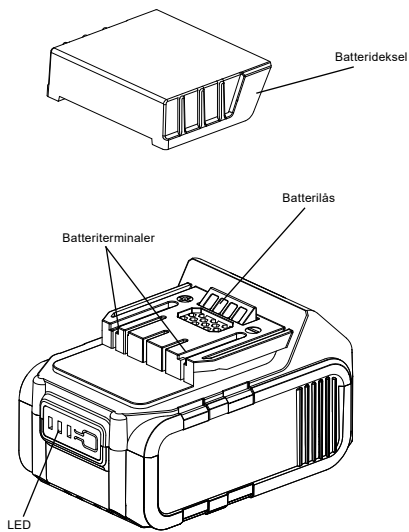


## Sett bakfra

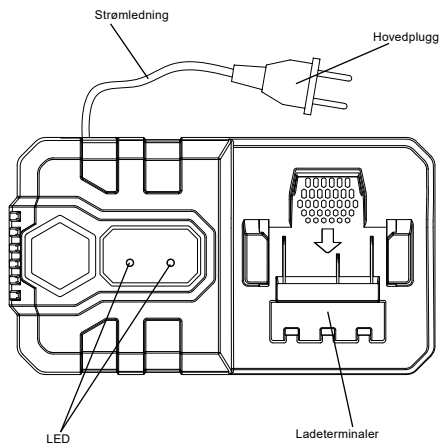


NO

## Batteri



## Lader



## Maskinspesifikasjoner

Tekniske data	SRT25	SRT40	SRT58
Article no.	9VS2003N	9VS2002N	9VS2004N
Vekt	2,5 kg	2,6 kg	2.8 kg
Størrelse (L × B × H)	281 × 109 × 300 mm	297 × 109 × 300 mm	312 × 109 × 310 mm
Antal bindinger pr. binding	2 alt. 3	2 alt. 3	2 or 3
Bindedimensjon	8-25 mm	12-40 mm	30 - 58 mm
Antall bindinger pr. oppladning	+5.000 (v/3 bindinger)	+4.500 (v/3 bindinger)	+4.000 (v/3 bindinger)
Batteri	18V 4,0Ah Li-ion		
Lader	Bruk bare godkjent lader Li18C (VB0153EU).		
Oppladningstid	Fullt oppladet = 90 min.		
Lydtrykknivå (L <sub>pa</sub> ) dB		68,1	
Lydstyrkenivå (L <sub>wa</sub> ) dB		79,1	
Vibrasjonsnivå m/s <sup>2</sup>		1,5	

## Trådspefikasjoner

Betegnelse	Eske: 20 roller (08A20) Eske: 40 roller (08A40)		
Diameter	0,8 mm		
Lengde pr. rull	ca. 100 m		
Materiale	Elgalvanisert		
Antall bindinger	SRT25	SRT40	SRT58
2 bindinger	ca. 220	ca. 160	ca. 120
3 bindinger	ca. 160	ca. 120	ca. 90

### Bruksområde

Binding av armeringsjern for: Prefabrikerte betong-elementer, betongkonstruksjon på stedet, vegger og gulv. Binding av rør til gulvvarme.

### Sikkerhetsanvisninger

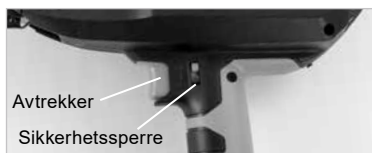
For å øke sikkerheten ved binding, er jernbindemaskinen utstyrt med sikkerhetsfunksjoner.



**VIKTIG!** Kontroller før bruk at anordningene fungerer som de skal. Hvis dette ikke er tilfellet skal maskinen ikke brukes!

### Avtrykksperre

Jernbindemaskinen er utstyrt med en lås. Lås utløseren og ta av batteriet når jernbindemaskinen ikke er i bruk.



Når du begynner å binde må du frigjøre låsen ved å trykke den til venstre og opp.

### Nedre trådstyring

Hvis du trykker på utløseren mens trådstyringen er åpen, vil jernbindemaskinen lage en varslingslyd og stoppe bindingen. Når du skal starte å binde må du frigjøre utløseren og forsikre deg om at trådstyringen er lukket.



### Batterioplading

#### Batteriets holdbarhet

Om batteriet lades helt, men driftstiden har minsket betydelig, er batteriet brukt opp og skal erstattes med ett nytt. Oppladningstiden forlenges om temperaturen er under 10°C.



**VIKTIG!** Bruk ikke oppbrugte batterier, da maskinen ikke vil fungere som den skal.



## Bruk av Li-ion-batterier

Batterier inneholder substanser som kan være skadelige for miljø og helse hvis de ikke håndteres på korrekt måte. Batteriene er merket med et utkrysset søppelkasse-symbol. Dette symboliserer at brukte batterier ikke skal kastes sammen med husholdningsavfallet, men leveres inn separat.

Det er viktig at du leverer inn batterier til etablerte innsamlingspunkt. På denne måten kan du sikre deg at batteriene blir gjenvunnet i henhold til lovverket, og ikke påfører miljøet unødvendig skade. Ditt lokale renholdsverk kan informere deg om hvordan du skal håndtere og gjenvinne denne typen batteri på korrekt måte.

## Sikkerhetsinstruksjoner



**VIKTIG!** For å unngå allvorige skader på personer og eiendom, skal du innen du bruker maskinen, lese nøye igjennom sikkerhetsanvisningene og forsikre deg om at du forstår disse.

### Forsiktighetsregler ved anvendelse av jernbindemaskinen

Å bruke maskinen til andre formål enn det som er angitt i bruksanvisningen kan medføre alvorlige skader. Forsikre deg om at du følger anvisningene i dette dokument. Personer som ikke har noe med arbeidet å gjøre, spesielt barn, skal holdes utenfor arbeidsområdet og skal ikke håndtere maskinen.

### Ansiktsbeskyttelse eller beskyttelsesbriller skal alltid brukes.

Både arbeidsgiver og bruker må forsikre seg om at brukeren har det sikkerhetsutstyr han skal ha for bruk av jernbindemaskinen. All beskyttelse skal oppfylle gjeldende krav, og beskytte både forfra og fra siden. **NB:** Briller uten sidebeskyttelse og ensidige beskyttelsesskjerm gir ikke tilstrekkelig beskyttelse.

### Det kan være nødvendig med hørselsbeskyttelse.

På mange anlegg kan det være nødvendig å bruke hørselsbeskyttelse for å unngå permanent skade på hørselen. Ansatte og arbeidsgivere må sørge for at korrekt hørselsvern er tilgjengelig og benyttes på anleggsområdet.

### Ingen barn i nærheten av jernbindemaskinen.

Ikke tillatt for publikum, spesielt ikke barn, å få komme i nærheten av maskinen når den er i bruk.

### Bruk ikke jernbindemaskinen i nærheten av brannfarlige emner.

Jernbindemaskinen skal ikke brukes i nærheten av lettantennlige væsker og damp (bensin, fortynner m.m.) Dampen fra disse kan suges inn i motoren og medføre risiko for eksplosjon.

### Bruk ikke jernbindemaskinen i vått miljø.

Om du utsetter jernbindemaskinen for vann, f.eks regn, dryppende vann osv., økes risikoen for støt. Beskytt derfor alltid maskinen mot vann.

### Kontroller delene til jernbindemaskinen før du setter i batteriet.

Kontroller at alle skruer er skrudd godt fast. Løse skruer kan forårsake ulykke eller maskinhavari. Sørg for at alle deler er intakte. Delene vil kunne bli slitt med tiden. Kontroller at ingen av delene er skadet, defekte og slitte. Om du behøver bytte eller reparere deler, ta kontakt med din forhandler. Bruk bare komponenter som er godkjent av produsenten.

### Sett hovedbryteren til OFF og lås utløseren når du skal bytte batteri og bytte/justere tråd. Ta ut batteriet hvis det oppstår en feil, og maskinen ikke kan benyttes.

Hvis du etterlater maskinen tent kan følgene være maskinhavari eller annen skade.

### Hold deg unna nesene, mategir og trådspoler jernbindemaskinen brukes.

IKKE hold fingrene dine i nærheten av nesene eller andre bevegelige deler da tråden og de bevegelige delene lett kan føre til skade.

### Hold deg unna maskinens munn når jernbindemaskinen brukes.

Du må ikke ta på tråden eller trådstyringen når maskinen binder. Du kan bli fanget i løkken, og bli påført alvorlig skade.

### Peik ikke jernbindemaskinen mot andre.

Personer kan bli skadet hvis maskinen treffer brukeren eller andre i nærheten. Når du binder må du være forsiktig og holde deg unna bevegelige deler.

### La aldri fingeren hvile på avtrykkeren.

Når du bærer maskinen eller ikke binder tråd, setter du hovedbryteren på OFF og sperrer avtrykkeren. I motsatt fall kan det hende at du aktiverer maskinen og forvolder skade.

### Bruk ikke maskinen ved funksjonsfeil.

Hvis jernbindemaskinen ikke fungerer som den skal, må du sette hovedbryteren til OFF, låse utløseren og ta av batteriet før du kontrollerer hva et er som er feil. OM nødvendig, kontakt din forhandler og sørg for at maskinen repareres.

NO

**Når du setter inn batteriet må du kontrollere følgende punkt. Sett ikke tråd i maskinen om noen av de følgende punkter er tilfelle:**

- Lyd høres fra maskinens bindemekanisme tross at maskinen ikke er i bruk.
- Maskinen avgir lukt eller uvanlig lyd tross at den ikke er i bruk.

Hvis ett av punktene ovenfor opptrer, og du fortsetter å bruke jernbindemaskinen uten at feilen korrigeres, kan det føre til skade på maskinen. Hvis det ikke er mulig å korrigere feilen, må du ta kontakt med forhandleren.

**Foreta ingen endringer av maskinen.**

Å gjøre endringer på maskinen nedsetter ikke bare funksjonen men også sikkerheten. Gjør ingen endringer på maskinen!

**Sørg for at maskinen er i god stand.**

For å opprettholde den mest sikre funksjon og det beste resultat bør du i god tid utskifte nedslitte eller ødelagte deler. Hold også håndtaket tørt og rent, og sørg for at det er fritt for olje og fett.

**Bruk bare godkjente batterier.**

Bruk bare 18V 4,0Ah Li-ion batteri av samme typen som den som følger med maskinen. Hvis du bruker andre typer batteri f.eks oppladbare eller bilbatteri kan maskinen overopphetes eller begynne å brenne..

**Opplad batteriet før bruk.**

Ett nytt batteri, eller ett batteri som ikke er brukt på lenge kan være utladet og skal derfor lades fullstendig opp innen bruk.

**Forholdsregler for lading av batteri, ladere og batterier**

**Bruk bare godkjent lader.**

Bruk bare den type lader som følger med maskinen. Batteriet kan ikke lades opp med annen lader, det kan medføre skade, overoppheting eller brann.

**Koble laderen til angitt nettspenning.**

Koble laderen til en vanlig 100-240V AC uttak. Du må ikke koble laderen til en strømkilde med en annen spenning enn 100-240V AC. Annen spenning kan skade laderen som i værste fall kan begynne å brenne.

**Bruk aldri opplader av booster type.**

**Opplad aldri batteri i vått eller fuktig miljø**

Lading av et vått eller fuktig batteri, eller bruk av en fuktig lader kan føre til elektrisk støt eller kortslutning.

**Rør ikke kontakten eller opplader med våt hånd eller hanske.**

Du kan skades av elektrisk støt.

**Du må ikke dekke til eller plassere noe på laderen under bruk.**

Laderen kan bli så varm at batteriet skades og laderen kan begynne å brenne.

**Sørg for at batterienheten og opplader ikke kommer i nærheten av åpen ild eller høy temperatur/varme.**

**Opplad ikke batteriet i nærheten av lettantennelige emner.**

**Opplad batteriet på et ventilert sted.**

Opplad ikke batteriet i direkte sollys.

**Opplad batteriet ved temp. mellom 5° og 40° C.**

**La oppladeren kjøle ned mellom hver gang du bruker den.**

Hvis du bruker samme opplader uten pauser mellom oppladingene vil den ikke fungere korrekt. Sørg for at oppladeren ikke brukes i 15 min etter hver opplading.

**Hold kontaktene rene.**

All smuss som sitter på kontaktene kan gi elektrisk støt eller funksjonsfeil. Opplad på et sted som er fritt for støv og andre fremmedlegmer.

**Hånder ledningen varsomt.**

Bær ikke laderen i ledningen. Trekk ikke kontakten ut i ledningen, ta fatt i støpselet. I motsatt fall kan ledningen ødelegges og lederene trekkes løs, noe som kan forårsake kortslutning. Er ledningen skadet skal den repareres eller skiftes.

**Sett batteridekslet over batteriterminalene når apparatet ikke er i bruk.**

Sett beskyttelseshetten over kontaktene for å forhindre kortslutning når den ikke er i bruk.

**Sørg for at batteriterminalene ikke kommer i kontakt med hverandre.**

En kortslutning mellom terminalene vil overopphete og skade batteriene.

## Montering av bindingstråden.

**VIKTIG!** Sett hovedbryteren i OFF, sperr avtrykkeren og ta bort batteriet.

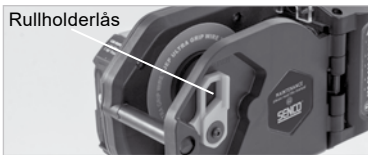


1. Trykk inn frigjøringsarmen og kontroller at den holdes tilbake av den orange sperre.

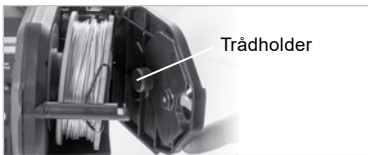


2.

Trykk på rullholderlås for å løsne rulleholderen.



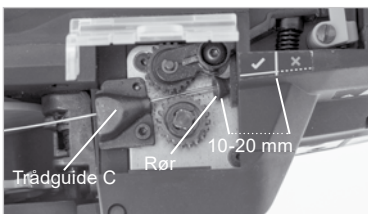
Sett i tråden med trådedden opp og fram. Lukk forsiktig trådholderen og fest rullholderlåsen.



4. Frigjør tråden og fjern gummibåndet.



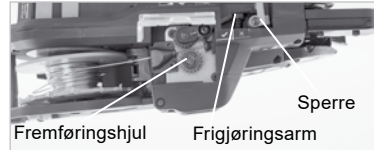
5. Sett enden av tråden inn i trådføring C, gjennom hullet i mategirene og helt inn i røret. (10 - 20 mm)



Hvis vinduet er skittent og det er vanskelig å bestemme plasseringen av trådføring C.

Rengjør innsiden av vinduet med en myk klut. Lukk vinduet igjen for å forhindre at det kommer fremmedlegemer inn i maskinen.

6. Løsne sperren og sjekk at frigjøreren er tilbake i sin opprinnelige posisjon. Kontroller at fremføringshjulene griper om bindetråden.



7. Spenn tråden gjennom å vri på trådrollen, unngå at tråden setter seg fast bak trådrollen da dette kan medføre blokkering.



**VIKTIG!** Når hovedbryteren er satt til ON, må du ikke plassere fingrene dine i nærheten av maskinens munn, eller noen av de bevegelige delene på maskinen. Unngå å gå for fort mellom ON og OFF etter-som det kan få maskinen til å slutte å virke. Rør ikke bindingstråden når maskinen er i bruk.



8. Skyv inn batteriet og sett hovedbryteren til ON.



9. Frigjør avtrekkersperren når du skal bruke maskinen





NO

## 10. Justering af bindingen

Som utgangspunkt kjører maskinen med 3 bindinger. For 2 bindinger gjøres følgende: Sluk maskinen på hovedbryteren. Aktivere og håll aftrækkeren nede, mens hovedbryteren tænds. Maskinen kjører nå med 2 bindinger. Hvis maskinen lukkes ned, vil den automatisk starte med 3 bindinger igjen.

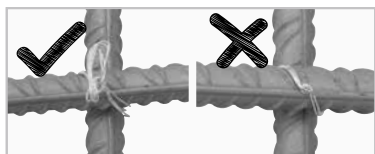


11. Juster strammemomentet. Det første sifferet viser aktuell innstilling for antall viklinger som foretas (3 er standard) og det andre sifferet viser strammemomentet til bindingene. Strammemomentet kan justeres høyere  eller lavere  ved hjelp av trykknappene. Vi anbefaler:

- 2 bindinger = innstilling 1-5
- 3 bindinger = innstilling 6-9

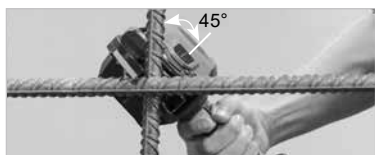


12. Gjør en prøve binding for å kontrollere at tilspenningsmomentet er ok.



## For korrekt binding

1. Hold maskinen i 45° vinkel mot armeringsjernet/røret i krysset, og trykk maskinens munn mot emnet.

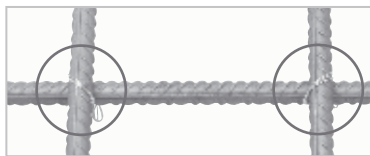


2. Plasser arm A vinkelrett på toppen av krysset til armeringsjernet, og med munnen sentrert over krysset.



**VIKTIG!** Flytt IKKE på maskinen under binding.

3. Bind hvert annet kryss hhv. høyre/venstre binding.



4. Kryssbinding.

Bøy vekk enden av den første bindingen før du binder neste.



## Slik bytter du trådrull.



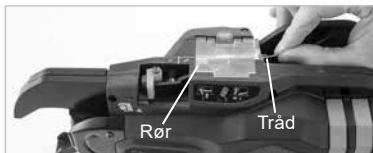
**VIKTIG!** Slå av maskinen (OFF), sperr avtrykkeren og ta bort batteriet



1. Trykk på frigjøreren og sørg for at den stoppes av sperren.



2. Fjern bindetråden.



3. Trykk på rulleholderlåsen og fjern bindetråden.



4. Monter ny bindetråd (se avsnitt montering av bindingstråden side 59).

5. Batterisparefunksjon

Maskinen slukker automatisk etter 10 min. Stand-by uten bruk

## Vedlikeholdelse

1. Rengjør og kontroller maskinen regelmessig.

2. For at maskinen's ytelse skal være optimal, skal du regelmessig rengjøre mekanismen omkring fremføringshjulet, samt nesene, med t ex tryckluft.



3. Rengjør bremsegiret med komprimert luft og påfør en ikke-etsende olje.



## Oppbevaring

Maskinen må ikke oppbevares under kalde forhold. Det bør holdes på ca. 20°C. Når maskinen ikke er i bruk, bør den holdes under varme og tørre forhold. Hold maskinen utenfor barns rekkevidde.

## Feilsøking og reparasjon

Feilsøking og reparasjon skal bare utføres av autorisert forhandler eller annen fagkyndig. Maskinen vil på et tidspunkt behøve service eller utskifting av komponenter på grunn av slitasje ved normal bruk.

Om det kommer feil på maskinen signaleres dette med lydsignaler. Se Feilsøkingstabellen side 62.



**VIKTIG!** Om du får en feil som beskrives i tabellen på side 62, skal du slå av maskinen innen du følger anvisningene i tabellen.

Når du slår av maskinen må du ikke røre trådmatingmekanismen eller maskinens munn. Om du ikke kan løse problemet, kontakt da din forhandler.

NO

Normal drift	Problem	Varselslyd	Arsak	Hva som skal sjekkes	Løsning
Strøm på → Spissakselen startes, og trådkutteren befestes automatisk.	Ingen drift.	Ingen lyd.	Batteriet er utladet.	Bekreft at batteriet er ladet.	Utfør normal lading.
			Elektrodeplaten er oksidert.	Ta ut batteriet og se om elektroden er blitt brun.	Puss batteripolen med en tørr klut e.l.
		Pi, pi, pi...	Trådstyringen er åpen.	Åpne/lukk trådstyring.	Lukk trådstyring helt.
			Bindetråden er viklet rundt videlen.	Slå av strømmen og ta ut batteriet for å sjekke om bindetråden har viklet seg inn i trådstyringen.	Slå av strømmen og fjern bindetråden inni trådstyringen.
		Pi-pi-pi-pi-pi.....	Batteriet er tomt.	Bekreft at batteriet er ladet.	Utfør normal lading.
	Spissakselen starter ikke.	7 bip. Pi-pi-pi-pi-pi-pi-pi, Pi-pi-pi-pi-pi-pi-pi...	Det er et fremmedlegeme mellom den magnetiske platen (pos. 326) og Route PWB-enheten (pos. 325). Eller dårlig forbindelse for koblingstråd "p" og/eller "M".	Sjekk om det er et fremmedlegeme mellom den magnetiske platen (pos. 326) og Route PWB-enheten (pos. 325). Eller dårlig forbindelse for koblingstråd "p" og/eller "M".	Fjern fremmedlegemet mellom den magnetiske platen (pos. 326) og Route PWB-enheten (pos. 325). Eller sett inn en ny koblingstråd "p" og/eller "M".
		1 bip	Dårlig forbindelse for koblingstråd "A" og/eller "U". Eller dreiemotoren er gått varm.	Sjekk forbindelsen til tråd "A" og/eller "U".	Koble til igjen eller skift tråd "A" og/eller "U". Eller sett inn en ny dreiemotor.
		2 bip Pi-pi, Pi-pi...	Trådstyringen er åpen.	Åpne/lukk trådstyring.	Lukk trådstyring helt.
Avtrekker PA (ON) → Tråd sendes ut.	Ingen tråd sendes ut.	3 bip Pi-pi-pi, Pi-pi-pi...	Tomt for bindetråd.	Sjekk om det er tomt for bindetråd.	Sett inn ny bindetråd.
			Tråd fanget inni spolen.	Sjekk om tråden inni spolen er løstnet og fanget.	Fjern den skadede tråd.
			Ei fremmedobjekt eller en løkke på tråden blokkerer trådføringen eller munnen.	Se etter fremmedlegemer eller løkker på tråden.	Fjern fremmedlegemer med komprimert luft e.l. Kapp av løkken og sett inn tråden igjen.
			Dårlig kontakt på trådføringsmotoren, eller så er motoren skadet	Kontroller kontaktene og trådføringsmotoren	Rengjør kontaktene. Bytt trådføringsmotoren om nødvendig.
			Det fanges en tråd i knivdelen eller trådstyring A.	Sjekk om det er fanget noe tråd.	Ta av knivdelen og fjern den fangede tråden.



## Innehållsförteckning

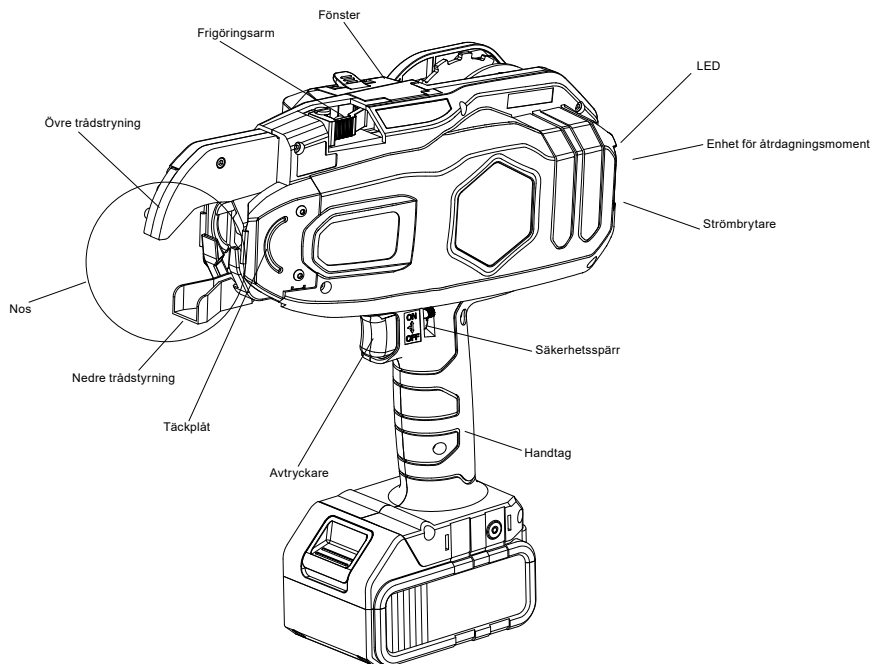
Specifikationer och tekniska data .....	64	Montering av najtrådsrulle .....	69
Maskinspecifikation .....	66	Så här byter du trådrulle .....	70
Trådspecifikation .....	66	För korrekt bindning.....	70
Säkerhetsanordningar .....	66	Underhåll .....	71
Batteriladdning.....	66	Förvaring .....	71
Säkerhetsinstruktioner .....	67	Felsökning och reparation .....	71
Försiktighetsåtgärder.....	68	Problemlösare.....	72
Handhavande.....	69	Deklaration om överensstämmelse.....	94
		Begränsad garanti .....	95

## Specifikationer och tekniska data



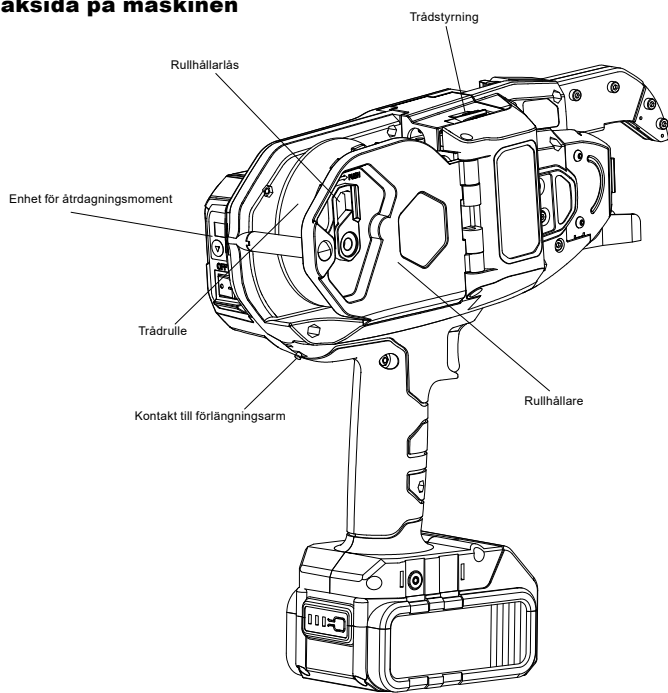
**OBS: Läs igenom bruksanvisningen innan du börjar använda najmaskinen. Bruksanvisningen bör förvaras tillsammans med maskinen.**

### Framsida på maskinen



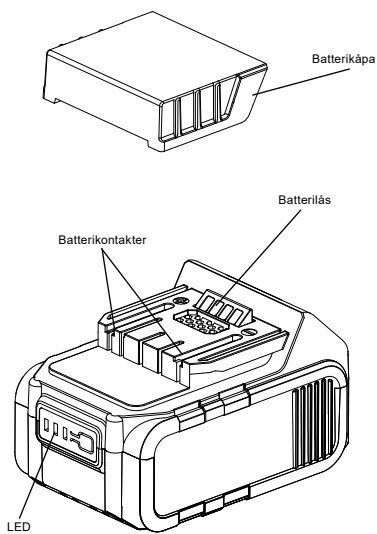


## Baksida på maskinen

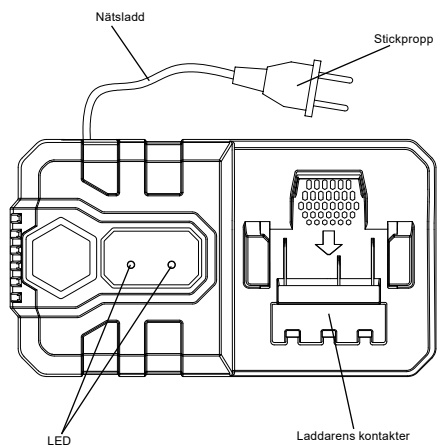


SE

## Batteri



## Laddare



## Maskinspecifikation

Maskindata	SRT25	SRT40	SRT58
Article no.	9VS2003N	9VS2002N	9VS2004N
Vikt	2,5 kg	2,6 kg	2.8 kg
Storlek (L×B×H)	281×109×300 mm	297×109×300 mm	312×109×310 mm
Antal varv per najning	2 alt. 3	2 alt. 3	2 or 3
Ämnestjocklek	8-25 mm	12-40 mm	30 - 58 mm
Antal najningar per uppladdning	+5.000 (v/3 najvarv)	+4.500 (v/3 najvarv)	+4.000 (v/3 najvarv)
Batteri	18V 4,0Ah Li-ion		
Laddare	Använd endast godkänd laddare Li18C (VB0153EU).		
Uppladdningstid	Full laddning = 90 min.		
Ljudtrycksnivå (L <sub>pa</sub> ) dB		68,1	
Ljudstyrkenivå (L <sub>wa</sub> ) dB		79,1	
Vibrationsnivå m/s <sup>2</sup>		1,5	

## Trådspecifikation

Beteckning	KRT: 20 rullar (08A20) KRT: 40 rullar (08A40)		
Diameter	0,8 mm		
Längd per rulle	ca 100 m		
Material	Elgalv.		
Antal najningar	SRT25	SRT40	SRT58
2 najvarv	ca. 220	ca. 160	ca. 120
3 najvarv	ca. 160	ca. 120	ca. 90

### Användningsområde

Infästning av armeringsjärn till prefabricerade betongelement, platsgjutna betongkonstruktioner, golv och väggar. Infästning av golvvärmerör.

### Säkerhetsanordningar

För att höja säkerheten vid najning är maskinen försedd med säkerhetsanordningar.



**WARNING!** Kontrollera innan användning att reglagen fungerar utan anmärkning. I annat fall får du inte använda maskinen.

### Avtryckarspärr

Som standard är maskinen försedd med en avtryckarspärr. När du slutar att najja ska du låsa avtryckaren genom att trycka den röda spärrknappen nedåt och ta ur batteriet ur maskinen.



När du ska börja najja för du avtryckarspärren något till vänster och uppåt.

### Nedre trådstyrning

Om du trycker in avtryckaren då den nedre trådstyrningen är nedfäld, avges ett varningsljud samtidigt som najningsfunktionen spärras. Släpp avtryckaren och fäll upp trådstyrningen.



### Batteriladdning

#### Batteriets hållbarhet

Om batteriet laddas helt, men drifttiden har minskat betydligt, är batteriet förbrukat och måste ersättas med ett nytt. Uppladdningstiden förlängs om omgivningstemperaturen understiger 10 °C.



**WARNING!** Använd inte förbrukade batterier. Maskinen kommer inte att fungera som den ska.

### **Återanvändning av Li-jon-batterier.**

Batterier innehåller ämnen som kan vara skadliga för människors hälsa och för miljön om de inte hanteras på rätt sätt. Batterierna är märkta med en överkryssad soptunna. Symbolen betyder att förbrukade batterier inte får kastas med det vanliga hushållsavfallet utan måste samlas in separat.

Det är viktigt att du lämnar in dina använda batterier på en återvinningsstation. På så sätt kan du se till att batterierna återvinns i enlighet med lagen och inte i onödan skadar miljön. Kontakta din lokala avfallsmyndighet för information om hur du ska kassera och återvinna den här typen av batteri på rätt sätt.

## **Säkerhetsinstruktioner**



**WARNING!** För att undvika allvarliga skador på person och egendom bör du, innan du tar maskinen i bruk, läsa igenom alla säkerhetsanvisningar och försäkra dig om att du förstår dem.

### **Försiktighetsregler vid användning av najmaskinen**

Att använda maskinen till andra ändamål än som anges i bruksanvisningen kan medföra allvarliga skador. Försäkra dig om att du följer alla anvisningar i detta dokument. Personer som inte har något med arbetet att göra, speciellt barn, bör hållas utanför arbetsområdet och bör inte få hantera maskinen.

### **Använd ansiktsskydd eller skyddsglasögon.**

Såväl arbetsgivaren som användaren måste försäkra sig om att användaren bär fullgott skydd för ögonen vid hantering av najmaskinen. Skyddsanordningen måste uppfylla gällande krav och normer samt ge skydd såväl framifrån som från sidan.

**OBS!** Glasögon utan sidoskydd och enkelsidig skyddsskärm ger inte tillräckligt skydd.

### **I vissa arbetsmiljöer krävs hörselkåpor.**

Vissa arbetsmiljöer innebär exponering för höga ljudnivåer som kan leda till permanent hörselnedsättning. Därför bör arbetsgivaren och användaren se till att nödvändiga hörselkåpor finns tillgängliga och att de används av all personal som befinner sig i arbetsområdet.

### **Inga barn i närheten av najmaskinen.**

Tillåt inga åskådare, speciellt inte barn, att komma i närheten av maskinen när den används.

### **Använd inte najmaskinen i närheten av brandfarliga ämnen.**

Använd inte najmaskinen i närheten av lättantändliga vätskor och ångor (förtunning, bensin, etc.). Ånga

från sådana vätskor kan sugas in i motorn och medföra risk för explosion.

### **Använd inte najmaskinen i våt miljö.**

Om du utsätter najmaskinen för vattenstänk, t ex regn eller vattensprut, ökar risken för att maskinen blir strömförande. Se till att skydda maskinen mot vatten.

### **Kontrollera maskinen innan du sätter i batteriet.**

Kontrollera att alla skruvar är åtdragna. Lösa skruvar kan förorsaka olycka eller maskinhaveri. Kontrollera att alla delar är hela. Detaljer slits med tiden. Kontrollera även att inga delar är skadade, felaktiga eller slitna. Om du behöver byta eller reparera delar, ta direktkontakt med din återförsäljare. Använd bara komponenter som är godkända av maskintillverkaren.

### **Slå av strömbrytaren (läge OFF) och spärra avtryckaren vid byte av batteri, justering av najtråden eller byte av trådulle. Ta alltid bort batteriet om det inträffar ett fel och maskinen inte kan användas.**

Lämnar du maskinen påkopplad kan det resultera i maskinskada eller annan skada..

### **Ha inga fingrar i närheten av maskinens nos, matningshjul och trådrulle när du använder maskinen.**

HÅLL INTE fingrarna nära maskinens nos eller andra rörliga delar eftersom najtråden och de rörliga delarna där mycket lätt kan förorsaka skador.

### **Rör inte maskinens nos under pågående najningsprocess.**

Rör inte najtråden eller trådstyrningen när najningen utförs eftersom du kan fastna i tråden och skadas allvarligt.

### **Rikta inte najmaskinen mot någon annan.**

Personer kan skadas om maskinen träffar användaren eller någon i närheten. Var mycket försiktig så att ingen kroppsdell kommer i närheten av maskinens rörliga delar när najningen utförs.

### **Låt inte något finger vila mot avtryckaren.**

När du bär maskinen, eller håller i den när du inte najar, ska du slå av strömbrytaren (läge OFF) och spärra avtryckaren. I annat fall kan det lätt hända att du oavsiktligt aktiverar maskinen och förorsakar skada.

### **Använd inte maskinen efter inträffat fel.**

Om maskinen inte fungerar korrekt ska du slå av strömbrytaren (läge OFF), spärra avtryckaren och ta bort batteriet innan du undersöker vad som orsakat felet. Om nödvändigt, kontakta din återförsäljare för att få maskinen reparerad.

**När du har satt i batteriet ska du kontrollera följande. Sätt inte i någon trådrolle om något av följande inträffat:**

- Ljud hörs från maskinens najmekanism trots att maskinen inte används
- Pistolen avger lukt eller ovanligt ljud trots att den inte används.

Om en av de ovan nämnda punkterna uppstår och du fortsätter att använda maskinen utan att först avhjälpa felet kan det skada maskinen. Om det inte är möjligt att avhjälpa felet ska du inte använda maskinen utan att först ha kontaktat din återförsäljare för undersökning av maskinen och eventuell reparation.

**Gör inga modifieringar av maskinen.**

Att modifiera maskinen kan inte bara försämra funktionen utan även säkerheten. Gör inga ändringar på maskinen!

**Håll maskinen i gott skick.**

För att se till att maskinen arbetar säkert och med optimalt najresultat bör du byta slitna och skadade detaljer i god tid. Håll alltid handtaget torrt och rent och se framför allt till att hålla det fritt från olja och fett.

**Använd endast godkända batterier.**

Använd uteslutande 18V 4,0Ah Li-ion-batterier av den typ som följer med i originalförpackningen. Med andra typer av uppladdningsbara batterier, torrcellsbatterier eller bilbatterier kan maskinen överhettas eller fatta eld.

**Ladda batteriet innan det används.**

Ett nytt batteri, eller ett batteri som inte använts på länge, kan vara urladdat och ska därför laddas fullständigt i batteriladdaren.

**Försiktighetsåtgärder för batteriladdning, laddare och batterier**

**Använd endast godkänd laddare.**

Använd bara den typ av laddare som ingår i originalförpackningen. Batteriet kan inte laddas med annan typ av laddare, då detta kan medföra skada, överhettning eller brand.

**Anslut batteriladdaren till angiven nätspänning.**

Se till att du ansluter laddaren till ett vanligt 100-240V AC nätuttag. Anslut inte laddaren till ett nätuttag med annan spänning än 100-240V AC. Annan spänning kan förorsaka skada på laddaren som, i värsta fall, kan fatta eld.

**Ladda inte batteriet i våt eller fuktig miljö.**

Att ladda en fuktig eller våt batterienhet eller använda en fuktig laddare kan ge dig en elektrisk stöt eller orsaka kortslutning.

**Berör inte laddaren eller dess stickpropp med våt hand eller handske.**

Du kan skadas av elektrisk stöt.

**Täck inte över och placera inga saker på laddaren under pågående laddning.**

Laddaren kan bli så varm att batteriet skadas. Laddaren kan fatta eld.

**Se till att batteri och laddare inte utsätts för hög värme, t ex från öppen eld.**

**Lämna inte batteriet i närheten av lättantändliga ämnen.**

**Förvara batteriet på en välventilerad plats.**

Ladda inte i direkt sol.

**Ladda batteriet i en omgivningstemperatur av 5 – 40 °C.**

**Låt laddaren svalna mellan laddtillfällena.**

Om du använder laddaren till att ladda flera batterier utan paus emellan kommer den inte att fungera korrekt. Låt den svalna i 15 minuter mellan varje full-laddning.

**Håll laddarens kontakter rena.**

Smuts och skräp på laddarens kontakter kan ge upphov till elektrisk stöt eller funktionsfel. Utför laddningen på en plats om är fri från damm och andra partiklar.

**Handle the charger cord carefully.**

Do not carry the charger in the cord, and do not unplug it by pulling the cord. You will risk that the cord becomes damaged and will cause a malfunction. A damaged cord must be replaced or repaired.

**Montera batterikåpan på batterikontakterna när maskinen inte används.**

Detta måste göras för att förhindra en kortslutning i batteriet.

**Se till att batterikontakterna inte kommer i kontakt med varandra.** En kortslutning mellan kontakterna kommer att överhettas och skada batterierna.

## Montering av najtrådsrulle.

**WARNING!** Sätt strömbrytaren i läge OFF, spärra avtryckaren och ta bort batteriet.

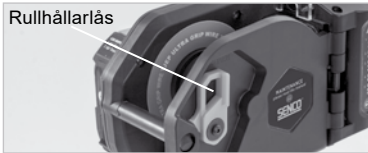


1. Tryck in frigöringsarmen och kontrollera att den hålls kvar av den röda spärren.

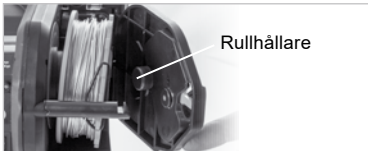


2.

Tryck på rullhållarlåset mot nosen för att lossa rullhållaren.



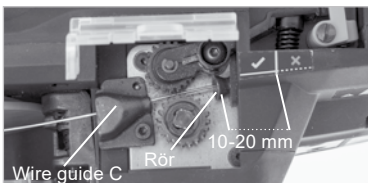
3. Sätt trådrollen i hållaren med tråden utgående från rullens ovasida och riktad framåt mot nosen. Tryck in rullhållaren försiktigt och håll den intryckt medan du för tillbaka rullhållarlåset.



4. Frigör tråden och ta av gummibandet.



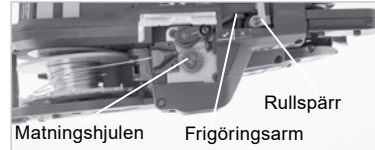
5. För in tråden i den trattformade trådstyrningen C mellan matningshjulen och vidare in i nästföljande rör (10–20 mm).



Om fönstret är smutsigt och det är svårt att se trådstyrningen C faller du bara upp det och rengör med en mjuk trasa.

Stäng fönstret igen för att förhindra att smuts kommer in i maskinen.

6. Lösgör frigöringsarmen genom att trycka den röda spärren mot nosen. Kontrollera att matningshjulen ligger an mot tråden.



7. Se till att tråden är helt tätt. Spänn tråden genom att vrida på trådrollen.



**WARNING!** När du slår på maskinen (strömbrytaren i läge ON) får du inte ha fingrarna i närheten av maskinens nos eller andra rörliga delar på maskinen! Undvik att växla snabbt mellan lägena ON och OFF eftersom det kan få maskinen att sluta fungera. Rör inte najtråden när maskinen används.



8. Sätt i batteriet och ställ maskinens strömbrytare i läge ON.



9. Frigör avtryckarens spärr när du ska använda maskinen.



## 10. Justering av viklinger

Som utgångspunkt använder sig maskinen av 3 varv. För 2 varv görs följande: Stäng av maskin på strömbrytaren. Aktivera och håll avtryckaren inne, samtidigt som du slår på strömbrytaren. Maskinen kör nu med 2 varv. Om maskinen stängs av, kommer den automatiskt att starta med 3 varv igjen.



11. Enheten för åtdragningsmomentet av najning. 1. displayen visar antal varv per najning (3 är default) och 2. visar åtdragningsmomentet.

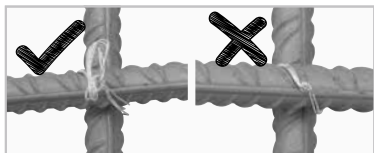
Momentet kan justeras uppåt (▲) och nedåt (▼) genom att trycka på knapparna.

Vi rekommenderar:

- 2 varv = inställning 1-5
- 3 varv = inställning 6-9

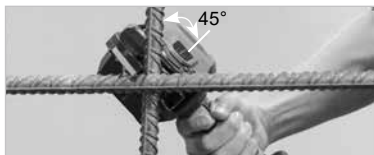


12. Gör en provnajning för att kontrollera om åtdragningskraften är den rätta.



## För korrekt bindning

1. Håll maskinen i 45° vinkel mot armeringsjärnen / rören i krysset och tryck maskinens nos mot ämnet.

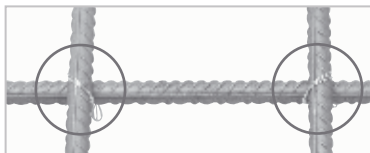


2. Placera den övre trådstyrningen vinkelrätt över armeringsjärnet i krysset och med nosen centrerad över krysset.



**WARNING!** Rubba inte maskinen medan najningen utförs.

3. Najning bör ske "i båda riktningarna" över varje kryss.



4. Kryssnajning.

Böj undan tråden på den första najningen innan du utför den nästa.



## Så här byter du trådrulle.



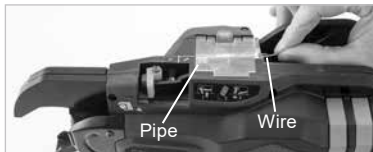
**WARNING!** Slå av maskinen (OFF), spärra avtryckaren och ta bort batteriet.



1. Tryck in frigöringsarmen tills den hakas upp av sin spärrhake..



2. Dra ur najtråden ur matningsmekanismen.



3. Tryck på rullhållarlåset så att rullhållaren lösgörs och lyft bort rullen.



4. Sätt i ny trådrollen (se avsnittet "Montering av najtrådsrulle" sidan 69).

5. Batterisparefunktion.

Maskin stängs automatiskt av efter 10 min. Stand-by utan användning.

## Underhåll

1. Se till maskinen regelbundet.

2. Rengör trådmatningsmekanismen. För att du ska kunna utnyttja maskinen optimalt måste du rengöra trådmatningsmekanismen och framme i näbben regelbundet, t ex med tryckluft.



3. Rengör bromsanordningen med tryckluft och applicera syrafri olja.



## Förvaring

Maskinen ska förvaras i rumstempererat och torrt utrymme samt så att barn inte kan nå den

## Felsökning och reparation

Så småningom kommer maskinen att kräva reparation eller byte av delar på grund av normal förslitning. Felsökning och reparation får endast utföras av auktoriserad återförsäljare eller annan behörig specialist.

Om det inträffar ett fel signalerar maskinen med en ljudsignal. Se felsökningstabellen på sida 72.



**WARNING!** Om ett fel som beskrivs i felsökningstabellen (sida 72) inträffar, ska du slå av maskinen innan du följer anvisningen för felavhjälpning. När du slår till maskinen igen får du inte vidröra trådmatningsmekanismen eller maskinens nos.

Om du inte lyckas avhjälpa felet ska du slå av maskinen och kontakta din återförsäljare

SE





Normal funktion	Fel	Varningsljud	Orsak	Kontroll	Åtgärd
Najtråden bildar en cirkel.	Oglen är i oordning och hoppar ur den nedre trådstyrningen.	Inget ljud.	Tråden krokar med armeringsjärnen och trycks tillbaka.	Kontrollera om tråden krokar med armeringsjärnen under najningen.	Se till att tråden inte krokar med armeringsjärnen under najningen.
Tråden ska klippas av.	Tråden klipps inte av.	Inget ljud.	Kniven är blockerad av främmande föremål eller så är kniven utsliten.	Kontrollera att alla delar av kniven fungerar som de ska.	Renbläs kniven med tryckluft och byt ut slitna delar vid behov.
Tråden vrids inte.	Tråden trasslar ihop sig.	Inget ljud.	Tråden krokar med armeringsjärnen och trycks tillbaka.	Kontrollera om tråden krokar med armeringsjärnen under najningen.	Se till att tråden inte krokar med armeringsjärnen under najningen.
		7 pips Pip-pip-pip-pip-pip-pip-pip..	Det sitter ett främmande föremål mellan magnettattan (pos. 326) och styrkortsenheten (pos. 325). Eller kabel "P" och/eller "M" har dålig kontakt.	Kontrollera om det sitter något främmande föremål mellan magnettattan (pos. 326) och styrkortsenheten (pos. 325). Eller kontrollera anslutningen av kabel "P" och/eller "M".	Ta bort det främmande föremålet mellan magnettattan (pos. 326) och styrkortsenheten (pos. 325). Eller byt ut kabel "P" och/eller "M" mot en ny.
		4 pips Pip-pip-pip-pip..	Najtråden har fastnat runt nosaxeln. Kablarna "A" och/eller "U" har dålig kontakt. Eller najningsmotor är bränd.	Kontrollera om najtråden har fastnat i nosaxeln. Kontrollera anslutningen av kablarna "A" och/eller "U".	Ta bort oönskad najtråd. Dra fast kablarna "A" och/eller "U" eller byt ut dem. Eller byt ut najningsmotor mot en ny.
	Najningen är för lös.	Inget ljud.	Armeringsjärnen har inte lämplig storlek. Pistolens halls inte rätt mot ämnet eller ådragningskraften är inte rätt inställd.	Kontrollera storleken på de armeringsjärn som ska najas. Tank på hur du håller pistolen mot ämnet.	Använd lämplig diameter för verktyget. Ställ in en högre ådragningskraft och använd pistolen på rätt sätt.
	Najningsknuten brister.	Inget ljud.	Armeringsjärnen har inte lämplig storlek. Fel hantering, t.ex. pistolen hålls felaktigt.	Kontrollera storleken på de armeringsjärn som ska najas. Kontrollera hur pistolen ska hållas mot armeringsjärnen.	Använd lämplig diameter för verktyget. Ställ in en lägre ådragningskraft och håll pistolen vertikalt och i 45° vinkel mot armeringsjärnen.
	Funktionen ok.	Pip-pip-pip-pip-pip..	Batteriet håller på att ta slut.	Kontrollera att batteriet är fulladdat.	Ladda batteriet på normalt sätt.
		6 pips Pip-pip-pip-pip-pip-pip..	Verktyget används vid hög temperatur.	Kontrollera temperaturen på arbetsplatsen.	Låt verktyget och batteriet ligga i normal rumstemperatur en tid och fortsätt sedan arbetet.



## Indholdsfortegnelse

Specifikationer og tekniske data .....	74	Isætning af bindetrådsrulle .....	79
Maskindata .....	76	Sådan udskiftes bindetråden.....	80
Tråddata .....	76	For korrekt stamhed.....	80
Sikkerhedsanordning .....	76	Vedligeholdelse .....	81
Batteri.....	76	Opbevaring .....	81
Sikkerhedsinstruktioner.....	77	Fejlsøgning / reparationer .....	81
Sikkerhedsforhold.....	78	Problemløsning.....	82
Anvendelse .....	79	Overensstemmelseserklæring .....	94
		Begrænset garanti .....	95

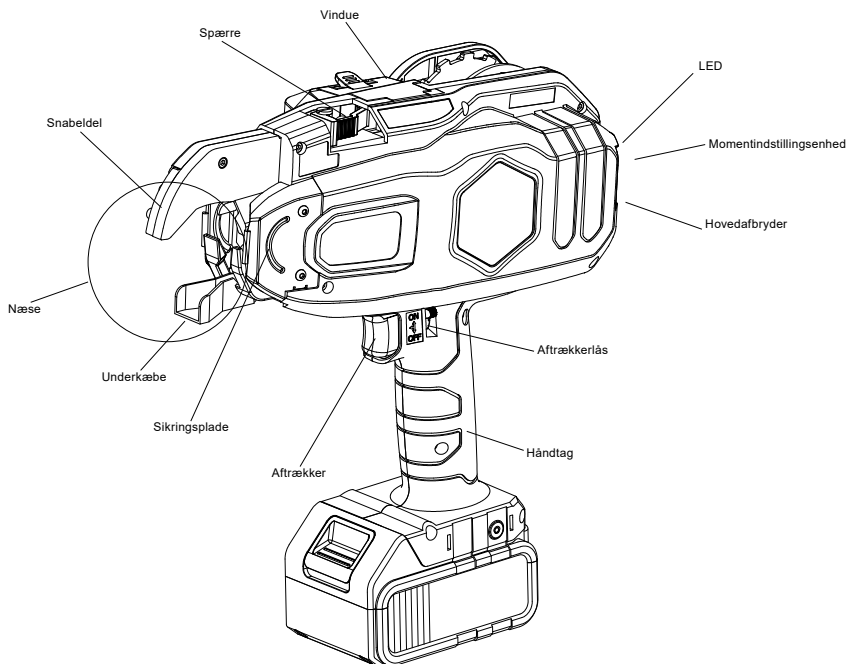
## Specifikationer og tekniske data



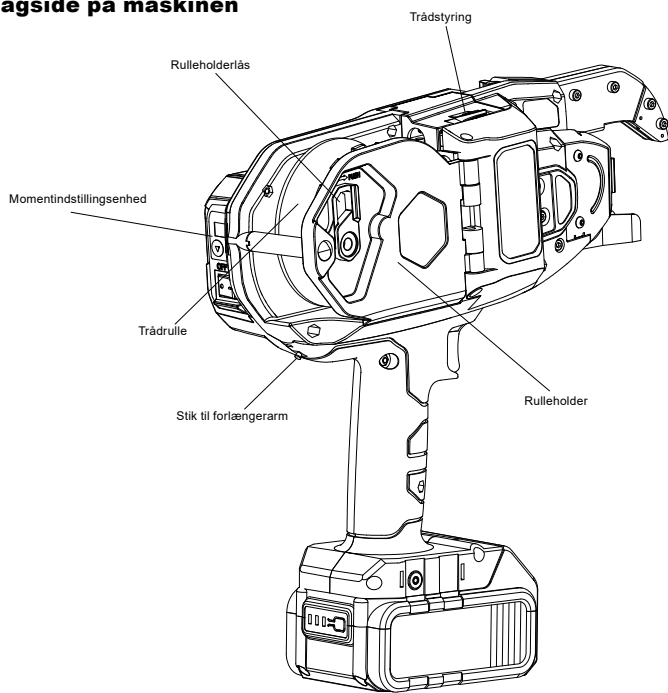
**OBS: Det anbefales at gennemlæse vejledningen inden brug. Denne vejledning bør opbevares sammen med maskinen.**

DK

### Forside på maskinen

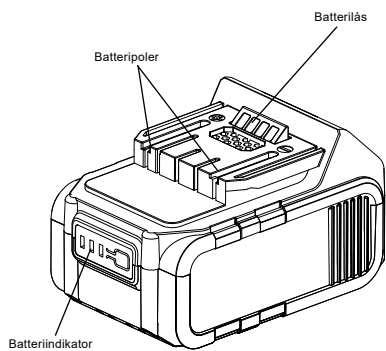
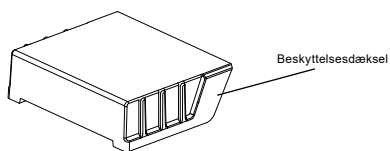


## Bagside på maskinen

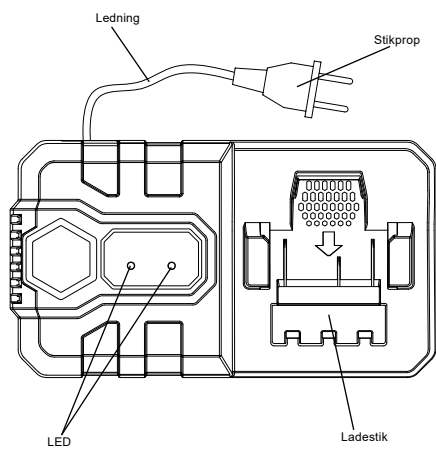


DK

## Batteri



## Lader



## Maskindata

Modelbetegnelse	SRT25	SRT40	SRT58
Article no.	9VS2003N	9VS2002N	9VS2004N
Vægt	2,5 kg	2,6 kg	2.8 kg
Størrelse (L×B×H)	281×109×300 mm	297×109×300 mm	312×109×310 mm
Antal viklinger pr. binding	2 eller 3	2 eller 3	2 or 3
Emnetykkelse	8-25 mm	12-40 mm	30 - 58 mm
Antal bindinger pr. opladning	+5.000 (v/3 vikl.)	+4.500 (v/3 vikl.)	+4.000 (v/3 vikl.)
Batterienhed	18V 4,0Ah Li-ion		
Oplader	Anvend kun godkendt oplader af typen Li18C (VB0153EU).		
Tid for opladning	Fuld opladning = 90 min.		
Lydtrykniveau (Lpa) dB		68,1	
Lydeffektniveau (Lwa) dB		79,1	
Vibrationsniveau m/s <sup>2</sup>		1,5	

## Tråddata

Modelbetegnelse	Box med 20 ruller (08A20) Box med 40 ruller (08A40)		
Diameter	0,8 mm		
Længde	ca. 100 m		
Materiale	Galvaniseret		
Antal bindinger	SRT25	SRT40	SRT58
2 viklinger	ca. 220	ca. 160	ca. 120
3 viklinger	ca. 160	ca. 120	ca. 90

### Anvendelsesområder

- Fastgørelse af armeringsjern til præfabrikerede betonelementer, gulve, vægge, broelementer osv.
- Fastgørelse af gulvvarmeslanger

### Sikkerhedsanordning

For at øge sikkerheden ved anvendelse er maskinen udstyret med sikkerhedsanordninger.



**ADVARSELI** Kontrollér før anvendelse, at anordningerne fungerer som tilsigtet.

Anvend ikke bindemaskinen, hvis dette ikke er tilfældet.

### Aftrækkerlås

Maskinen er som standard udstyret med en aftrækkerlås. Lås aftrækkeren og fjern batteriet, når maskinen ikke anvendes.



Når du begynder at binde, deaktiveres låsen ved at trykke aftrækkerlåsen til venstre og opad.

### Underkæbe

Hvis du trykker aftrækkeren ind mens underkæben er åben, afgiver maskinen et advarselssignal og spærre bindefunktionen. For at binde skal du først slippe aftrækkeren og sørge for, at underkæben er lukket.



### Batteri

#### Batteriets holdbarhed

Hvis batterienheden er fuldt opladet, men driftstiden er mindsket betydeligt, er batteriet opbrugt og skal udskiftes med et nyt. Hvis batteriets temperatur er lav (10°C eller lavere), forlænges opladetiden.



**ADVARSELI** Anvend ikke opbrugte batterier. Maskinen vil ikke fungere korrekt.

## Bortskaffelse af batterier

Batterier indeholder stoffer, der kan være skadelige for menneskers sundhed og for miljøet, hvis de ikke håndteres korrekt. Batterier er mærket med den overkrydsede skrædespand. Den symboliserer, at udtjente batterier ikke må bortskaffes sammen med usorteret husholdningsaffald, men skal indsamles særskilt.

Det er vigtigt, at du afleverer dine udtjente batterier til de indsamlingsordninger, der er etableret. På denne måde er du med til at sikre, at batterierne genanvendes i overensstemmelse med lovgivningen og ikke unødigt belaster miljøet. Alle kommuner har etableret indsamlingsordninger, hvor udtjente, bærbare batterier bliver afhentet direkte fra husholdningerne, eller gratis kan afleveres af borgerne på genbrugsstationer og andre indsamlingssteder. Nærmere information kan fås hos kommunens tekniske forvaltning.

## Sikkerhedsinstruktioner



**ADVARSEL!** For at undgå alvorlige skader på personer eller ejendom, bør du før anvendelse læse alle sikkerhedsinstruktioner nøje og sikre dig, at du forstår dem.

### Sikkerhedsforhold ved anvendelse af binde-maskinen

At anvende maskinen til andre formål eller på en måde, som ikke angives her i manualen, kan medføre alvorlige ulykker. Sørg derfor for, at du følger alle anvisninger i manualen. Personer, som ikke har noget med arbejdet at gøre, specielt børn, bør holdes borte fra arbejdsområdet og bør ikke få adgang til maskinen.

### Anvend beskyttelsesmaske eller beskyttelsesbriller.

Arbejdsgivere og brugere skal sikre sig, at brugeren bærer forsvarlig øjenbeskyttelse ved brug af maskinen. Beskyttelsen skal opfylde gældende krav og normer samt give beskyttelse både forfra og fra siden. **OBS:** Briller uden sidebeskyttelse samt enkelt-sided beskyttelseskærm giver ikke tilstrækkelig beskyttelse.

### I en del arbejdsmiljøer behøves høreværn.

Da en del arbejdsmiljøer indebærer eksponering for høje lyd niveauer, som kan lede til vedvarende hørenedsættelse, bør arbejdsgivere og brugere sørge for, at nødvendigt høreværn forefindes og anvendes af operatøren og andet personale inden for arbejdsområdet.

### Ingen børn i nærheden af bindemaskinen!

Tillad ingen tilskuere, specielt ikke børn, at komme i nærheden af maskinen under anvendelse.

### Bind ikke i nærheden af brandfarlige emner.

Anvend aldrig bindemaskinen i nærheden af letantændelige væsker og dampe (fortynder, benzin etc.). Dampe fra sådanne væsker kan suges ind i motorerne og på den måde medføre risiko for eksplosion.

### Anvend ikke bindemaskinen i vådt miljø.

Hvis du benytter bindemaskinen i regn, hvor vand drypper, på et vådt sted, i et fugtigt lokale eller på lignede steder, øges risikoen for elektrisk stød og fejlfunktion. Efterlad ikke maskinen, hvor den kan blive våd.

### Kontroller delene, inden du sætter batteriet i.

Kontroller, at alle skruer er korrekt tilspændte. Mangelfuld tilspænding kan forvolde ulykke eller maskinhavari. Kontroller, at alle dele er hele. Dele slides med tiden. Se også efter, at ingen dele er beskadigede, defekte eller slidte. Hvis du skal bytte eller reparere dele, tag da direkte kontakt til forhandleren. Anvend kun komponenter, som er godkendt af producenten.

### Sæt hovedafbryderen på OFF og lås aftrækkeren, når du skal skifte batteri eller skifter/justerer bindetråden. Fjern desuden batteriet, hvis der sker fejl og når maskinen ikke anvendes.

Hvis du efterlader maskinen tændt, kan følgerne være maskinhavari eller anden skade.

### Ingen fingre i nærheden af næsen, fremføringshjul eller trådrollen.

Du må IKKE have fingrene i nærheden af næsen eller andre bevægelige dele, da bindetråden og de bevægelige dele meget let kan forårsage skader.

### Rør ikke bindetråden, når maskinen kører.

Rør ikke bindetråden, når maskinen kører, da du kan fastgøres i bindetråden og komme til skade.

### Peg ikke bindemaskinen mod andre.

Personer kan skades, hvis maskinen træffer brugeren eller nogen i nærheden. Når du binder med maskinen, skal du være meget forsigtig, således at ingen kropsdele kommer i nærheden af de bevægelige dele.

### Undgå at have fingeren unødigt på aftrækkeren.

Når du bærer bindemaskinen eller ikke binder, sætter du hovedafbryderen på OFF og låser aftrækkeren. I modsat fald kan det let ske, at du uhensigtsmæssigt aktiverer bindemaskinen og forvolder skade.

### Bind ikke med maskinen ved funktionsfejl.

Hvis maskinen ikke fungerer korrekt, sætter du hovedafbryderen på OFF, låser aftrækkeren, fjerner batteriet og undersøger fejlen. Kontakt forhandleren ved behov, og sørg for at maskinen repareres.

**Efter isætning af batteriet skal du kontrollere nedenstående punkter. Sæt ikke en bindetrådsrulle i maskinen i disse tilfælde.**

- Når du har isat et nyt batteri: Høres der lyd fra maskinens bindemekanisme, selvom den ikke anvendes?
- Afgiver maskinen varme, lugt eller usædvanlig lyd efter isætning af batteriet selvom den ikke anvendes?

Hvis maskinen starter af sig selv, eller hvis den afgiver varme, lugt eller usædvanlig lyd efter isætning af batteriet, kan der foreligge en funktionsfejl. Hvis du anvender bindemaskinen uden først at rette fejlen er der risiko for at skade maskinen. Anvend derfor ikke bindemaskinen uden først at kontakte forhandleren med henblik på eftersyn og eventuel reparation.

**Foretag ikke ændringer ved bindemaskinen.**

At ændre bindemaskinen nedsætter ikke blot funktionen, men også sikkerhedsniveauet. Foretag ingen ændringer ved bindemaskinen.

**Sørg for, at bindemaskinen er i god stand.**

For at opretholde den mest sikre funktion og det bedste resultat, bør du i god tid udskifte nedslidte eller beskadigede komponenter. Hold også håndtaget tørt og rent, og sørg frem for alt for, at det er frit for olie og fedt.

**Anvend kun godkendte batterier.**

Anvend derfor udelukkende godkendte 18V 4,0Ah Li-ion batterier af den type, som medfølger ved købet. Hvis du kobler bindemaskinen til en anden strømkilde som f.eks. genopladeligt batteri, tørcelebatteri eller et bilbatteri, kan maskinen gå i stykker, overophedes eller bryde i brand.

**Oplad batteriet før anvendelse.**

Et nyt batteri, eller et batteri, som ikke har været anvendt længe, kan være afladet og skal derfor fuldt genoplades. Sørg for, inden anvendelse, at batterierne oplades i laderen.

**Sikkerhedsforhold for batteriopladning, ladere og batterier**

**Anvend kun godkendte ladere.**

Anvend udelukkende laderen, som medfølger batterierne. Batteriet kan ikke oplades med andre ladere – dette kan medføre skade, overophedning eller brand.

**Oplad batteriet med den angivne netspænding.**

Sørg for, at du kobler opladeren til et almindeligt 100-240V AC udtag. At oplade med anden spænding end 100-240V AC giver funktionsfejl og/eller overophedning, og batteriet/laderen kan bryde i brand. Tilslut derfor ikke opladeren til udtag med anden spænding end 100-240V AC.

**Anvend aldrig transformator af boostertype.**

**Oplad ikke batteriet i vådt eller fugtigt miljø.**

Opladning af fugtigt eller vådt batteri eller opladning med fugtig lader kan give elektrisk stød eller forårsage kortslutning.

**Rør ikke stikket eller oplader med våd hånd eller handske.**

Du kan skades af elektrisk stød.

**Undgå at overdække eller placere ting på laderen under opladning.**

Laderen ophedes, og batteriet kan brænde og skades. Laderen kan bryde i brand.

**Sørg for, at batteri og oplader ikke kommer i nærheden af varme eller åben ild.**

**Oplad ikke batteriet i nærheden af letantændelige emner.**

**Oplad batteriet på et vel-ventileret sted.**

Undgå at oplade i direkte sol.

**Oplad batteriet ved temperatur mellem 5°C - +40°C.**

**Anvend ikke opladeren uden pauser.**

Hvis du anvender samme oplader uden pauser mellem opladningerne, vil den ikke fungere korrekt. Sørg for, at opladeren ikke anvendes i 15 minutter efter hver fuld opladning.

**Hold opladerens kontakter rene.**

Alle emner, som sidder på kontakterne kan give elektrisk stød eller funktionsfejl. Oplad på et sted, som er fri for støv, snavs og andre fremmedlegemer.

**Håndtør ledningen varsomt.**

Bær ikke laderen dinglende i ledningen. Træk ikke stikket ud ved at trække i ledningen uden at trække i stikket. I modsat fald kan ledningen ødelægges, og lederne trækkes løs, hvilket kan forårsage kortslutning. En beskadiget ledning skal repareres eller udskiftes.

**Sæt beskyttelseshætten på batterikontakterne.**

Sæt beskyttelseshætte over kontakterne for at forhindre kortslutning, når enheden ikke anvendes.

**Sørg for, at batterikontakterne ikke rører hinanden på nogen måde.**

En kortslutning mellem kontakterne skaber en meget stærk strøm, som overopheder batteriet, der skades.

## Anvendelse

### Isætning af bindetrådsrulle



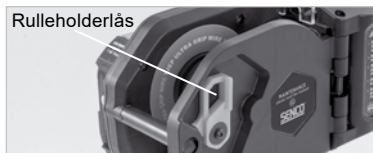
**ADVARSEL!** Sæt hovedafbryderen på OFF, lås aftrækkeren og fjern batterienheden.

1. Tryk på frigøreren og sørg for, at den stoppes af spærren.



2.

Aktivér rulleholderlåsen for at åbne rulleholderen.



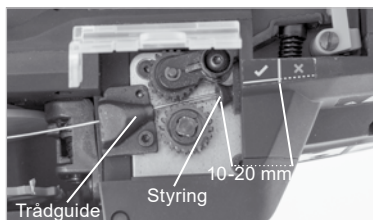
3. Sæt en bindetrådsrulle i holderen med tråddenden opad og fremad. Luk forsigtigt rulleholderen, og sørg for at rulleholderlåsen lukker ordentligt.



4. Frigør tråden og fjern elastikken



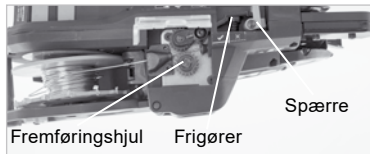
5. Før spidsen af den udstrakte bindetråd ind i trådguiden og derefter ind i styringen (10 - 20 mm).



Hvis vinduet er beskidt og tragtens position ikke kan bestemmes.

Åbn vinduet og fjern snavset på vinduets inderside med en blød klud. Luk vinduet igen, så der ikke kommer fremmedlegemer ind i maskinen.

6. Udløs spærren og tjek, at frigøreren er tilbage i sin oprindelige position, og at fremføringshjulene griber om bindetråden.



7. Sørg for at bindetråden er helt stram. Undgå at bindetråden sætter sig fast bag ved trådspolen. Dette kan medføre blokering.



**ADVARSEL!** Når du sætter hovedafbryderen på ON, må du ikke have fingrene i nærheden af hverken bindekærerne eller maskinens bevægelige dele! Undgå at skifte hurtigt mellem ON og OFF, da det kan få maskinen til at bryde sammen. Rør ikke ved bindetråden, mens maskinen kører.



8. Monter batteriet på maskinens fod. Tænd for maskinen



9. Frigør aftrækkerlåsen, inden du anvender maskinen



## 10. Justering af viklinger

Som udgangspunkt foretager maskinen 3 viklinger. For 2 viklinger gøres følgende: Sluk maskinen på hovedafbryderen. Aktiver og hold aftrækkeren inde, mens hovedafbryderen tændes. Maskinen kører nu 2 viklinger. Hvis maskinen afbrydes, vil den automatisk starte med 3 viklinger igen.



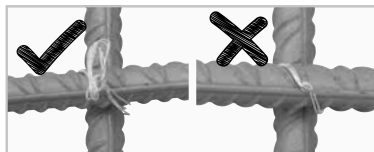
11. Justér tilspændingsmomentet. 1. ciffer viser aktuel indstilling for antal viklinger, der foretages (3 er standard) og 2. ciffer viser bindingernes tilspænding. Tilspændingsmomentet kan justeres højere ▲ eller lavere ▼ ved hjælp af trykknapperne.

Vi anbefaler:

- 2 viklinger = indstilling 1 - 5
- 3 viklinger = indstilling 6 - 9



12. Foretag en prøvebinding for at kontrollere, om tilspændingsmomentet er OK.



## For korrekt stramhed

1. Hold snablen i en vinkel på 45° mod armeringsjern- et i krydset, og tryk maskinen mod armeringsjern- et.

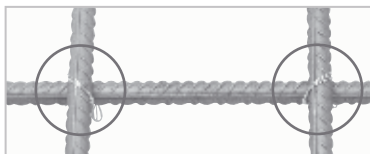


2. Placer maskinen vinkelret på overfladen af arme- ringsjern- et og med næbet centreret over krydset.



**ADVARSEL!** Bevæg ikke maskinen mens bindingen foretages.

3. Bindingerne bør foretages i skiftende retninger.



4. Krydsbinding.

Bøj enden af den første binding før du foretager den anden binding.



## Sådan udskiftes bindetråden



**ADVARSEL!** Sæt hovedafbryderen på OFF, lås aftrækkeren og fjern batteriet.



1. Tryk på frigøreren og sørg for, at den stoppes af spærren.

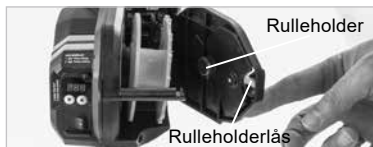


2. Fjern bindetråden.





3. Tryk på rulleholderlåsen for at udløse holderen, og fjern derefter bindetråden.



4. Monter ny bindetråd (se vejledningen i montering af bindetråd side 79).

#### 5. Batterisparefunktion

Maskinen slukker automatisk efter 10 min. stand-by uden anvendelse.

## Vedligeholdelse

1. Rengør og efterse maskinen med regelmæssige mellemrum.

2. Rengør jævnligt fremføringsmekanismen. Hvis maskinens ydelse skal forblive optimal, skal mekanismen omkring fremføringshjul og snabeldel jævnligt rengøres. Støv og metalrester kan f.eks. fjernes med en blæsepistol.



3. Rengør bremsemekanismen med trykluft og eftersmør med syrefri olie.



## Opbevaring

Maskinen må ikke opbevares koldt. Opbevar den ved stuetemperatur. Når maskinen ikke anvendes, skal den placeres varmt og tørt. Maskinen skal desuden opbevares uden for børns rækkevidde.

## Fejlsøgning / reparationer

Maskinen vil på et tidspunkt behøve service eller udskiftning af komponenter på grund af slitage ved normal anvendelse. Fejlsøgning og / eller reparationer må udelukkende foretages af autoriserede forhandlere eller behørig specialister.

Maskinen advarer om fejlfunktion ved bip-lyde. Følg da skemaet på side 82.



**ADVARSEL!** Hvis et af punkterne, fra skemaet (side 82) opstår, skal du sætte hovedafbryderen på OFF, inden du følger forslag til afhjælpning.

Når du sætter hovedafbryderen på ON, må du ikke røre bindetrådsmechanismen eller maskinens bevægelige dele. Hvis problemet består efter forslag til afhjælpning, sætter du hovedafbryderen på OFF og kontakter forhandleren.

Normal værktøjsfunktion	Fejlbeskrivelse	Lydsignal	Potentiel problem	Fejlsøgning	Mulig løsning
Tænd maskinen → Twister og klipper initialiseres automatisk	Ingen operation	Ingen	Batteriet er helt tomt.	Kontroller at batteriet er opladet.	Kontroller at batteriet er opladet.
		Bip, bip, bip....	Underkæben er åben. Bindetråden sidder fast omkring twisterkrogene.	Fjern batteriet og undersøg batteripolerne. Åbn/luk underkæben.	Polér batteripolerne. Luk underkæben helt.
		Bip-bip-bip-bip-bip....	Batteriet er helt tomt.	Kontroller at batteriet er opladet.	Oplad batteriet.
"Aktivér aftrækker → tråden føres frem"	Maskinen initialiserer ikke  Værktøjet fremfører ikke tråden	"7 bip. Bip-bip-bip-bip-bip-bip-bip- Bip-bip-bip-bip-bip-bip-bip- bip..."	Der er et fremmedlegeme mellem magnetpladen (Pos. 326) og print for twister (Pos. 325), eller der er dårlig forbindelse på stikforbindelserne "P" og/eller "M".	Kontroller om der er et fremmedlegeme mellem magnetpladen (Pos. 326) og print for twister (Pos. 325), eller der er dårlig forbindelse på stikforbindelserne "P" og/eller "M".	Fjern fremmedlegeme mellem magnetpladen (Pos. 326) og print for twister (Pos. 325), eller genetablér forbindelse på stikforbindelserne "P" og/eller "M".
		1 bip	Dårlig forbindelse på stikforbindelserne "A" og/eller "U" eller twister-motoren er brændt af.	Kontroller for dårlig forbindelse på stikforbindelserne "A" og/eller "U".	Genetablér forbindelse på stikforbindelse "A" og/eller "U", eller udskift twistermotor.
		2 bip Bip-bip, bip-bip....	Underkæben er åben.	Underkæben er åben.	Åbn/luk underkæben.
"Aktivér aftrækker → tråden føres frem"	Værktøjet fremfører ikke tråden	3 bip Bip-bip-bip, Bip-bip-bip....	Der er ikke mere tråd på trådrollen. Trådrollen er gået i kludder.	Kontroller om trådrollen er tom. Kontroller at rulle-bremser fungerer og stopper trådrollen.	Isæt ny trådrolle. Fjern den kludrede wire. Udskift evt. defekt rullebremse.
			Fremmedlegeme eller en løkke på tråden blokerer trådrøringsrør eller snabeldel	Kontroller for fremmedlegemer og løkker på tråden	Fjern fremmedlegemet med trykluft eller lignende. Klip løkken af og isæt tråden på ny.
			Dårlig stikforbindelse på fremførermotoren eller motoren er defekt.	Kontroller stikforbindelse og motor	Rens stikforbindelse. Udskift evt. fremførermotor.
	En trådstop har sat sig fast i klipperen eller næseplatten.		En trådstop har sat sig fast i klipperen eller næseplatten.	Kontroller for fastsiddende trådstopper.	Adskil klipperenheden og fjern trådstoppen.

Normal værktøjsfunktion	Fejlbeskrivelse	Lydssignal	Potentiel problem	Fejlsøgning	Mulig løsning
Tråden formes til en cirkel i næbet	Trådcirkel dannes ikke korrekt og tråden slukker ud af underkæben	Ingen	Tråden har ramt arbejdsområdet i forbindelse med fremføring.	Kontroller om tråden rammer arbejdsområdet i forbindelse med fremføring.	Undgå at tråden forhindres i at danne cirklen ved fremføring.
Tråden klippes	Tråden klippes ikke	Ingen	Klippersektion er blokeret af fremmedlegeme, eller klippekni-ven er slidt op.	Kontroller del for del, at alle dele af klipperenheden fungerer.	Rens klipperenheden med trykluft og udskift slidte dele om nødvendigt.
Tråden bindes til en knude	Tråden går i kludder	Ingen	Tråden har ramt armeringsjernet i forbindelse med fremføring.	Kontroller om tråden rammer armeringsjernet i forbindelse med fremføring.	Undgå at tråden forhindres i at danne cirklen ved fremføring.
		"7 bip. Bip-bip-bip-bip-bip-bip-bip- Bip-bip-bip-bip-bip-bip-bip- bip..."	Der er et fremmedlegeme mellem magnetbladen (Pos. 326) og print for twister (Pos. 325), eller der er dårlig forbindelse på stikforbindelserne "P" og/eller "M".	Kontroller om der er et fremmed-lemme mellem magnetbladen (Pos. 326) og print for twister (Pos. 325), eller der er dårlig forbindelse på stikforbindelserne "P" og/eller "M".	Fjern fremmedlegeme mellem magnetbladen (Pos. 326) og print for twister (Pos. 325), eller genetabler forbindelse på stikforbindelserne "P" og/eller "M".
			Tråd har sat sig fast omkring twisteren.	Kontroller om tråden har viklet sig ind i twisteren.	Fjern uønsket wire
		"4 bip. Bip-bip-bip-bip. Bip-bip- bip-bip..."	Dårlig forbindelse på stikforbindelserne "A" og/eller "U" eller twistermotoren er brændt af.	Kontroller for dårlig forbindelse på stikforbindelserne "A" og/eller "U"	Genetabler forbindelse på stikforbindelse "A" og/eller "U", eller udskift twistermotor.
	Bindingen er for løs	Ingen	Arbejdsområdet har ikke den specificerede størrelse.	Kontroller at emnet har korrekt størrelse i forhold til min/max emnediameter.	Anvend kun værktøjet til opgaver som er inden for den definerede min/max diameter.
	Knuden vrides over	Ingen	Værktøjet holdes for kort an mod emnet eller tilspændingsmomentet er indstillet for lavt.	Kontroller at værktøjet holdes korrekt jf. denne manual.	Indstil tilspændingsmomentet og kontroller at værktøjet holdes korrekt under binding.
			Arbejdsområdet har ikke den specificerede størrelse.	Kontroller at emnet har korrekt størrelse i forhold til min/max emnediameter.	Anvend kun værktøjet til opgaver som er inden for den definerede min/max diameter.
	Ingen fejl	Bip-bip-bip-bip-bip-bip..... "6 bip. Bip-bip-bip-bip-bip-bip. Bip- bip-bip-bip-bip-bip-bip..."	Værktøjet holdes for kort an mod emnet eller tilspændingsmomentet er indstillet for højt.	Kontroller at værktøjet holdes korrekt jf. denne manual.	Indstil tilspændingsmomentet og kontroller at værktøjet holdes korrekt under binding.
			Batteriet er næsten tomt.	Kontroller at batteriet er opladet.	Oplad batteriet.
			Værktøjet bruges i meget varme omgivelser	Kontroller temperaturen på arbejdsstedet	Klimatisér værktøj og batteri ved normal stuetemperatur i lidt tid, hvorefter arbejdet kan genoptages.

## Spis treści

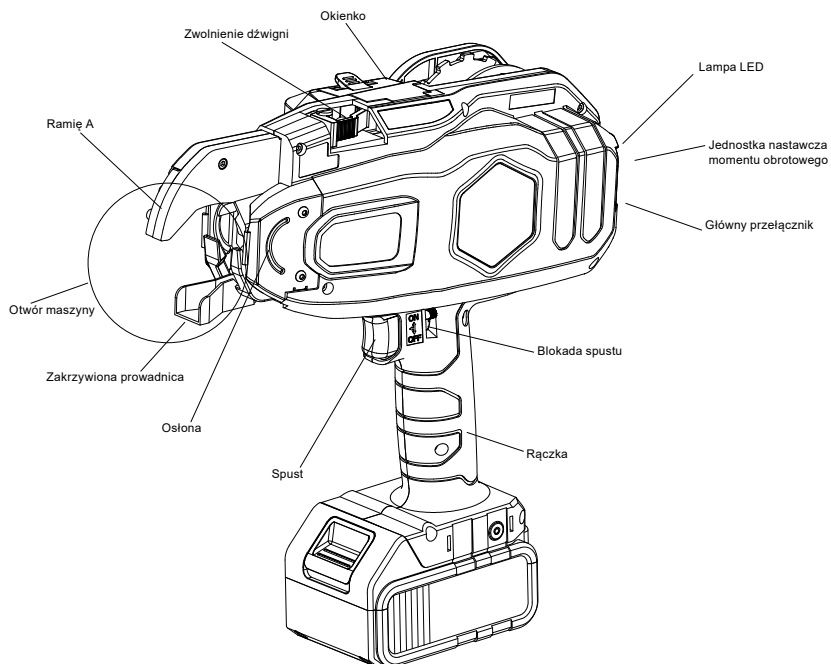
Specyfikacje i dane techniczne .....	84	Zakładanie drutu .....	89
Specyfikacja maszyny .....	86	Wymiana cewki .....	90
Specyfikacja przewodu .....	86	Prawidłowe użytkowanie .....	90
Funkcje bezpieczeństwa .....	86	Konserwacja .....	91
Bateria .....	86	Przechowywanie .....	91
Instrukcje bezpieczeństwa .....	87	Rozwiązywanie problemów/ naprawy .....	91
Środki ostrożności przy ładowaniu baterii oraz ładowarki i baterie .....	88	Rozwiązywanie problemów .....	92
Sposób korzystania z urządzenia .....	89	Deklaracja zgodności .....	94
		Ograniczona gwarancja .....	95

## Specyfikacje i dane techniczne

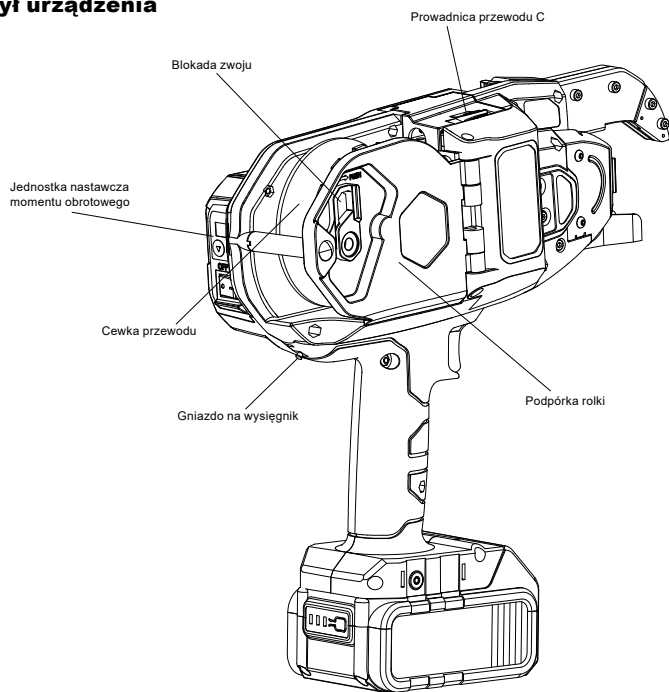


**Ostrzeżenie: Przed użyciem przeczytaj poniższą instrukcję obsługi. Instrukcję należy przechowywać razem z wiązarką do prętów zbrojeniowych.**

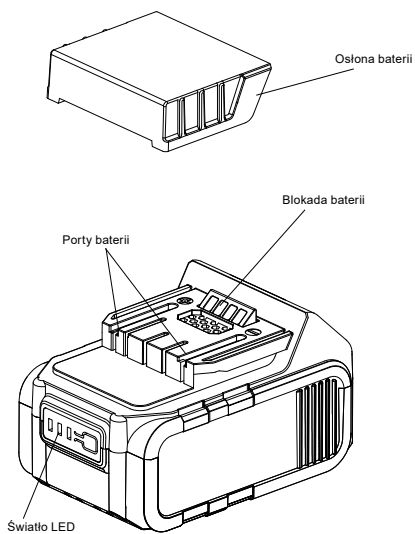
### Przód urządzenia



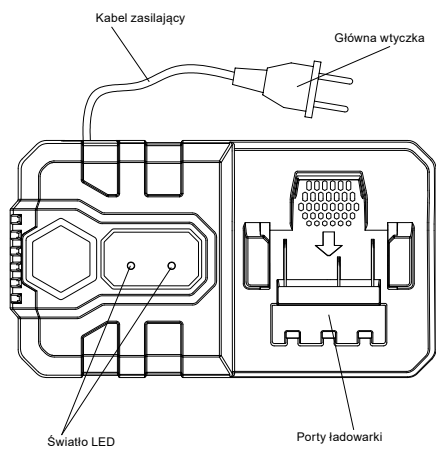
## Tył urządzenia



## Bateria



## Ladowarka



## Specyfikacja urządzenia

Informacje techniczne.	SRT25	SRT40	SRT58
Numer artykułu	9VS2003N	9VS2002N	9VS2004N
Waga	2.5 kg	2.6 kg	2.8 kg
Rozmiar (Di. x Szer. x Wys.)	281 × 109 × 300 mm	297 × 109 × 300 mm	312 × 109 × 310 mm
Ilość owinięć na wiązanie	2 lub 3	2 lub 3	2 lub 3
Grubość obrabianego przedmiotu	8 - 25 mm	12 - 40 mm	30 - 58 mm
Ilość wiązań na ładowanie	+5.000 (3 owinięcia)	+4.500 (3 owinięcia)	+4.000 (3 owinięcia)
Bateria	18V 4,0Ah Li-ion		
Ładowarka	Używaj tylko zatwierdzonej ładowarki		
Czas ładowania	Pełne ładowanie = 90 min		
Poziom ciśnienia akustycznego (Lpa) dB		68,1	
Poziom mocy akustycznej (Lwa) dB		79,1	
Poziom wibracji m/s <sup>2</sup>		1,5	

## Specyfikacja drutu

Model	Opakowanie: 20 cewek (08A20) Opakowanie: 40 cewek (08A40)		
Średnica	0.8 mm		
Długość	ok. 100 m		
Materiał	Galv.		
Ilość wiązań na cewkę	SRT25	SRT40	SRT58
2 owinięcia	ok. 220	ok. 160	ok. 120
3 owinięcia	ok. 160	ok. 120	ok. 90

### Zastosowania

Wiązanie prętów zbrojeniowych do: prefabrykatów, elementów betonowych, konstrukcji betonowych na budowie, podłóg i ścian. Wiązanie rur ogrzewania podłogowego.

### Funkcje bezpieczeństwa

Wiązarka do prętów zbrojeniowych jest wyposażona w funkcje bezpieczeństwa, aby zwiększyć bezpieczeństwo podczas użytkowania.

**OSTRZEŻENIE!** Przed użyciem upewnij się, że urządzenie działa zgodnie z przeznaczeniem. W przeciwnym razie nie używaj wiązarki do zbrojenia.



### Blokada spustu

Wiązarka prętów zbrojeniowych jest wyposażona w blokadę spustu. Zablokuj spust i wyjmij baterię, jeśli nie używasz wiązarki prętów zbrojeniowych.



Po rozpoczęciu wiązania zwolnij blokadę spustu, przesuwając blokadę w lewo i do góry.

### Prowadnica

Jeśli pociągniesz za spust, gdy prowadnica zwijania jest otwarta, wiązarka do prętów zbrojeniowych wyda dźwięk ostrzegawczy i odmówi zawiązania. Aby rozpocząć wiązanie, zwolnij spust i upewnij się, że prowadnica jest zamknięta.



### Bateria

#### Trwałość baterii

Jeśli bateria jest w pełni naładowana, ale czas pracy jest widocznie krótszy, oznacza to, że bateria jest uszkodzona i należy ją wymienić. Jeśli temperatura baterii jest niska (10 °C lub niższa), czas ładowania zostanie wydłużony.



**OSTRZEŻENIE!** Nie używaj uszkodzonych baterii. Wiązarka do zbrojenia nie będzie działać poprawnie

## Utylizacja baterii

Baterie zawierają substancje, które mogą być szkodliwe dla zdrowia ludzi i środowiska, jeśli nie są obsługiwane we właściwy sposób. Baterie są oznaczone symbolem przekreślonego kosza na śmieci. Oznacza to, że zużytych baterii nie wolno wyrzucać razem z nieposortowanymi odpadami, ale należy je wyrzucać oddzielnie.

Ważne jest, aby oddać zużyte baterie do wyznaczonych punktów zbiórki. W ten sposób wspierasz recykling baterii w sposób zgodny z przepisami, który nie powoduje niepotrzebnych szkód w środowisku. Lokalne władze zajmujące się odpadami mogą udzielić Ci informacji, jak prawidłowo zutylizować i poddać recyklingowi tego typu baterie.

## Instrukcje bezpieczeństwa



**OSTRZEŻENIE!** Przeczytaj uważnie niniejsze instrukcje bezpieczeństwa i upewnij się, że je rozumiesz dzięki temu unikniesz poważnych obrażeń osób lub mienia.

**Na co należy uważać podczas używania wiązarki do zbrojenia** Używanie wiązarki prętów zbrojeniowych do celów lub zastosowań innych niż opisane w tej instrukcji może spowodować poważne wypadki. Upewnij się, że postępujesz zgodnie ze wszystkimi instrukcjami zawartymi w instrukcji. Osoby, które nie mają nic do roboty w miejscu pracy, zwłaszcza dzieci, powinny przebywać poza miejscem pracy i nie powinny mieć dostępu do tego sprzętu.

**Używaj odpowiedniego sprzętu ochronnego.** Pracodawca i operator muszą upewnić się, że podczas używania narzędzia operator stosuje odpowiednią ochronę oczu. Ochrona ta musi być zgodna z obowiązującymi przepisami i normami. **UWAGA:** Okulary bez osłon bocznych oraz jednostronny ekran ochronny nie zapewniają odpowiedniej ochrony

**Nauszniki mogą być konieczne.** W wielu miejscach pracy konieczne może być noszenie nauszników, w celu uniknięcia trwałego uszkodzenia słuchu. Pracodawcy i pracownicy muszą upewnić się, że na miejscu pracy znajdują się odpowiednie nauszniki oraz są używane.

**Zakaz obecności dzieci w pobliżu wiązarki do zbrojenia** Nie pozwalaj osobom postronnym, a zwłaszcza dzieciom, przebywać w pobliżu maszyny podczas pracy z nią.

**Nie używaj wiązarki do prętów zbrojeniowych w pobliżu substancji łatwopalnych.** Nigdy nie używaj wiązarki do prętów zbrojeniowych w pobliżu łatwopalnych substancji lub oparów. Opary z nich mogą

zostać zassane do silnika i spowodować eksplozję.

## Nie używaj wiązarki do prętów zbrojeniowych w stanie mokrym lub w wilgotnym środowisku.

Jeśli wiązarka do prętów zbrojeniowych jest używana w bezpośrednim deszczu, w wodzie, w wilgotnym środowisku itp., zwiększa się ryzyko porażenia prądem elektrycznym. Nie pozostawiaj wiązarki do prętów zbrojeniowych w miejscach, w których urządzenie może być narażone na powyższe warunki.

## Sprawdź wcześniej części wiązarki do prętów zbrojeniowych przed włożeniem baterii.

Sprawdź, czy wszystkie śruby są dobrze dokręcone. Niewłaściwe dokręcenie śrub może spowodować wypadek lub pęknięcie. Upewnij się, że wszystkie części są nienaruszone. Z czasem części ulegną zużyciu. Sprawdź również, czy żadne części nie są uszkodzone, wadliwe lub zużyte. W przypadku braku części lub konieczności naprawy należy natychmiast skontaktować się ze sprzedawcą. Używaj tylko części zatwierdzonych przez producenta.

**Ustaw wyłącznik główny w pozycji WYŁ. i zablokuj spust podczas wymiany baterii lub zmiany/regulacji przewodu. Wyjmij baterię, jeśli wystąpi błąd i urządzenie nie będzie nadawało się do użytku.** Pozostawienie maszyny włączonej może spowodować uszkodzenia.

**Podczas używania wiązarki do prętów zbrojeniowych trzymaj się z dala od przodu narzędzia, podających kół zębatych oraz przewodu.** NIE trzymaj palców w pobliżu przodu narzędzia lub innych ruchomych części, ponieważ drut i ruchome części mogą łatwo spowodować uszkodzenie.

**Trzymaj się z dala od otworu maszyny podczas używania wiązarki do prętów zbrojeniowych.** Nie dotykaj drutu ani otworu maszyny podczas wiązania. Możesz zaplątać się w drucianą pętlę i doznać poważnych obrażeń

## Nie kieruj wiązarki do prętów zbrojeniowych w kierunku innych osób podczas użytkowania.

Ludzie mogą zostać zranieni, jeśli zostaną złapani przez maszynę podczas jej używania. Podczas wiązania zachowaj ostrożność i trzymaj się z dala od ruchomych części.

## Nie dotykaj spustu, chyba że jest to konieczne.

Podczas przenoszenia wiązarki do prętów zbrojeniowych oraz gdy nie jest używana do wiązania, należy pamiętać o ustawieniu wyłącznika głównego w pozycji WYŁ. i zablokowaniu spustu. W przeciwnym razie ryzykujesz niezamierzone uruchomienie wiązarki do prętów zbrojeniowych i możliwości powstania niebezpiecznej sytuacji

### **Nie używaj wiazarki do prętów zbrojeniowych podczas awarii.**

Jeśli wiazarka do prętów zbrojeniowych nie działa prawidłowo, ustaw wyłącznik główny w pozycji WYŁ, zablokuj spust i wyjmij baterię przed sprawdzeniem, co jest nie tak. W razie potrzeby skontaktuj się ze sprzedawcą i zleć naprawę wiazarki prętów zbrojeniowych.

### **Podczas wkładania baterii sprawdź następujące punkty. Nie wkładaj drutu do wiazarki prętów zbrojeniowych, jeśli:**

- Prowadnica wydaje jakikolwiek dźwięk, mimo że wiazarka do prętów zbrojeniowych nie jest używana.
- Wiazarka do prętów zbrojeniowych jest cieplejsza niż zwykle, dziwnie pachnie lub wydaje dźwięki (hałasuje), gdy nie jest używana.

Jeśli wystąpi jeden z wyżej wymienionych punktów i mimo to będziesz nadal używać wiazarki do prętów zbrojeniowych bez naprawy wady, może to spowodować uszkodzenie maszyny. Jeśli nie można naprawić wady, skontaktuj się ze sprzedawcą.

**Nie wprowadzaj żadnych modyfikacji w wiazarce do prętów zbrojeniowych.** Modyfikacja wiazarki do prętów zbrojeniowych nie tylko zmniejsza jej funkcję, ale także poziom bezpieczeństwa. Nie wprowadzaj żadnych modyfikacji w wiazarce do prętów zbrojeniowych.

**Upewnij się, że wiazarka do prętów zbrojeniowych jest w dobrym stanie.** Aby zachować funkcjonalność i jakość pracy wiazarki do prętów zbrojeniowych, należy je odpowiednio konserwować i regularnie serwisować. Pamiętaj, aby uchwyt nie był brudny lub nie posiadał oleju na swojej powierzchni.

**Używaj tylko zatwierdzonych baterii.** Do wiazarki do prętów zbrojeniowych używaj tylko zatwierdzonych baterii typu litowo-jonowego 18 V 4,0 Ah. Korzystanie z innego źródła zasilania, na przykład innego typu baterii, baterii z suchymi ogniwami lub baterii samochodowej, może spowodować zepsucie lub zapalenie się urządzenia,

### **Przed użyciem naładuj baterie.**

Nowa bateria lub bateria, która nie była używana przez długi czas, może być rozładowana dlatego przed użyciem musi zostać całkowicie naładowana.

### **Środki ostrożności przy ładowaniu baterii oraz ładowarki i baterie**

**Używaj tylko uprzednio zatwierdzonej ładowarki.** Używaj tylko zatwierdzonej ładowarki dostarczonej z wiazarką do prętów zbrojeniowych i bateriami. Baterii nie można ładować innymi ładowarkami - może to spowodować uszkodzenie, przegrzanie lub pożar.

**Ładuj baterie odpowiednim napięciem.** Upewnij się, że ładowarka jest podłączona do zwykłego źródła zasilania z prądem przemiennym 100-240 V. Nie podłączaj ładowarki do źródła zasilania o innym napięciu niż 100-240 V (prąd zmienny). Użycie innego napięcia niż 100-240 V (prąd zmienny) spowoduje awarię i/lub przegrzanie, prowadzącą do uszkodzenia baterii i ładowarki.

**Nigdy nie używaj wzmacniającego transformatora.**

**Nigdy nie ładuj baterii w wilgotnym lub mokrym otoczeniu.** Ładowanie mokrej lub wilgotnej baterii lub używanie wilgotnej ładowarki może spowodować porażenie prądem lub zwarcie..

**Nie dotykaj wtyczki ani ładowarki mokrymi rękami ani rękawiczkami.** Grozi to porażeniem elektrycznym.

**Podczas używania nie kładź niczego na ładowarce ani jej nie przykrywaj.** Ładowarka może się przegrzać i ostatecznie zapalić.

**Nie umieszczaj ładowarki ani baterii obok źródła ciepła lub otwartego ognia.**

**Nie umieszczaj baterii w pobliżu przedmiotów łatwopalnych.**

**Ładuj baterię w dobrze wentylowanym miejscu.** Unikaj umieszczania go w bezpośrednim świetle słonecznym.

**Ładuj baterię w temperaturze od +5° do +40° Celsjusza.**

**Pozostaw ładowarkę w spoczynku pomiędzy ładowaniami.**

**Utrzymuj złącza ładowarki w czystości.** Wszystkie przedmioty na złączach mogą spowodować porażenie prądem lub awarię. Używaj ładowarki w środowisku wolnym od kurzu i brudu

**Ostrożnie obchodź się z przewodem ładowarki.** Nie przenoś podłączonej ładowarki i nie odłączaj jej, ciągnąc za przewód. Może to spowodować uszkodzenie przewodu i awarię. Uszkodzony przewód należy wymienić lub naprawić.

**Jeśli bateria nie jest używana, nałóż pokrywę baterii na zaciski.** Należy to zrobić, aby zapobiec zwarciu baterii.

**Upewnij się, że bieguny baterii nie stykają się ze sobą.** Zwarcie między zaciskami spowoduje przegrzanie i uszkodzenie baterii.



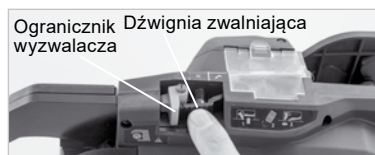
## Sposób użycia

### Zakładanie drutu.

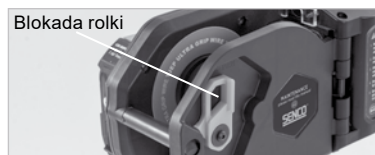


**OSTRZEŻENIE!** Ustaw wyłącznik główny w pozycji WYŁ., włącz blokadę spustu i wyjmij baterię.

1. Naciśnij dźwignię zwalnającą, aż zostanie zablokowana przez ogranicznik zwalnający.



2. Naciśnij ogranicznik rolki, aby otworzyć podpórkę rolki



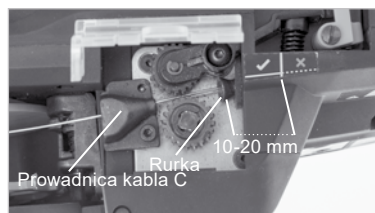
3. Włóż cewkę z drutem skierowaną końcem drutu do góry i do przodu. Ostrożnie zamknij podpórkę rolki i zabezpiecz blokadę rolki.



4. Zwolnij drut, a następnie zdejmij gumkę.

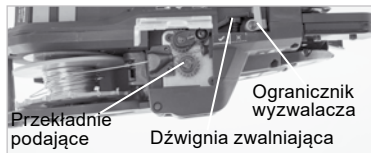


5. Włóż końcówkę drutu do przewodnicy drutu C, przez szczelinę mechanizmu podającego przez całą długość do rury. (10 - 20 mm)



**Jeżeli okienko jest brudne i trudno jest określić położenie przewodnicy drutu C.** Wyczyść wnętrze okienka miękką szmatką. Ponownie zamknij okienko, aby zapobiec przedostaniu się ciał obcych do urządzenia.

6. Naciśnij ogranicznik wyzwalacza i upewnij się, że dźwignia zwalnająca jest z powrotem w pierwotnym położeniu, a przekładnie podające zaciskają drut



7. Upewnij się, że drut jest napięty i mocny. Zapobiegaj zwijaniu się drutu o cewkę. Może to spowodować zacięcie.



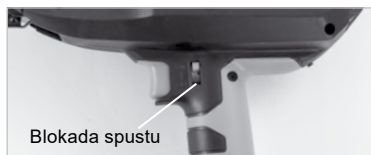
**OSTRZEŻENIE!** Nie należy zbliżać palców do otworu maszyny lub innych ruchomych części maszyny, kiedy wyłącznik główny jest ustawiony w pozycji WŁ.! Unikaj wielokrotnego przełączania głównego wyłącznika między WŁ i WYŁ. Może to spowodować awarię maszyny. Nie dotykaj drutu podczas pracy maszyny.



8. Włóż baterię i ustaw wyłącznik główny na WŁ.



9. Zwolnij blokadę spustu, zanim zaczniesz wiązać elementy.



## 10. Regulacja owinięć

Domyślnie maszyna jest ustawiona na 3 owinięcia. Zmiana ustawienia na 2 owinięcia: Wyłącz maszynę głównym włącznikiem. Naciśnij i przytrzymaj spust podczas włączania głównego wyłącznika. Maszyna jest teraz ustawiona na 2 owinięcia na wiązanie. Jeśli maszyna zostanie wyłączona, automatycznie zostanie ponownie ustawiona na 3 owinięcia.



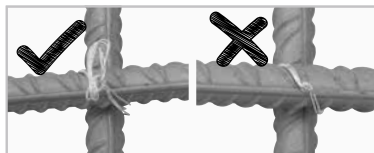
11. Jednostka nastawcza momentu obrotowego reguluje napięcie owinięć. cyfra 1. wyświetla ustawienie owijania (3 to ustawienie domyślne), a cyfra 2. wyświetla ustawienie momentu obrotowego. Moment obrotowy można regulować w górę ▲ lub w dół ▼ za pomocą przycisków.

Zalecamy:

- 2 owinięcia = pozycja 1-5
- 3 owinięcia = pozycja 6-9

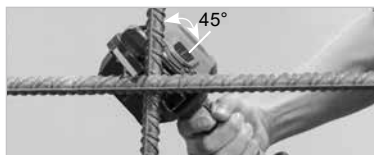


12. Wykonaj próbne zawijanie, aby sprawdzić, czy moment obrotowy jest ustawiony prawidłowo.



## Prawidłowe korzystanie z narzędzia

1. Umieść ramię A pod kątem 45° nad poprzeczną powierzchnią pręta zbrojeniowego i popchnij przód narzędzia w kierunku pręta zbrojeniowego.

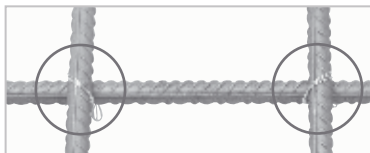


2. Umieść ramię A prostopadłe, na górnej powierzchni poprzecznej pręta zbrojeniowego, z kleszczami wyśrodkowanymi nad krzyżem.



**OSTRZEŻENIE!** Nie przesuwaj wiązarki do prętów zbrojeniowych podczas wiązania.

3. Wiązania należy wykonywać w naprzemiennych kierunkach.



4. Wiązanie krzyżowe. Zegnij węzeł pierwszego wiązania, zanim wykonasz drugi.



## Jak wymienić cewkę z drutem.



**OSTRZEŻENIE!** Ustaw wyłącznik główny w pozycji WYŁ., włącz blokadę spustu i wyjmij baterię.



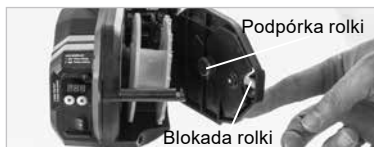
1. Naciśnij dźwignię zwalniającą, aż zostanie zablokowana przez ogranicznik wyzwalacza.



2. Usuń cewkę z drutem



3. Naciśnij blokadę rolki, aby zwolnić podpórkę rolki i jednocześnie ją otworzyć, a następnie wyjmij cewkę z drutem



4. Włóż nowy drut (patrz instrukcje dotyczące wkładania drutu na stronie 9)

5. Funkcja oszczędzania baterii. Maszyna wyłączy się automatycznie po 10 minutach bezczynności

## Konserwacja

1. Regularnie czyść i sprawdzaj wiązkę do prętów zbrojeniowych.

2. Regularnie czyść mechanizm podający i otaczające go obszary, aby uniknąć przedostania się kurzu i pozostałości metalu do urządzenia i spowodowania problemów. Można to zrobić za pomocą pistoletu pneumatycznego.



3. Oczyść przekładnię hamulcową sprężonym powietrzem i nałóż niekwasowy olej.



## Przechowywanie

Wiązarki do prętów zbrojeniowych nie wolno przechowywać w niskich temperaturach. Narzędzie powinno być przechowywane w ok. 20 °C. Gdy maszyna nie jest używana, powinna być przechowywana w ciepłym i suchym miejscu. Trzymaj maszynę poza zasięgiem dzieci.

## Rozwiązywanie problemów/ naprawy

Wiązarka do prętów zbrojeniowych ostatecznie będzie wymagała serwisu i wymiany zużytych części z powodu normalnego zużycia. Usterki i/lub naprawy mogą być wykonywane wyłącznie przez autoryzowanych sprzedawców lub specjalistów.

Wiązarka do prętów zbrojeniowych ostrzega o usterekach za pomocą sygnałów dźwiękowych. Postępuj zgodnie z tabelą na stronie 12, aby dowiedzieć się, o możliwych usterekach urządzenia.

**OSTRZEŻENIE!** Jeśli wystąpi jeden z problemów wymienionych na stronie 12, należy ustawić wyłącznik główny w pozycji WYŁ. przed przystąpieniem do rozwiązywania problemu.

Nie należy umieszczać palców w pobliżu przewodnicy ani innych ruchomych części maszyny gdy wyłącznik główny jest ustawiony w pozycji WŁ. Jeśli problem nadal występuje, ustaw wyłącznik główny w pozycji WYŁ. i skontaktuj się ze sprzedawcą



Normalna praca narzędzia	Problem	Ostrzeżenie dźwiękowe	Powód	Co należy sprawdzić	Rozwiązanie
Wiązany drut tworzy okrąg	Cur jest nieporządkowany i wychodzi z prowadnicy loków.	Brak dźwięku	Drut, uderzając w przewy zbrojeniowe, został odparty.	Sprawdź, czy drut uderza w przewy zbrojeniowe podczas wiązania.	Uważaj, aby drut nie uderzał w przewy zbrojeniowe podczas wiązania.
Drut podlega cięciu	Drut nie podlega cięciu	Brak dźwięku	Część tnąca jest zablokowana przez obca substancja lub noż tnący jest zużyty.	Sprawdź, czy wszystkie części sekcji tnącej działają.	Oczyść części tnące sprężonym powietrzem i jeśli jest to konieczne wymień zużyte części.
Następuje skręcanie drutu	Drut jest zaplątany	Brak dźwięku	Drut, uderzając w przewy zbrojeniowe, został odparty.	Sprawdź, czy drut uderza w przewy zbrojeniowe podczas wiązania.	Uważaj, aby drut nie uderzał w przewy zbrojeniowe podczas wiązania.
		7 beeps. Pi-pi-pi-pi-pi-pi, Pi-pi-pi-pi-pi-pi-..."	Między płytą magnetyczną (poz. 326) a zespołem części PWB (poz. 325) znajduje się obca substancja. Lub wystąpiło złe połączenie przewodu połączeniowego „P” i/lub „M”.	Sprawdź, czy między płytka magnetyczną (poz. 326) a modulem PWB (poz. 325) nie znajduje się obca substancja. Lub sprawdź połączenie przewodów „P” i/lub „M”.	Usuń obca substancja znajdującą się między płytka magnetyczną (poz. 326) a modulem PWB (poz. 325). Lub wymień przewód łączący „P” i/lub „M” na nowy.
		4 beeps Pi-pi-pi-pi, Pi-pi-pi-pi-..."	Złe połączenie przewodu połączeniowego „A” i/lub „U”. Lub motor skręcający jest spalony.	Sprawdź połączenie przewodów „A” i/lub „U”.	Podłącz lub wymień przewód „A” i/lub „U”. Lub wymień motor skręcający na nowy.
	Siła wiązania jest słaba	Brak dźwięku	Pręty zbrojeniowe nie mają określonego rozmiaru.	Potwierdź rozmiar prętów zbrojenowych do wiązania.	Użyj odpowiedniego zakresu średnicy.
			Narzędzie nie jest prawidłowo dociśnięte do przedmiotu obrabianego lub jednostka nastawcza momentu obrotowego nie została prawidłowo wyregulowana.	Sprawdź, jak trzymać narzędzie przy obrabianym przedmiocie.	Ustaw moment obrotowy na wyższy poziom i używaj narzędzie w prawidłowy sposób.
	Następuje odkręcenie się elementu	Brak dźwięku	Pręty zbrojeniowe nie mają określonego rozmiaru.	Potwierdź rozmiar prętów zbrojenowych do wiązania.	Użyj odpowiedniego zakresu średnicy.
	Brak błędu	Pi-pi-pi-pi-pi-..."	Błędne obchodzenie się ze sprzętem, np. nieprawidłowe zastosowanie maszyny.	Potwierdź, jak stosować maszynę do wzmocnień prętów zbrojenowych	Ustaw moment obrotowy na niższy poziom i wióz w kierunku pionowym, korzystaj przy kącie pochylenia wynoszącym 45 °.
		6 beeps Pi-pi-pi-pi-pi-pi, Pi-pi-pi-pi-pi-pi-..."	Niski poziom energii w baterii	Sprawdź, czy bateria jest w pełni naładowana.	Normalnie załaduj urządzenie
			Narzędzie jest używane w wysokiej temperaturze.	Sprawdź temperaturę w miejscu pracy.	Pozostaw narzędzie i baterię w pomieszczeniu o normalnej temperaturze na jakiś czas, a następnie kontynuuj pracę.

DECLARATION OF CONFORMITY	KONFORMITÄTSERKLÄRUNG	CONFORMITEITSVERKLARING
<p>We KYOCERA SENC0 Netherlands B.V. of Pascallaan 88 8218 NJ Lelystad, The Netherlands in accordance with the following directive(s): <b>2006/42/EC, 2014/30/EU, 2000/14/EC, 2011/65/EU</b> declare under our sole responsibility that Model(s):</p> <p><b>SENC0 SRT25, SENC0 SRT40</b></p> <p>is in conformity with the applicable essential health and safety requirements of the following documents:</p> <p><b>EN 60745-1:2009/A11:2010, EN ISO 12100:2010 EN ISO 12100:2010, EN 55014-1:2017 EN 55014-2:2015, EN 50581:2012</b></p> <p>Signed by: Fred van Gerven Position: Technical Manager Place of DOC: KYOCERA SENC0 Netherlands B.V. Pascallaan 88 8218 NJ Lelystad, The Netherlands On Date: July 19, 2019</p>	<p>Wir KYOCERA SENC0 Netherlands B.V. von Pascallaan 88 8218 NJ Lelystad, The Netherlands in Übereinstimmung mit den folgenden Richtlinien: <b>2006/42/EC, 2014/30/EU, 2000/14/EC, 2011/65/EU</b> erklären in alleiniger Verantwortung, dass: Modell/Modelle:</p> <p><b>SENC0 SRT25, SENC0 SRT40</b></p> <p>den geltenden Gesundheits- und Sicherheitsanforderungen entspricht, so wie sie in den folgenden Dokumenten festgehalten werden:</p> <p><b>EN 60745-1:2009/A11:2010, EN ISO 12100:2010 EN ISO 12100:2010, EN 55014-1:2017 EN 55014-2:2015, EN 50581:2012</b></p> <p>Unterschieden von: Fred van Gerven Position: Technischer Manager Ort der Erklärung: KYOCERA SENC0 Netherlands B.V. Pascallaan 88 8218 NJ Lelystad, The Netherlands Ursprüngliche Herausgabe: 19. Juli 2019</p>	<p>Wij KYOCERA SENC0 Netherlands B.V. uit Pascallaan 88 8218 NJ Lelystad, The Netherlands in overeenstemming met de volgende richtlijn(en): <b>2006/42/EC, 2014/30/EU, 2000/14/EC, 2011/65/EU</b> verklaren onder onze eigen verantwoording dat Model(en):</p> <p><b>SENC0 SRT25, SENC0 SRT40</b></p> <p>in overeenstemming is met de toepasselijke essentiële gezondheids-en veiligheids-eisen van de volgende documenten:</p> <p><b>EN 60745-1:2009/A11:2010, EN ISO 12100:2010 EN ISO 12100:2010, EN 55014-1:2017 EN 55014-2:2015, EN 50581:2012</b></p> <p>Ondertekend door: Fred van Gerven Functie: Technisch manager Locatie van doc.: KYOCERA SENC0 Netherlands B.V. Pascallaan 88 8218 NJ Lelystad, The Netherlands Originele uitgave: 19 Juli 2019</p>

YHDENMUKAISUUSVAKUUTUS	ERKLÄRUNG OM SAMSVAR	FÖRSÄKRAN OM ÖVERENSSTÄMMELSE	ÖVERENSSTÄMMELSER DEKLARATIONEN
<p>Mie KYOCERA SENC0 Netherlands B.V. osolteesta Pascallaan 88 8218 NJ Lelystad, The Netherlands seuraavien direktivien mukaisesti: <b>2006/42/EC, 2014/30/EU, 2000/14/EC,</b> julistamme yksinomaista vastuullamme, että: Modeli(t):</p> <p><b>SENC0 SRT25, SENC0 SRT40</b></p> <p>on seuraavien asiakirjojen soveltuvin olosuhtein täysin vastaavien vaatimusten mukainen:</p> <p><b>EN 60745-1:2009/A11:2010, EN ISO 12100:2010, EN 55014-1:2017 EN 55014-2:2015, EN 50581:2012</b></p> <p>Allekirjoitus: Fred van Gerven Asema: Tekninen päällikkö Antopaikka: KYOCERA SENC0 Netherlands B.V. Pascallaan 88 8218 NJ Lelystad, The Netherlands Alkuperäiskäyttö: 19 Heinäkkuu 2019</p>	<p>Vi, KYOCERA SENC0 Netherlands B.V. med adresse Pascallaan 88 8218 NJ Lelystad, The Netherlands erklærer i henhold til følgende direktiv(er): <b>2006/42/EC, 2014/30/EU, 2000/14/EC, 2011/65/EU</b> under vårt eneansvar at Model(er):</p> <p><b>SENC0 SRT25, SENC0 SRT40</b></p> <p>er laget i henhold til gjeldende grunnleggende bestemmelser for helse og sikkerhet i følgende dokumenter:</p> <p><b>EN 60745-1:2009/A11:2010, EN ISO 12100:2010 EN ISO 12100:2010, EN 55014-1:2017 EN 55014-2:2015, EN 50581:2012</b></p> <p>Underskrevet av: Fred van Gerven Stilling: Teknisk sjef Dokumentets sted: KYOCERA SENC0 Netherlands B.V. Pascallaan 88 8218 NJ Lelystad, The Netherlands Opprinnelig utstedt: 19 Juli 2019</p>	<p>Vi, KYOCERA SENC0 Netherlands B.V. med adress Pascallaan 88 8218 NJ Lelystad, The Netherlands förklarar i enlighet med följande direktiv: <b>2006/42/EC, 2014/30/EU, 2000/14/EC, 2011/65/EU</b> och under vårt eget ansvar att: Modell(er):</p> <p><b>SENC0 SRT25, SENC0 SRT40</b></p> <p>uppfyller gällande hälso- och säkerhetsföreskrifter angivna i följande dokument:</p> <p><b>EN 60745-1:2009/A11:2010, EN ISO 12100:2010 EN ISO 12100:2010, EN 55014-1:2017 EN 55014-2:2015, EN 50581:2012</b></p> <p>Undertecknat av: Fred van Gerven Position: Teknisk chef Plats för konformitetsbekräftelsen: KYOCERA SENC0 Pascallaan 88 8218 NJ Lelystad, The Netherlands Originalt utställt: 19 Juli 2019</p>	<p>vi KYOCERA SENC0 Netherlands B.V. på Pascallaan 88 8218 NJ Lelystad, The Netherlands i överensstemmelse med följande direktiv(er): <b>2006/42/EC, 2014/30/EU, 2000/14/EC, 2011/65/EU</b> erklærer under eget ansvar, at Model(er):</p> <p><b>SENC0 SRT25, SENC0 SRT40</b></p> <p>er i overensstemmelse med de gjeldende, obligatoriske sundheds- og sikkerhedskrav i følgende dokumenter:</p> <p><b>EN 60745-1:2009/A11:2010, EN ISO 12100:2010 EN ISO 12100:2010, EN 55014-1:2017 EN 55014-2:2015, EN 50581:2012</b></p> <p>Underskrevet af: Fred van Gerven Stilling: Teknisk leder Stedet for DOC: KYOCERA SENC0 Netherlands B.V. Pascallaan 88 8218 NJ Lelystad, The Netherlands Original udgave: 19 Juli, 2019</p>

DECLARATION DE CONFORMITE	DECLARACION DE CONFORMIDAD	DICHIARAZIONE DI CONFORMITA	DEKLARACJA ZGODNOSCI
<p>Nous, KYOCERA SENC0 Netherlands B.V. sis au Pascallaan 88 Cincinnati, Ohio 45245 conformément à la (aux) directive(s) suivante(s) : <b>2006/42/EC, 2014/30/EU, 2000/14/EC,</b> déclarons, en vertu de notre responsabilité Modelle(s) :</p> <p><b>SENC0 SRT25, SENC0 SRT40</b></p> <p>est conforme aux exigences essentielles applicables en matière de santé et de sécurité, telles que stipulées dans les documents ci-dessous :</p> <p><b>EN 60745-1:2009/A11:2010, EN ISO 12100:2010, EN 55014-1:2017 EN 55014-2:2015, EN 50581:2012</b></p> <p>Signé par : Fred van Gerven Poste : Directeur technique Lieu du document: KYOCERA SENC0 Netherlands B.V. Pascallaan 88 8218 NJ Lelystad, The Netherlands Version initiale: 19 Juillet 2019</p>	<p>Nosotros, KYOCERA SENC0 Netherlands B.V. dirección legal Pascallaan 88 Cincinnati, Ohio 45245 y de acuerdo con la(s) directiv(a)s siguiente(s): <b>2006/42/EC, 2014/30/EU, 2000/14/EC, 2011/65/EU</b> declaramos bajo nuestra entera responsabilidad que: Modelo(s):</p> <p><b>SENC0 SRT25, SENC0 SRT40</b></p> <p>se ajusta a los requisitos esenciales de salud y seguridad establecidos en los documentos siguientes:</p> <p><b>EN 60745-1:2009/A11:2010, EN ISO 12100:2010 EN ISO 12100:2010, EN 55014-1:2017 EN 55014-2:2015, EN 50581:2012</b></p> <p>Firmada por: Fred van Gerven Cargo: Gerente técnico Procedencia de los documentos: KYOCERA SENC0 Netherlands B.V. Pascallaan 88 8218 NJ Lelystad, The Netherlands Emisión original: 19 de Julio 2019</p>	<p>La società KYOCERA SENC0 Netherlands B.V. indirizzo Pascallaan 88 Cincinnati, Ohio 45245 conformemente alle seguenti direttive: <b>2006/42/EC, 2014/30/EU, 2000/14/EC, 2011/65/EU</b> dichiara sotto la propria esclusiva responsabilità che: Modelli:</p> <p><b>SENC0 SRT25, SENC0 SRT40</b></p> <p>è conforme ai requisiti essenziali di salute e sicurezza previsti dai seguenti documenti:</p> <p><b>EN 60745-1:2009/A11:2010, EN ISO 12100:2010 EN ISO 12100:2010, EN 55014-1:2017 EN 55014-2:2015, EN 50581:2012</b></p> <p>Firmato: Fred van Gerven Posizione: Direttore tecnico Luogo di emissione: KYOCERA SENC0 Netherlands B.V. Pascallaan 88 8218 NJ Lelystad, The Netherlands Edizione originale: 19 Luglio 2019</p>	<p>My KYOCERA SENC0 Netherlands B.V. Z siedzibą w Pascallaan 88 Cincinnati, Ohio 45245 w zgodzie z następującymi mi dyrektywami: <b>2006/42/EC, 2014/30/EU, 2000/14/EC, 2011/65/EU</b> deklarujemy z pełną odpowiedzialnością, że Wyposażenie:</p> <p><b>SENC0 SRT25, SENC0 SRT40</b></p> <p>sa zgodne z normami bezpieczeństwa z zawarty mi w następujących dokumentach:</p> <p><b>EN 60745-1:2009/A11:2010, EN ISO 12100:2010 EN ISO 12100:2010, EN 55014-1:2017 EN 55014-2:2015, EN 50581:2012</b></p> <p>Podpisano: Fred van Gerven Stanowisko: Menedżer techniczny Polożenie dokumentu: KYOCERA SENC0 Netherlands B.V. Pascallaan 88 8218 NJ Lelystad, The Netherlands Data: 19 lipiec 2019</p>

## 1. Senco Professional End User Warranty Policy

Considering the following constraints Senco underwrites the reliability and the quality of its supplied authorised Senco branded products.

- 1.1 Senco warrants to the end user that the following products will be free from defects in construction, assembly and material for the warranty period specified below.

Product	Warranty period
Senco ® XP Series-Red Cap, pneumatic tools	Five years
Senco ® XP Series-Black Cap, pneumatic tools	Two years
Senco Pro Series, pneumatic tools	One year
Senco Semi-Pro Series, pneumatic tools	One year
Senco DuraSpin ® Series, electric and battery tools	One year
Senco Cordless battery tools	Two years
Senco batteries and chargers for tools	One year
Senco gas tools	Two years
Senco Reconditioned Products	One year
Senco other tools	One year
Senco Compressors	One year

- 1.2 The warranty period starts on the day the end user purchases the product and/or 1 year after the tool has been deleted from the product line, which ever date comes first.

- 1.3 To claim warranty the end user needs to send the defective products or their parts, including the serial number and the original and dated sales receipt or proof of purchase from the original retailer or dealer, freight prepaid to the original retailer or dealer.

- 1.4 Senco is not obliged to do any repairs or replacements on any products or their parts on site.

- 1.5 During the warranty period Senco or its distributors will repair or replace defective products or their parts, exclusively or mainly as a result of an imperfection in construction, assembly or material, at Senco's option and expense, subject to the constraints of this warranty policy.

- 1.6 The repair or replacement of products or their parts under warranty, does in no case lead to prolongation of the warranty period. For every replacement product or part, the remaining original warranty period of the replaced product or part is applicable.

- 1.7 Senco will become the owner of the products or parts that have been replaced by Senco or its distributors as a result of being compliant to Senco's warranty, without being obligated any compensation in this matter.

- 1.8 Excluded from the warranty are:

- normal wear and tear parts, for example rubber o-rings, seals, driver blades, piston stops, piston/driver assemblies, isolators, drive belts, air filters and fuel systems, bits;
- any imperfection that is a result of or has evolved from the fact that there has not been used clean, dry regulated compressed air and/or the air pressure applied has exceeded the maximum indicated on the tool casting (pneumatic tools);
- any imperfection that is a result of or has evolved from normal wear, misapplication, abuse/misuse, improper modifications or storage, shipping/transport, accidents, neglect, operation at other than recommended speeds or voltage (electric units only);
- any imperfection that is a result of or has evolved from explosions, fires and natural disasters, like hurricanes, floods and earthquakes;
- Any imperfection that is a result of or has evolved from not following operating instructions, specifications and / or maintenance schedules. Read the Operator Manual for use, specifications and maintenance instructions;
- Any imperfection that is caused by repairs, modifications to the product or attempts to do so by the end user or any third party;
- Labour charges or loss or damage resulting from improper operation, maintenance or repairs are not covered by this warranty
- Any warranty claims that have been received after the warranty period, as specified in this end user warranty, has expired.

- 1.9 Additional costs like shipping/transport, special packaging requirements and costs of travel and accommodation, are at the end users expense.

- 1.10 If a complaint is unfounded, all costs incurred thereby, including handling, inspection, shipping and administrative costs on the side of Senco or its distributors, will be charged to the end user.

- 1.11 After expiration of the warranty period, all costs for repair or replacement, including handling, inspection, shipping and administrative costs will be charged to the end user.

- 1.12 Notwithstanding legal limitation periods, the limitation of all claims and appeals against Senco and third parties involved by Senco for the implementation of the agreement is one year.

- 1.13 If Senco fails to meet this agreement, it will not discharge the end user from the obligations arising under this or any other contract.

- 1.14 When the warranty terms can not be met, due to for example import or export prohibitions, strikes or other unforeseen circumstances, the warranty period will be extended accordingly.

- 1.15 Senco's liability is limited to the warranty. Senco is not liable for damage caused by the functioning or non-functioning of the products as delivered, repaired or modified by Senco or its distributors, including but not limited to, production losses, profit losses, reduced working range, commercial losses or consequential damages or indirect damages whatsoever.