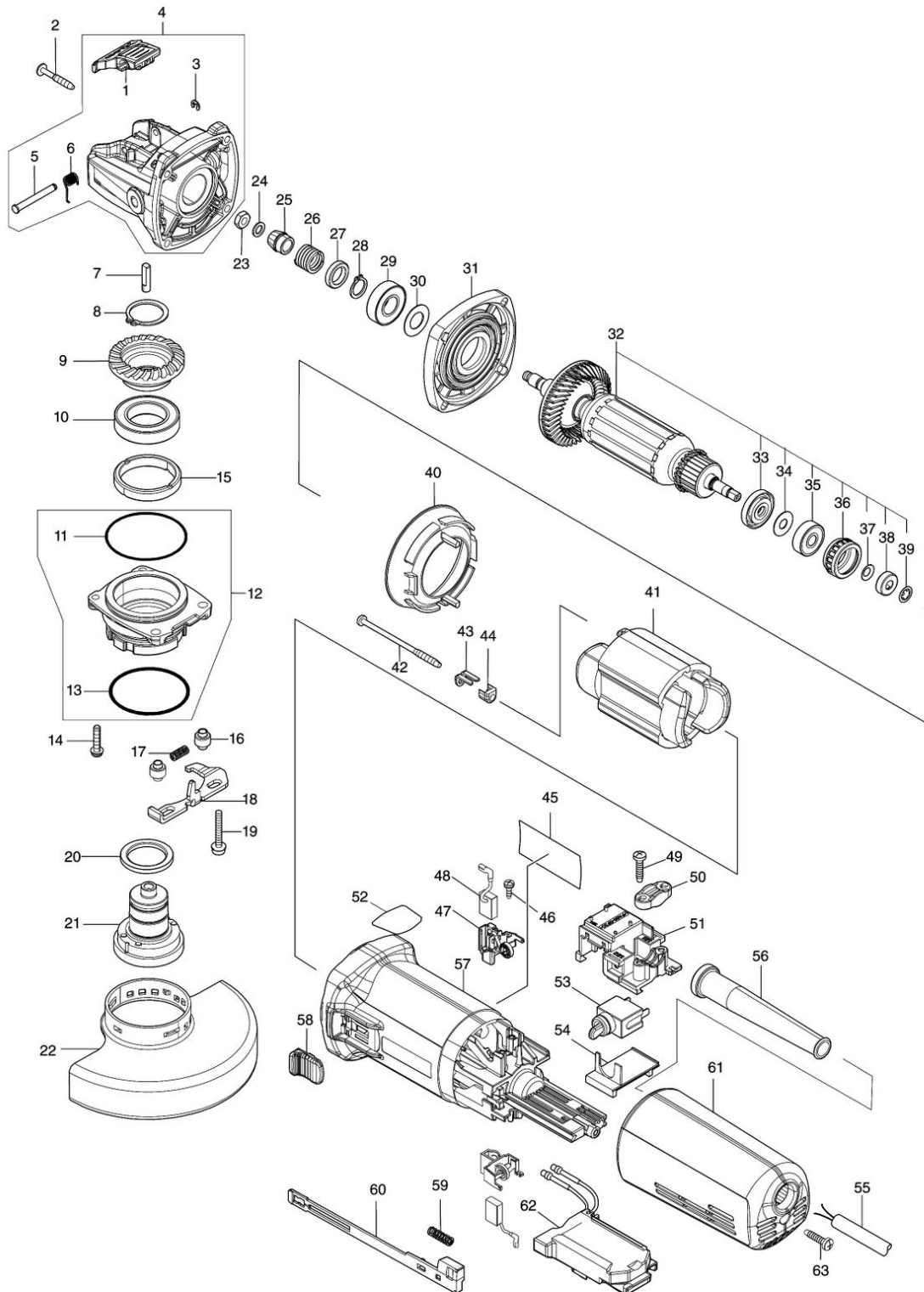


Partdrawing for GA5080RX02 - Haakse slijper



Model No.GA5080R 125MM ANGLE GRINDER



Partdrawing for GA5080RX02 - Haakse slijper



Nr.	Part nr.	Name
-----	----------	------