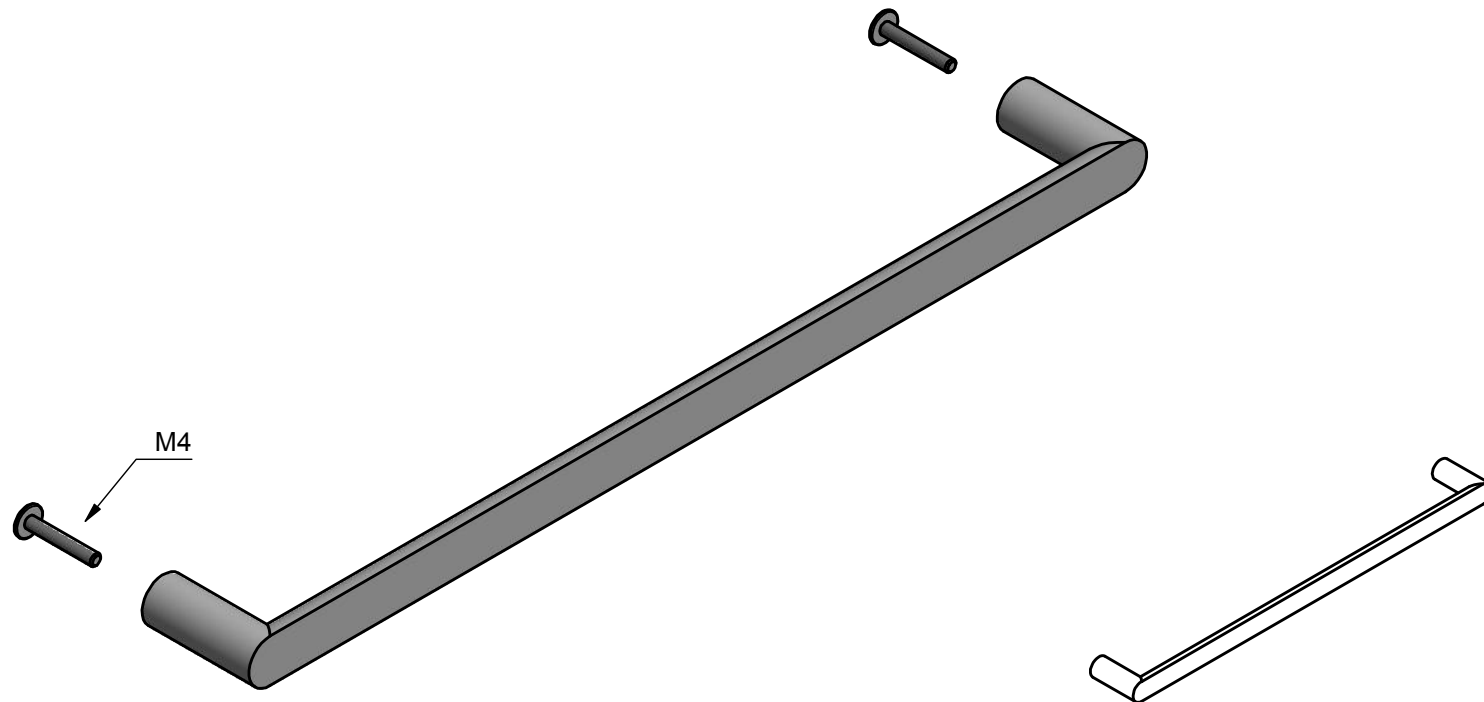
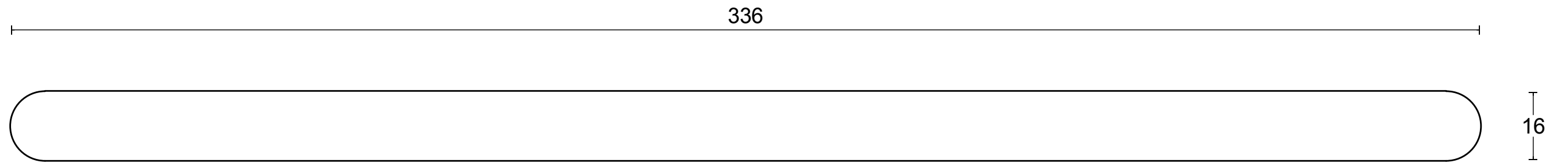
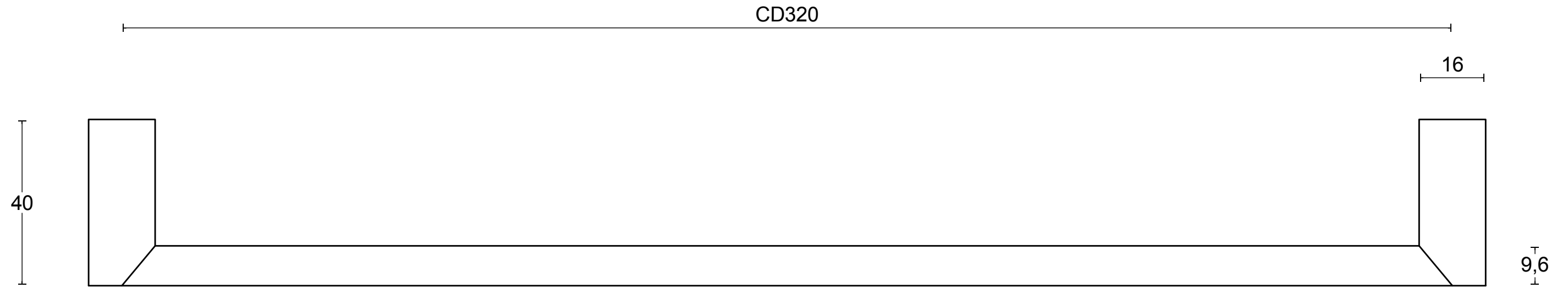


# PBA16/320

solid cabinet handle  
stainless steel



FORMANI®		Part number:	
		Description:	
Doc no.: 3704M002 PBA16320 V01.dwg	PBA16/320		Format:
Drawn by: Christian Brimbois   Creation date: 5-10-2018			A3
FORMANI HOLLAND B.V. EUROPALAAN 12 6199 AB MAASTRICHT-AIRPORT NL T +31 (0)43 308 90 00 INFO@FORMANI.COM FORMANI.COM			